



US00D801232S

(12) **United States Design Patent**
Menichini

(10) **Patent No.:** **US D801,232 S**

(45) **Date of Patent:** **** Oct. 31, 2017**

(54) **WHEELCHAIR**

(71) Applicant: **ORMESA S.R.L.**, Foligno (PG) (IT)

(72) Inventor: **Luigi Menichini**, Foligno (IT)

(73) Assignee: **ORMESA S.R.L.**, Foligno (PG) (IT)

(**) Term: **15 Years**

(21) Appl. No.: **29/580,795**

(22) Filed: **Oct. 13, 2016**

(51) **LOC (10) Cl.** **12-12**

(52) **U.S. Cl.**
USPC **D12/131; D12/128**

(58) **Field of Classification Search**
USPC D12/128-133
CPC A61G 5/00-5/14; A61G 5/04; A61G
5/041-5/047; A61G 2005/048
See application file for complete search history.

(56) **References Cited**

U.S. PATENT DOCUMENTS

- D397,645 S * 9/1998 Schaffner D12/131
- D413,554 S * 9/1999 Schlangen D12/131

- D455,377 S * 4/2002 Suiter D12/131
- D475,952 S * 6/2003 Nelson D12/131
- D494,110 S * 8/2004 Cheng D12/131
- D604,208 S * 11/2009 Perk D12/131
- D621,307 S * 8/2010 Kagi D12/131
- D627,270 S * 11/2010 Kretschmer D12/131

* cited by examiner

Primary Examiner — Charles Hanson

(74) *Attorney, Agent, or Firm* — Egbert Law Offices,
PLLC

(57) **CLAIM**

The ornamental design for a wheelchair, as shown and described.

DESCRIPTION

FIG. 1 is a perspective view of a wheelchair showing my new design.

FIG. 2 is a front view thereof;

FIG. 3 is a rear view thereof;

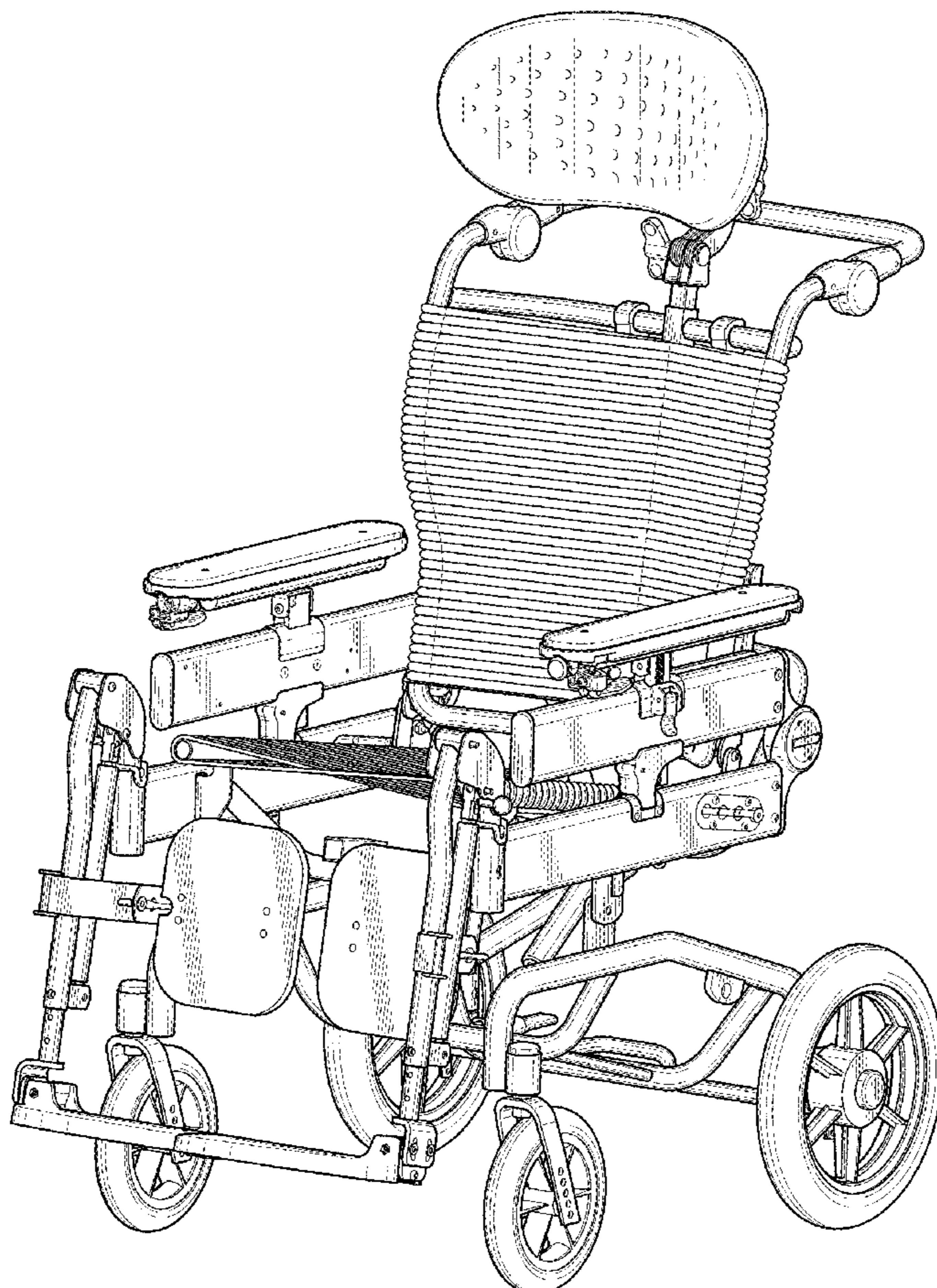
FIG. 4 is a side view thereof;

FIG. 5 is an opposite side view thereof;

FIG. 6 is a top view thereof; and,

FIG. 7 is a bottom view thereof.

1 Claim, 7 Drawing Sheets



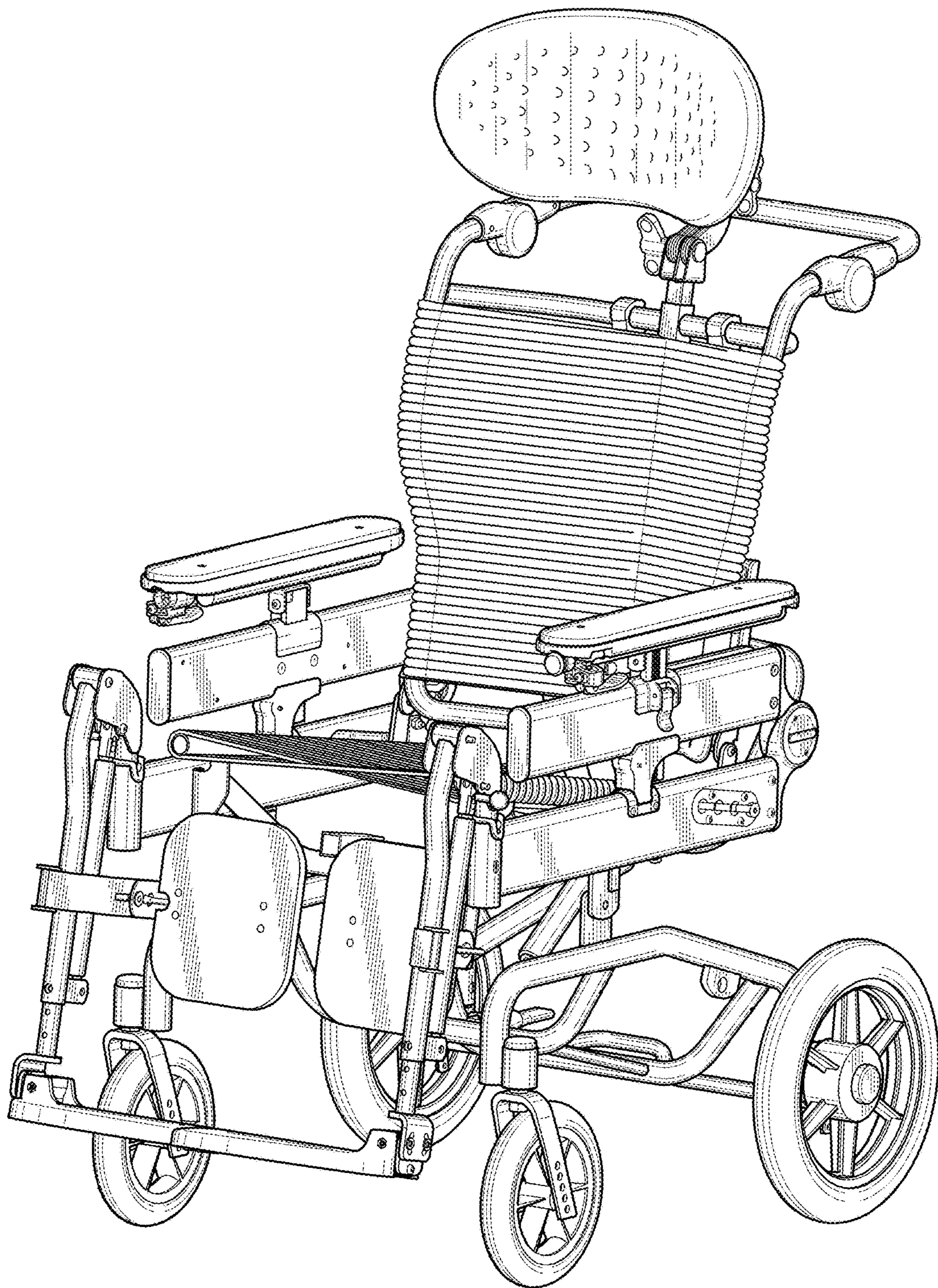


FIG. 1

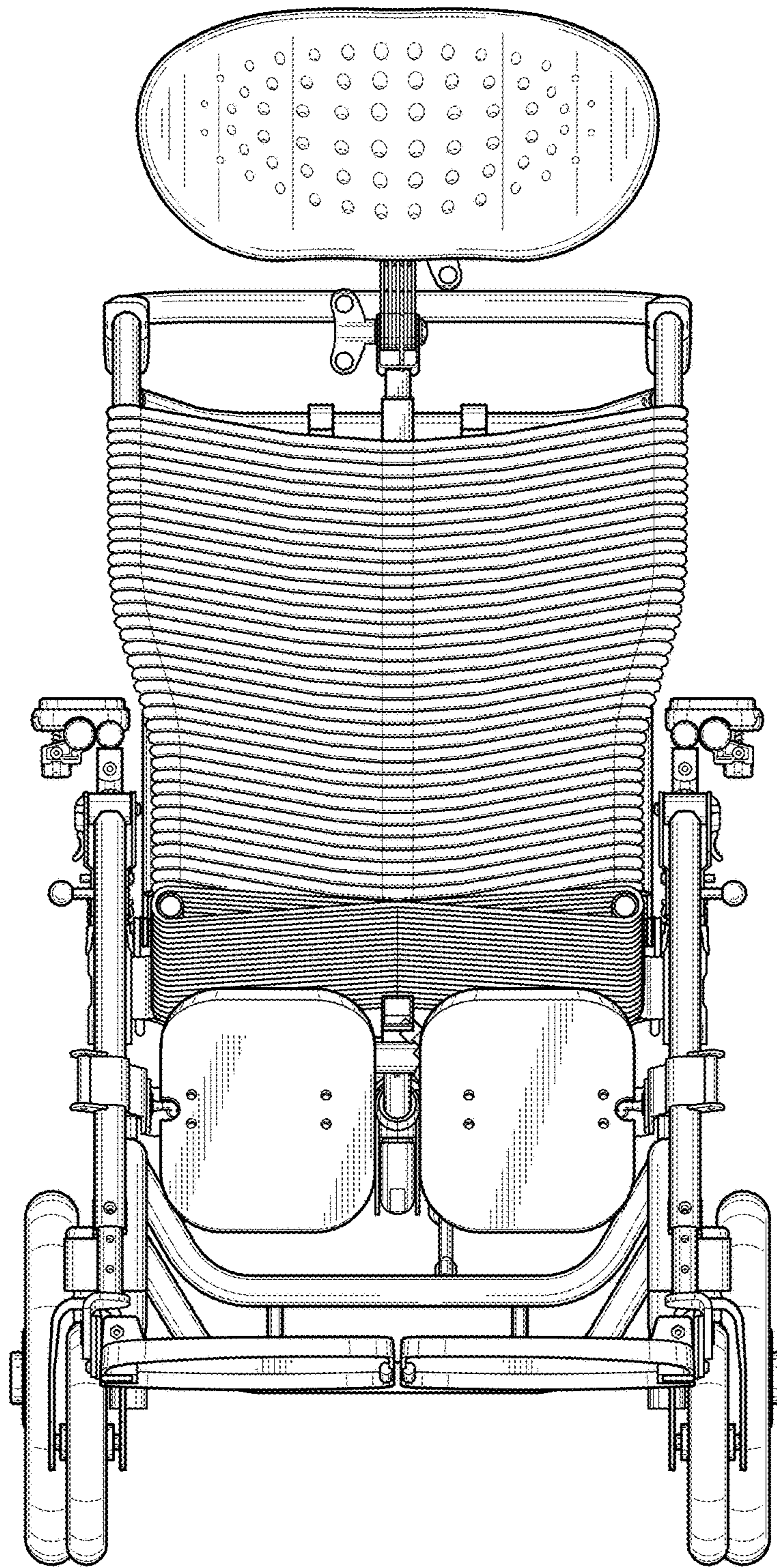


FIG. 2

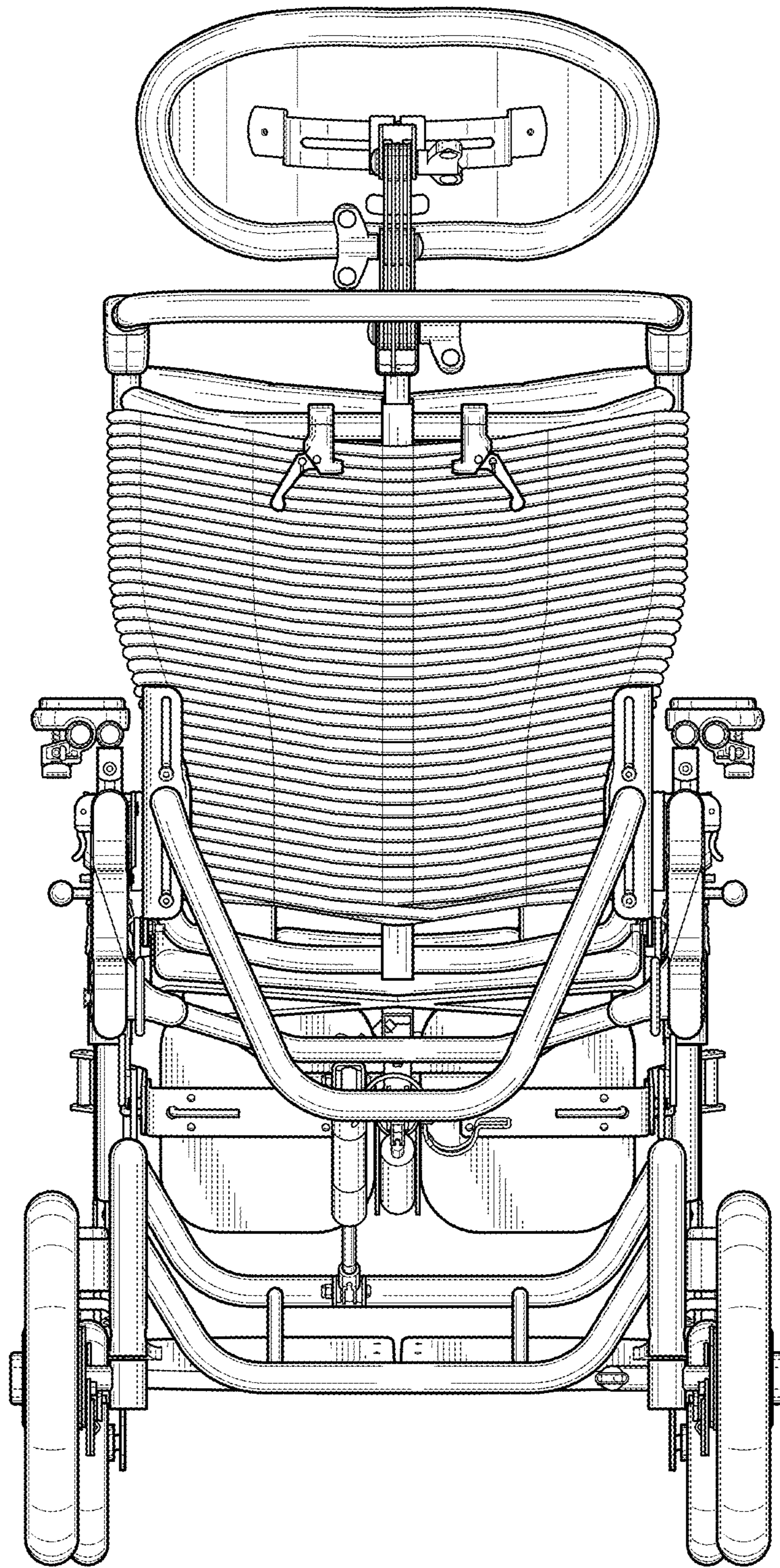


FIG. 3

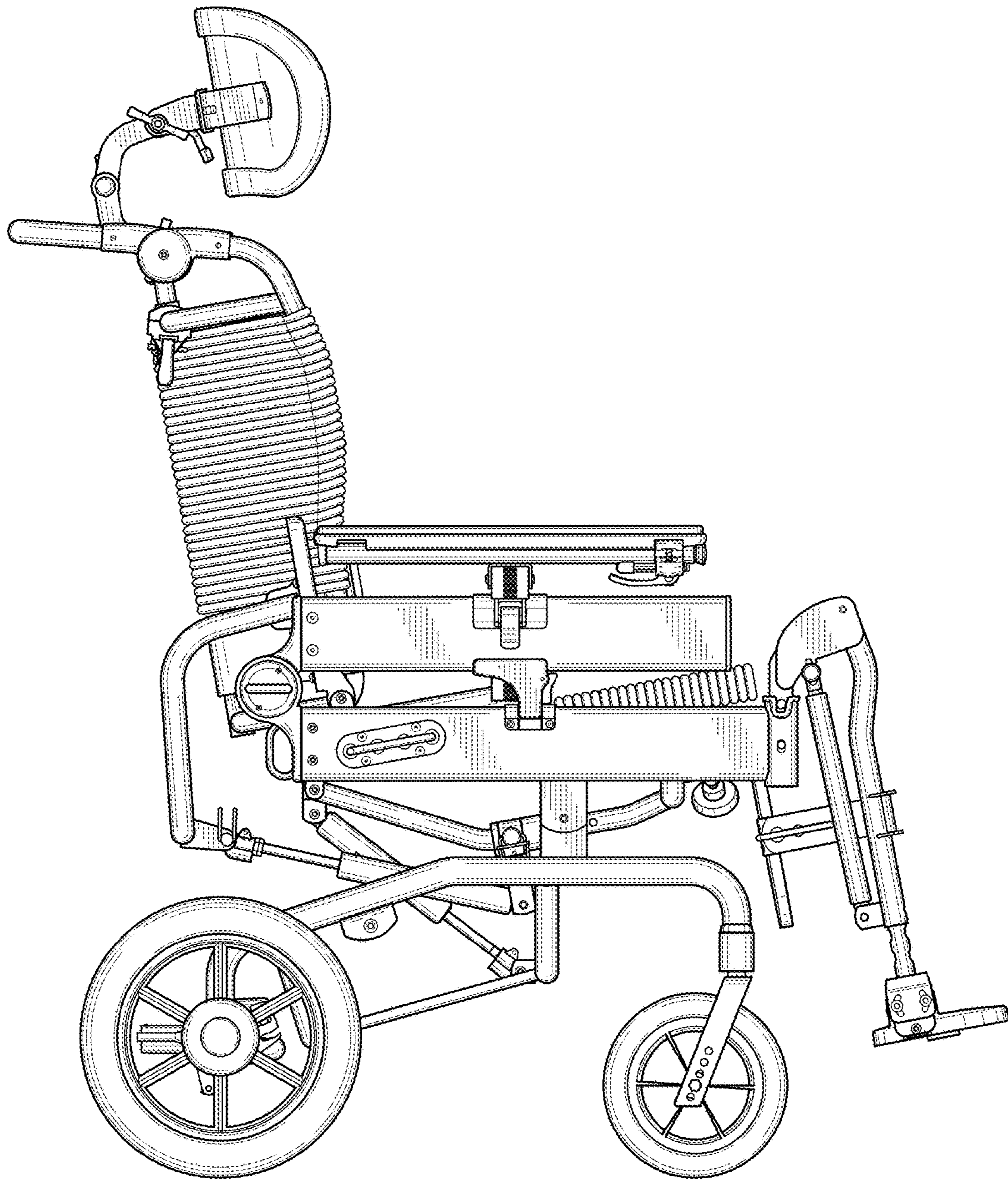


FIG. 4

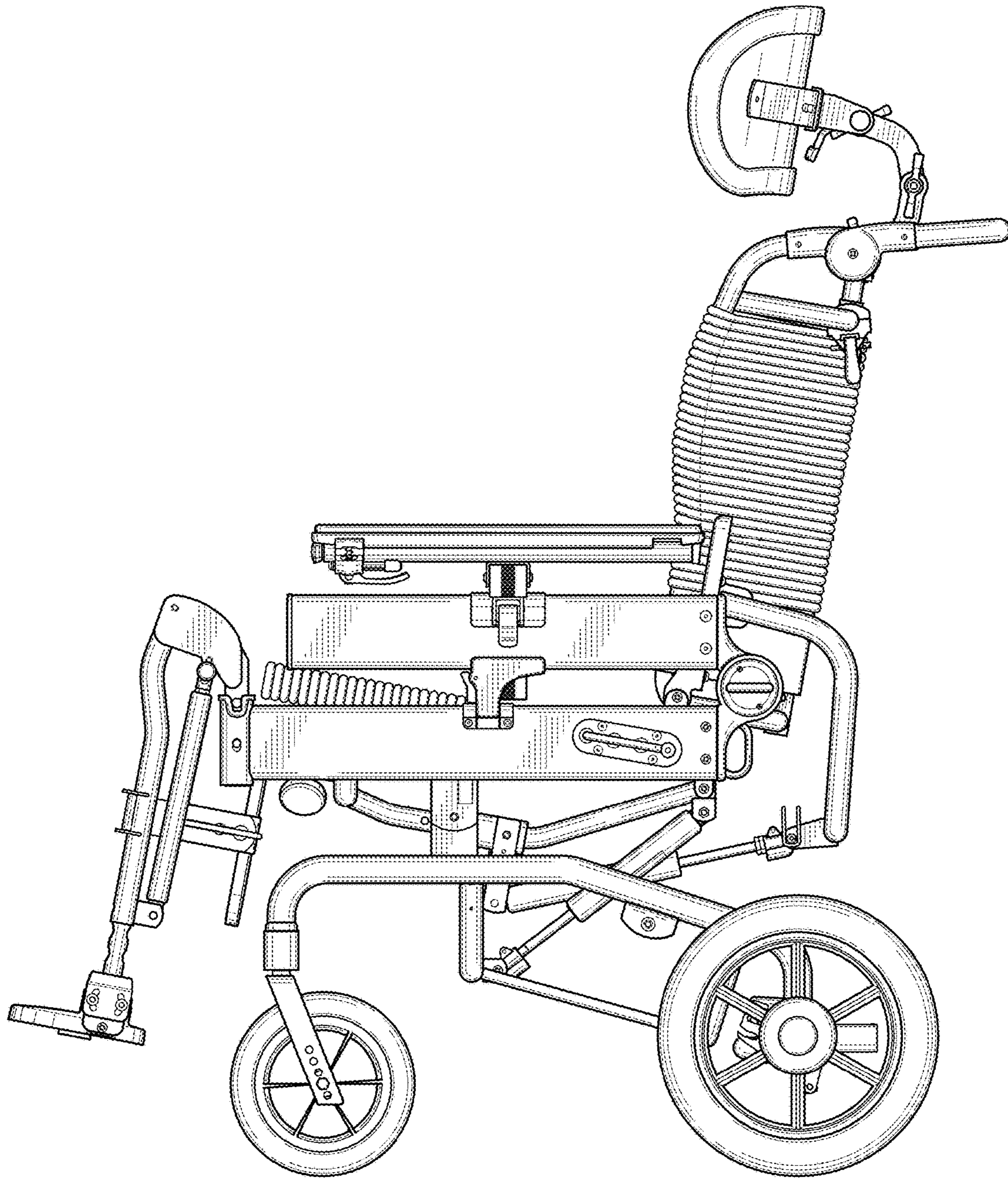


FIG. 5

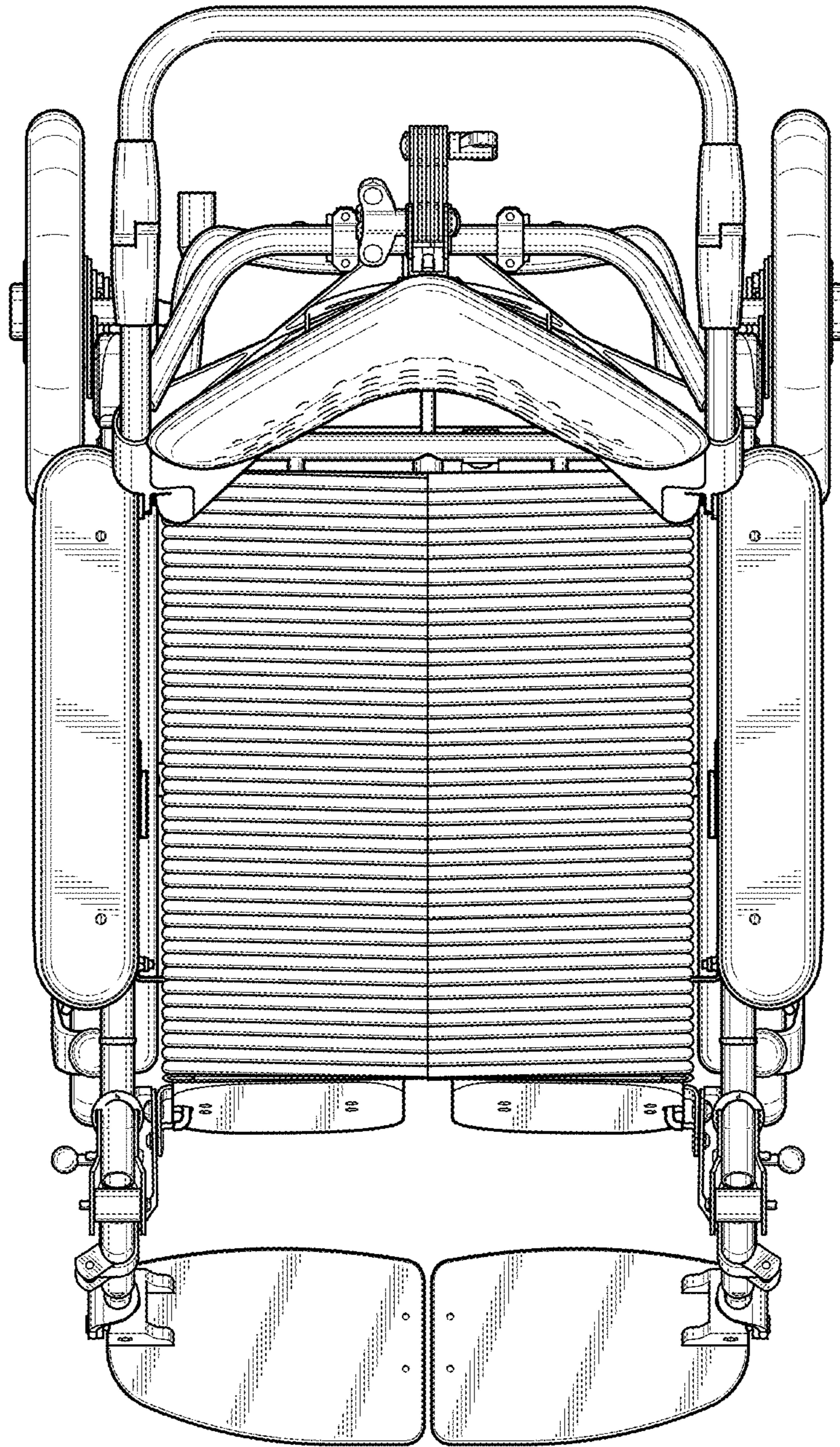


FIG. 6

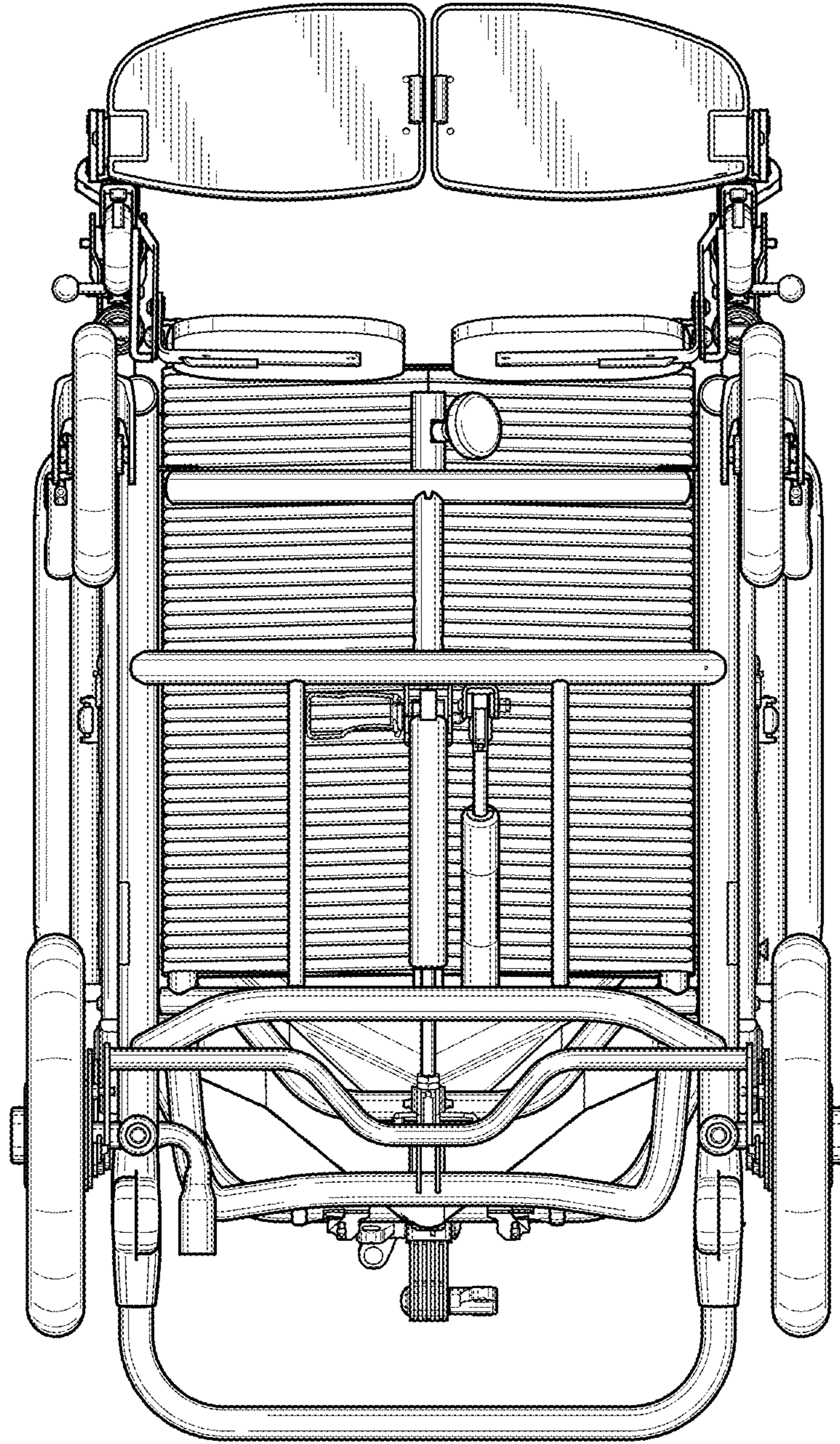


FIG. 7