



US00D801229S

(12) **United States Design Patent**
Brock

(10) **Patent No.:** **US D801,229 S**

(45) **Date of Patent:** **** Oct. 31, 2017**

- (54) **TRAILER**
- (71) Applicant: **Aerovault, LLC**, Henderson, NV (US)
- (72) Inventor: **Peter Elbert Brock**, Henderson, NV (US)
- (**) Term: **15 Years**
- (21) Appl. No.: **29/558,287**
- (22) Filed: **Mar. 16, 2016**

D603,299 S *	11/2009	Prusmack	D12/102
D625,666 S *	10/2010	Treleaven	D12/102
D653,588 S *	2/2012	Heard	D12/102
D659,595 S *	5/2012	Eliason	D12/102
D664,072 S *	7/2012	Halloran	D12/102
D737,725 S *	9/2015	Bell	D12/102
D759,546 S *	6/2016	Van Wyk	D12/102
D759,547 S *	6/2016	Van Wyk	D12/102
D759,548 S *	6/2016	Swartz	D12/105
D782,938 S *	4/2017	Cohen	D12/93

* cited by examiner

Primary Examiner — Katrina A Betton

(74) *Attorney, Agent, or Firm* — FisherBroyles, LLP; Rob L. Phillips

Related U.S. Application Data

- (63) Continuation of application No. 15/001,032, filed on Jan. 19, 2016.
- (51) **LOC (10) Cl.** **12-10**
- (52) **U.S. Cl.**
USPC **D12/102**
- (58) **Field of Classification Search**
USPC D12/100–106, 19, 129, 111–112;
D21/425, 435; D34/21–26, 12, 16–19
CPC B60P 3/0257; B60P 3/1033
See application file for complete search history.

(57) **CLAIM**

The ornamental design for a trailer, as shown and described.

DESCRIPTION

FIG. 1 illustrates a perspective view of a trailer;
 FIG. 2 illustrates a front view of the trailer;
 FIG. 3 illustrates a right side view of the trailer;
 FIG. 4 illustrates a left side view of the trailer;
 FIG. 5 illustrates a rear view of the trailer;
 FIG. 6 illustrates a top down view of the trailer; and,
 FIG. 7 illustrates an underside view of the trailer.
 In the drawings, the broken lines depict portions of the article that form no part of the claimed design.

(56) **References Cited**

U.S. PATENT DOCUMENTS

D309,124 S *	7/1990	Young	D12/102
D357,214 S *	4/1995	McCaffrey	D12/105
D580,071 S *	11/2008	Evans	D25/10

1 Claim, 3 Drawing Sheets

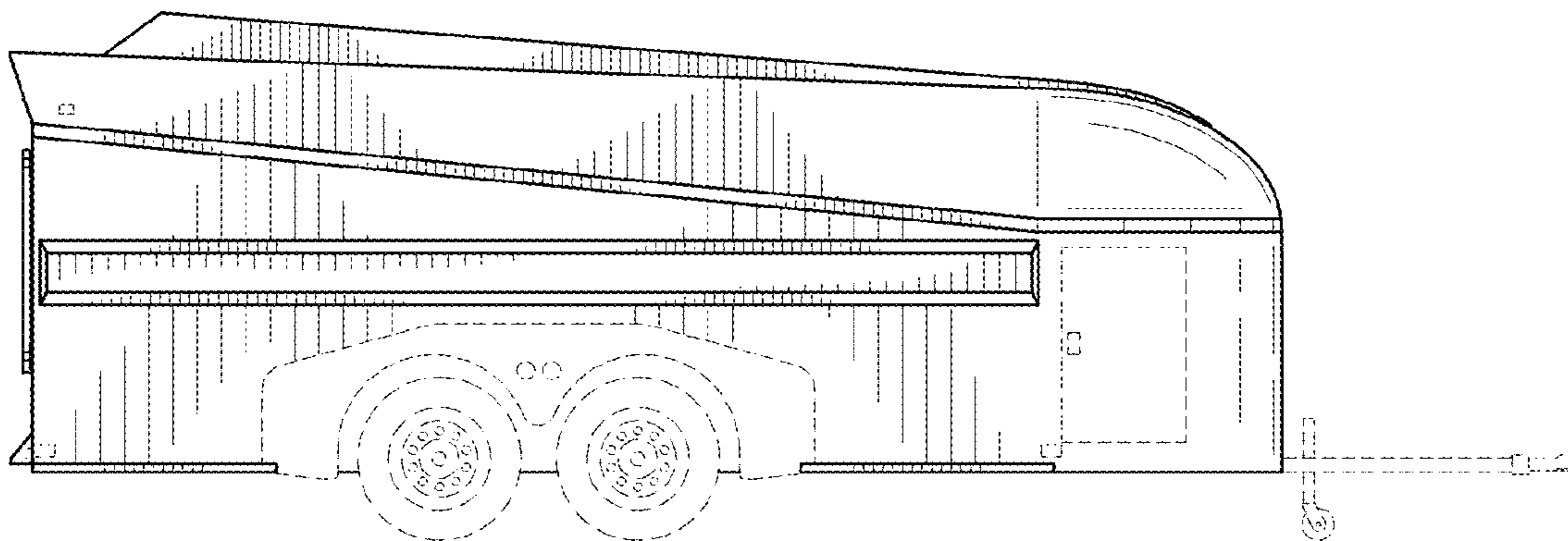


FIG. 1

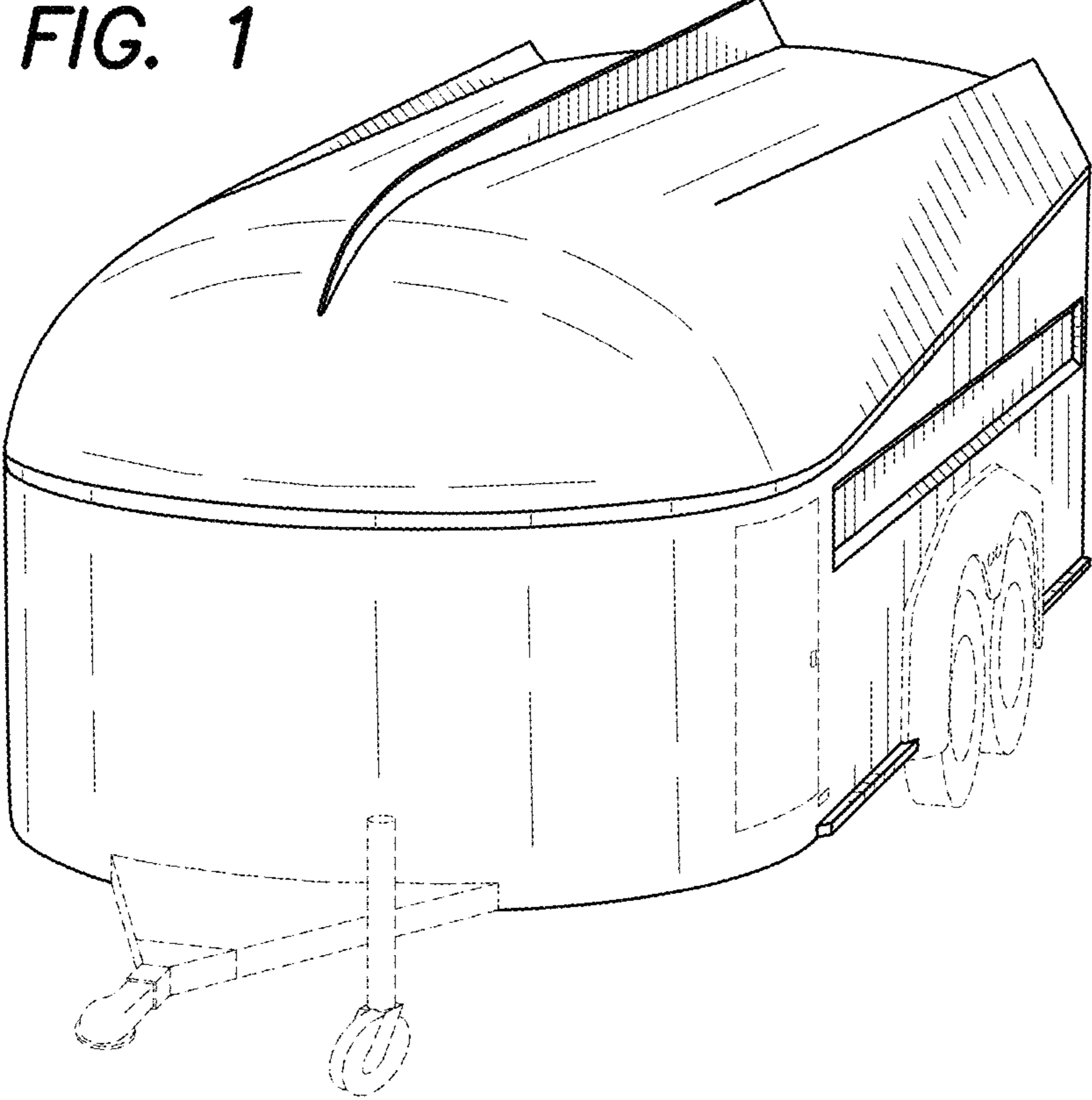
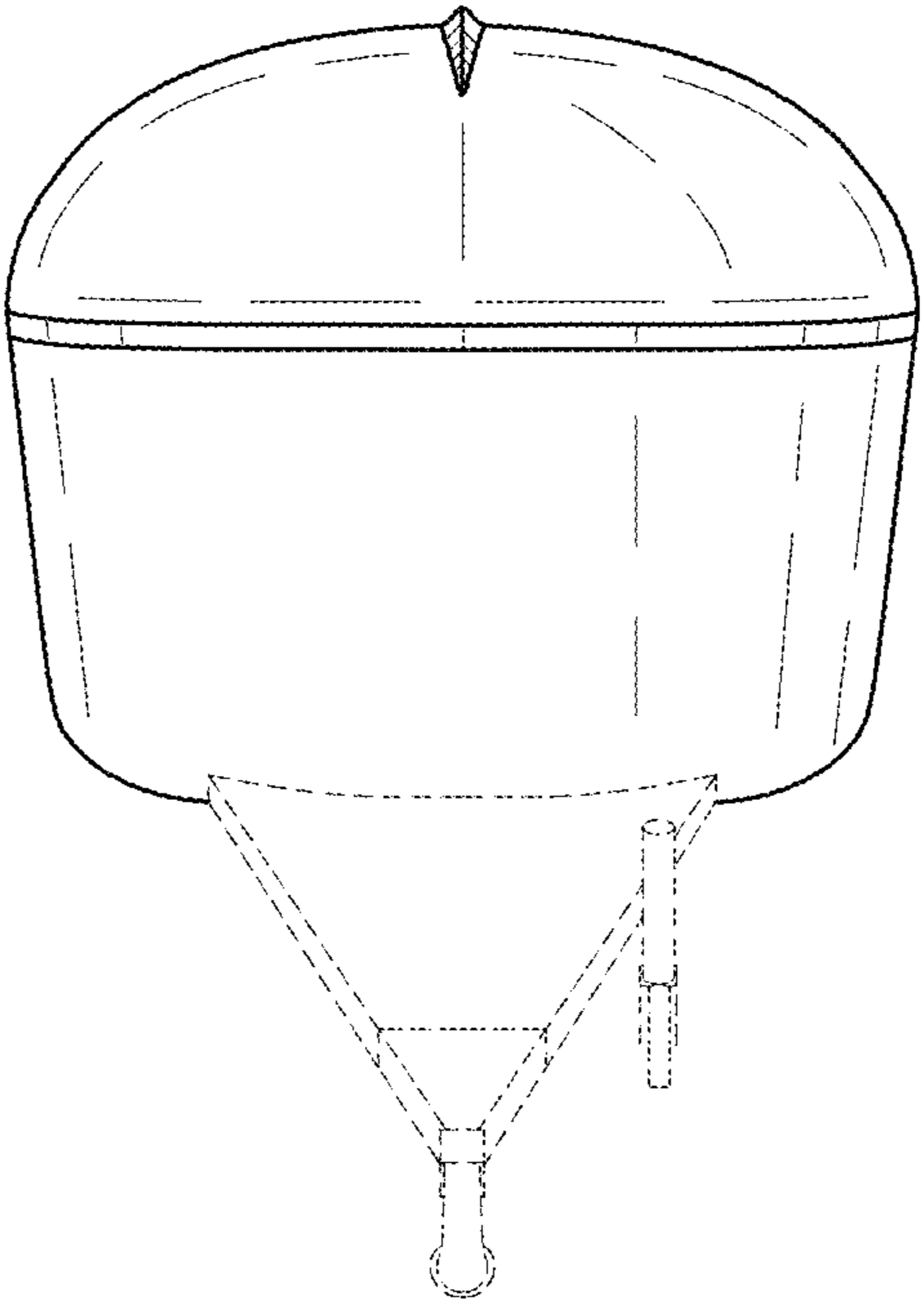


FIG. 2



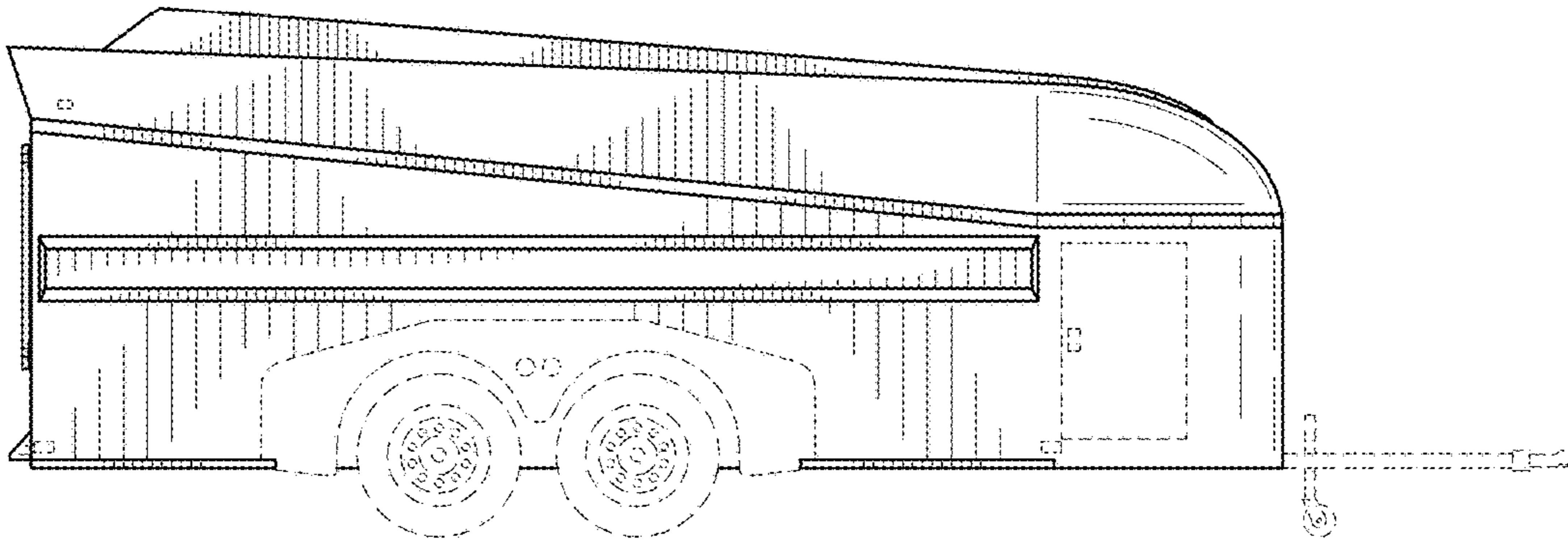


FIG. 3

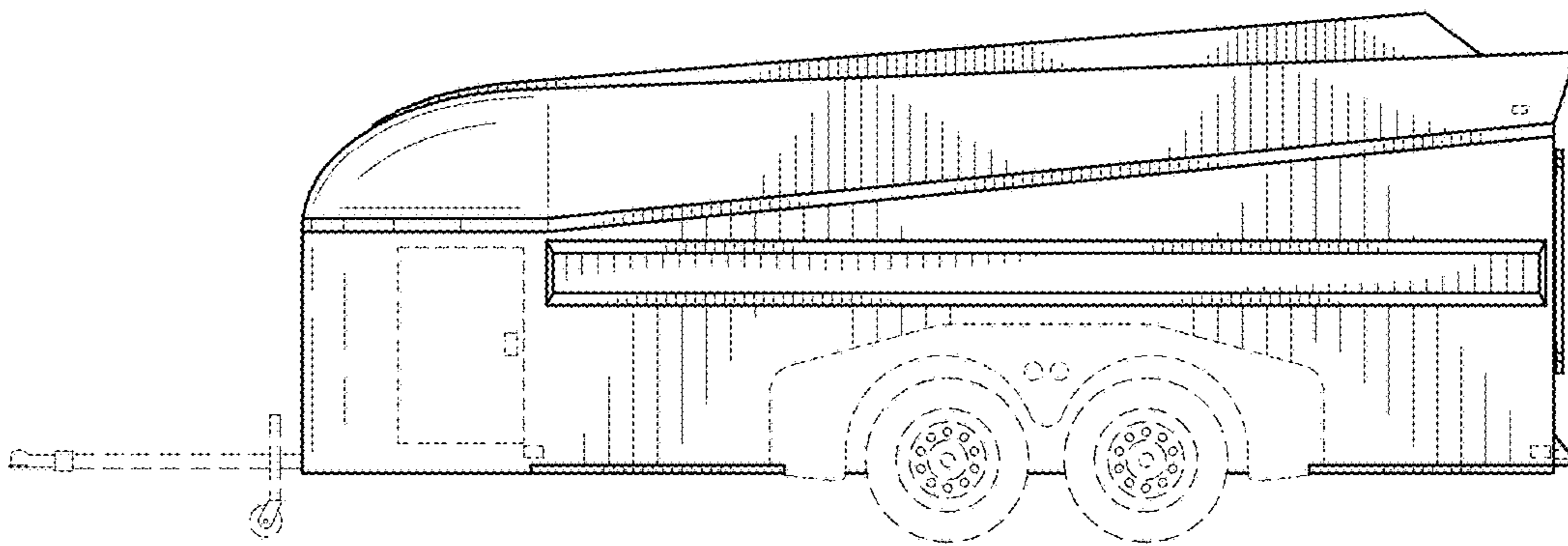


FIG. 4

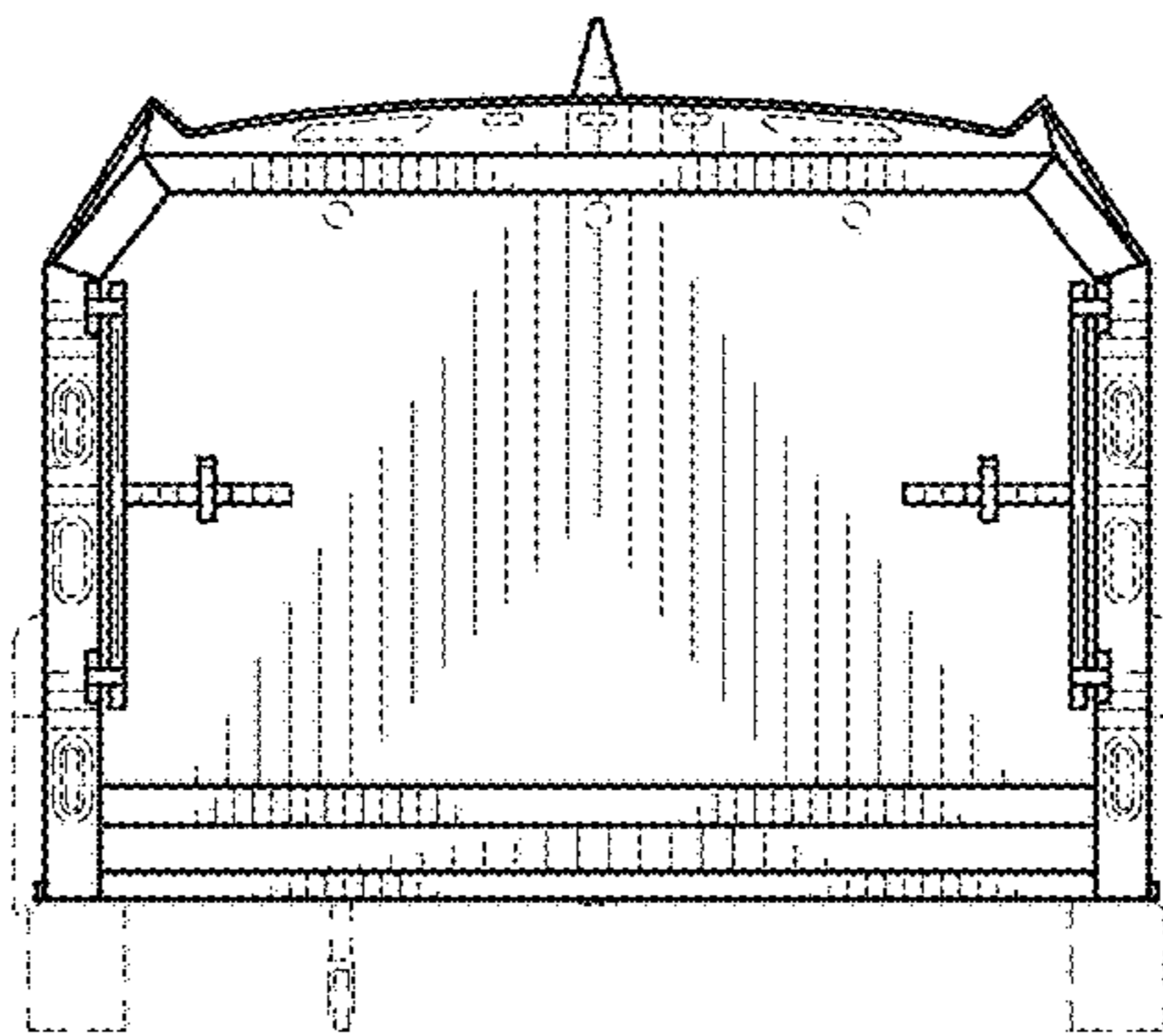


FIG. 5

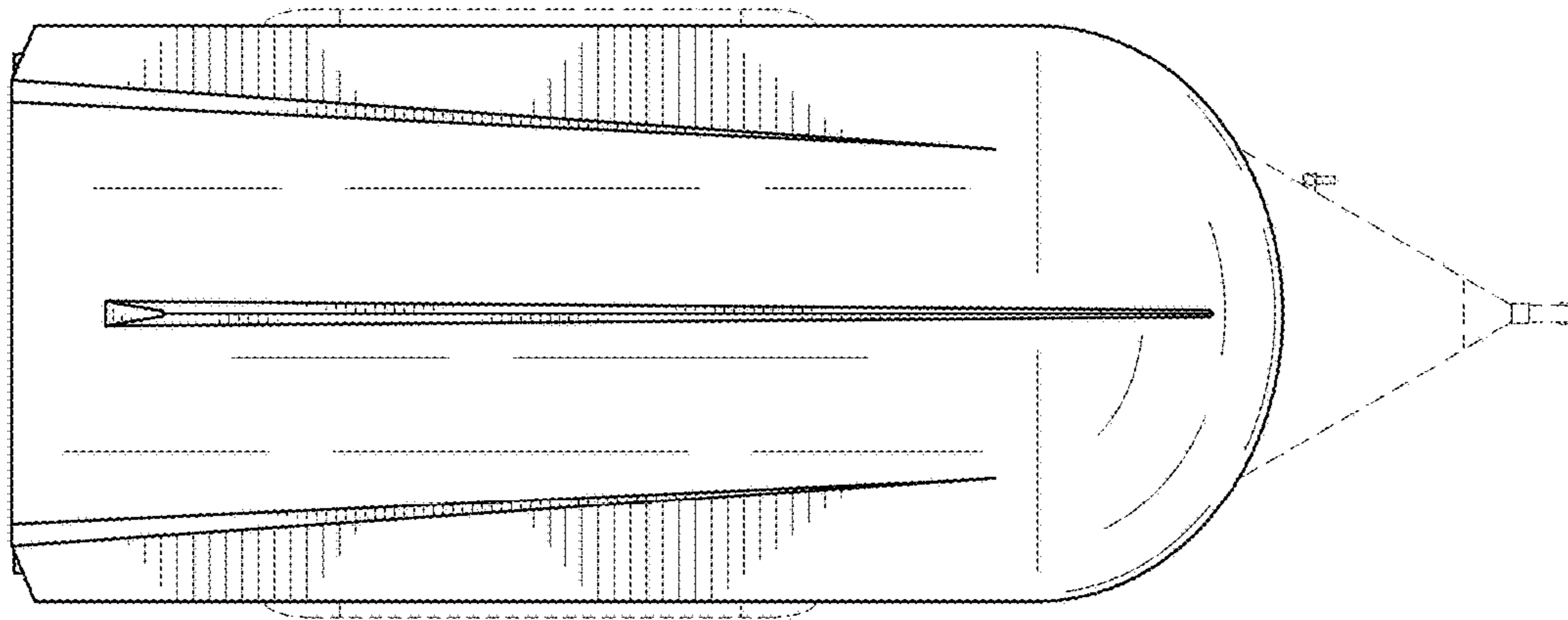


FIG. 6

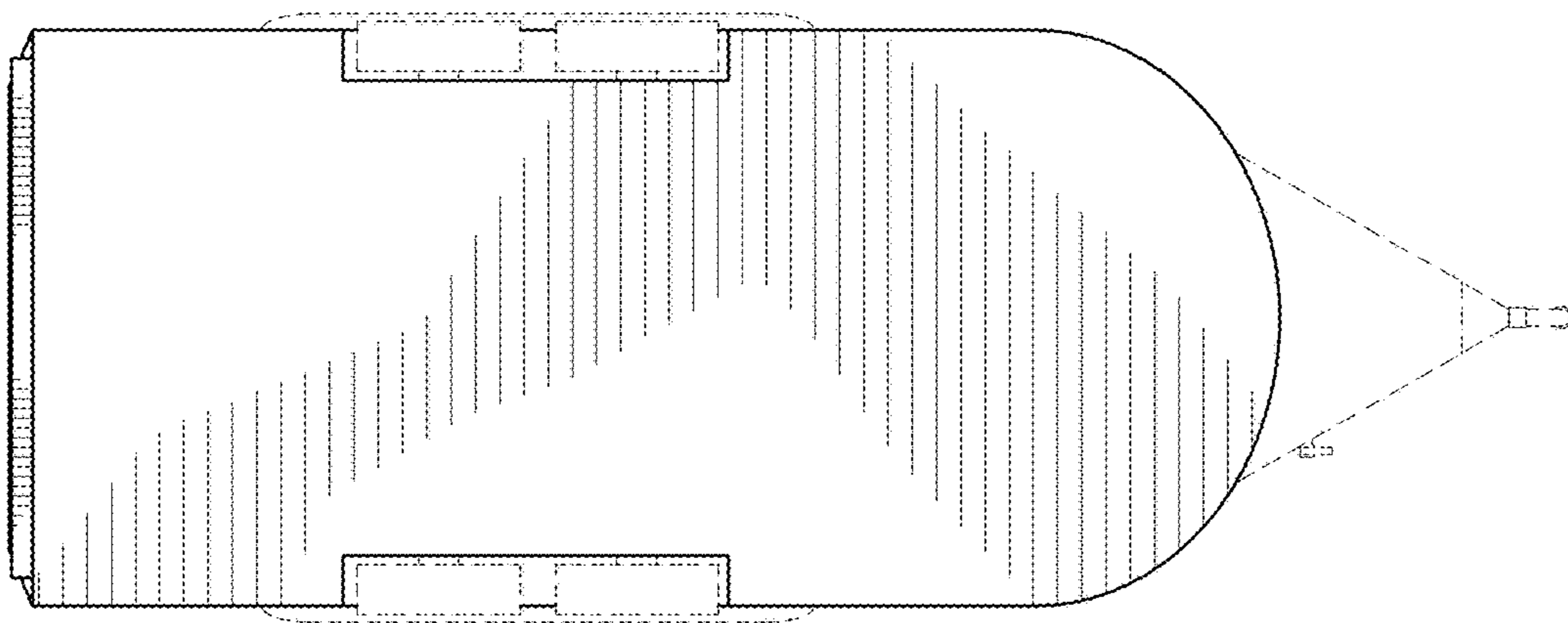


FIG. 7