



US00D801226S

(12) **United States Design Patent**  
**Dyavanapalli**

(10) **Patent No.:** **US D801,226 S**  
(45) **Date of Patent:** **\*\* Oct. 31, 2017**

(54) **GAUGE FACE LUBRICATION BAR**

OTHER PUBLICATIONS

(71) Applicant: **Loram Maintenance of Way, Inc.,**  
Hamel, MN (US)

<http://www.lincolnindustrial.com/products/raillubrication/freightline.aspx> Retrieved Feb. 13, 2017.\*

(Continued)

(72) Inventor: **Venkat Dyavanapalli,** Glendale  
Heights, IL (US)

*Primary Examiner* — Susan Bennett Hattan  
*Assistant Examiner* — Leanne Was-Englehart

(73) Assignee: **Loram Maintenance of Way, Inc.,**  
Hamel, MN (US)

(74) *Attorney, Agent, or Firm* — Patterson Thuent  
Pedersen, P.A.

(\*\*) Term: **15 Years**

(57) **CLAIM**

I claim the ornamental design for gauge face lubrication bar,  
as shown and described.

(21) Appl. No.: **29/537,819**

**DESCRIPTION**

(22) Filed: **Aug. 28, 2015**

(51) **LOC (10) Cl.** ..... **12-03**

(52) **U.S. Cl.**  
USPC ..... **D12/49**

(58) **Field of Classification Search**  
USPC ..... D8/32, 349, 354, 363; D12/42, 49, 50,  
D12/414; D25/61, 119, 136, 164;  
D34/28, 29; 29/402.8; 184/3.1  
CPC ..... B61K 3/00; Y10T 29/4973  
See application file for complete search history.

FIG. 1 is a top, perspective view of a gauge face lubrication bar illustrating use in a rail environment including a first end and a second end. Features of the first end repeated on the second end.

FIG. 2 is a perspective view of the first end of the gauge face lubrication bar depicted in FIG. 1.

FIG. 3 is a left end view of the gauge face lubrication bar depicted in FIG. 1.

FIG. 4 is a right end view of the gauge face lubrication bar depicted in FIG. 1.

FIG. 5 is a front view of the first end of the gauge face lubrication bar depicted in FIG. 1.

FIG. 6 is a top view of the first end of the gauge face lubrication bar depicted in FIG. 1.

FIG. 7 is a rear view of the first end of the gauge face lubrication bar depicted in FIG. 1; and,

FIG. 8 is a bottom view of the first end of the gauge face lubrication bar depicted in FIG. 1.

The broken line showing of surrounding rail and clamp structures are for the purpose of illustrating environmental structure and form no part of the claimed invention. The gauge face lubrication bar is shown with break lines indicating a symbolic break in its length. The appearance of any portion of the article between the break lines forms no part of the claimed invention.

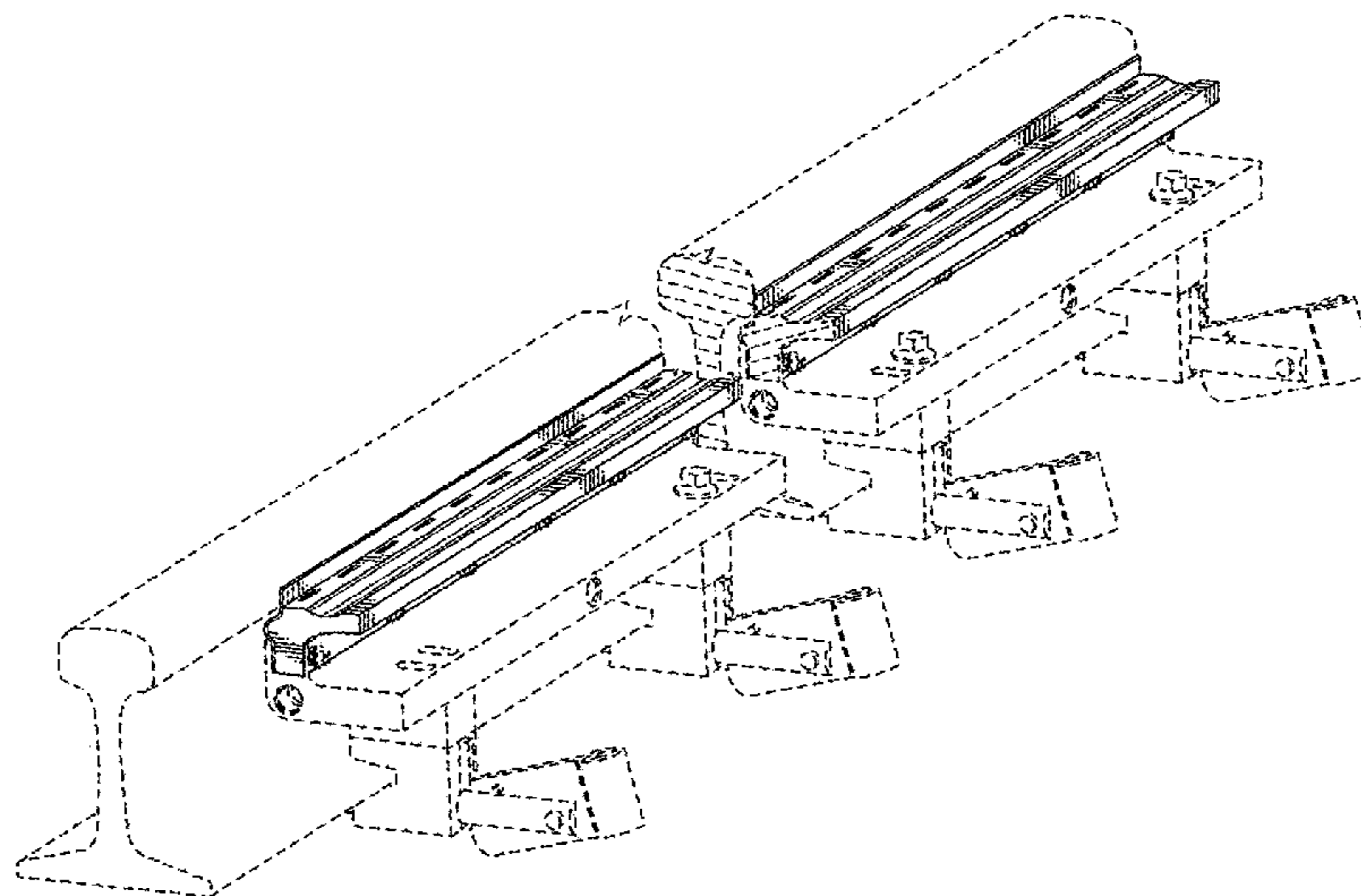
(56) **References Cited**

U.S. PATENT DOCUMENTS

3,015,370	A *	1/1962	McWilliams	.....	B61K 3/00
					184/3.1
3,730,310	A *	5/1973	Spiringer	.....	B60M 1/302
					191/29 DM
D252,070	S *	6/1979	Schindele	.....	D25/38.1
D257,337	S *	10/1980	Black	.....	D12/317
4,585,214	A	4/1986	Cope		
D301,435	S *	6/1989	Martin	.....	D12/49
4,962,914	A	10/1990	Taylor		
D486,248	S *	2/2004	Sudano	.....	D25/119
D489,137	S *	4/2004	Eichner	.....	D25/119

(Continued)

**1 Claim, 4 Drawing Sheets**



(56)

References Cited

U.S. PATENT DOCUMENTS

D489,464 S 5/2004 Barnett  
D505,210 S \* 5/2005 Eichner ..... D25/119  
D535,404 S 1/2007 Bordewyk et al.  
D546,479 S \* 7/2007 Aughton ..... D25/119  
D546,974 S 7/2007 Aughton et al.  
D547,883 S 7/2007 Aughton et al.  
D547,884 S 7/2007 Aughton et al.  
D547,885 S 7/2007 Aughton et al.  
7,273,131 B2 9/2007 Urmson, Jr. et al.  
D638,778 S 5/2011 Giddens  
8,074,772 B2 \* 12/2011 Urmson, Jr. .... B61K 3/00  
184/3.1  
D666,320 S 8/2012 Morton  
D666,322 S 8/2012 Morton  
D666,324 S 8/2012 Morton  
D666,742 S 9/2012 Wiesemann  
D674,122 S 1/2013 Sims  
D674,513 S 1/2013 Liu  
D708,353 S 7/2014 Oetlinger  
8,795,106 B2 8/2014 Guertin  
D721,989 S \* 2/2015 Behrens ..... D12/49  
2009/0146436 A1 6/2009 Lindgren et al.  
2010/0300810 A1 \* 12/2010 Singleton ..... E01B 7/26  
184/3.1

OTHER PUBLICATIONS

Office Action dated Feb. 15, 2016 for Canadian Application No. 165508, 11 pages.

\* cited by examiner

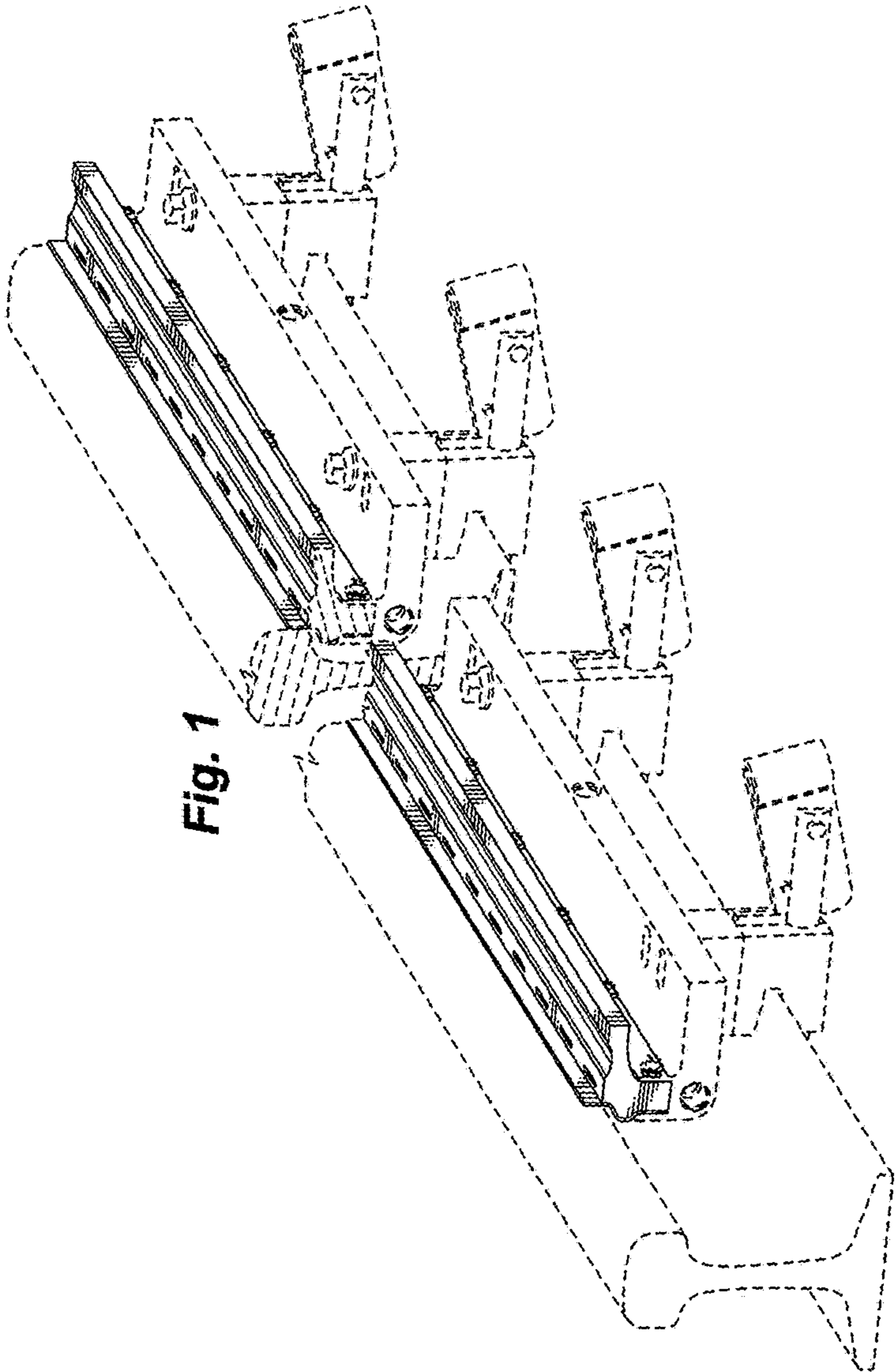


Fig. 1

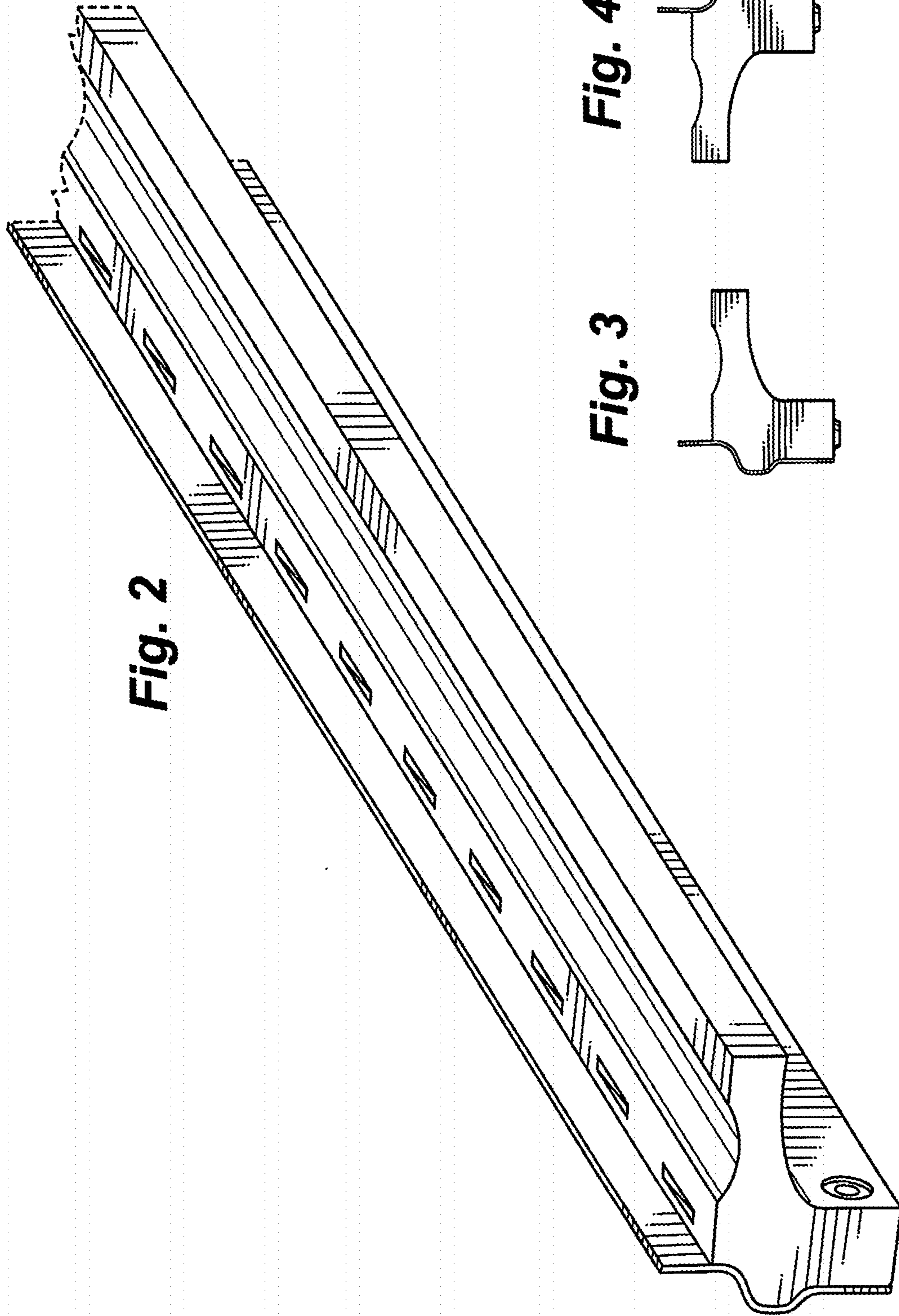


Fig. 4

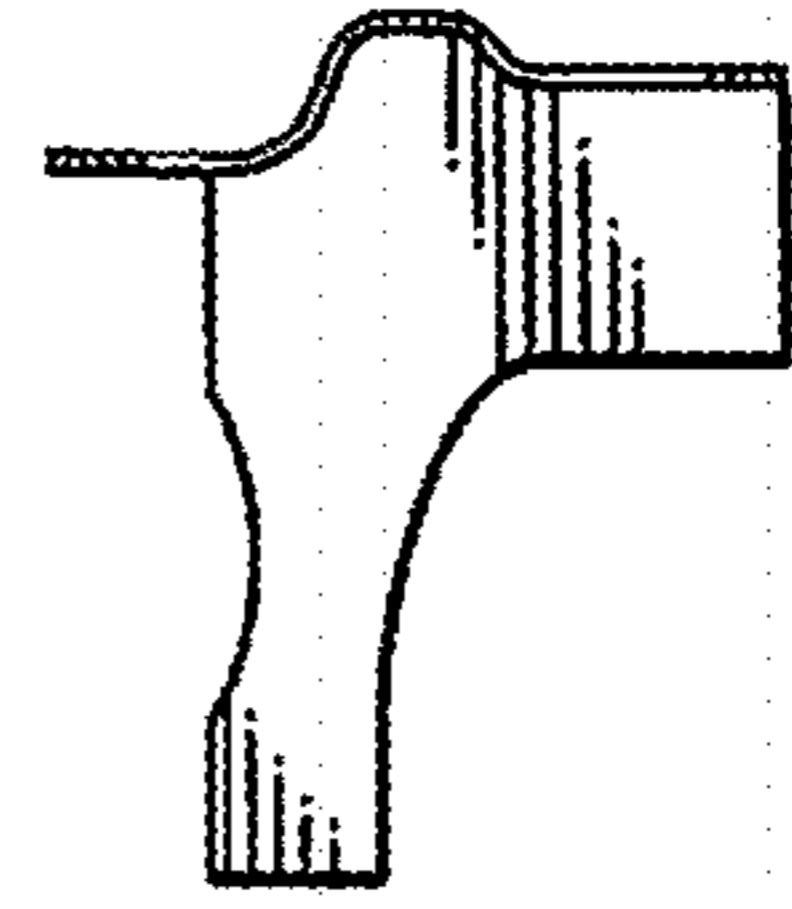
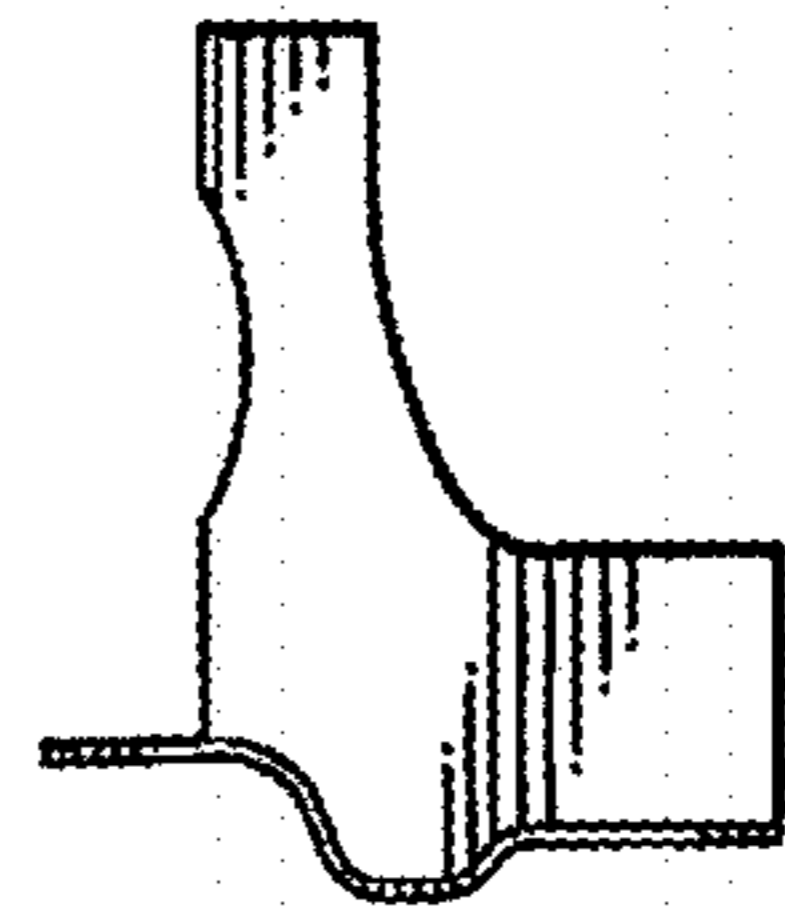
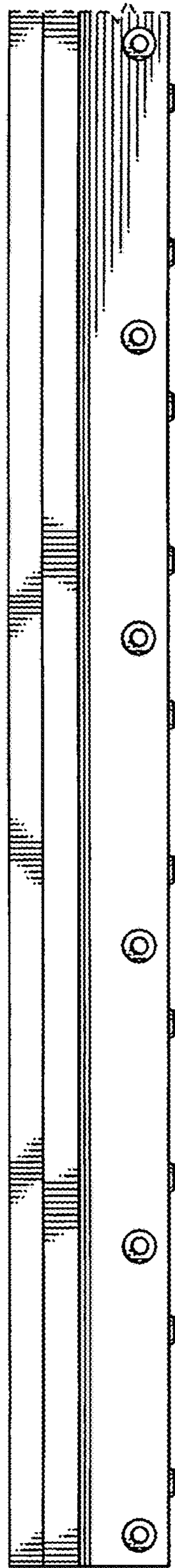
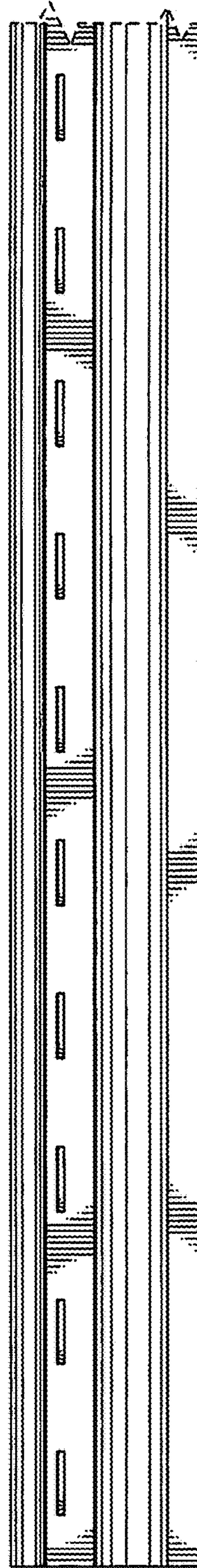


Fig. 3



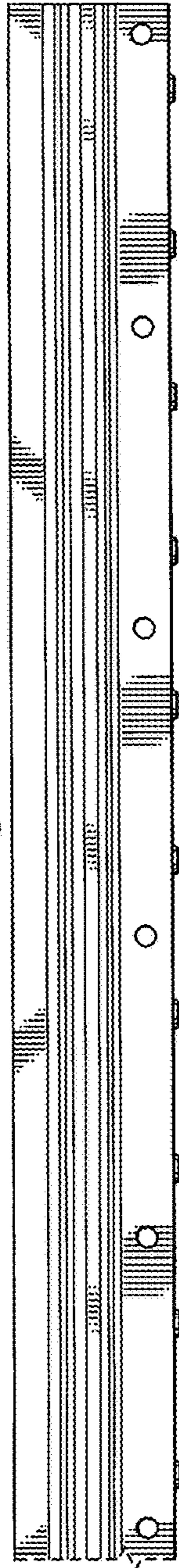


**Fig. 5**



**Fig. 6**

**Fig. 7**



**Fig. 8**

