



US00D801223S

(12) **United States Design Patent**  
**Hsiao et al.**

(10) **Patent No.:** **US D801,223 S**  
(45) **Date of Patent:** **\*\* Oct. 31, 2017**

(54) **MULTI-ROTOR AERIAL VEHICLE WITH LANDING GEAR**

(71) Applicants: **Kanquor Hsiao**, Towaco, NJ (US);  
**Yufeng Hsiao**, Towaco, NJ (US)

(72) Inventors: **Kanquor Hsiao**, Towaco, NJ (US);  
**Yufeng Hsiao**, Towaco, NJ (US)

(\*\*) Term: **15 Years**

(21) Appl. No.: **29/576,957**

(22) Filed: **Sep. 8, 2016**

(51) **LOC (10) Cl.** ..... **12-01**

(52) **U.S. Cl.**

USPC ..... **D12/16.1**

(58) **Field of Classification Search**

USPC ..... D12/16.1, 319-345; D21/436, 441, 442,  
D21/443, 446, 447, 448, 449, 450, 451,  
D21/452, 453, 454

CPC ... B64C 27/20; B64C 27/08; B64C 2201/104;  
B64C 2201/021; B64C 2201/128; B64C  
2201/024; B64C 2201/141; B64C  
2201/108; B64C 39/024

See application file for complete search history.

(56) **References Cited**

**U.S. PATENT DOCUMENTS**

- 8,967,029 B1 \* 3/2015 Calvert ..... F41H 13/00  
239/171
- D741,779 S \* 10/2015 Hsiao ..... D12/16.1
- D756,842 S \* 5/2016 Ashjaee ..... D12/16.1
- D759,764 S \* 6/2016 Lai ..... D12/16.1
- D763,134 S \* 8/2016 Wang ..... D12/16.1
- D766,159 S \* 9/2016 Noorani ..... D12/345
- D768,539 S \* 10/2016 Lee ..... D12/16.1
- D784,854 S \* 4/2017 Huang ..... D12/16.1

- 2015/0321755 A1\* 11/2015 Martin ..... B64C 27/50  
244/17.23
- 2016/0001879 A1\* 1/2016 Johannesson ..... B64C 27/50  
416/142
- 2016/0236777 A1\* 8/2016 Tang ..... B64C 39/024  
(Continued)

*Primary Examiner* — Robert M Spear  
*Assistant Examiner* — Marissa J Cash

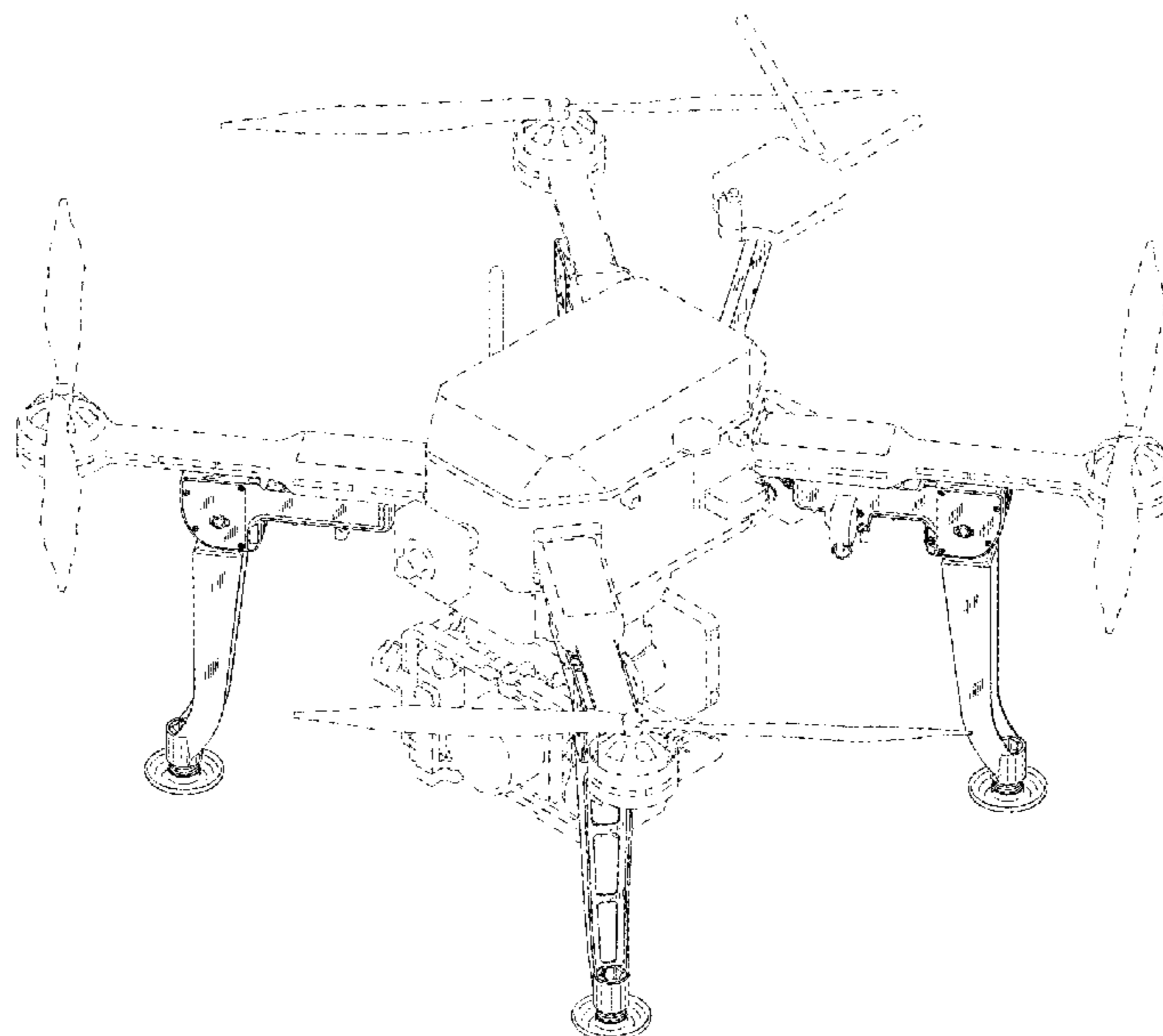
(57) **CLAIM**

The ornamental design for a multi-rotor aerial vehicle with landing gear, as shown and described.

**DESCRIPTION**

FIG. 1 is a front view of a multi-rotor aerial vehicle with landing gear in a down position, showing our new design. FIG. 2 is a rear view of a multi-rotor aerial vehicle with landing gear in a down position. FIG. 3 is a left-side view of a multi-rotor aerial vehicle with landing gear in a down position. FIG. 4 is a right-side view of a multi-rotor aerial vehicle with landing gear in a down position. FIG. 5 is a top view of a multi-rotor aerial vehicle with landing gear in a down position. FIG. 6 is a bottom view of a multi-rotor aerial vehicle with landing gear in a down position. FIG. 7 is a front, right, top-side perspective view of a multi-rotor aerial vehicle with landing gear in a down position. FIG. 8 is a front, right, top-side perspective view of a multi-rotor aerial vehicle with landing gear in an up position. FIG. 9 is a rear, right bottom-side perspective view of a multi-rotor aerial vehicle with landing gear in a down position; and, FIG. 10 is a rear, right bottom-side perspective view of a multi-rotor aerial vehicle with landing gear in an up position. In the drawings, the broken lines depict environmental subject matter only and form no part of the claimed design.

**1 Claim, 8 Drawing Sheets**



(56)

**References Cited**

U.S. PATENT DOCUMENTS

2016/0313742 A1\* 10/2016 Wang ..... G05D 1/0669  
2017/0096075 A1\* 4/2017 Henry ..... B60L 11/1822

\* cited by examiner

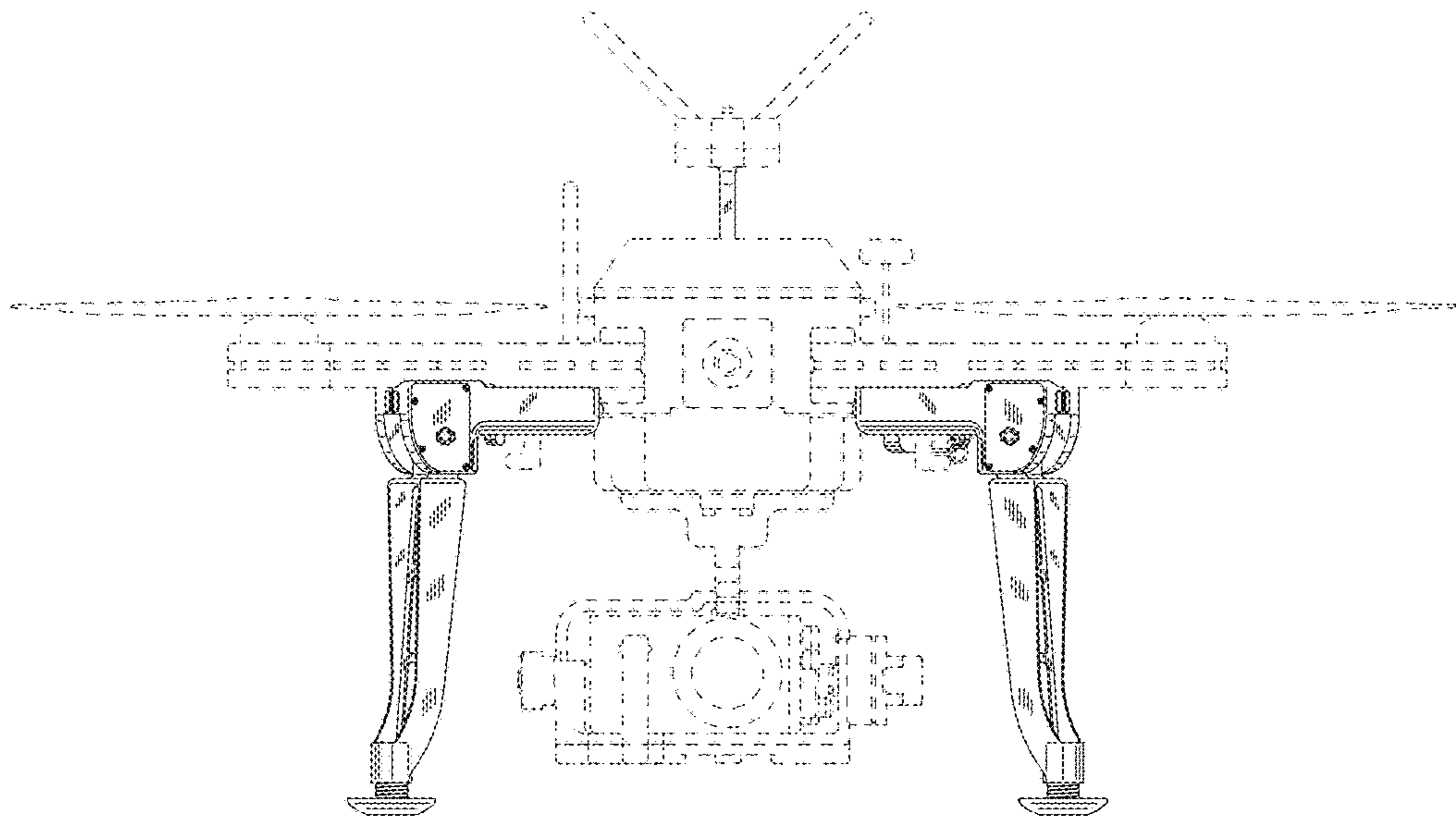


Fig. 1

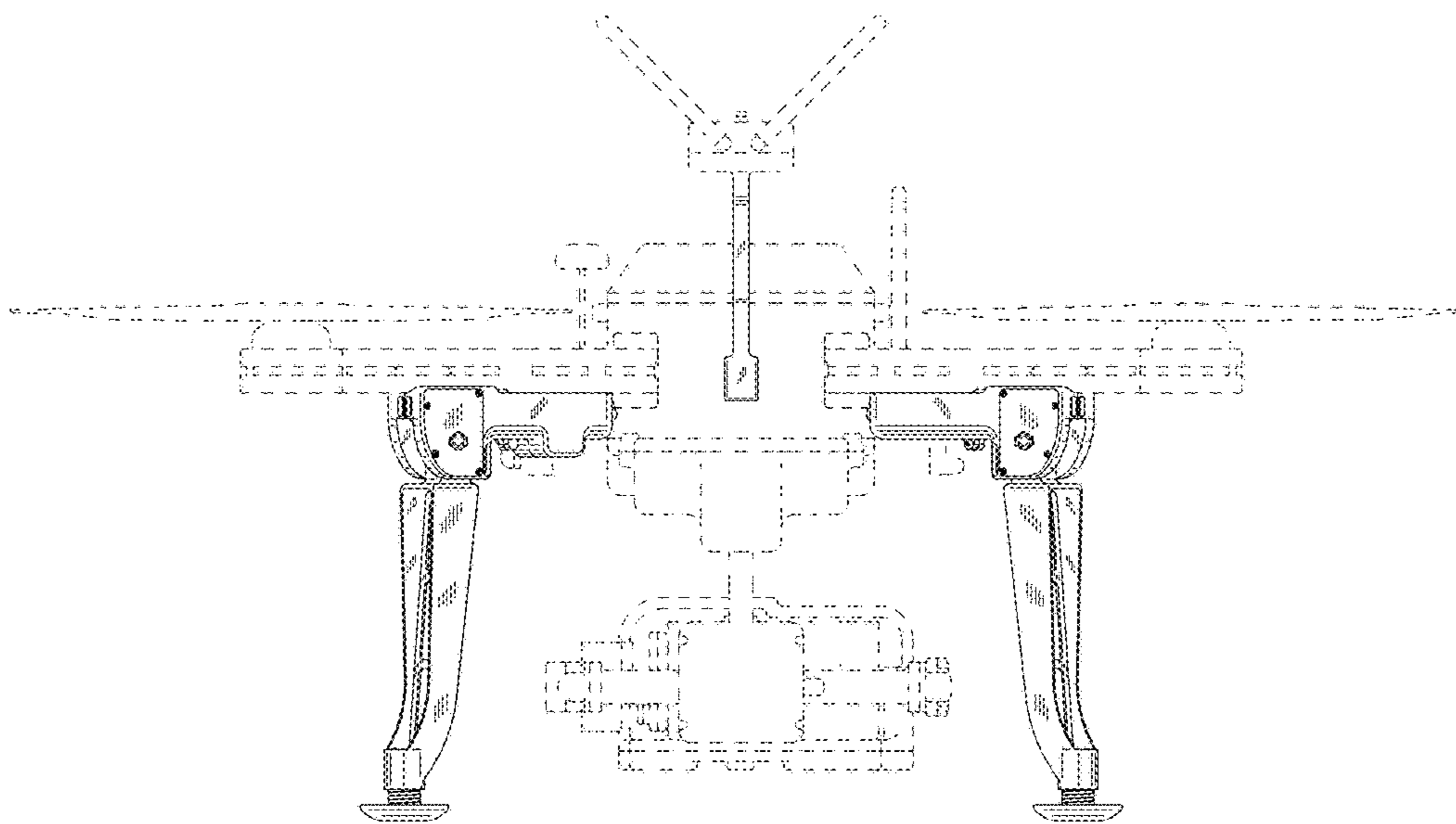


Fig. 2

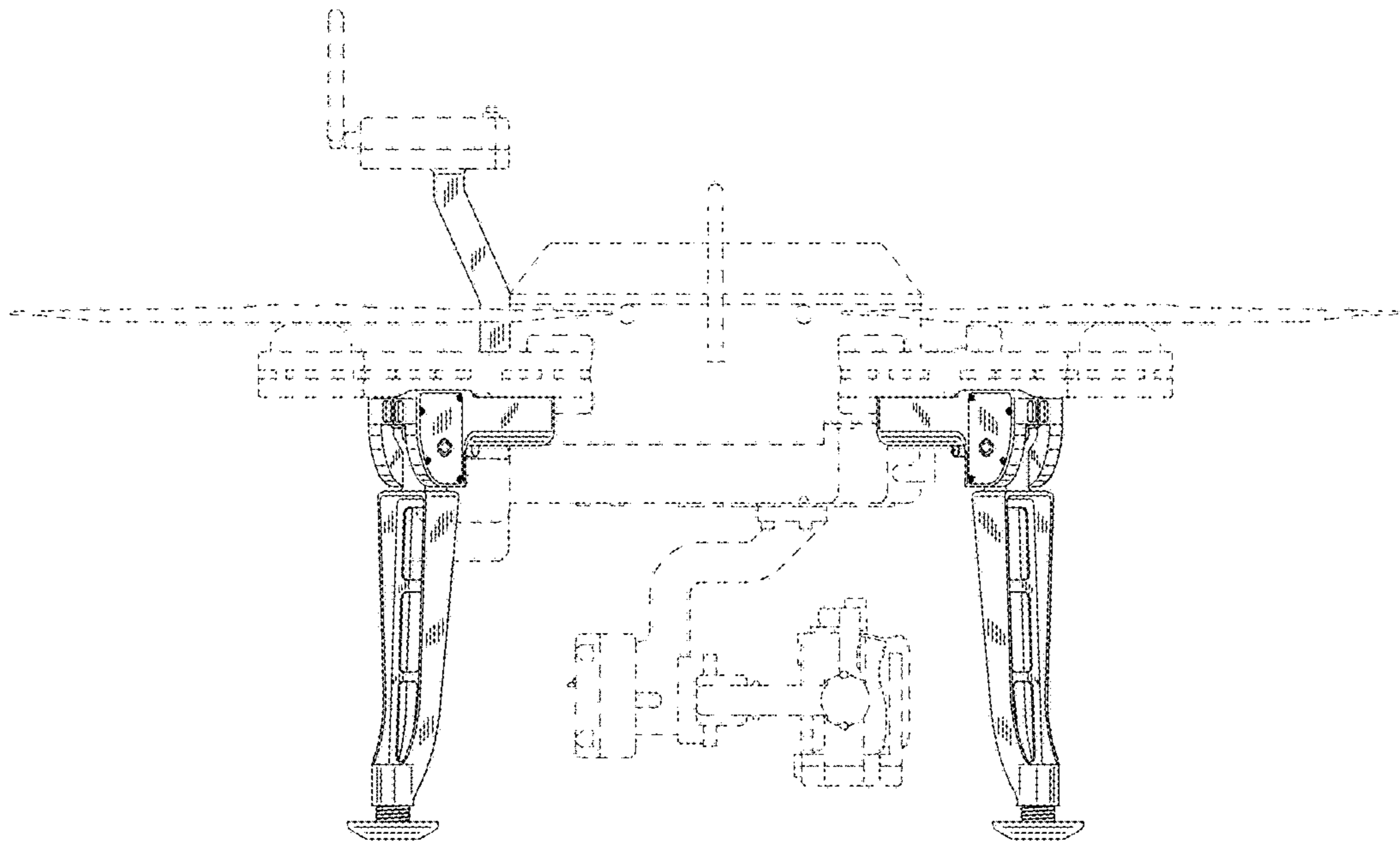


Fig. 3

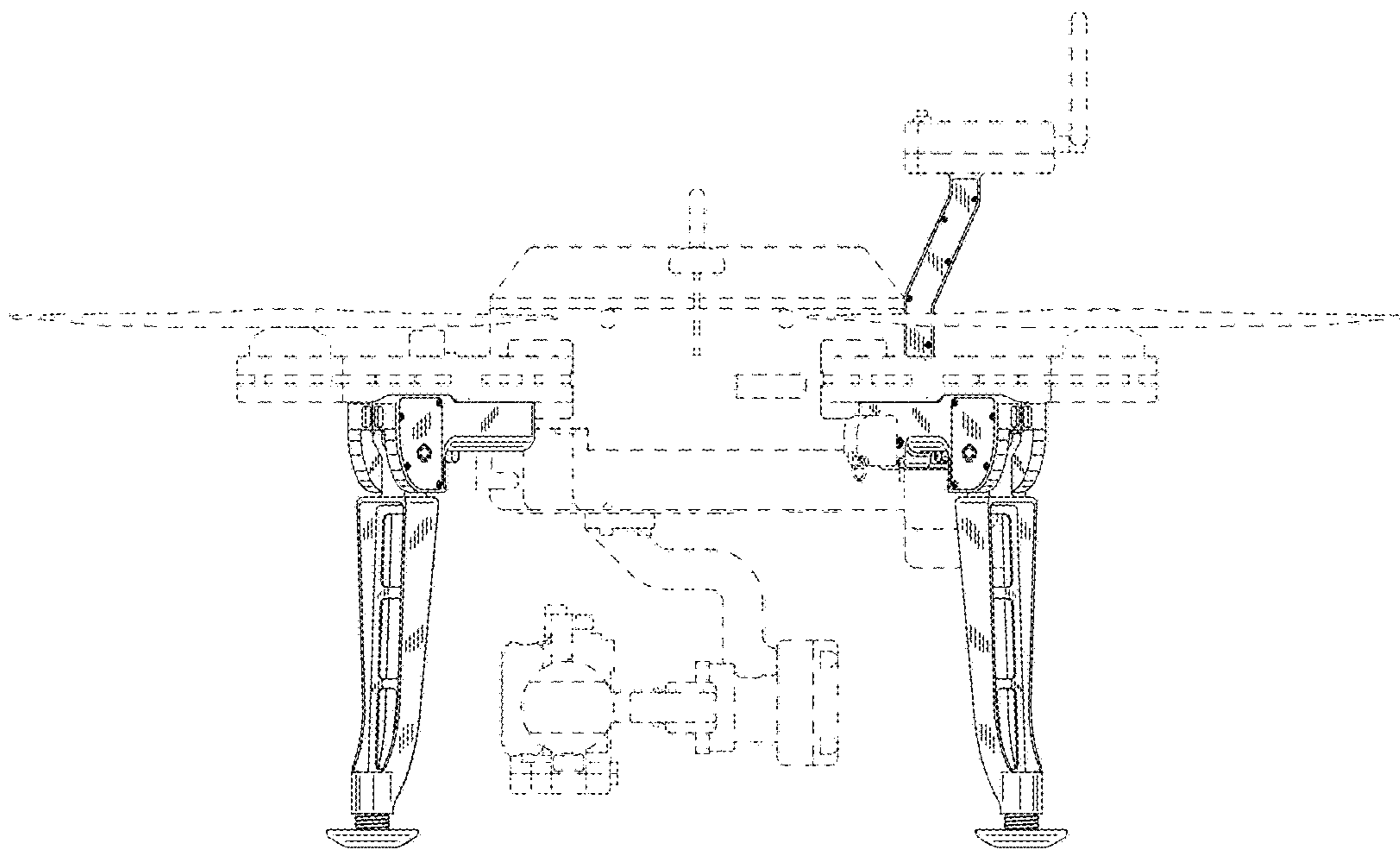


Fig. 4

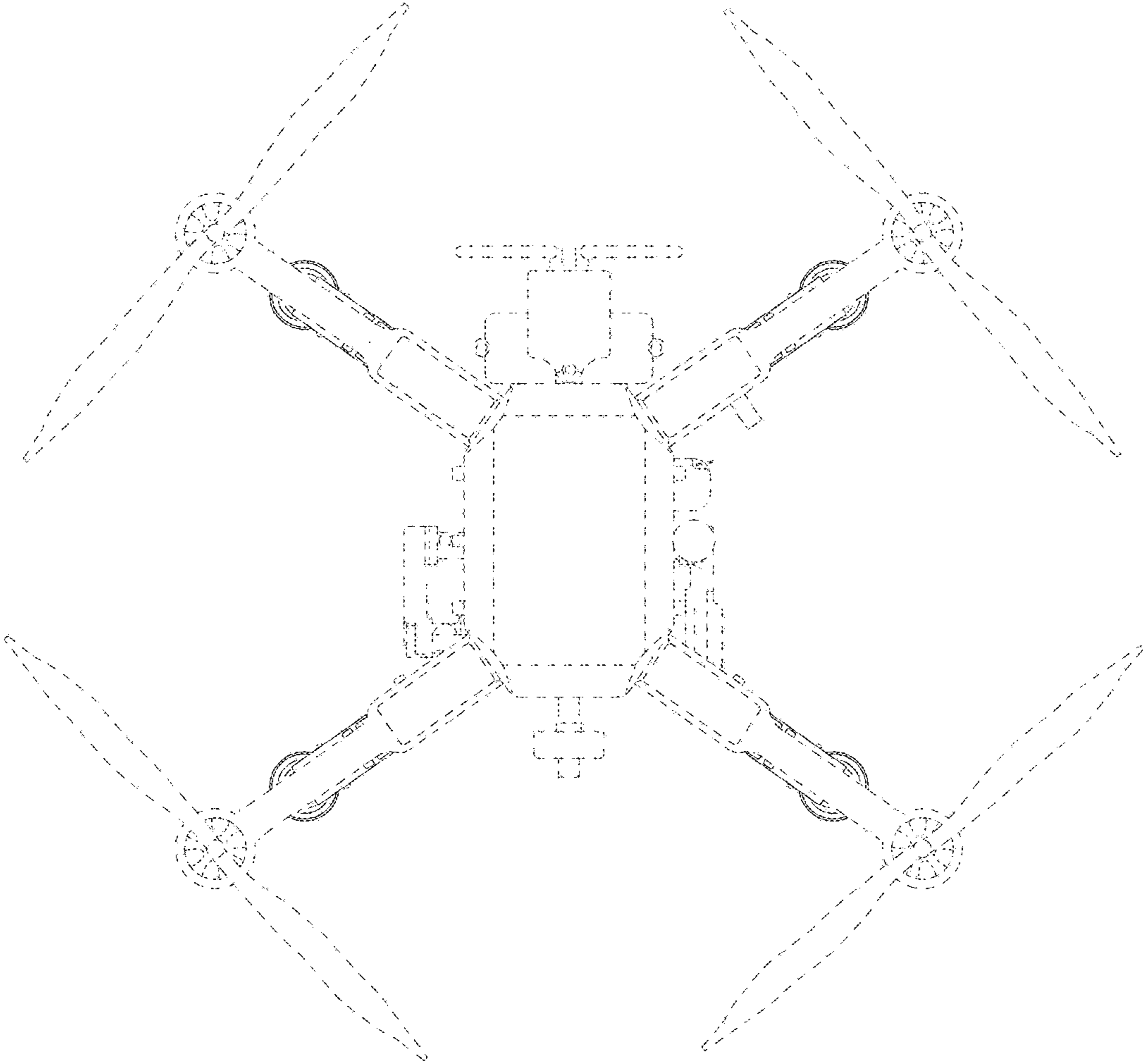


Fig. 5

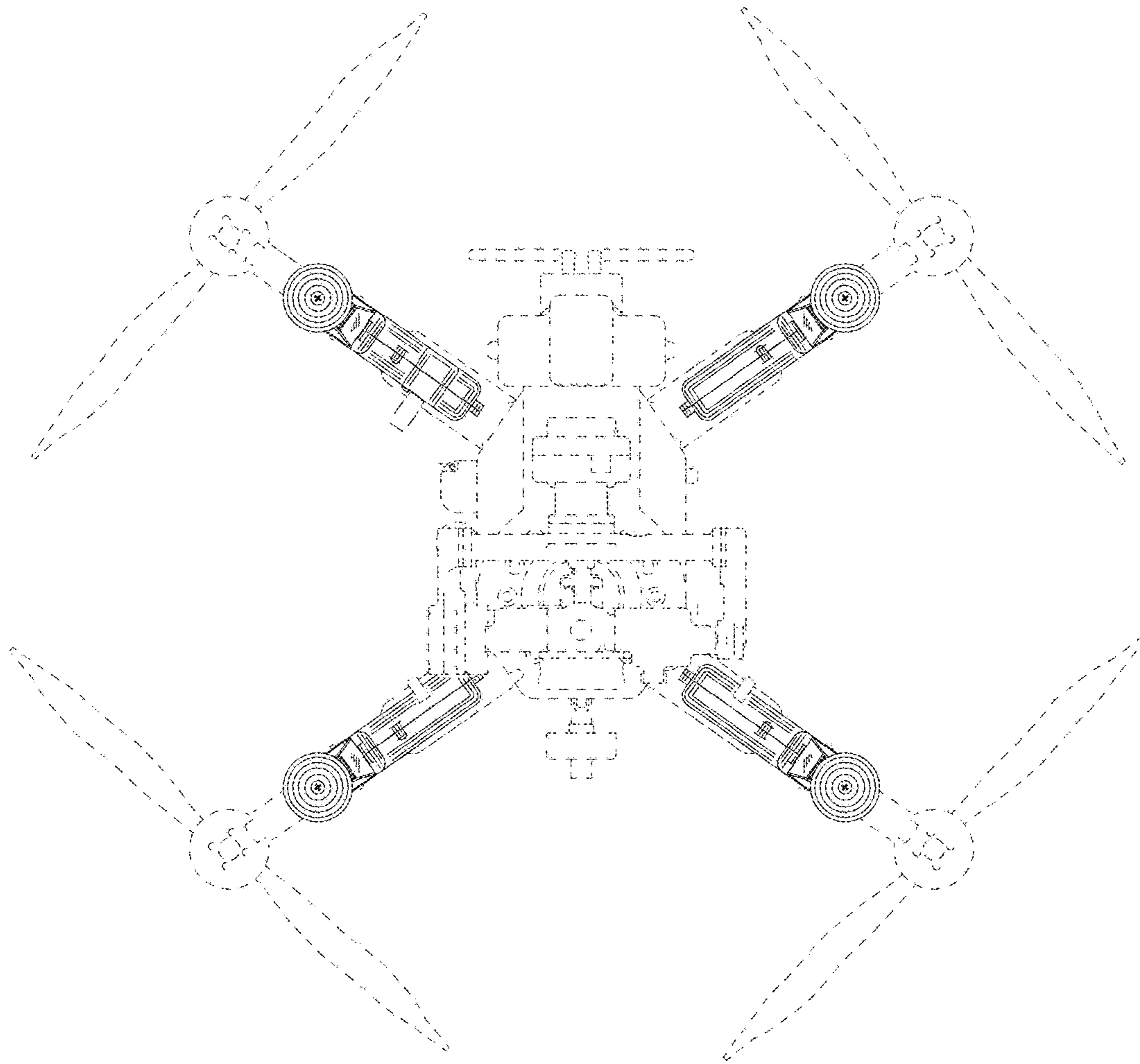


Fig. 6

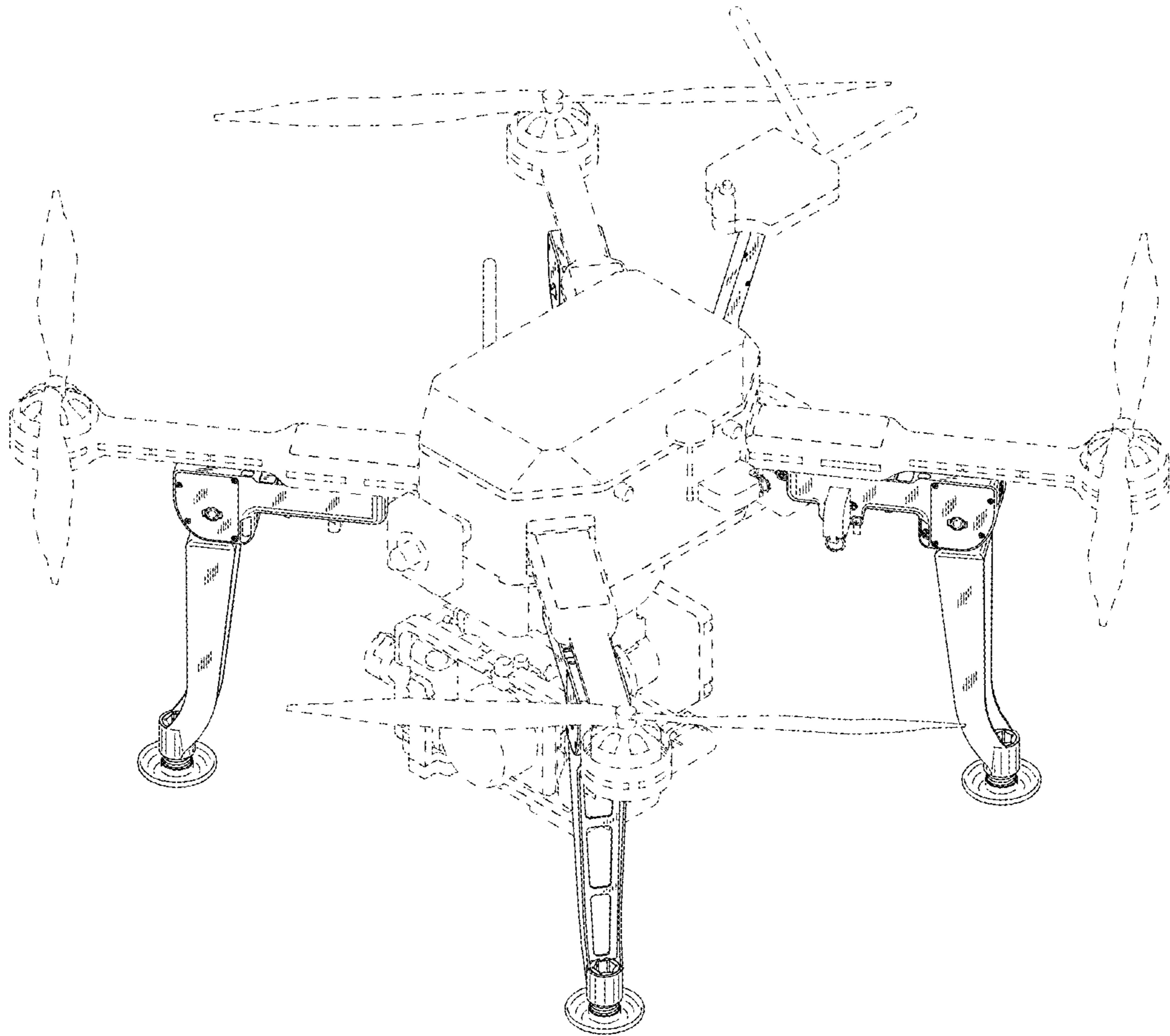


Fig. 7

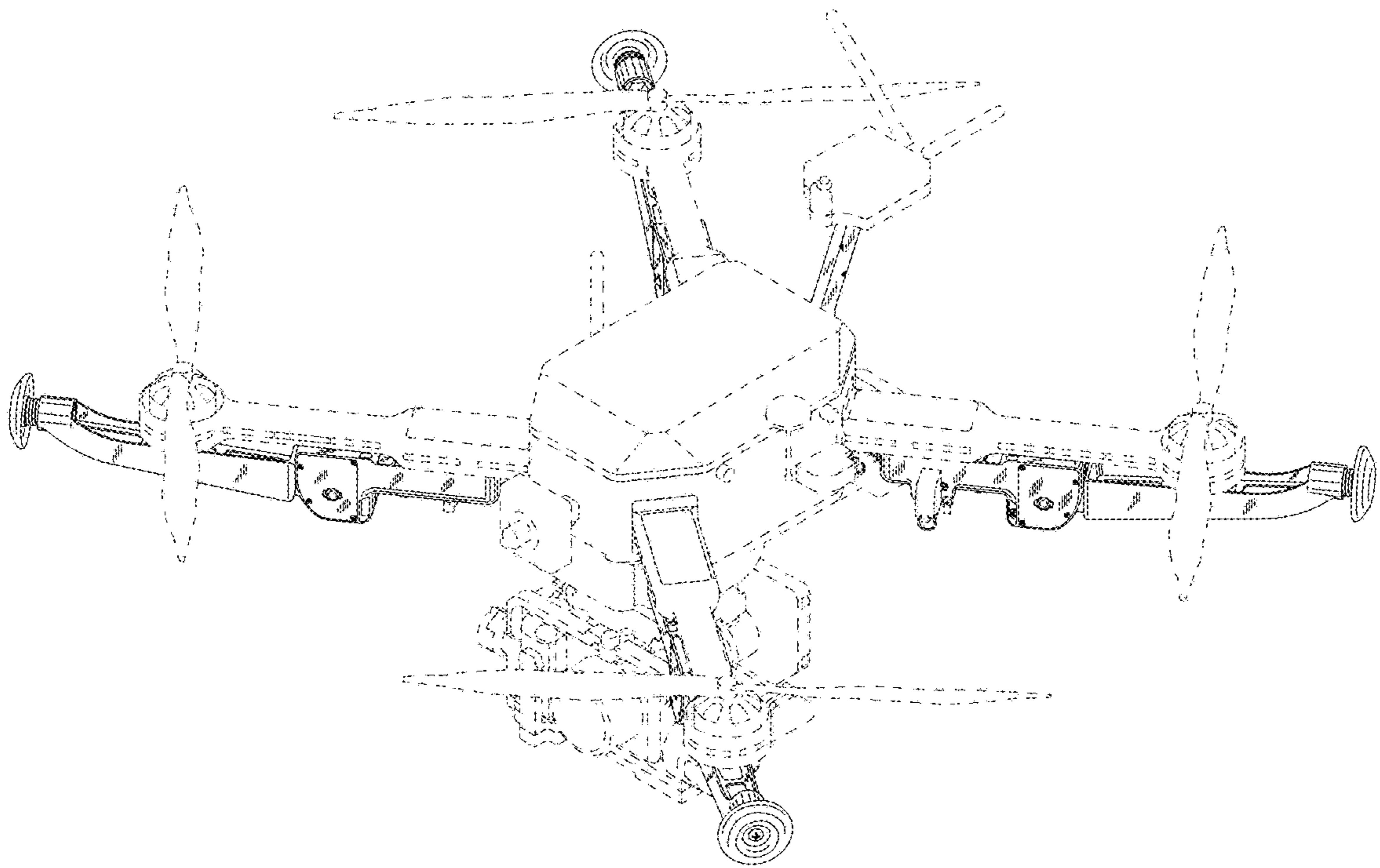


Fig. 8



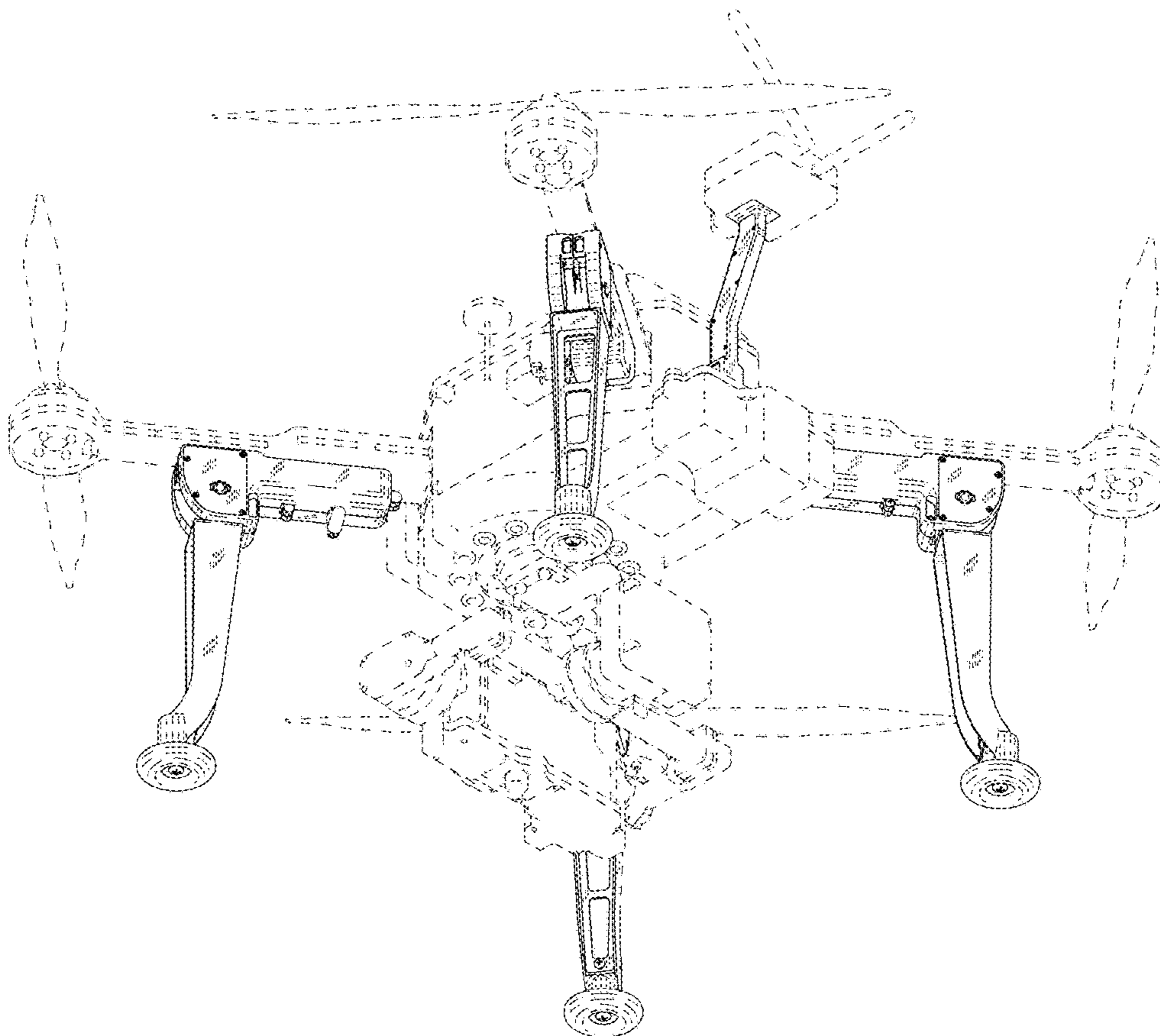


Fig. 9

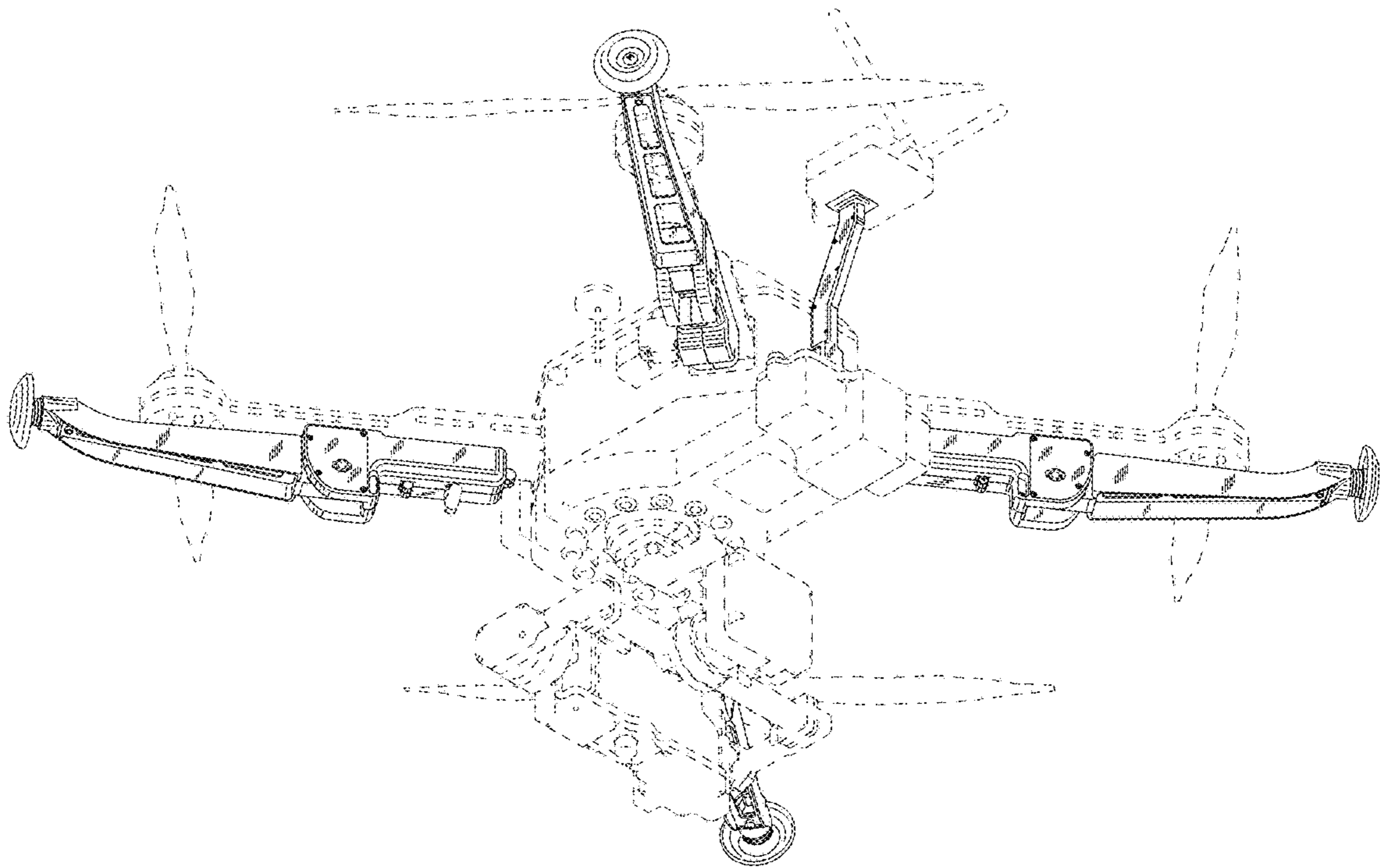


Fig. 10