



US00D801221S

(12) **United States Design Patent**
Paik et al.

(10) **Patent No.:** **US D801,221 S**

(45) **Date of Patent:** **** Oct. 31, 2017**

- (54) **BELT STRAP ADJUSTER**
- (71) Applicant: **WOOJIN PLASTIC CO., LTD,**
Guri-si, Gyeonggi-do (KR)
- (72) Inventors: **Jisook Paik,** Seoul (KR); **Nan Hee Paik,** Seoul (KR); **Ji Hye Paik,** Seoul (KR); **Ji Won Son,** Seoul (KR)
- (73) Assignee: **WOOJIN PLASTIC CO., LTD,**
Guri-si (KR)
- (**) Term: **15 Years**
- (21) Appl. No.: **29/570,852**
- (22) Filed: **Jul. 12, 2016**
- (30) **Foreign Application Priority Data**
Jan. 12, 2016 (KR) 30-2016-0001338
- (51) **LOC (10) Cl.** **02-07**
- (52) **U.S. Cl.**
USPC **D11/218**
- (58) **Field of Classification Search**
USPC D11/1-2, 200-201, 206-210, 214-219;
24/163 R, 169-171, 173, 177-179, 191,
24/194-195, 197, 198, 200, 614-616,
24/625, 630, 578.11, 578.1, 163 K, 114;
D8/349, 395, 356
CPC A44B 11/06; A44B 11/26; A44B 11/25;
A41F 11/04
See application file for complete search history.

- 3,327,361 A * 6/1967 Mathison A44B 11/04
24/198
- 4,389,756 A * 6/1983 Kasama A44B 11/10
24/171
- D350,712 S * 9/1994 D'Ambrosio D11/218
- D352,254 S * 11/1994 Prosser D11/200
- D375,919 S * 11/1996 Krauss D11/216
- D384,911 S * 10/1997 Stroud D11/218
- D405,723 S * 2/1999 Anscher D11/216
- D405,724 S * 2/1999 Anscher D11/216

(Continued)

OTHER PUBLICATIONS

Quick Attach Sternum Strap Adjuster, Tri-Point.com, [online], [site visited Jul. 24, 2017]. <URL: <http://www.tri-point.com/product/plastic-buckles/strap-keepers-and-adjusters/quick-attach-sternum-strap-adjuster/>>.*

(Continued)

Primary Examiner — T. Chase Nelson
Assistant Examiner — Jonathan J Han
(74) *Attorney, Agent, or Firm* — Novick, Kim & Lee, PLLC; Jae Youn Kim

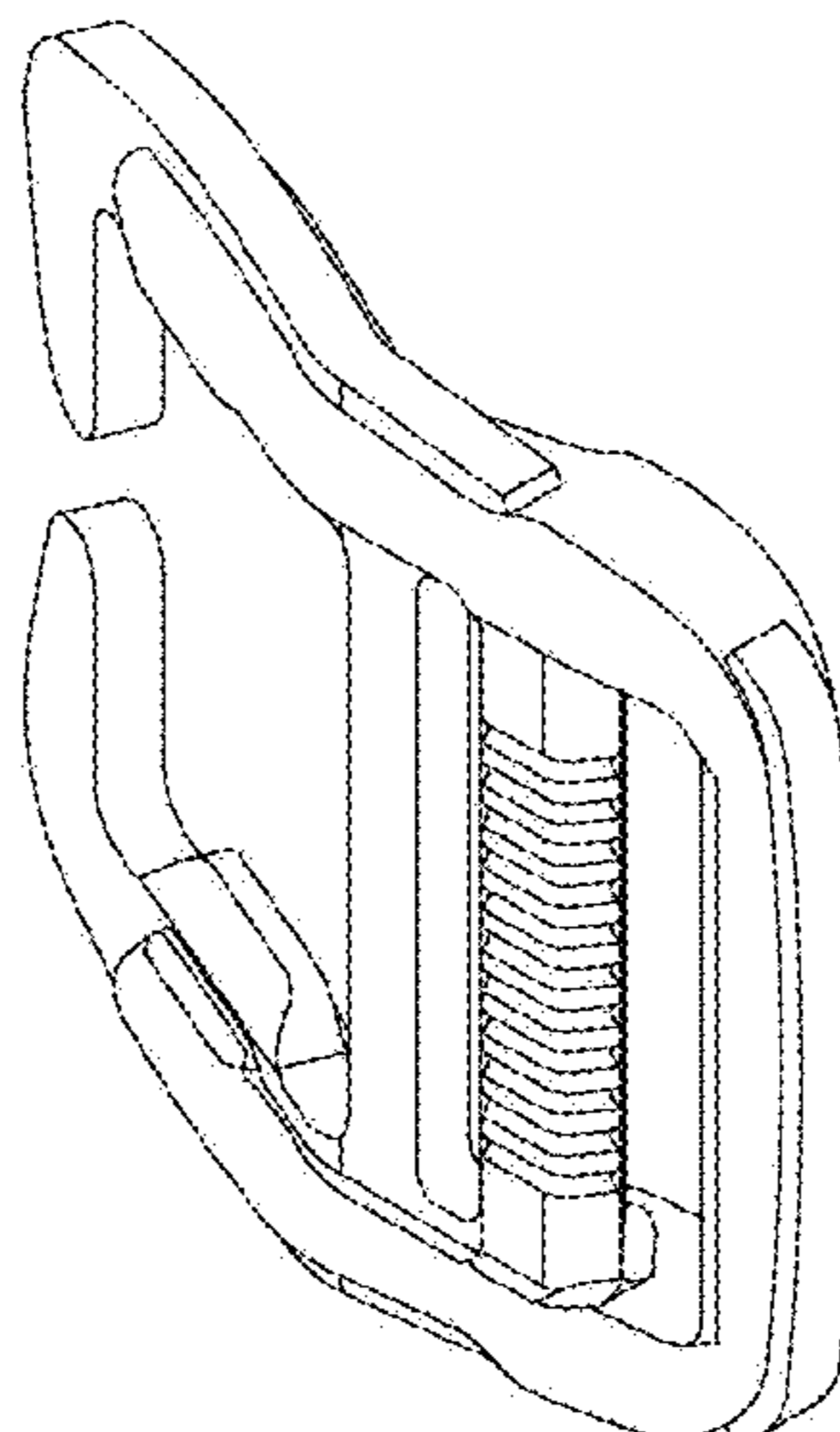
- (56) **References Cited**
U.S. PATENT DOCUMENTS
2,257,494 A * 9/1941 Brown A41F 15/002
2/73
D130,138 S * 10/1941 Rosenberg D11/218
2,643,431 A * 6/1953 Schwarz A41F 15/002
24/200
3,161,931 A * 12/1964 Zif A41F 1/006
24/200

(57) **CLAIM**
We claim, the ornamental design for a belt strap adjuster, as shown and described.

DESCRIPTION

FIG. 1 is a perspective view of a belt strap adjuster, showing our new design;
FIG. 2 is a front elevational view thereof;
FIG. 3 is a rear elevational view thereof;
FIG. 4 is a left side elevational view thereof;
FIG. 5 is a right side elevational view thereof;
FIG. 6 is a top plan view thereof;
FIG. 7 is a bottom plan view thereof; and,
FIG. 8 is a sectional view thereof along line 8-8 as shown in FIG. 2.

1 Claim, 4 Drawing Sheets



(56)

References Cited

U.S. PATENT DOCUMENTS

D413,281 S * 8/1999 Uehara D11/218
 D419,106 S * 1/2000 Uehara D11/218
 D536,279 S * 2/2007 Grimm D11/216
 D610,946 S * 3/2010 Harada D11/200
 D618,588 S * 6/2010 Paik D11/216
 D619,498 S * 7/2010 Paik D11/218
 D648,245 S * 11/2011 Takazakura D11/218
 D648,653 S * 11/2011 Kadoishi D11/218
 D661,573 S * 6/2012 Paik D8/367
 D666,525 S * 9/2012 Anderson D11/210
 D666,942 S * 9/2012 Iannello D11/210
 D668,580 S * 10/2012 Kax D11/218
 D686,059 S * 7/2013 Paik D8/356
 D687,509 S * 8/2013 Iannello D11/200
 D702,151 S * 4/2014 Kaneko D11/218
 D703,097 S * 4/2014 Nanbu D11/218
 D731,919 S * 6/2015 Kung D11/218
 D731,920 S * 6/2015 Kung D11/218

D764,348 S * 8/2016 Paik D11/216
 2007/0089277 A1 * 4/2007 Bacalso A44B 11/2503
 24/200
 2015/0074951 A1 * 3/2015 Grimm A44B 11/006
 24/190

OTHER PUBLICATIONS

Clip Buckles for Bags / Overalls—Flat Plastic 35mm (Pk of 2), WeaverDee.com, [online], [site visited Jul. 24, 2017]. <URL: <https://weaverdee.com/products/prym416360?variant=8728554819>>.*
 Plastic Strap Adjusters, Black Plastic Slider, Set of 25, 1" Strap Slider, Strapworks Brand, Buckle Strap Adjuster, EtsyStudio.com, [online], [site visited Jul. 24, 2017]. <URL: https://www.etsystudio.com/listing/520139606/plastic-strap-adjusters-black-plastic?ref=sr_gallery_18>.*
 Single Tension Hook, WoojinPlastic.com, [online], [site visited Jul. 24, 2017]. <URL: <http://www.wojinplastic.com/products/detail/386>>.*

* cited by examiner

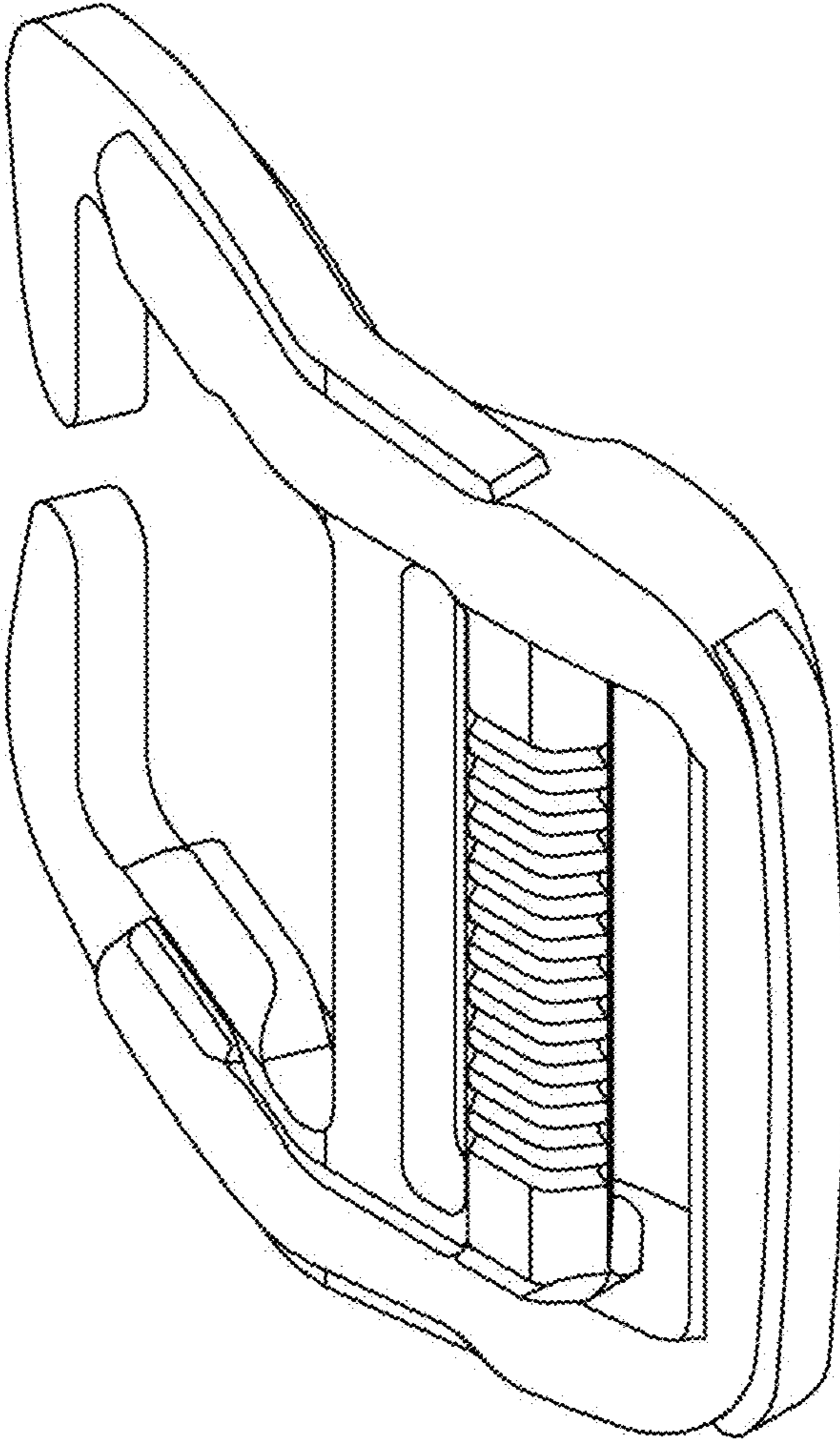


FIG. 1

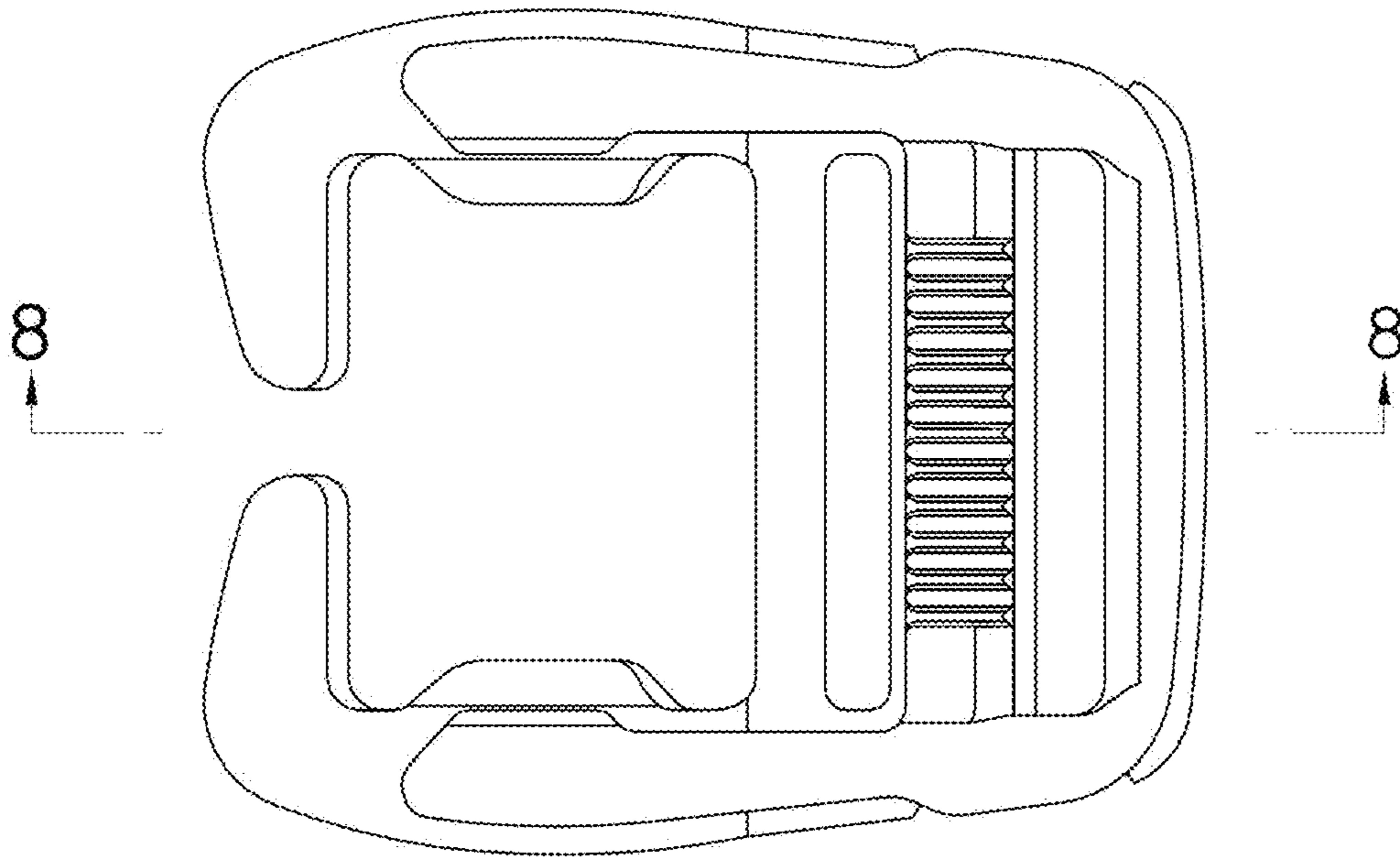


FIG. 2

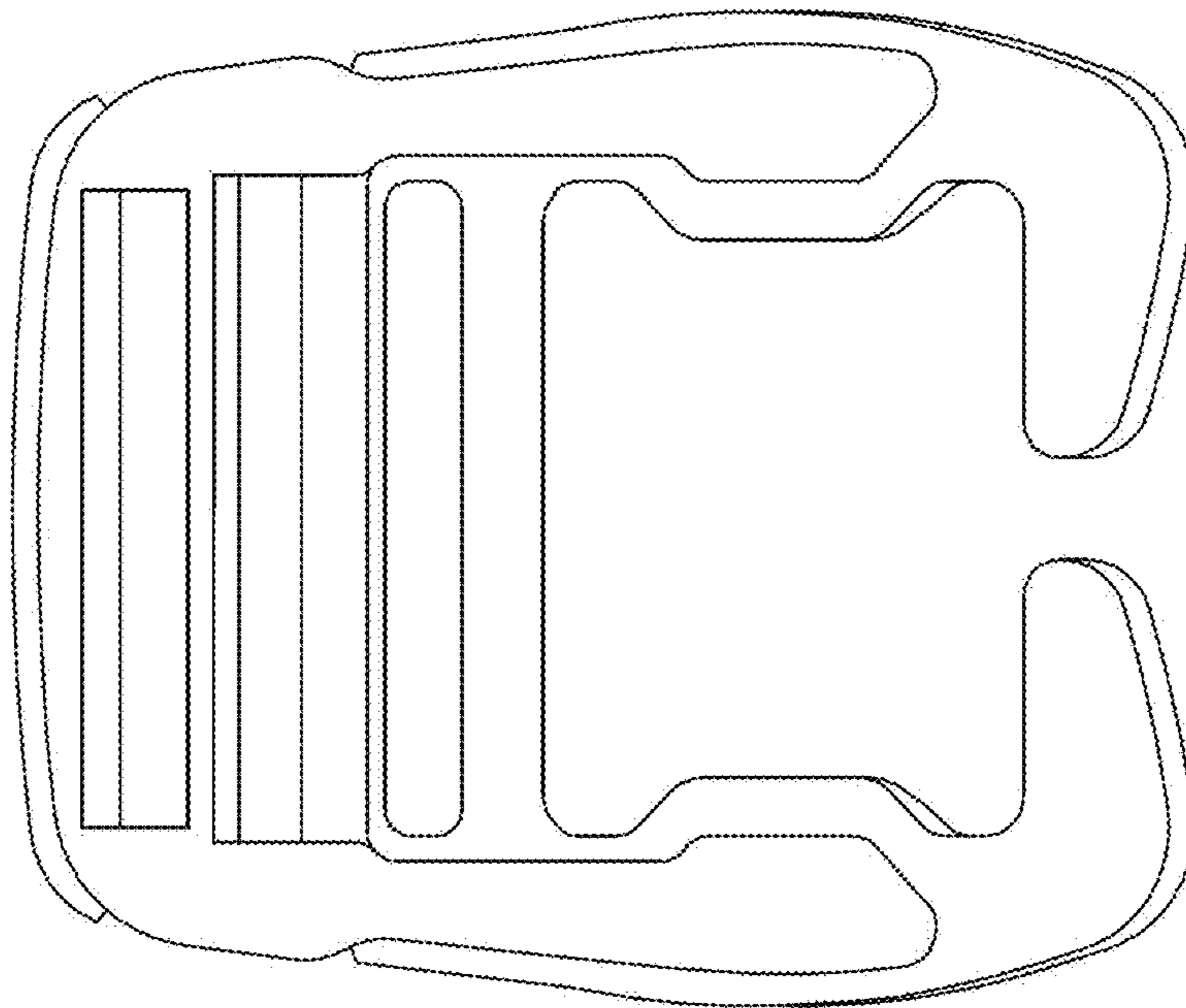


FIG. 3

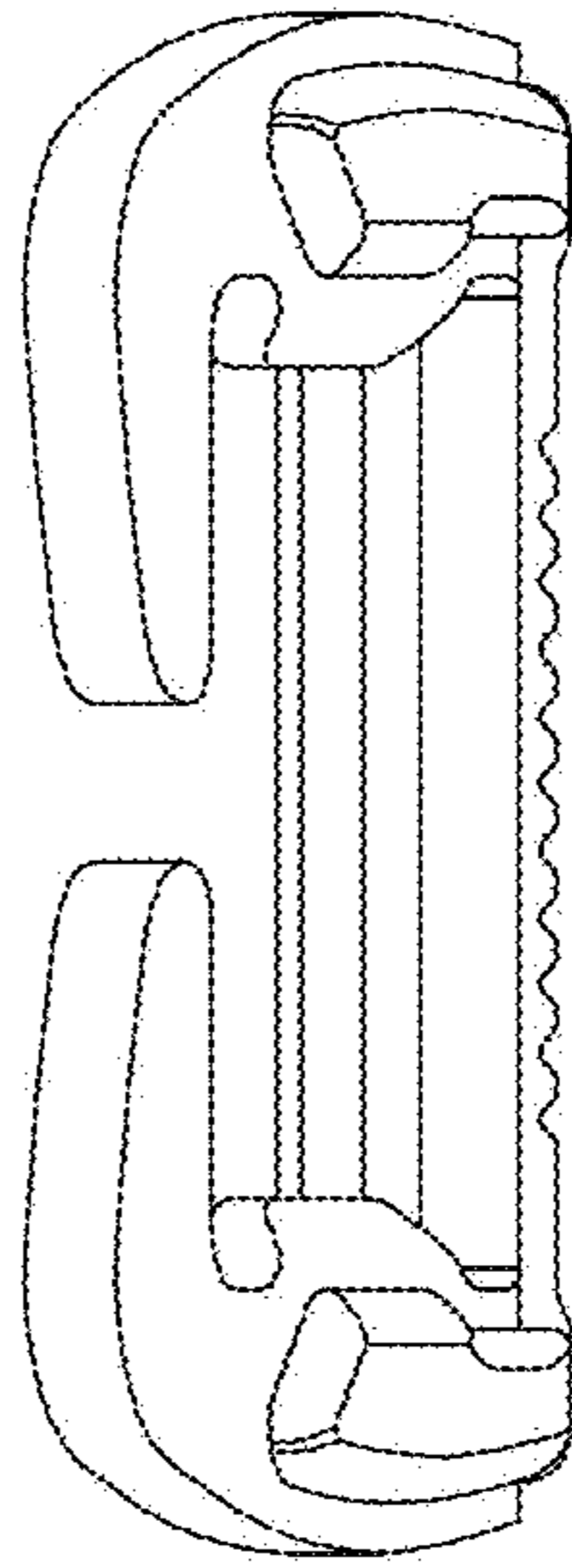


FIG. 4

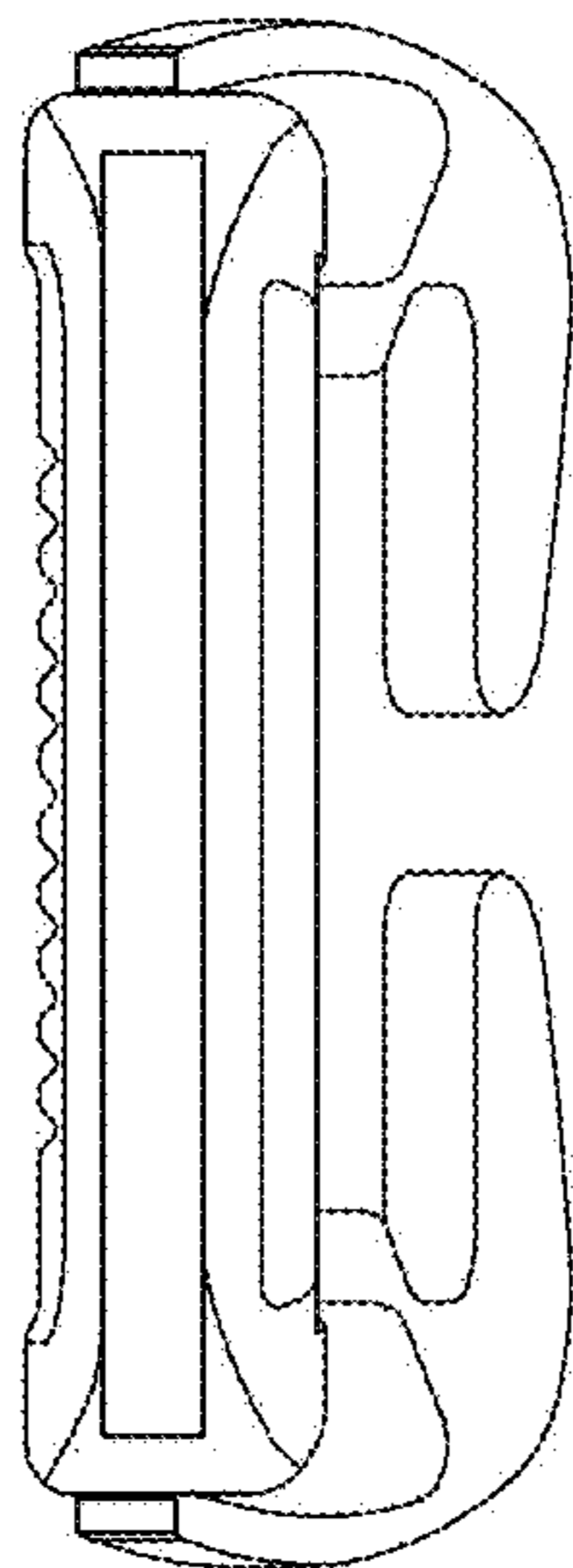


FIG. 5

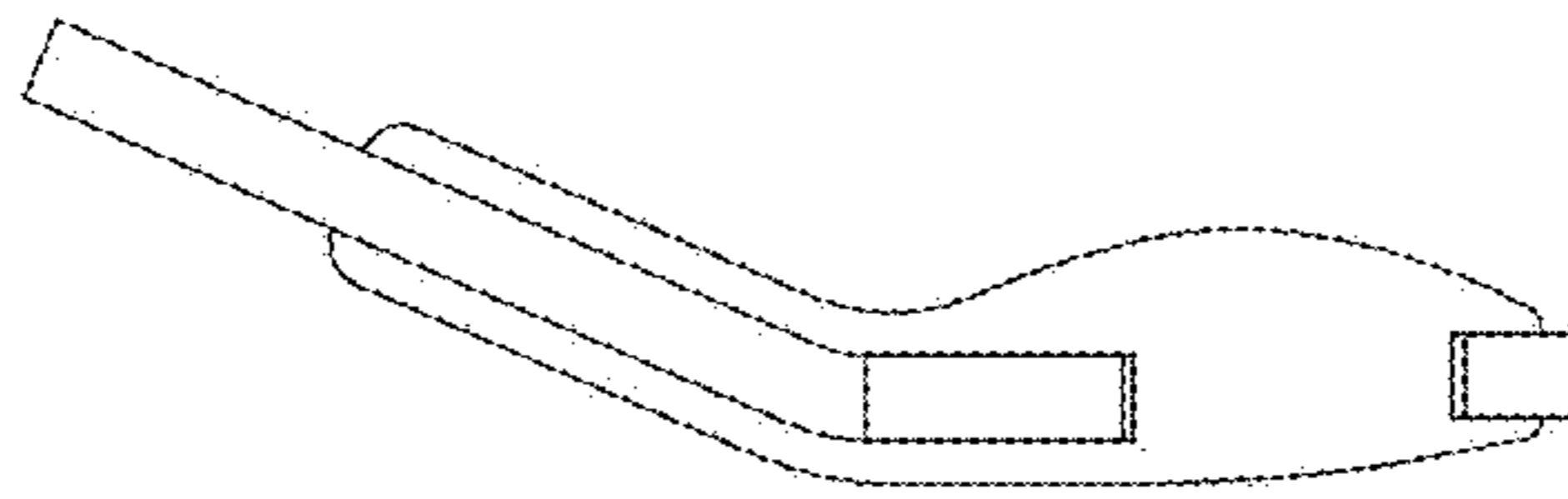


FIG. 6

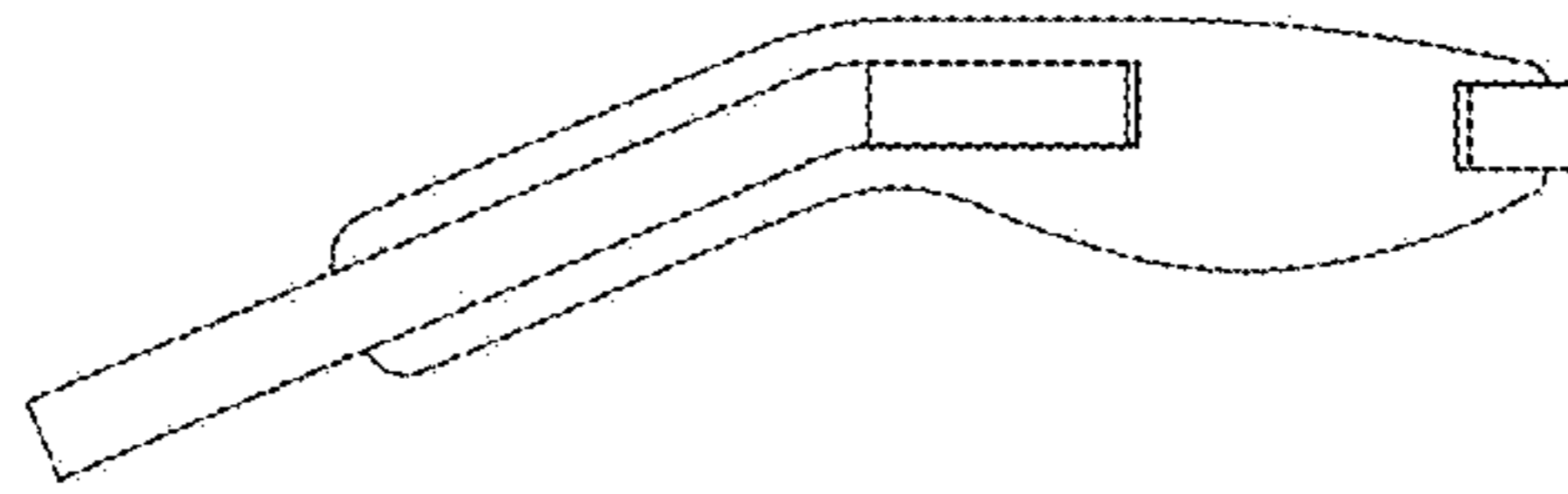


FIG. 7

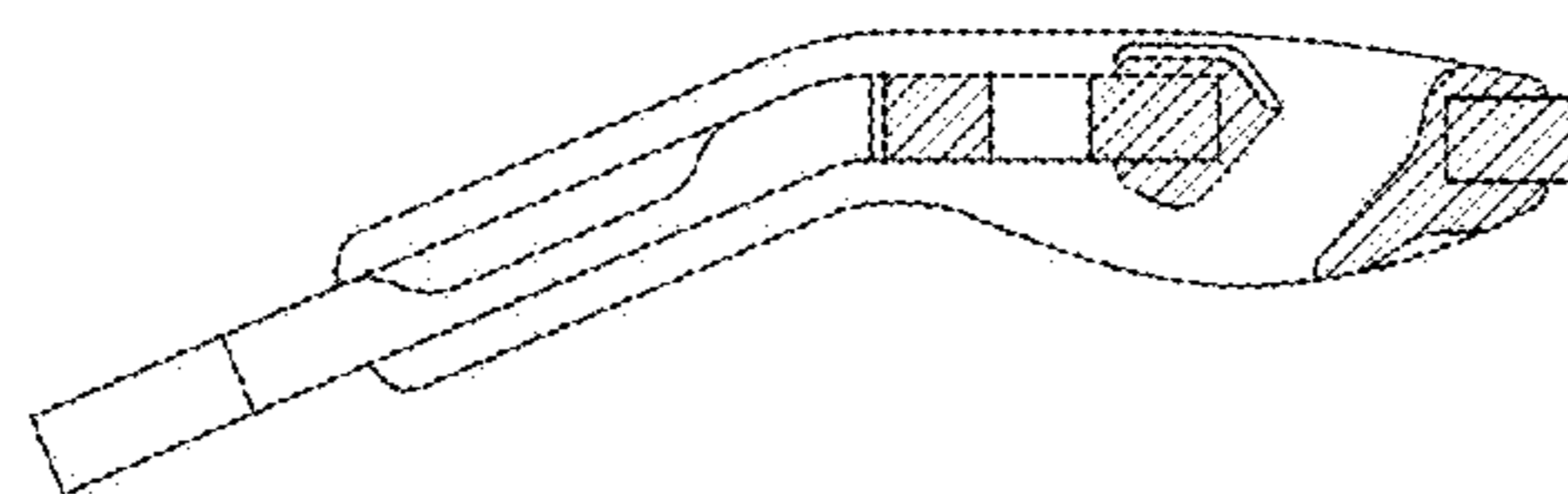


FIG. 8