



US00D801220S

(12) **United States Design Patent** (10) **Patent No.:** **US D801,220 S**
Wong (45) **Date of Patent:** **** Oct. 31, 2017**

(54) **BUCKLE**
(71) Applicant: **GLORY METAL PRODUCTS MANUFACTURING LTD.**, Hong Kong (HK)
(72) Inventor: **Hon Wah Wong**, Hong Kong (HK)
(73) Assignee: **GLORY METAL PRODUCTS MANUFACTURING LTD.**, Hong Kong (HK)
(**) Term: **15 Years**
(21) Appl. No.: **29/565,383**
(22) Filed: **May 19, 2016**
(51) **LOC (10) Cl.** **11-02**
(52) **U.S. Cl.**
USPC **D11/212**
(58) **Field of Classification Search**
USPC D11/200–219; 24/163 R, 169–171, 173, 24/177–179, 191, 194–195, 197, 200, 24/614–616, 625, 198, 578.11, 578.1, 24/163 K, 114, 196, 387, 316; D2/853, D2/624; 63/20; D30/153
CPC A44B 11/26; A44B 11/25; A44B 11/06; A44B 11/04; A44B 11/10; A41F 9/00
See application file for complete search history.

(56) **References Cited**
U.S. PATENT DOCUMENTS
D35,705 S * 2/1902 Clarke D11/212
1,346,911 A * 7/1920 Peterson A41F 11/04
24/668
1,354,095 A * 9/1920 Evans A41F 11/04
24/701
1,421,514 A * 7/1922 McFarland A41F 9/025
24/702
1,625,166 A * 4/1927 Siegel A41F 9/025
2/309

1,695,056 A * 12/1928 Mosgrove A44B 11/04
24/200
2,146,496 A * 2/1939 Anderson A41F 11/04
24/668
2,147,179 A * 2/1939 Tilly A41F 11/04
24/478
D306,272 S * 2/1990 Kruger D11/212
4,935,997 A * 6/1990 Hirsch A41F 11/04
24/668
5,005,269 A * 4/1991 Hirsch A41F 11/04
24/666
D396,827 S * 8/1998 Luk D11/212
6,226,845 B1 * 5/2001 Fink A41F 11/04
24/322.1
D454,812 S * 3/2002 Luk D11/212
7,111,369 B2 * 9/2006 Ho A41F 11/04
24/666
D533,807 S * 12/2006 English D11/212

* cited by examiner

Primary Examiner — Ralf Seifert

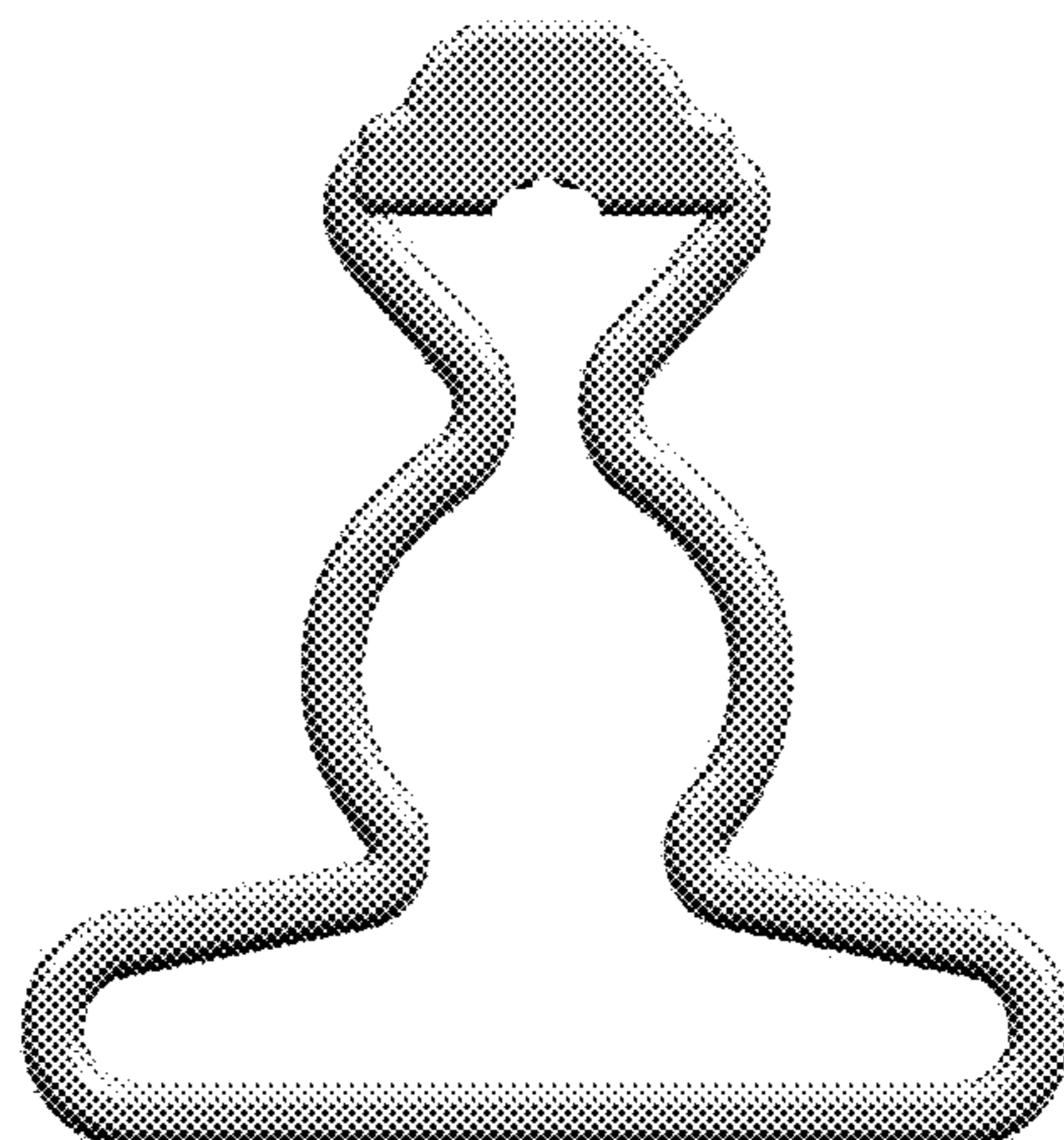
(57) **CLAIM**

The ornamental design for a buckle, as shown and described.

DESCRIPTION

FIG. 1 is a front elevational view of a buckle showing my new design;
FIG. 2 is a rear elevational view thereof;
FIG. 3 is a right side view thereof;
FIG. 4 is a left side view thereof;
FIG. 5 is a top plan view thereof;
FIG. 6 is a bottom plan view thereof;
FIG. 7 is a first perspective view thereof;
FIG. 8 is a second perspective view thereof;
FIG. 9 is a third perspective view thereof;
FIG. 10 is a fourth perspective view thereof;
FIG. 11 is a fifth perspective view thereof; and,
FIG. 12 is a sixth perspective view thereof.

1 Claim, 12 Drawing Sheets



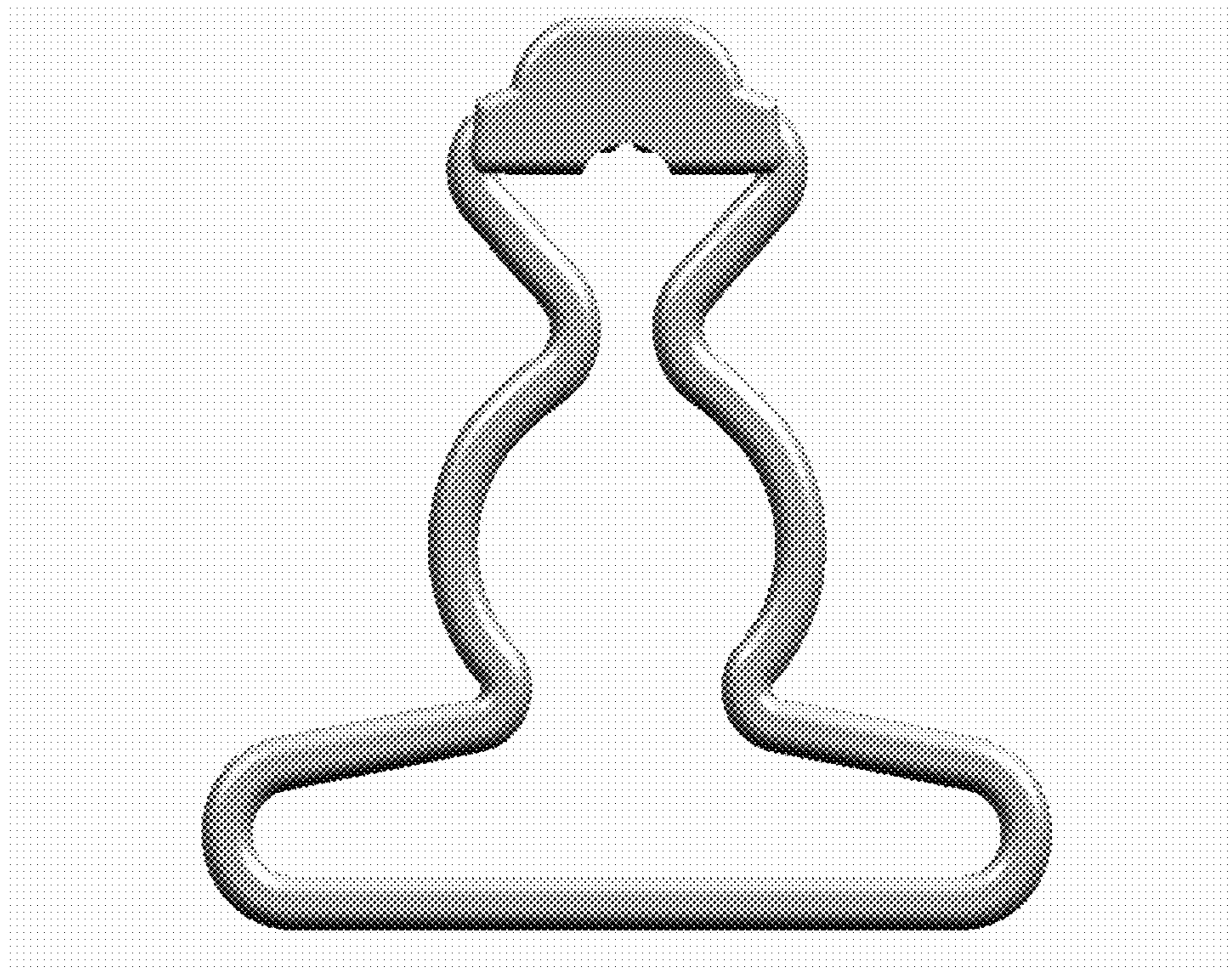


Fig. 1

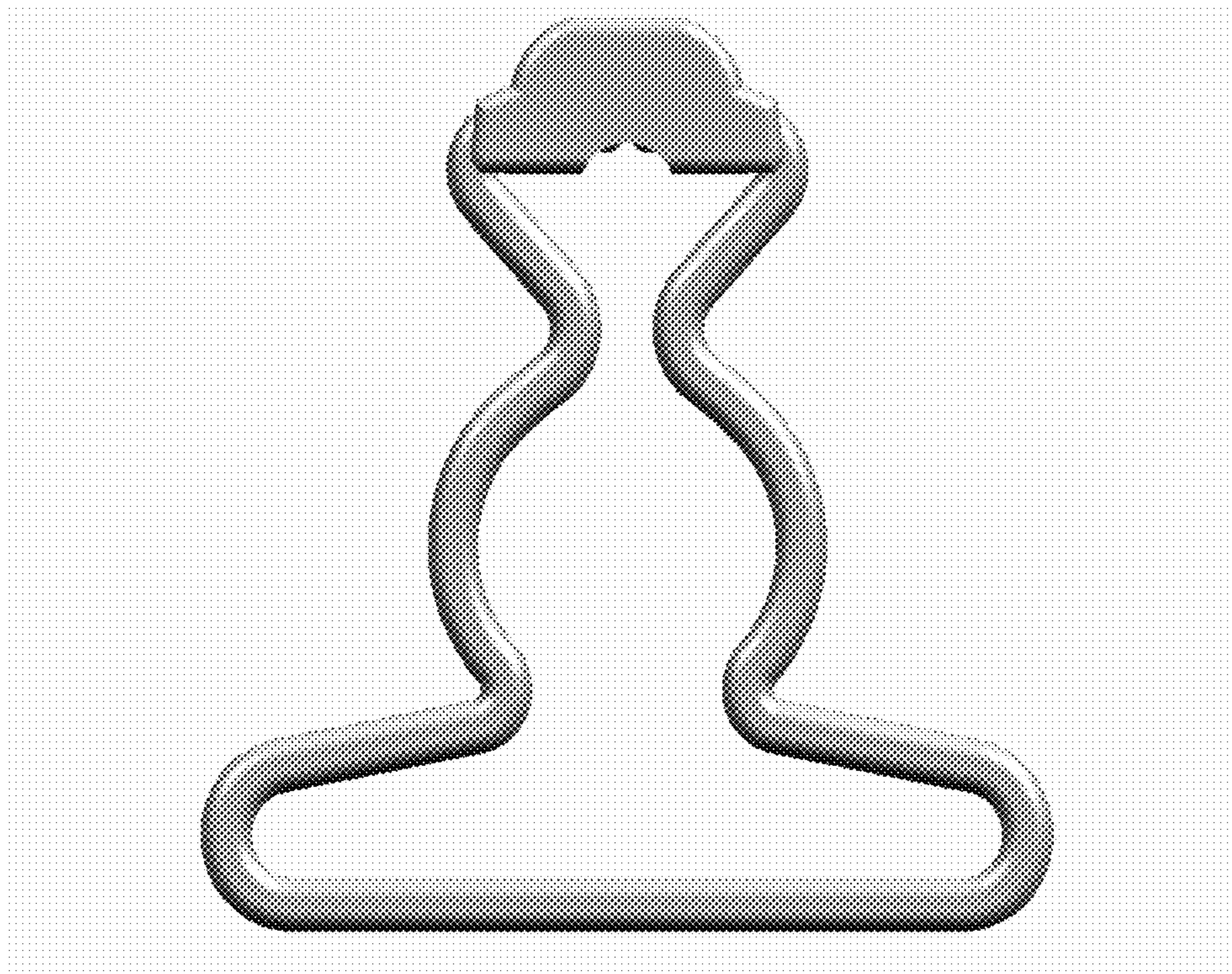


Fig. 2

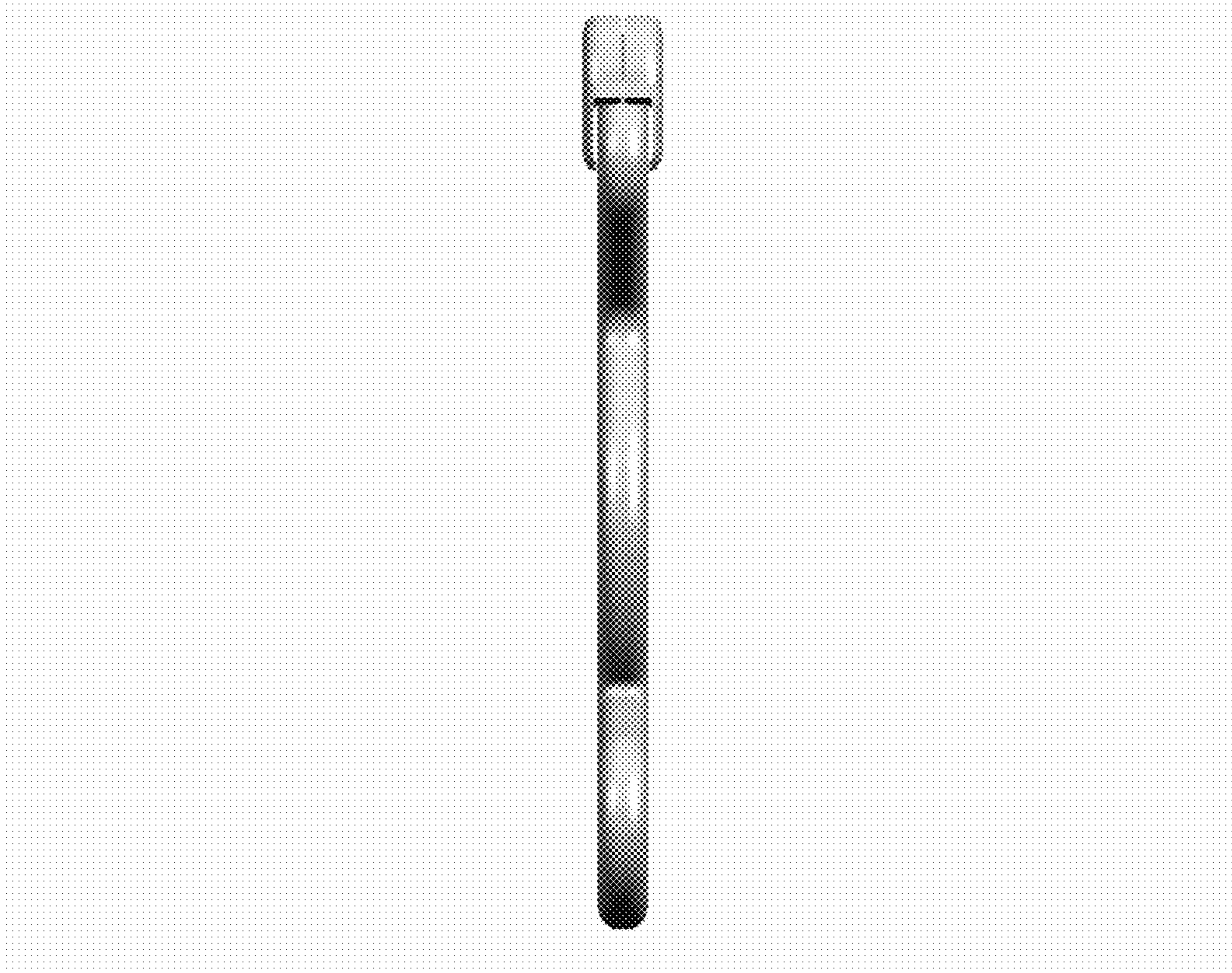


Fig. 3



Fig. 4

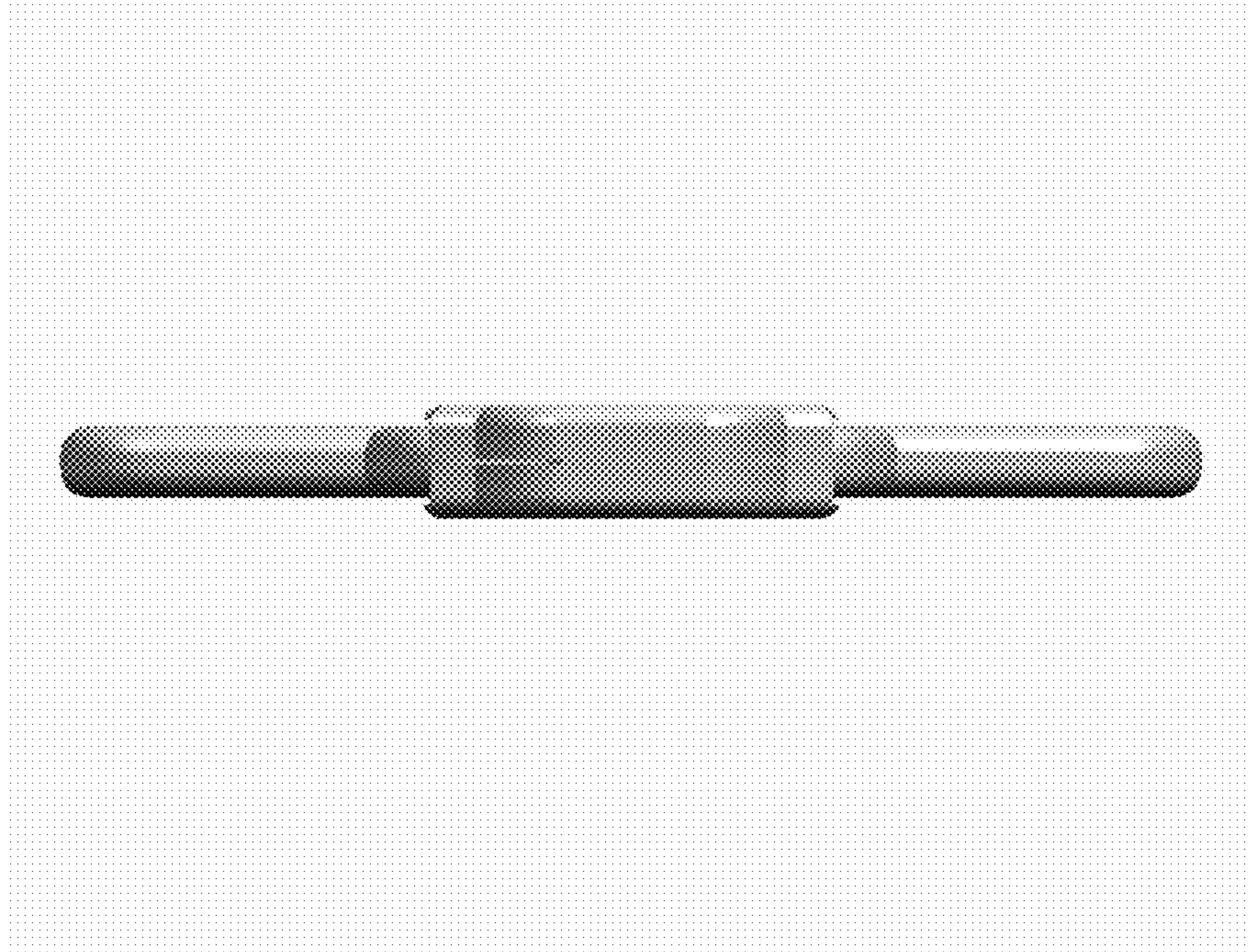


Fig. 5

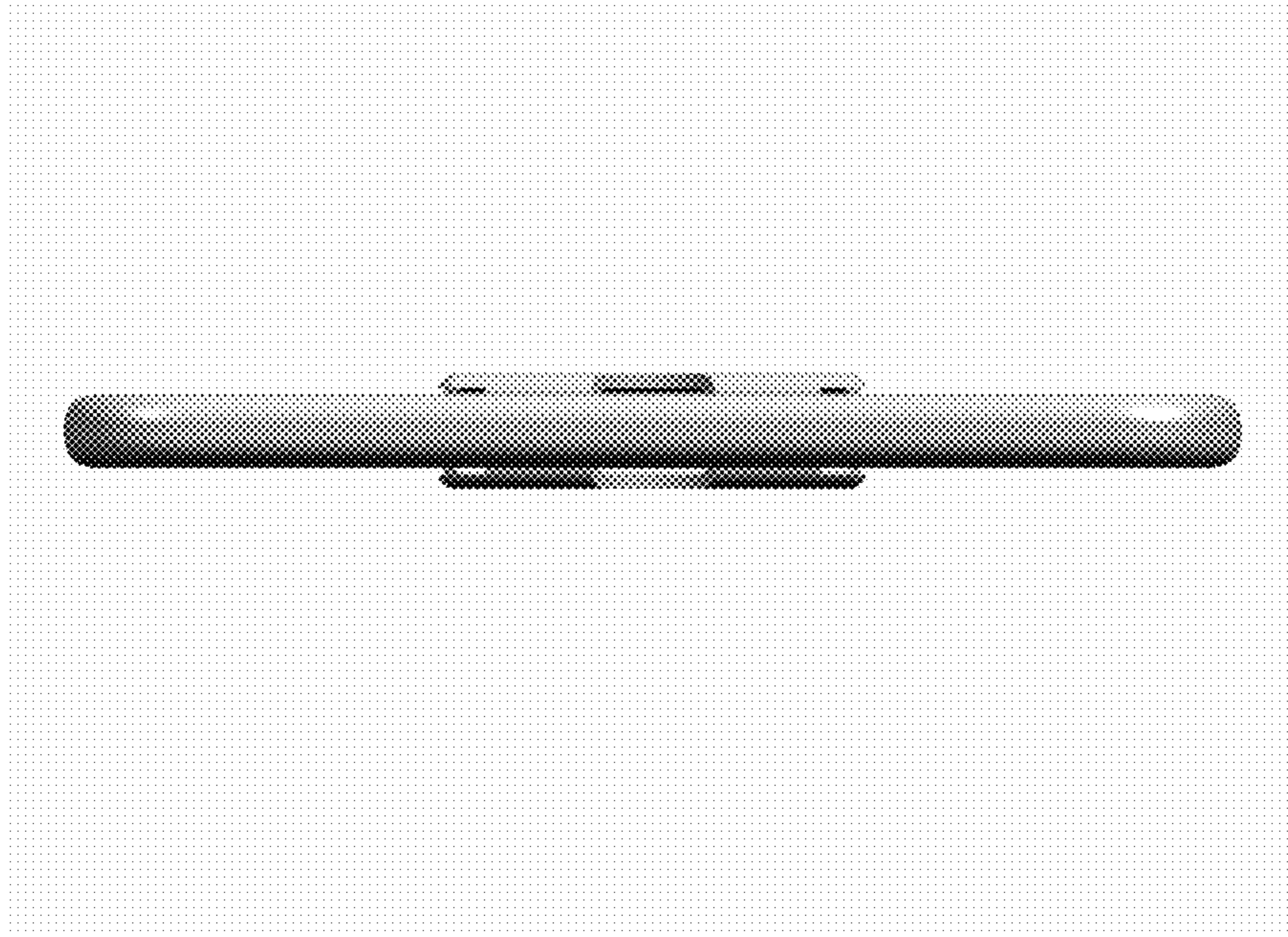


Fig. 6

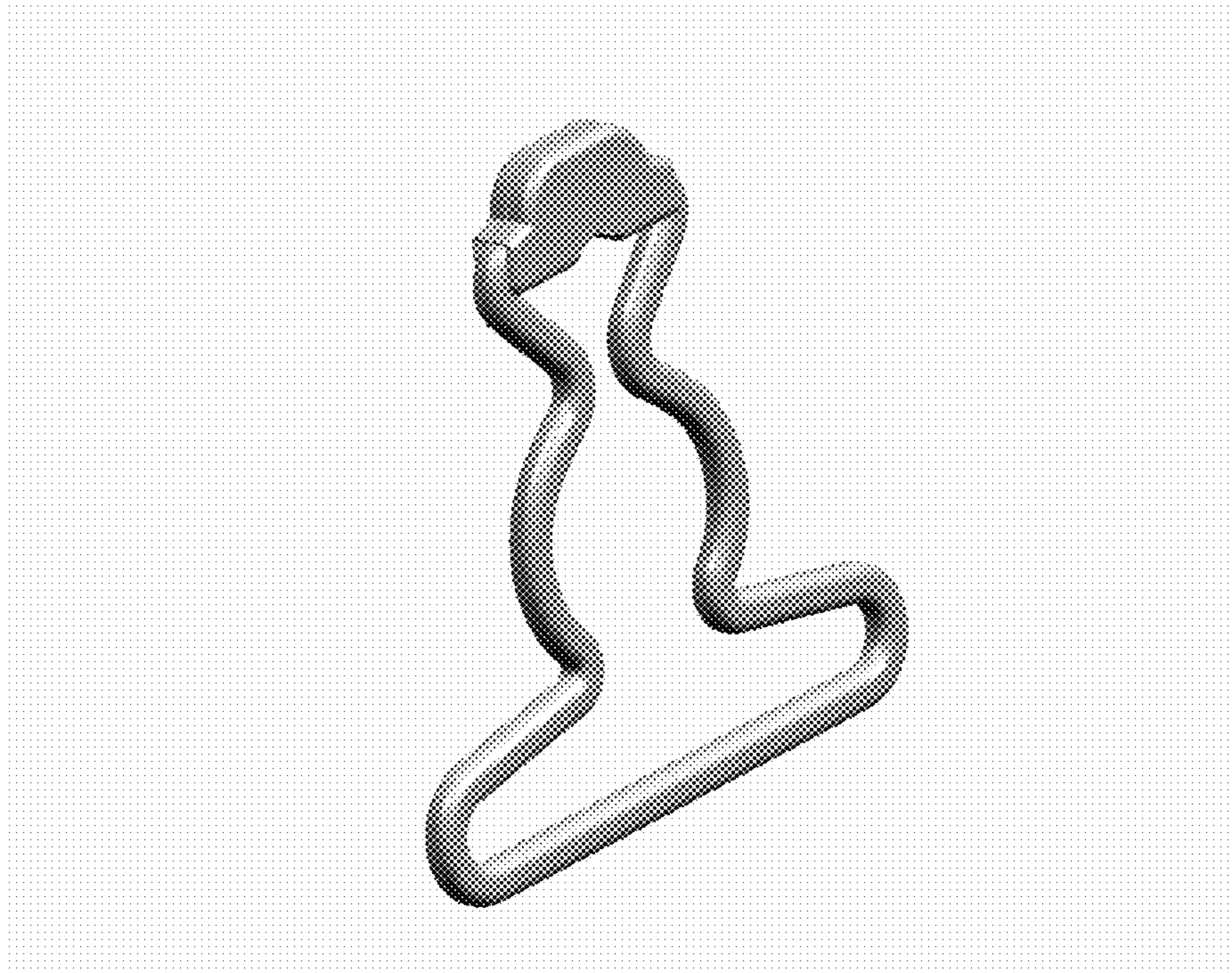


Fig. 7

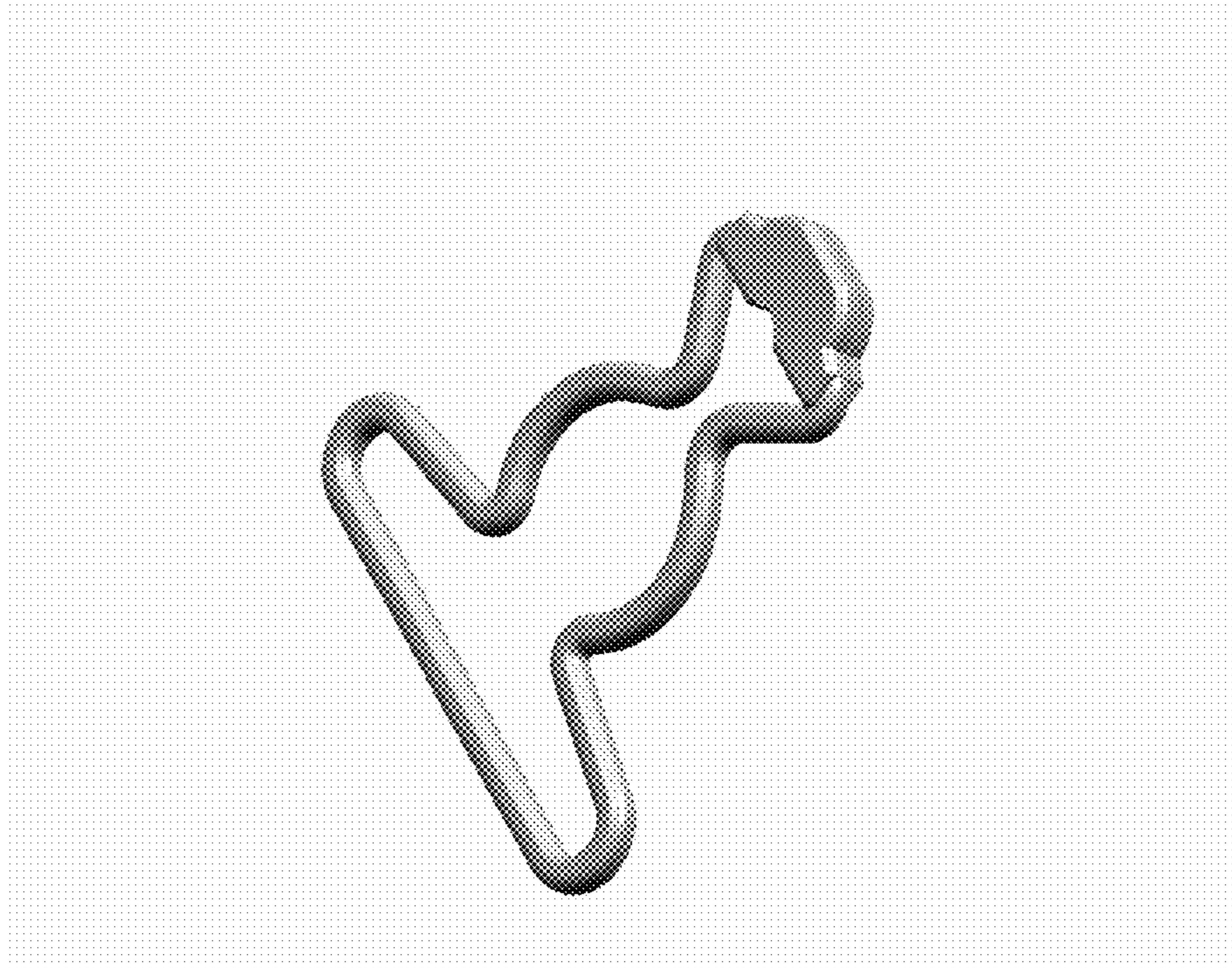


Fig. 8

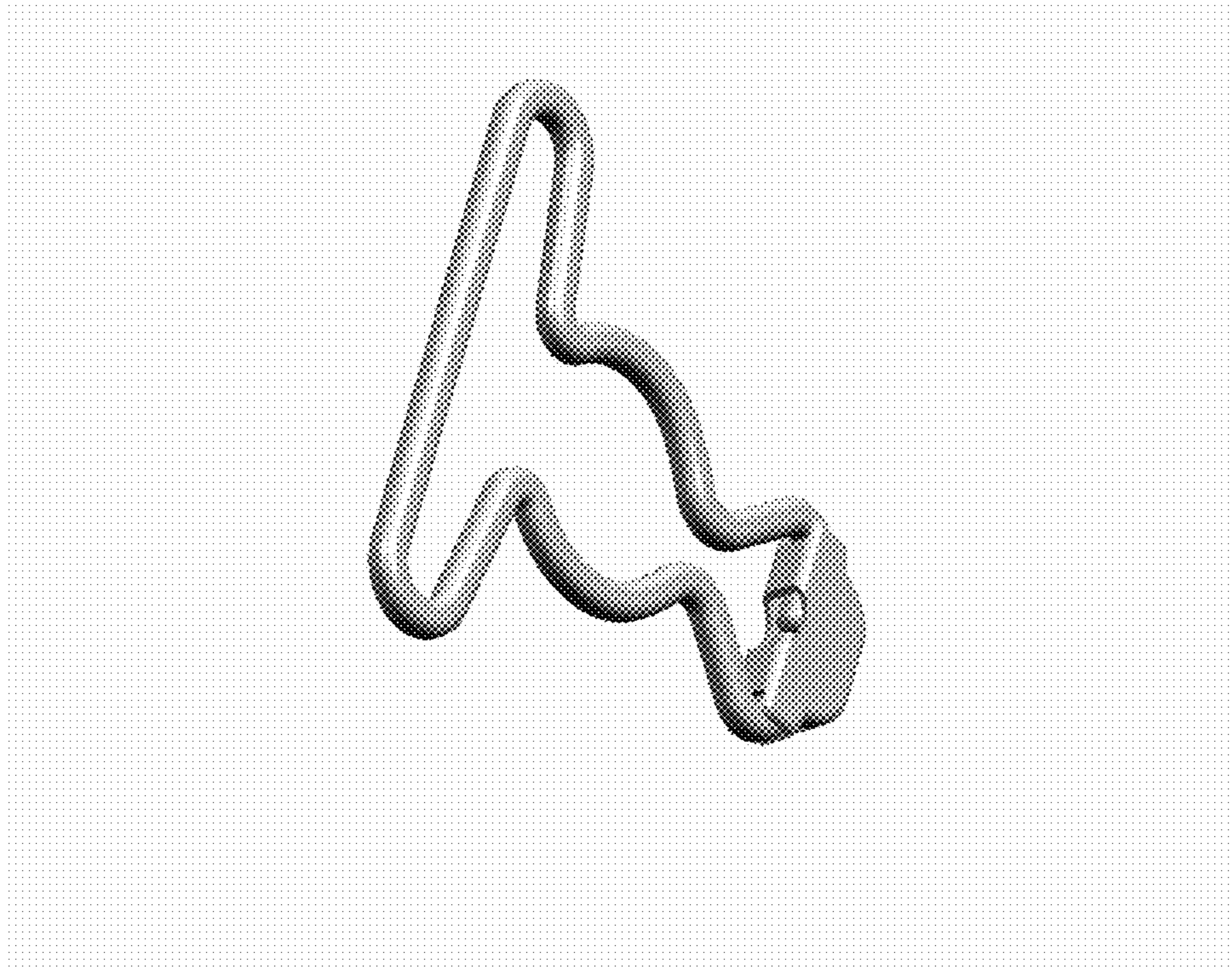


Fig. 9

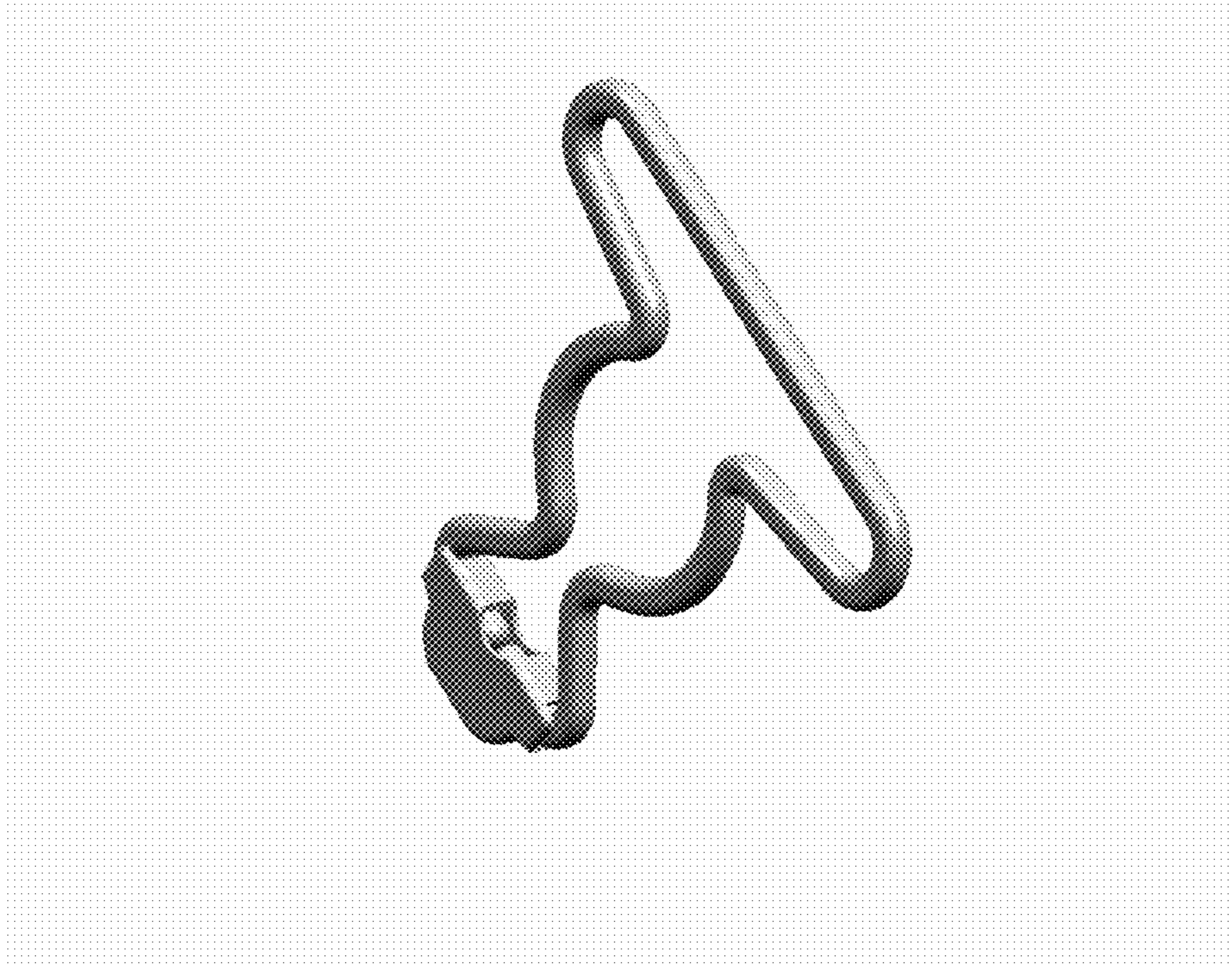


Fig. 10

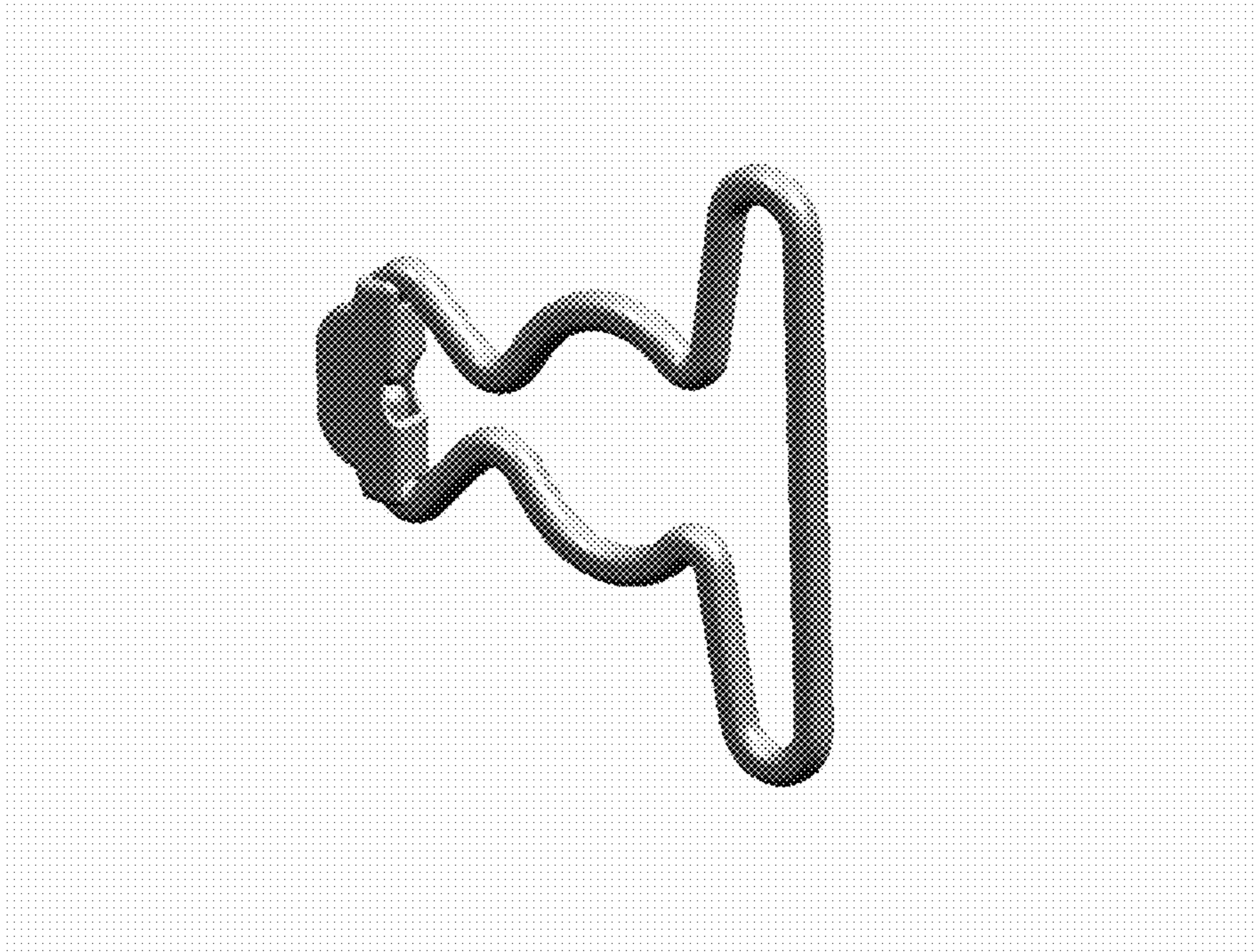


Fig. 11

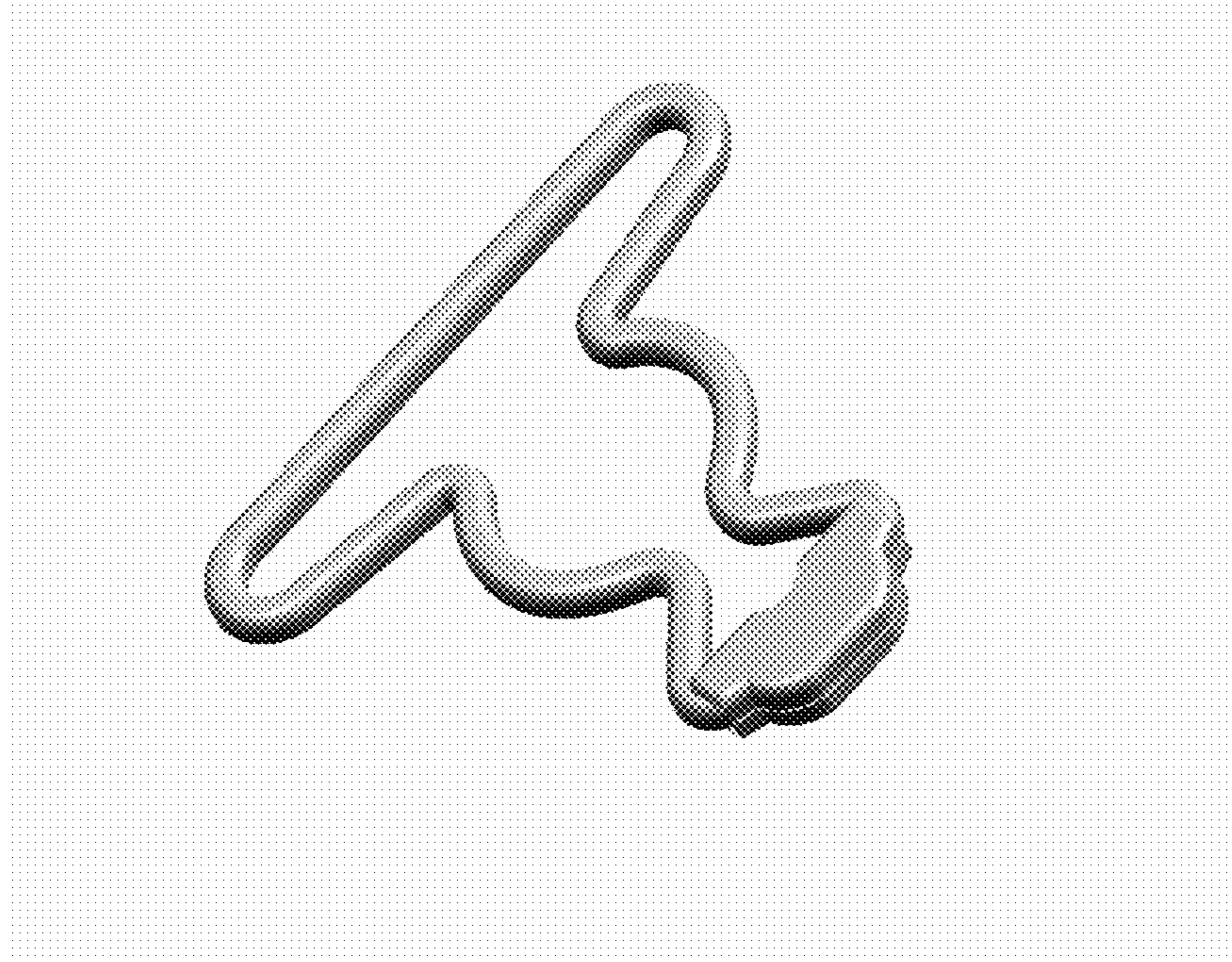


Fig. 12