



US00D801214S

(12) **United States Design Patent**
Zander

(10) **Patent No.:** **US D801,214 S**
(45) **Date of Patent:** **** Oct. 31, 2017**

- (54) **TIE CLIP**
- (71) Applicant: **Montblanc-Simplo GmbH**, Hamburg (DE)
- (72) Inventor: **Jan Zander**, Hamburg (DE)
- (73) Assignee: **Montblanc-Simplo GmbH**, Hamburg (DE)
- (**) Term: **15 Years**
- (21) Appl. No.: **29/552,105**
- (22) Filed: **Jan. 20, 2016**
- (51) **LOC (10) Cl.** **02-07**
- (52) **U.S. Cl.**
USPC **D11/202**
- (58) **Field of Classification Search**
USPC D11/200–220, 78.1, 222; 24/49.1, 65, 24/66.4, 66.5, 66.6
CPC A44B 6/00; A44B 9/12; A44C 1/00
See application file for complete search history.

- D124,227 S * 12/1940 Baer 24/11 F
- D141,738 S * 7/1945 Glastal D11/202
- D160,003 S * 9/1950 Moulson D11/202
- 2,599,921 A * 6/1952 Johnson A44B 6/00
223/1.1
- 4,422,306 A * 12/1983 Larson A44C 1/00
224/182

* cited by examiner

Primary Examiner — Ralf T Seifert
(74) *Attorney, Agent, or Firm* — Taft Stettinius & Hollister LLP

(56) **References Cited**

U.S. PATENT DOCUMENTS

- 1,381,846 A * 6/1921 Maker A44B 6/00
24/563
- 1,488,594 A * 4/1924 Gaschke A41F 15/02
24/543

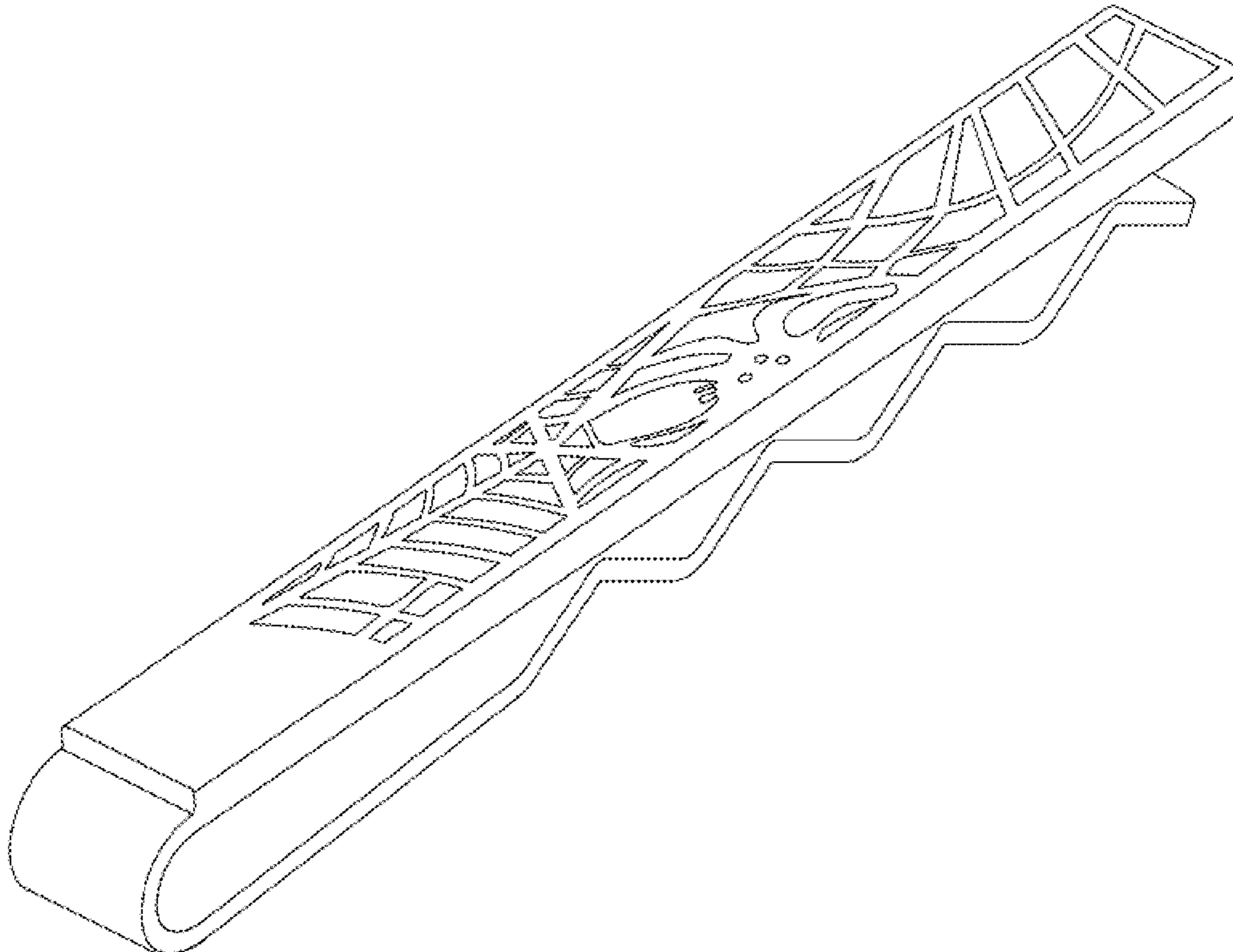
(57) **CLAIM**

The ornamental design for a tie clip, as shown and described.

DESCRIPTION

FIG. 1 is a front elevational view of a tie clip showing my new design;
FIG. 2 is a rear elevational view thereof;
FIG. 3 is a right side elevational view thereof;
FIG. 4 is a left side elevational view thereof;
FIG. 5 is a bottom plan view thereof
FIG. 6 is a top plan view thereof;
FIG. 7 is a left, front perspective view thereof; and,
FIG. 8 is a right, rear perspective view thereof.

1 Claim, 1 Drawing Sheet



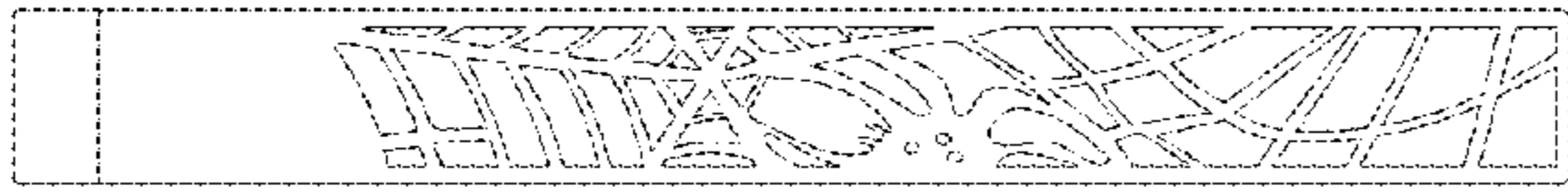


Fig. 1



Fig. 2

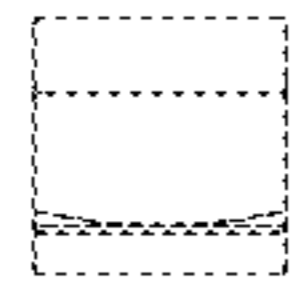


Fig. 3

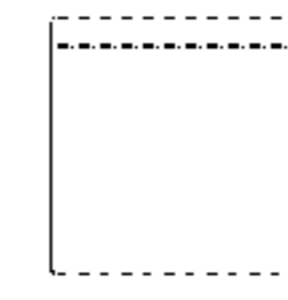


Fig. 4

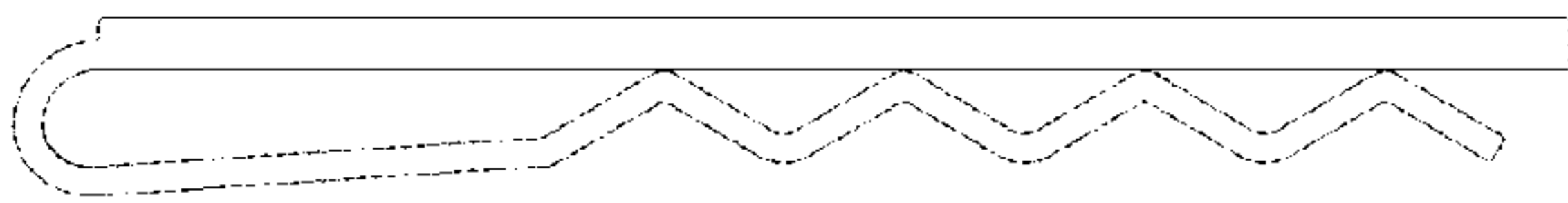


Fig. 5

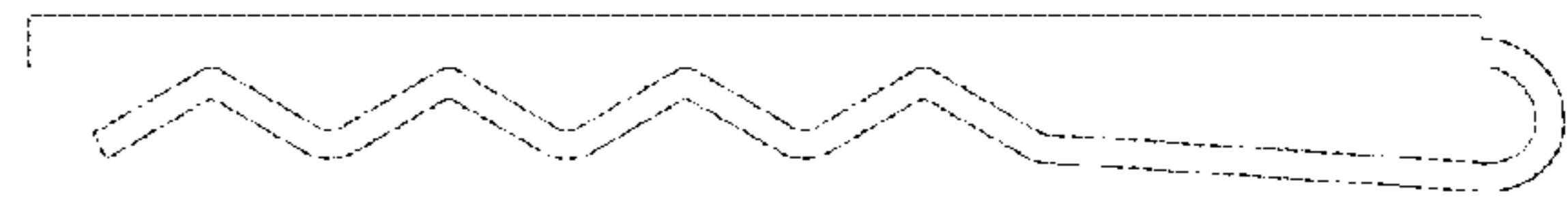


Fig. 6

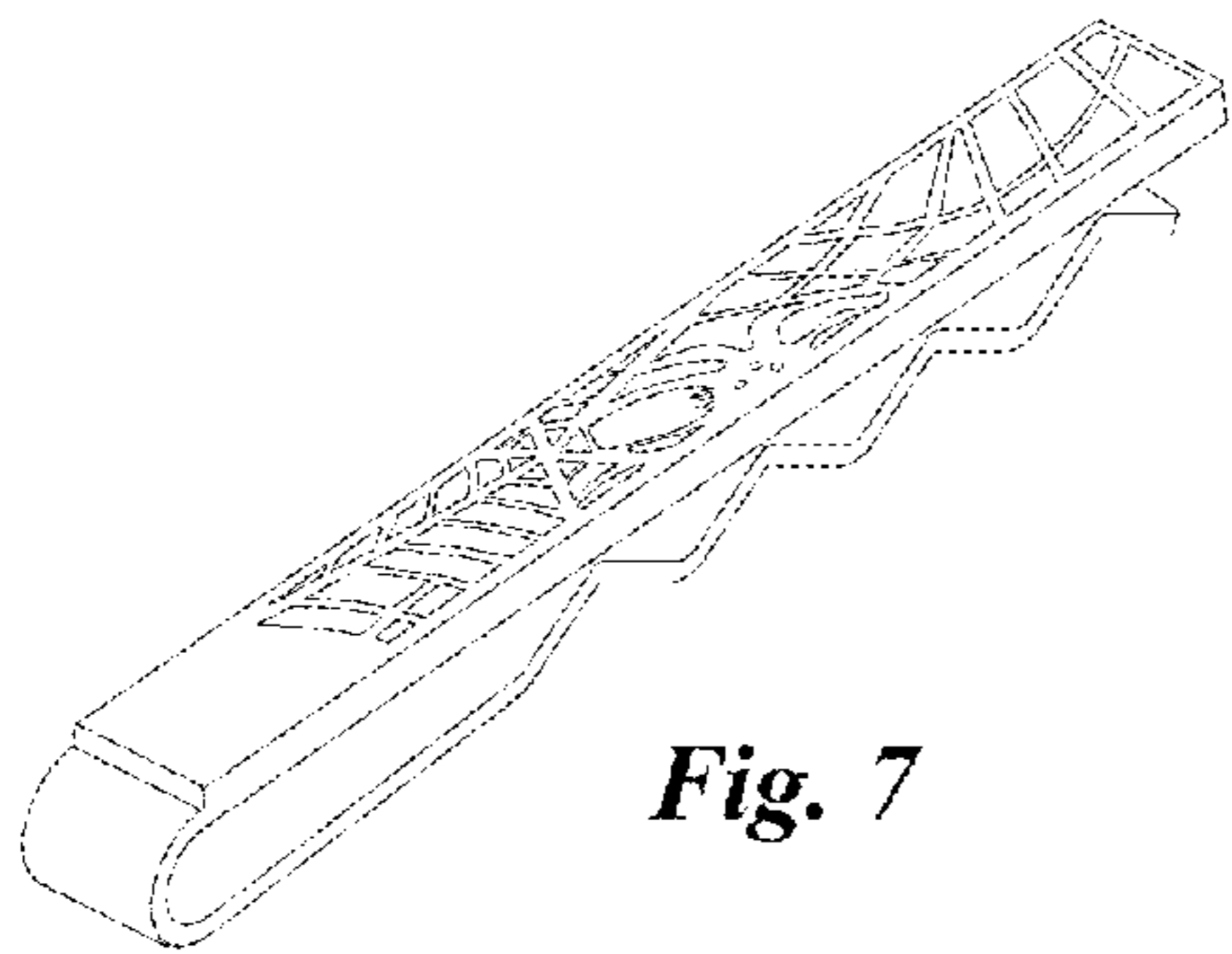


Fig. 7

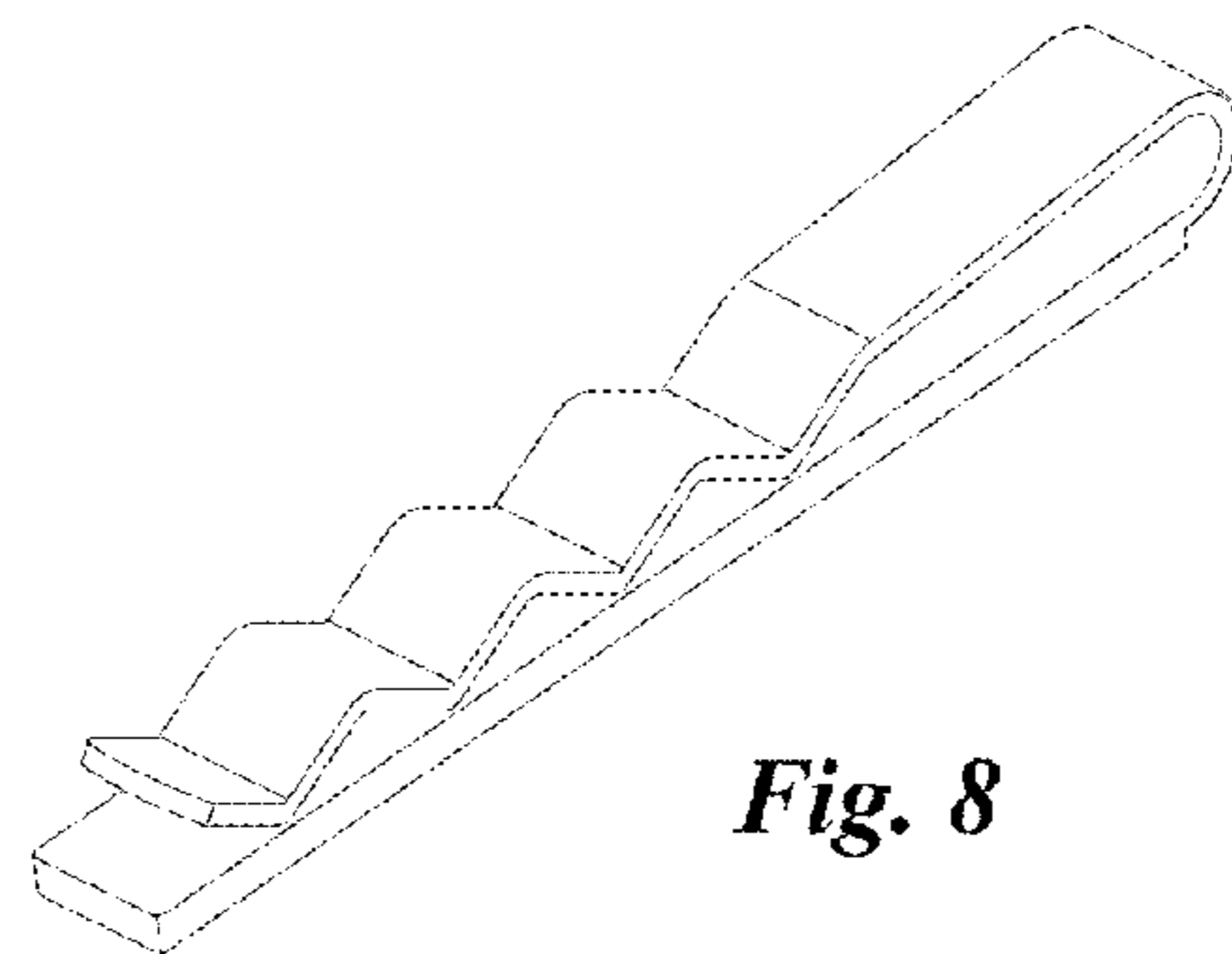


Fig. 8