



US00D801213S

(12) **United States Design Patent** (10) **Patent No.:** **US D801,213 S**
Kim (45) **Date of Patent:** **** Oct. 31, 2017**

(54) **HYDROPONIC DEVICE**
(71) Applicant: **MIRAKHL CO., LTD.**, Seoul (KR)
(72) Inventor: **Jung Sun Kim**, Incheon (KR)
(73) Assignee: **MIRAKHL CO., LTD.**, Seoul (KR)
(**) Term: **15 Years**
(21) Appl. No.: **29/565,674**
(22) Filed: **May 24, 2016**

(30) **Foreign Application Priority Data**
Apr. 7, 2016 (KR) 30-2016-0016236
(51) **LOC (10) Cl.** **11-02**
(52) **U.S. Cl.**
USPC **D11/155**
(58) **Field of Classification Search**
USPC D11/155, 143, 156, 164; D24/107, 230,
D24/232; 47/66.5, 66.6, 73, 77, 85-87,
47/901; 206/558, 562, 563, 564
CPC A01G 9/04; A01G 9/10
See application file for complete search history.

(56) **References Cited**
U.S. PATENT DOCUMENTS
3,142,133 A * 7/1964 Brooks A01G 9/104
206/423
3,992,809 A * 11/1976 Chew A01G 31/02
47/62 R
4,296,569 A * 10/1981 Edwards A01G 9/1066
47/73
4,355,484 A * 10/1982 Mandish A01G 31/02
47/63

D616,269 S * 5/2010 Kulzer D7/701
7,866,090 B2 * 1/2011 Langezaal A01G 9/1086
47/58.1 R
D710,024 S * 7/2014 Guo D24/230
8,910,418 B2 * 12/2014 Khoo A01G 9/00
47/59 R
2007/0108089 A1 * 5/2007 Galluch A21B 3/132
206/558
2008/0250711 A1 * 10/2008 Everhardus Lucas Langezaal
..... A01G 9/1086
47/77
2011/0056865 A1 * 3/2011 Dikselis A61J 1/03
206/564

* cited by examiner

Primary Examiner — Manpreet Matharu
Assistant Examiner — Rebecca Tsehaye
(74) *Attorney, Agent, or Firm* — Revolution IP, PLLC

(57) **CLAIM**

The ornamental design for a hydroponic device, as shown and described.

DESCRIPTION

FIG. 1 illustrates the overall shape of a hydroponic device showing my new design.
FIG. 2 illustrates the front of the design.
FIG. 3 illustrates the back of the design.
FIG. 4 illustrates the left side of the design.
FIG. 5 illustrates the right side of the design.
FIG. 6 illustrates the top of the design; and,
FIG. 7 illustrates the bottom of the design.
The broken lines in the drawings depict portions of the hydroponic device that form no part of the claimed design.

1 Claim, 7 Drawing Sheets

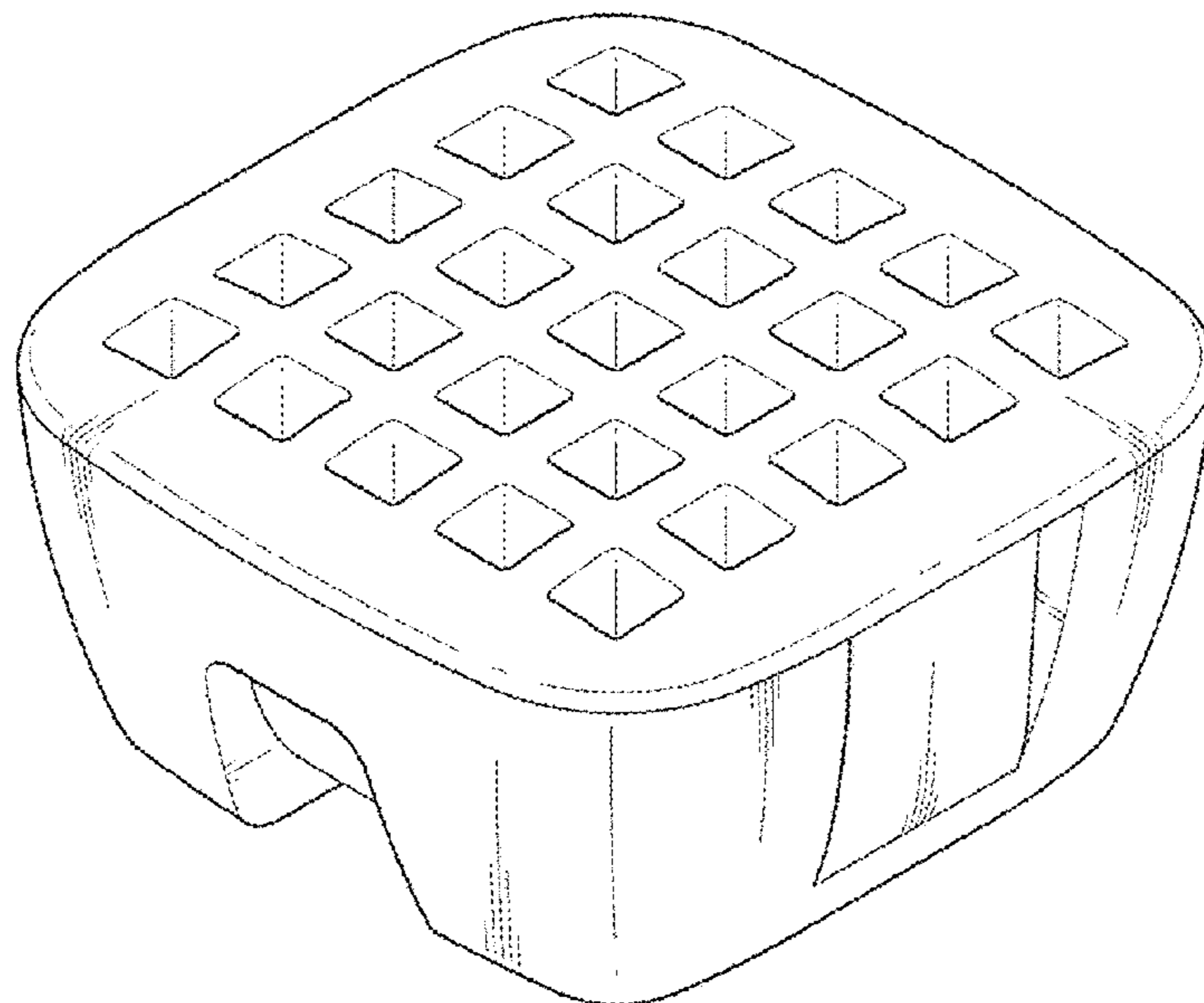


FIG 1

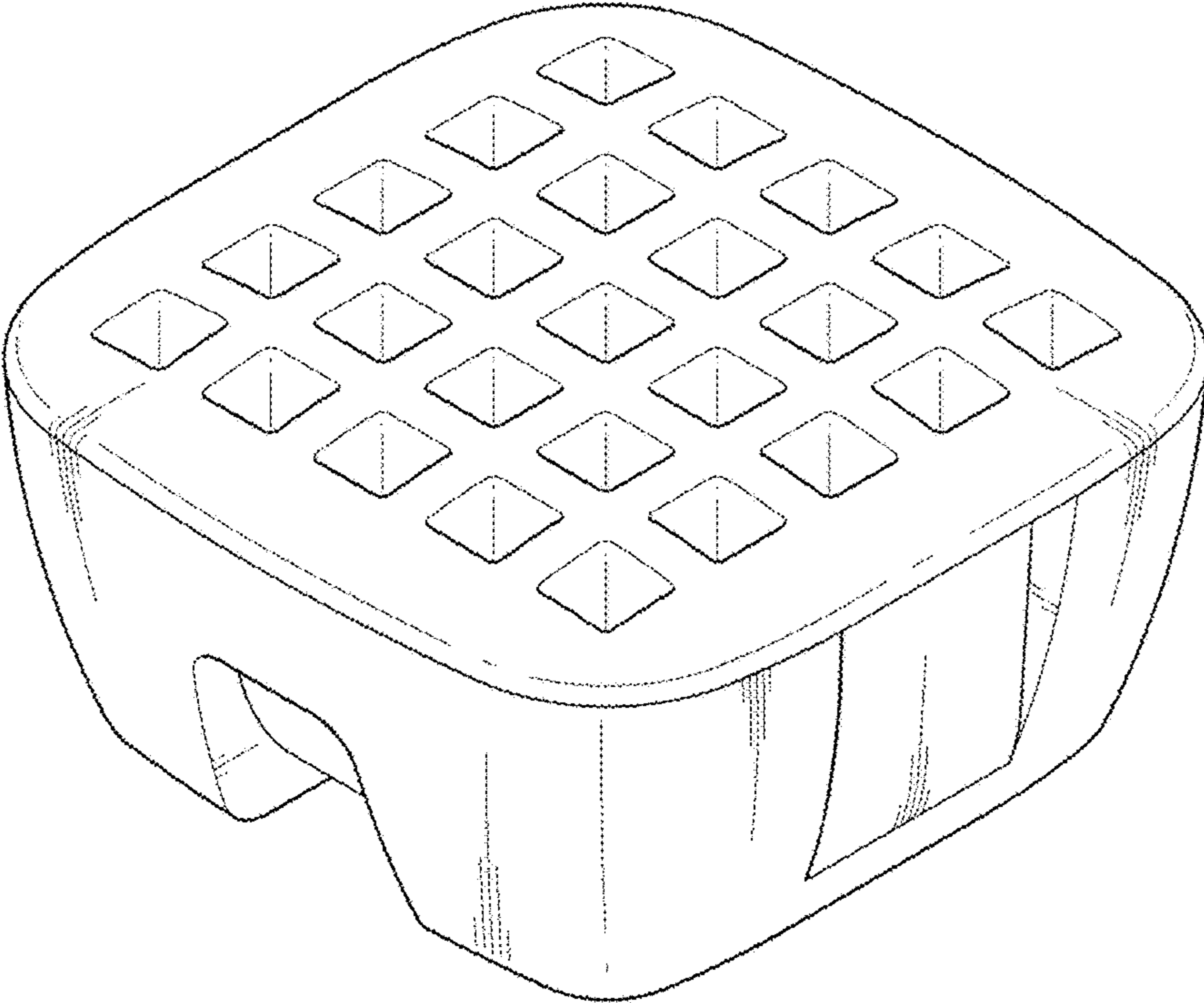


FIG. 2

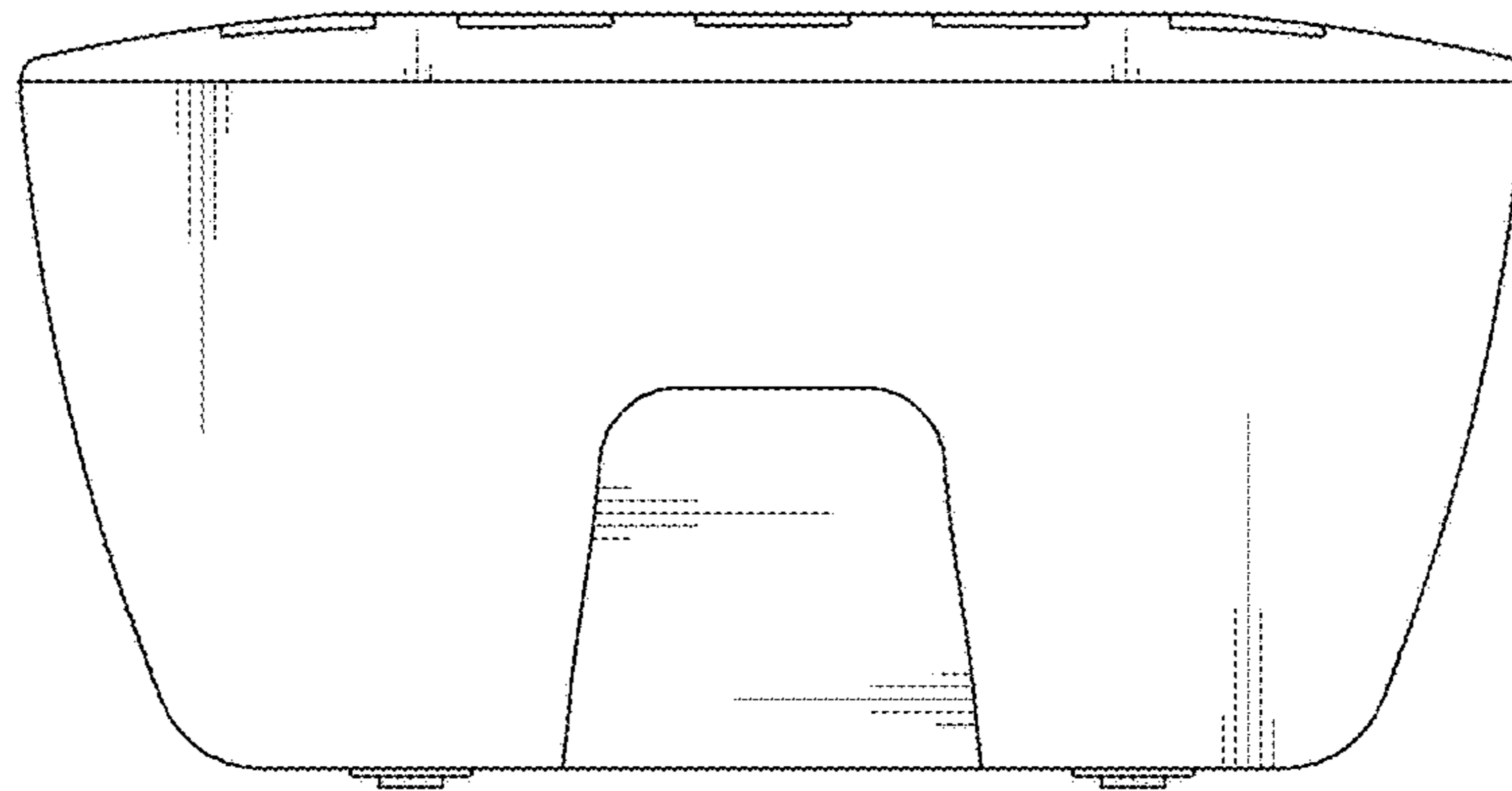


FIG. 3

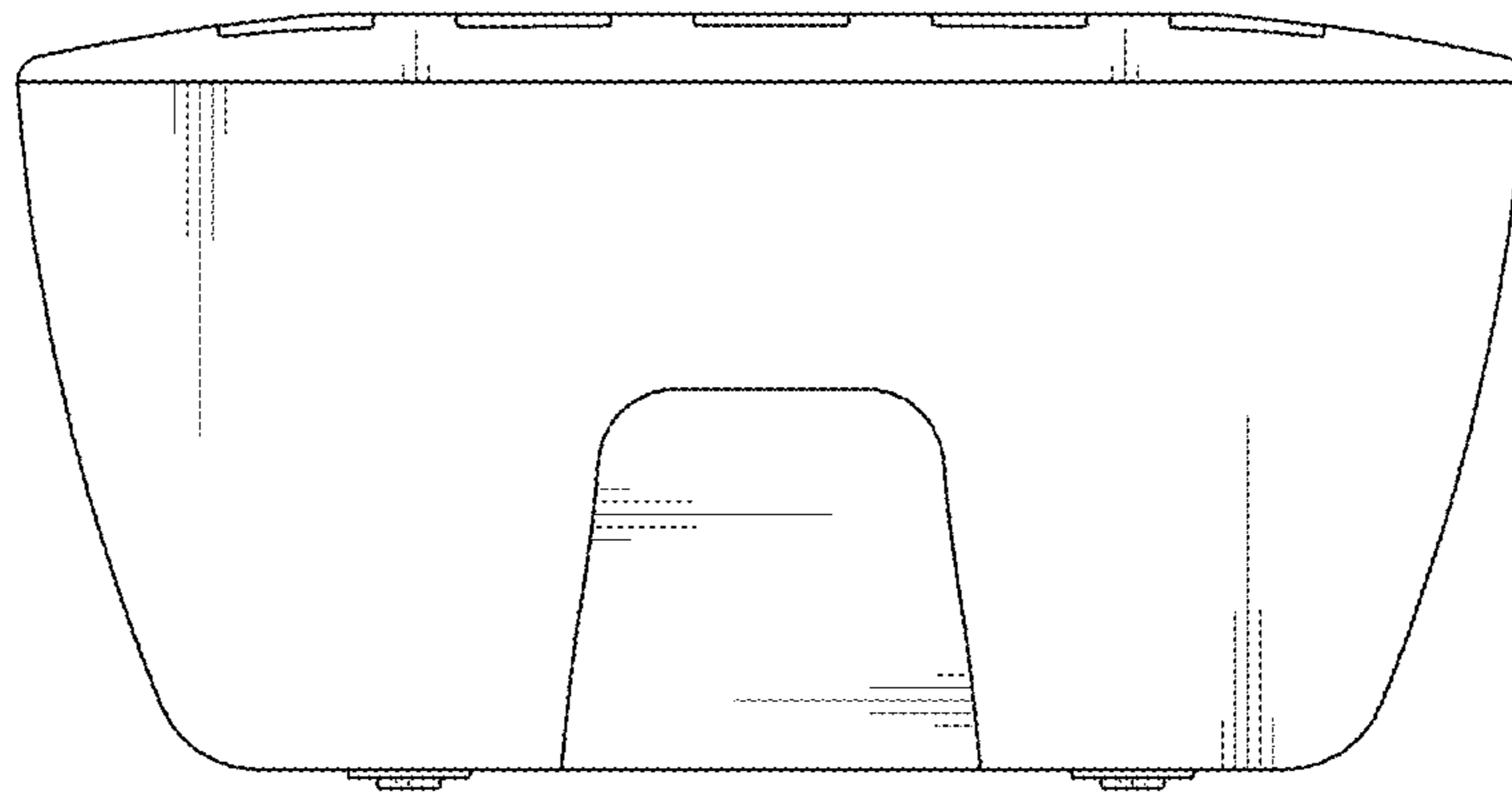


FIG. 4

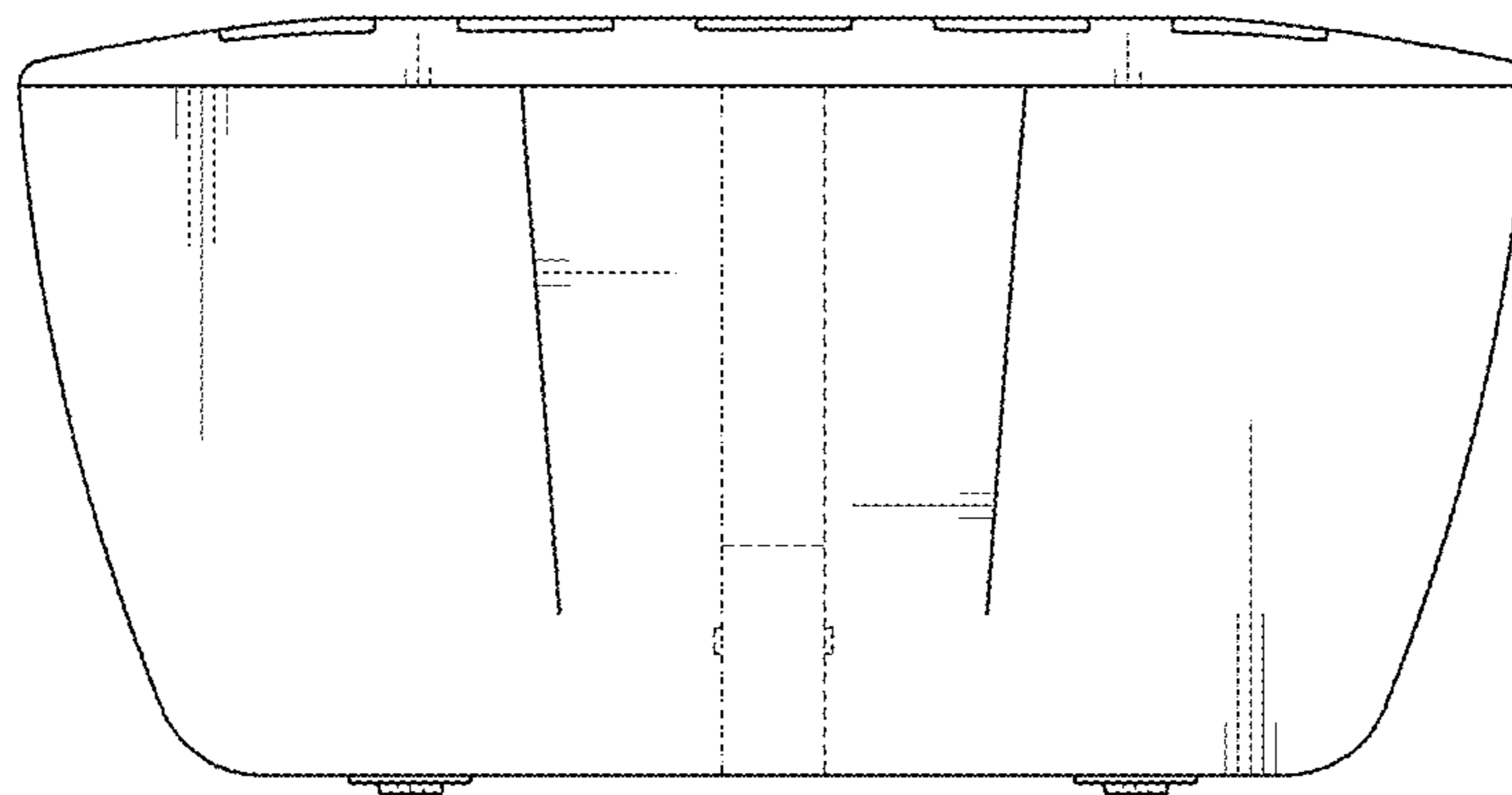


FIG. 5

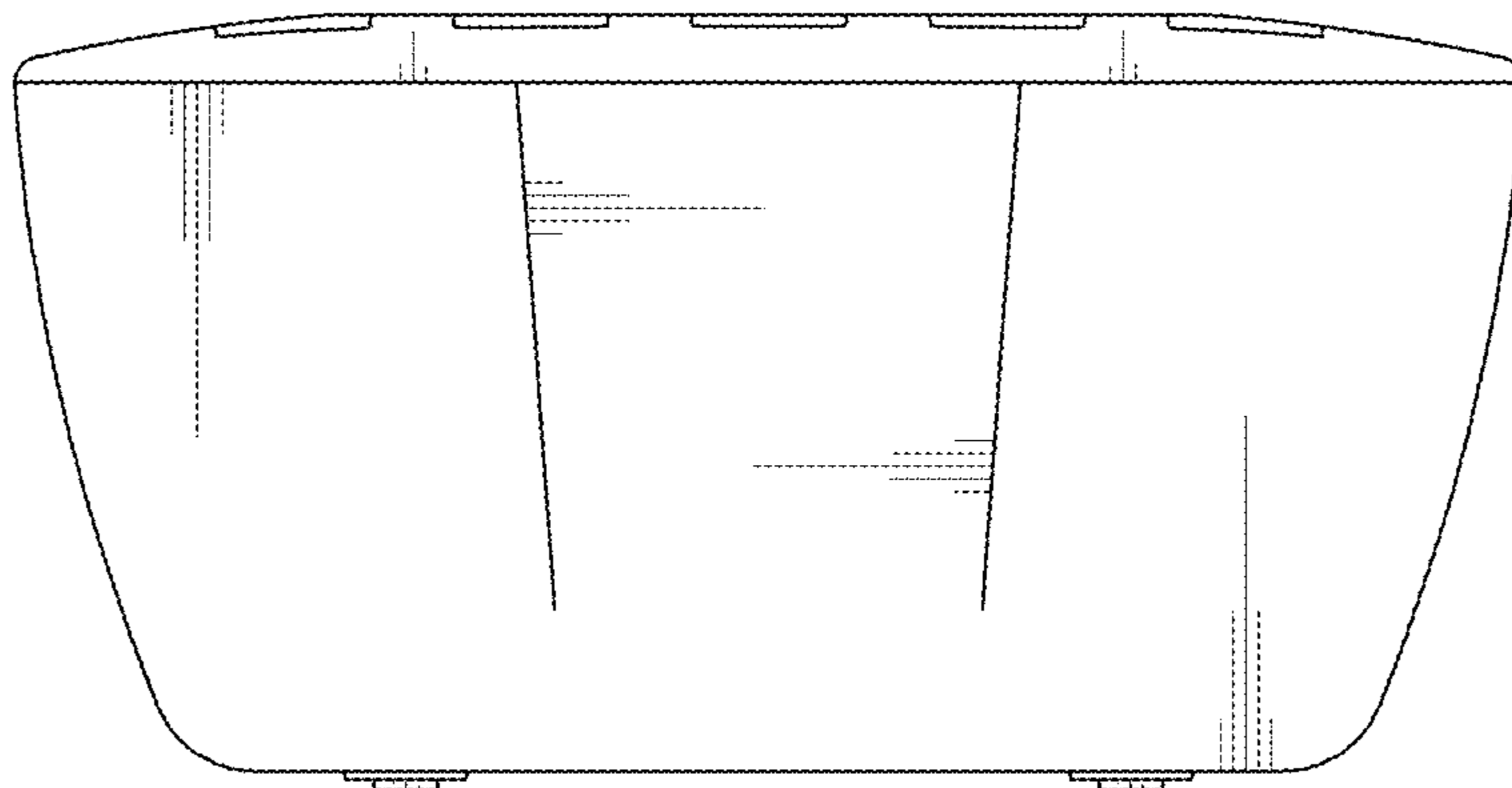


FIG. 6

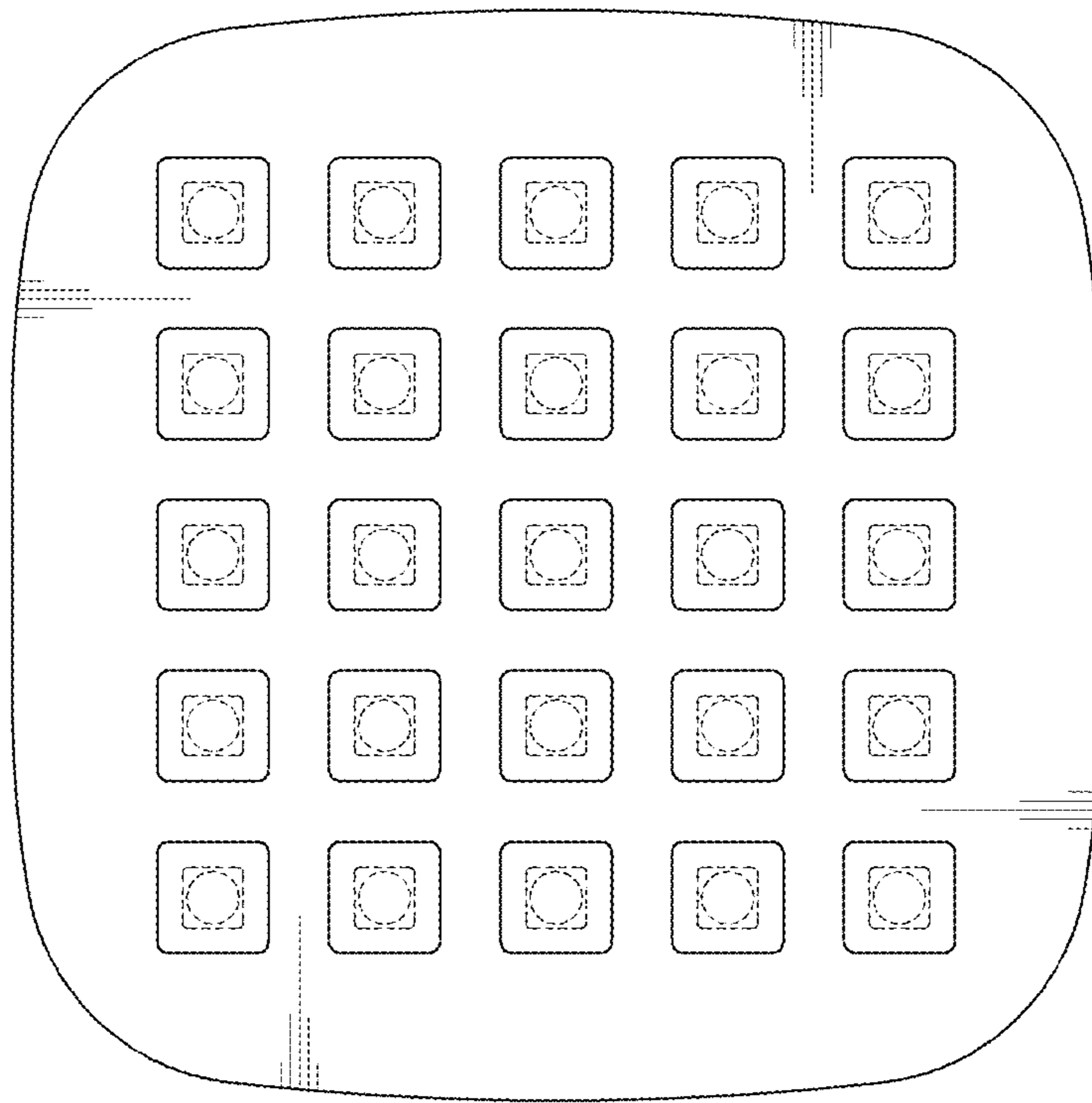


FIG. 7

