



US00D801208S

(12) **United States Design Patent**
Rafaelian

(10) **Patent No.:** **US D801,208 S**

(45) **Date of Patent:** **** *Oct. 31, 2017**

(54) **BRACELET**

(71) Applicant: **Alex and Ani, LLC**, Cranston, RI (US)

(72) Inventor: **Carolyn A. Rafaelian**, Cranston, RI (US)

(73) Assignee: **Alex and Ani, LLC**, Cranston, RI (US)

(*) Notice: This patent is subject to a terminal disclaimer.

(**) Term: **15 Years**

(21) Appl. No.: **29/557,586**

(22) Filed: **Mar. 10, 2016**

(51) **LOC (10) Cl.** **11-01**

(52) **U.S. Cl.**
USPC **D11/5**

(58) **Field of Classification Search**

USPC D11/1-39; D28/41
CPC .. A44C 5/00; A44C 5/10; A44C 5/022; A44C 5/025; A44C 5/145; A44C 5/0007; A44C 5/0061; A44C 5/0076; A44C 5/0084; A44C 5/0092; A44C 5/2071; A44C 5/2085; A44C 9/0038; A44C 9/0053; A44C 17/02; A44C 5/0069; A44C 5/142

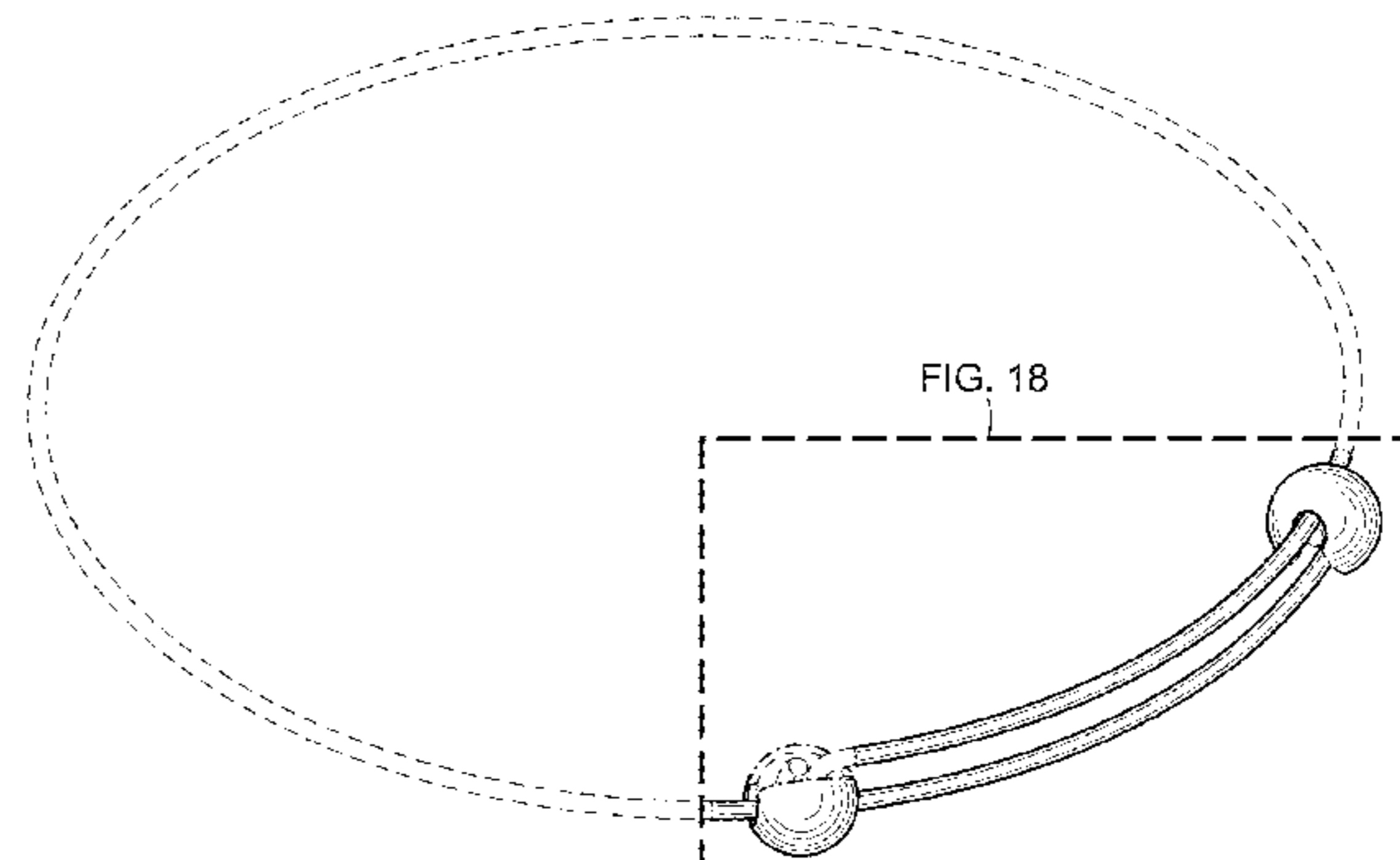
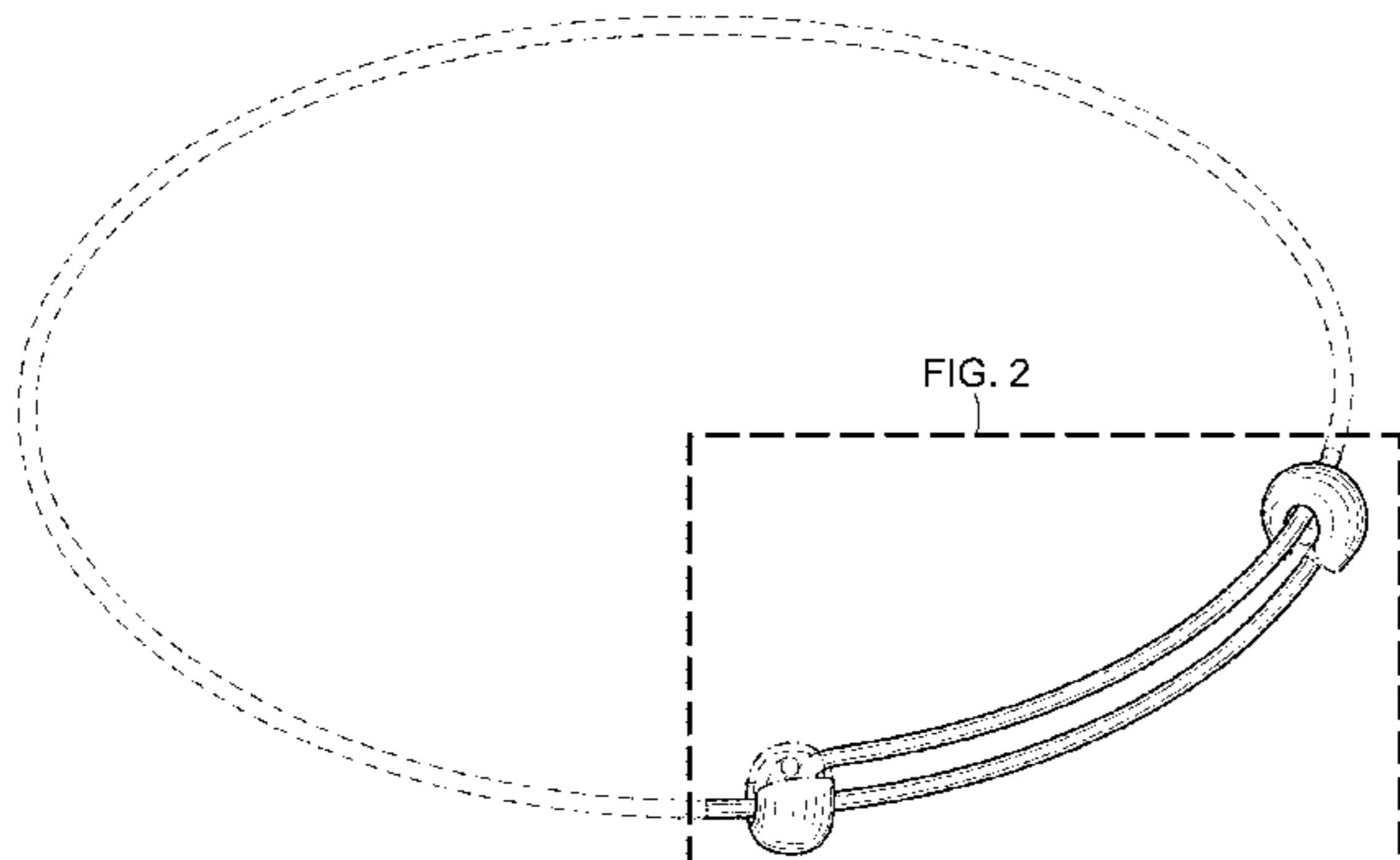
See application file for complete search history.

(56) **References Cited**

U.S. PATENT DOCUMENTS

118,294 A	8/1871	Stevens
D14,438 S	11/1883	Ahn
393,239 A	11/1888	Johnstone
421,615 A	2/1890	Riker
933,303 A	5/1911	Kirby
1,124,518 A	1/1915	Qvarnstrom
D69,012 S	12/1925	Dalin
2,462,425 A	2/1949	Pratt et al.
D224,257 S	7/1972	Lee
D245,834 S	9/1977	Wilbert
4,321,804 A	3/1982	Borofsky et al.
4,334,413 A	6/1982	Gaston et al.
D267,159 S	12/1982	Borofsky

D268,013 S	2/1983	Stimmler
D295,267 S	4/1988	Saraga
5,247,814 A	9/1993	McDonald
5,307,582 A	5/1994	Quintel
D382,829 S	8/1997	Hoffman
D439,192 S	3/2001	Ruscitti
D472,177 S	3/2003	McCullough-McPherson
6,564,582 B1	5/2003	Brachfeld
D487,709 S	3/2004	Ferlise
D498,167 S	11/2004	Ferlise
D525,553 S	7/2006	Toupet
D619,026 S	7/2010	Papadimitriou
D658,085 S	4/2012	Rafaelian
D658,086 S	4/2012	Rafaelian
D658,087 S	4/2012	Rafaelian
D658,088 S	4/2012	Rafaelian
D658,089 S	4/2012	Rafaelian
D658,528 S	5/2012	Rafaelian
D662,849 S	7/2012	Rafaelian
D663,232 S	7/2012	Rafaelian
D663,233 S	7/2012	Rafaelian
D664,466 S	7/2012	Rafaelian
D669,115 S *	10/2012	Kalbach D16/339
D669,385 S	10/2012	Rafaelian
D672,678 S *	12/2012	Nadeau D11/11
D678,102 S	3/2013	Rafaelian
D686,520 S	7/2013	Rafaelian
D700,860 S	3/2014	Nadeau
D703,087 S	4/2014	Fiasconaro
D703,088 S	4/2014	Fiasconaro
D704,085 S	5/2014	DiPietro
D704,086 S *	5/2014	DiPietro D11/5
D704,087 S *	5/2014	DiPietro D11/5
D706,665 S	6/2014	Goldwitz
D707,149 S	6/2014	Ovadia
D707,582 S *	6/2014	DiPietro D11/5
D708,088 S	7/2014	DeCristofaro
D709,789 S *	7/2014	Soares D11/5
8,769,986 B1 *	7/2014	DiPietro A44C 5/0092 63/3.1
RE45,079 E	8/2014	Ferlise
D710,738 S *	8/2014	Kim D11/4
D716,175 S	10/2014	Rosenel
D724,470 S	3/2015	Rafaelian
D724,471 S	3/2015	Blondet
D724,472 S	3/2015	Blondet
D724,473 S	3/2015	Blondet
D724,474 S	3/2015	Blondet
D724,475 S	3/2015	Lux
D724,985 S	3/2015	Blondet
D724,986 S	3/2015	Blondet
D729,101 S	5/2015	Rafaelian
D738,773 S	9/2015	Rafaelian



9,301,580 B1 4/2016 Rafaelian
 2007/0022778 A1 2/2007 Ferlise
 2014/0090215 A1 4/2014 Lixenberg

FOREIGN PATENT DOCUMENTS

CA	154431	10/2014
CA	160435	3/2016
EP	1 038 463 A1	9/2000
GB	233872 A	5/1925
JP	1177437 S	6/2003
JP	1268404 S	4/2006
JP	1496501 S	5/2014
KR	3008138520000	9/2005

OTHER PUBLICATIONS

[No Author Listed] Sterling Silver Adjustable “Live Laugh Love” Graffiti Charm Bangle Bracelet. Webpage from Oct. 14, 2016. <https://amzn.com/B00M10MAH4>.

Hinks, Victorian Jewellery. pp. 41, 97, 200, 201, 204. 1991. 6 pages.

[No Author Listed] Illustrated Jewelry Catalog 1892. The New England Jeweler. 1998; p. 52.

[No Author Listed] How to make a sliding adjustable necklace. Rings & Things Jewelry Making Blog. Jun. 2011. <http://www.rings-things.com/blog/2011/06/23/how-to-make-a-sliding-adjustable-necklace/> [accessed Dec. 12, 2014]. 3 pages.

[No Author Listed] Rings & Things Blog. Jun. 23, 2011. <http://www.rings-things.com/blog/2011/06/#.VDRi6fldUWY>. 1 page.

[No Author Listed] Sterling Silver Black Leather Expandable Cord Bracelet #312709—IceCarats. <http://www.icecarats.com/sterling-silver-black-leather-expandable-cord-bracelet-312709...> [accessed Dec. 12, 2014]. 4 pages.

[No Author Listed] Sterling Silver Claddagh Baby Childrens Bracelet Expandable 6.5 in. BlingJewelry.com http://www.blingjewelry.com/bling-jewelry-sterling-silver-claddagh-baby-childrens-bangle-bracelet-expandable.html?gclid=CjwKEAjwns6hBRDTpb_jkbTvi1UYSJACBhberDYKsTmUeeL1zKQhqmXJpCt5R0FaU0vmR0fDty1GSrBoCwDPw_wcB [Accessed Aug. 5, 2016]. 3 pages.

[No Author Listed] Sterling Silver Claddagh Baby Childrens Bracelet Expandable 6.5 in. http://www.blingjewelry.com/bling-jewelry-sterling-silver-claddagh-baby-childrens-bangle-bracelet-expandable.html?gclid=CjwKEAjwns6hBRDTpb_jkbTvi1UYSJACBhberDYKsTmUeeL1zKQhqmXJpCt5R0FaU0vmR0fDty1GSrBoCwDPw_wcB [Accessed at least as early as Aug. 10, 2015]. 1 page.

* cited by examiner

Primary Examiner — Garth Rademaker

Assistant Examiner — Richard Kearney

(74) *Attorney, Agent, or Firm* — Merchant & Gould P.C.

(57) **CLAIM**

The ornamental design for a bracelet, as shown and described.

DESCRIPTION

FIG. 1 is a top, front, left side, perspective view of a bracelet showing a first embodiment of my new design;

FIG. 2 is an enlarged fragmentary view showing a portion of FIG. 1;

FIG. 3 is a top, front, right side, perspective view of the bracelet;

FIG. 4 is an enlarged fragmentary view showing a portion of FIG. 3;

FIG. 5 is a top plan view of the bracelet;

FIG. 6 is an enlarged fragmentary view showing a portion of FIG. 5;

FIG. 7 is a front elevation view of the bracelet;

FIG. 8 is an enlarged fragmentary view showing a portion of FIG. 7;

FIG. 9 is a rear elevation view of the bracelet;

FIG. 10 is an enlarged fragmentary view showing a portion of FIG. 9;

FIG. 11 is a right side elevation view of the bracelet;

FIG. 12 is an enlarged fragmentary view showing a portion of FIG. 11;

FIG. 13 is a left side elevation view of the bracelet;

FIG. 14 is an enlarged fragmentary view showing a portion of FIG. 13;

FIG. 15 is a bottom plan view of the bracelet;

FIG. 16 is an enlarged fragmentary view showing a portion of FIG. 15;

FIG. 17 is a top, front, left side, perspective view showing a second embodiment thereof;

FIG. 18 is an enlarged fragmentary view showing a portion of FIG. 17;

FIG. 19 is a top, front, right side, perspective view of FIG. 17;

FIG. 20 is an enlarged fragmentary view showing a portion of FIG. 19;

FIG. 21 is a top plan view of FIG. 17;

FIG. 22 is an enlarged fragmentary view showing a portion of FIG. 21;

FIG. 23 is a front elevation view of FIG. 17;

FIG. 24 is an enlarged fragmentary view showing a portion of FIG. 23;

FIG. 25 is a rear elevation view of FIG. 17;

FIG. 26 is an enlarged fragmentary view showing a portion of FIG. 25;

FIG. 27 is a right side elevation view of FIG. 17;

FIG. 28 is an enlarged fragmentary view showing a portion of FIG. 27;

FIG. 29 is a left side elevation view showing a portion of FIG. 17;

FIG. 30 is an enlarged fragmentary view showing a portion of FIG. 29;

FIG. 31 is a bottom plan view of FIG. 17; and,

FIG. 32 is an enlarged fragmentary view showing a portion of FIG. 31.

The dash-dash broken lines represent portions of the bracelet that form no part of the claimed design. The dot-dash broken lines represent boundaries of the claimed design and form no part of the claimed design.

1 Claim, 12 Drawing Sheets

FIG. 1

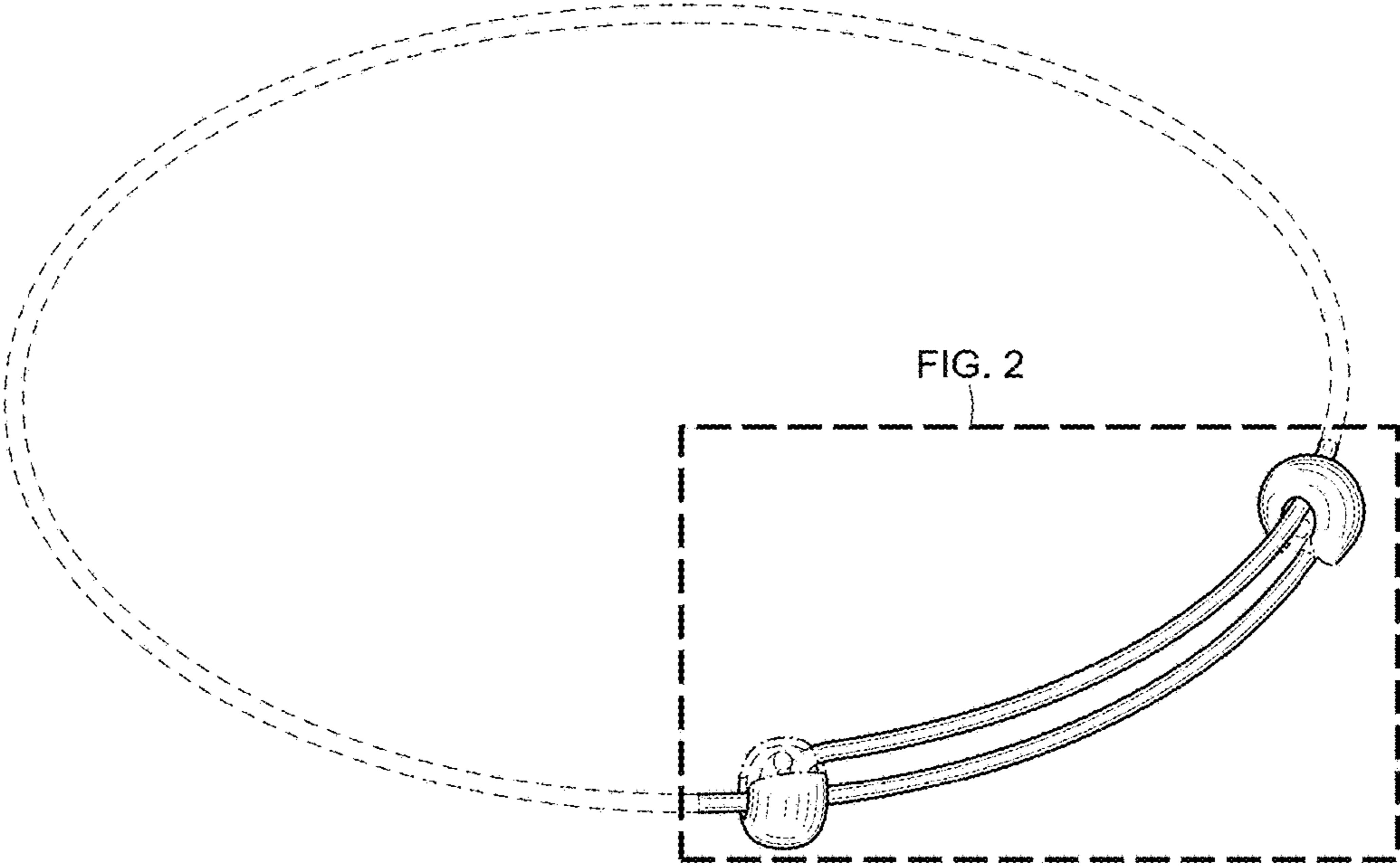


FIG. 2

FIG. 2

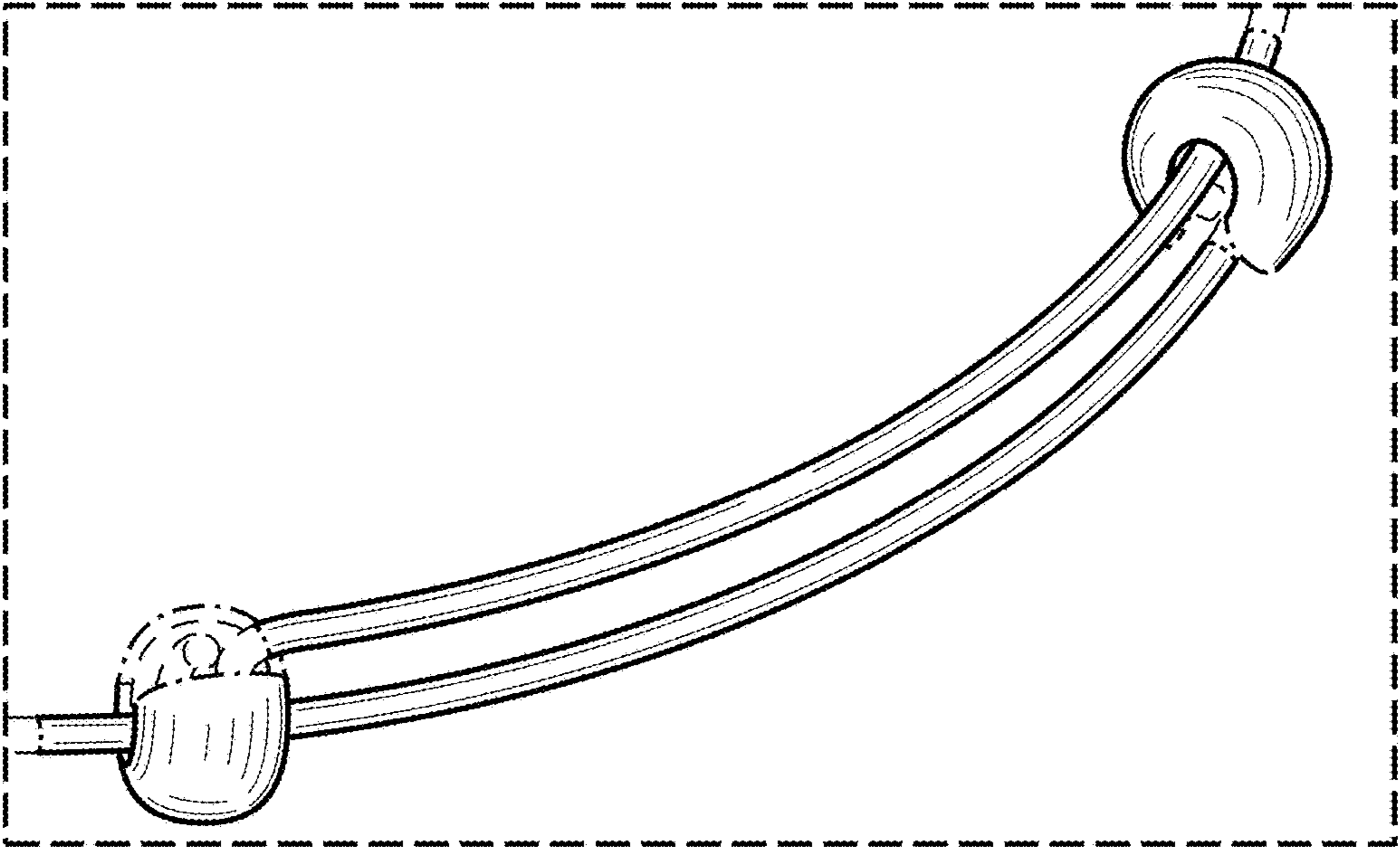


FIG. 3

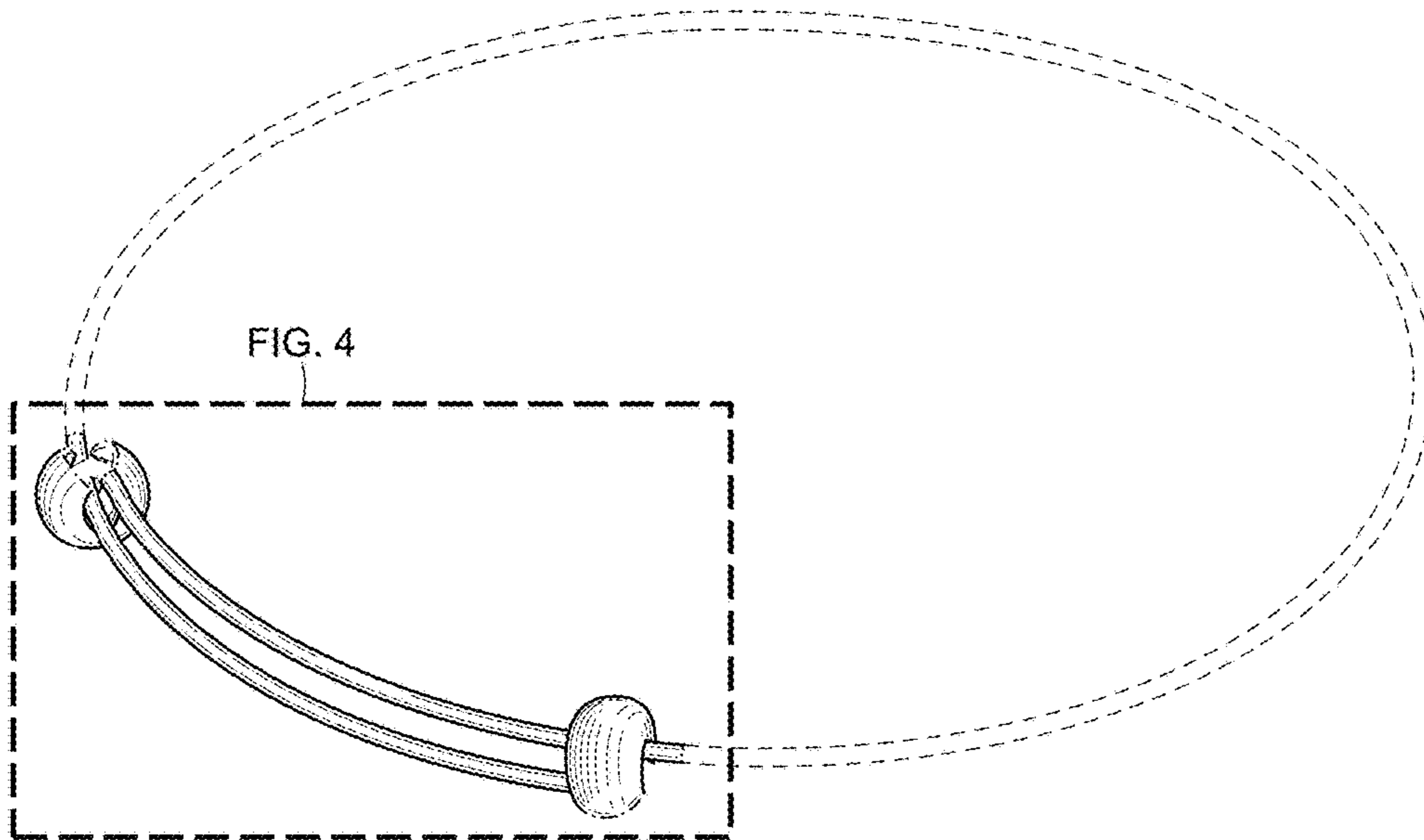


FIG. 4

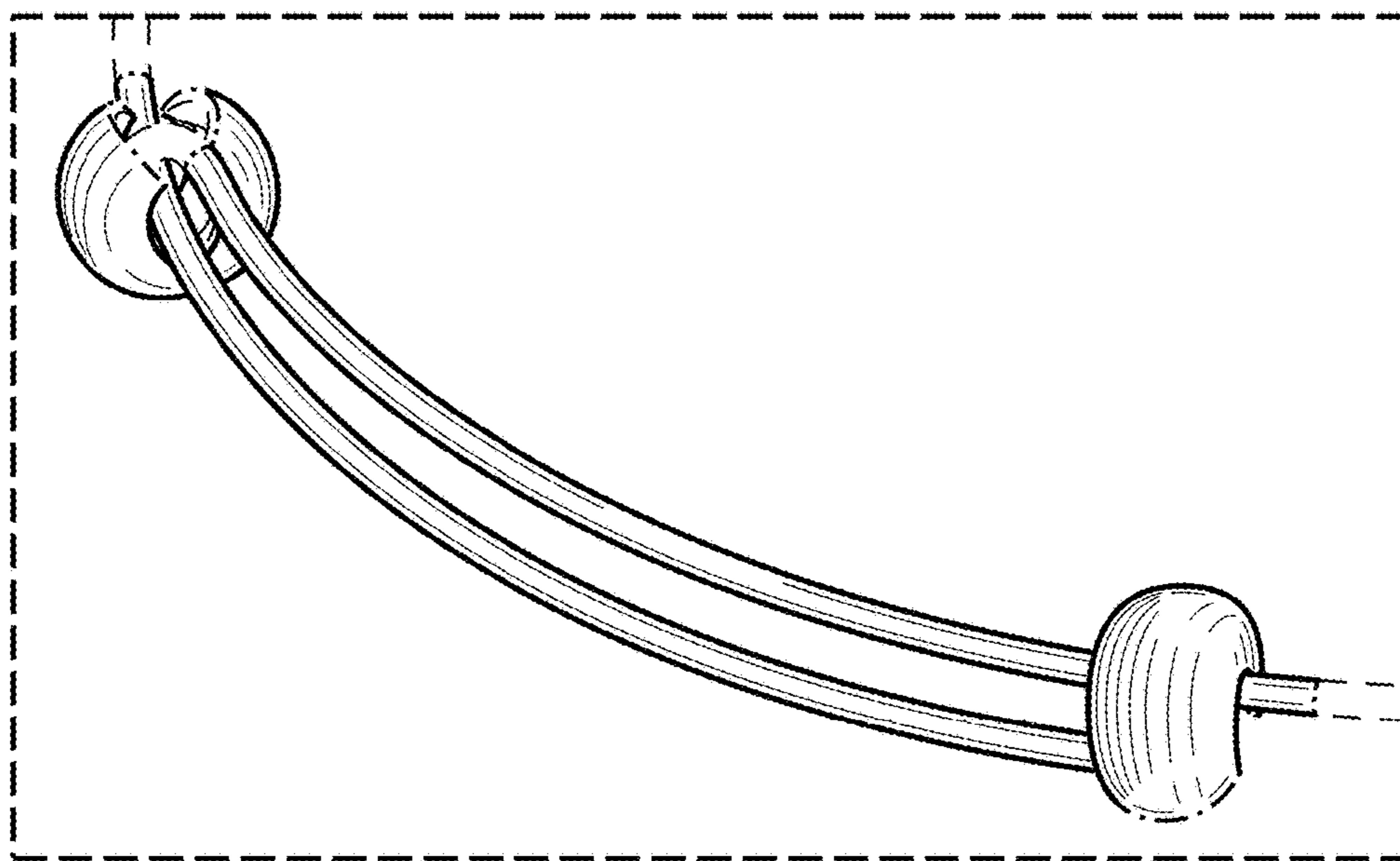


FIG. 5

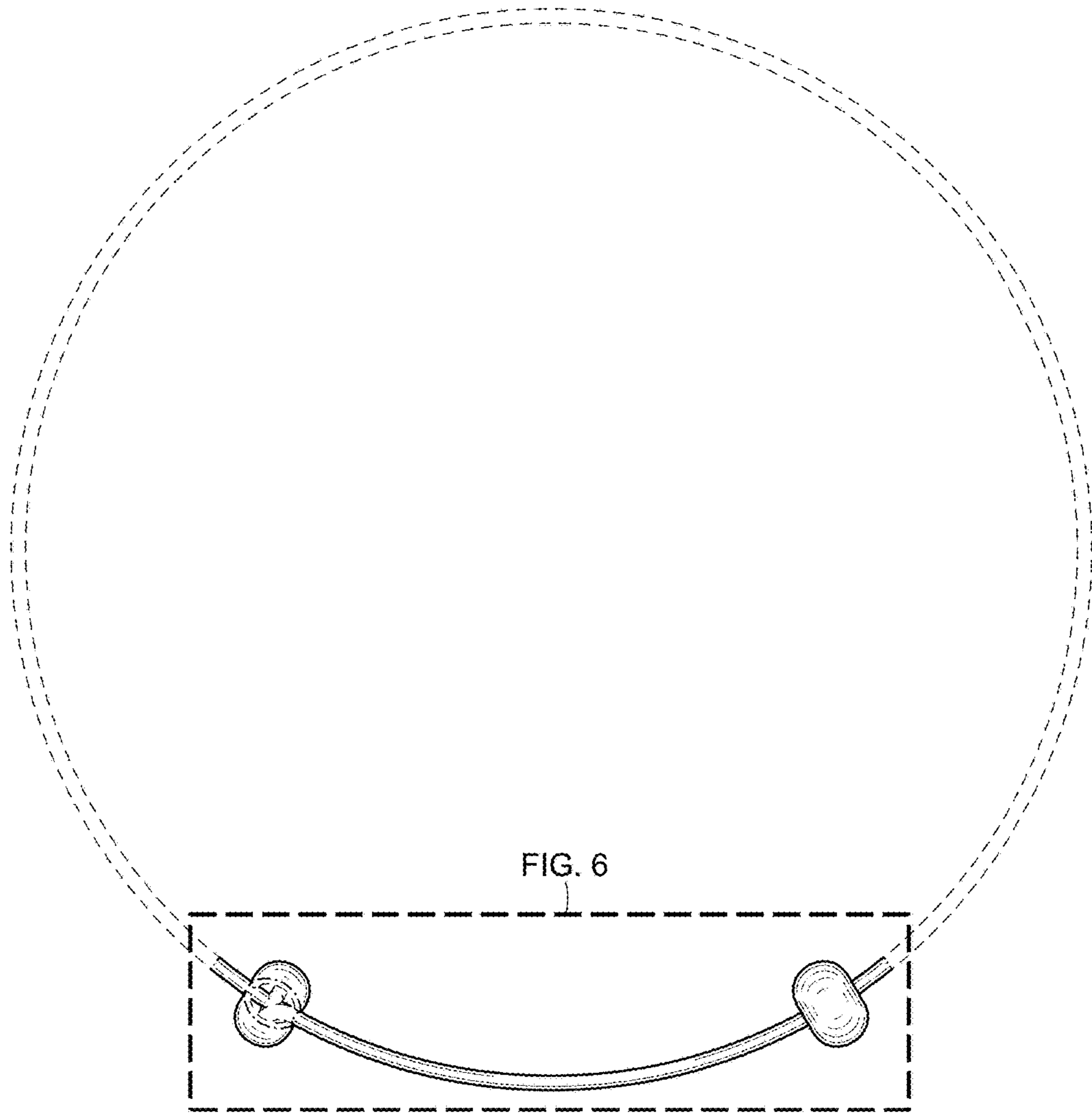


FIG. 6

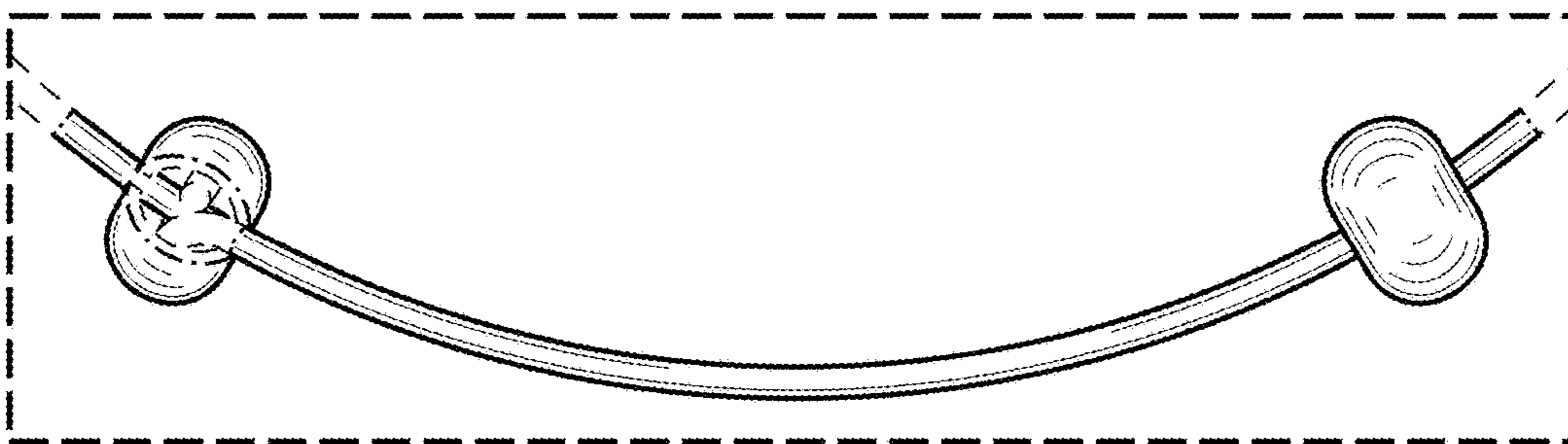


FIG. 7

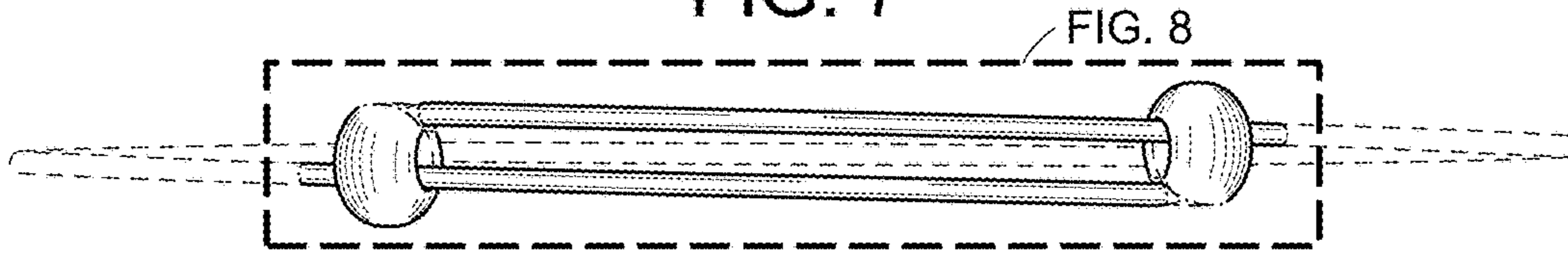


FIG. 8

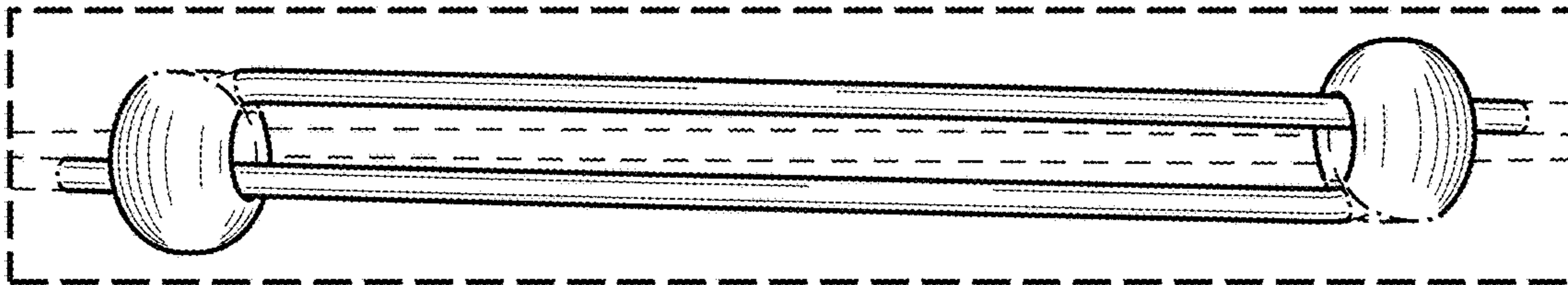


FIG. 9

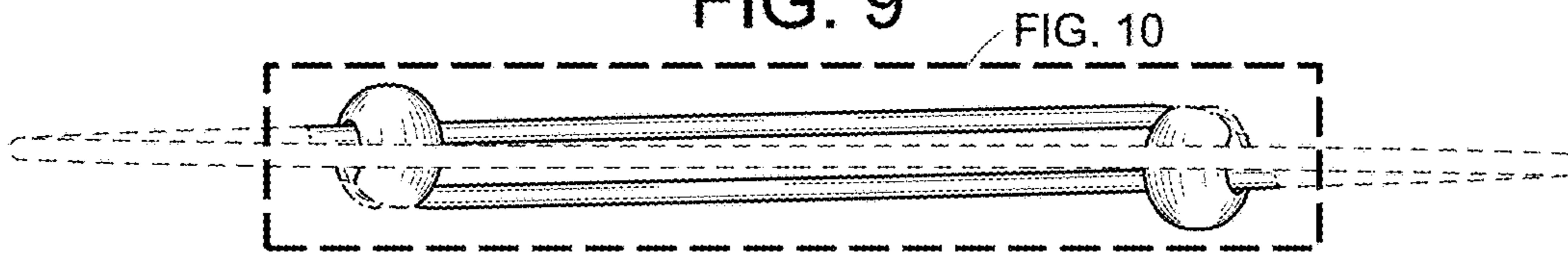
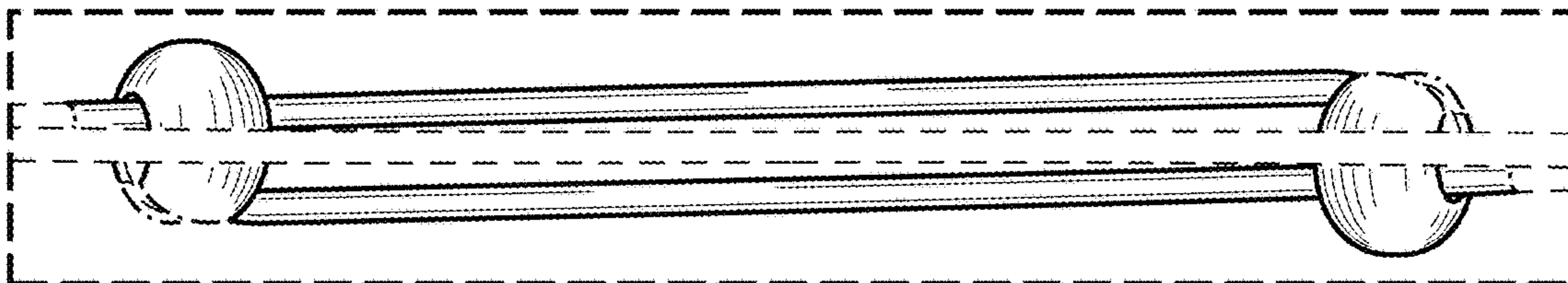


FIG. 10



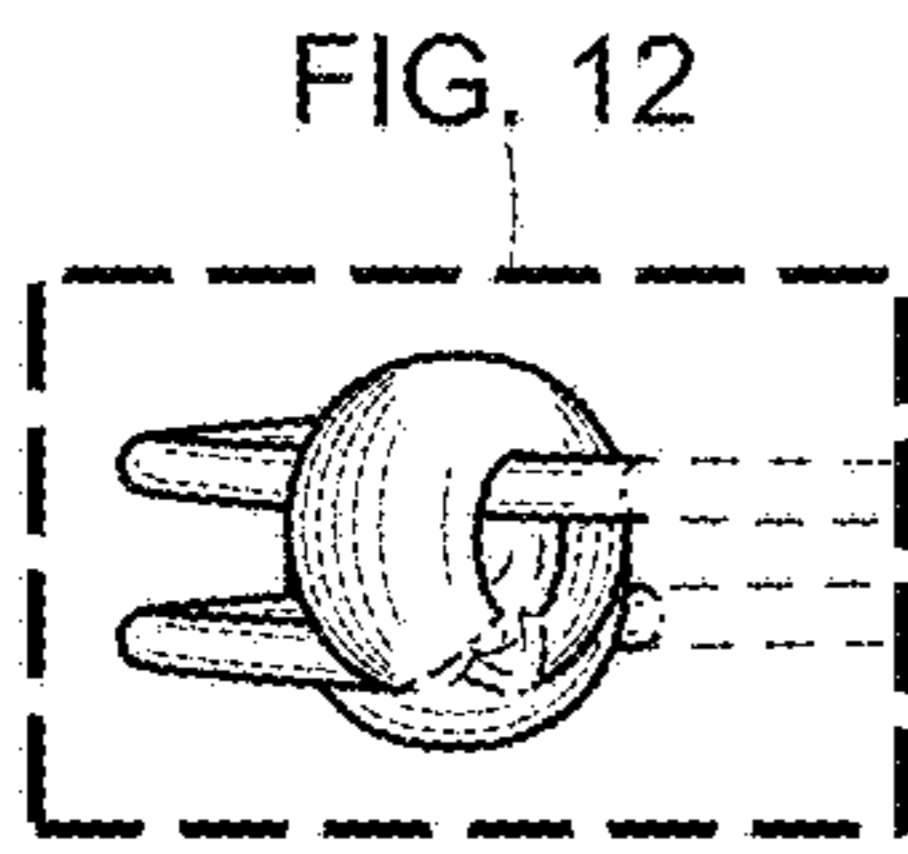


FIG. 11

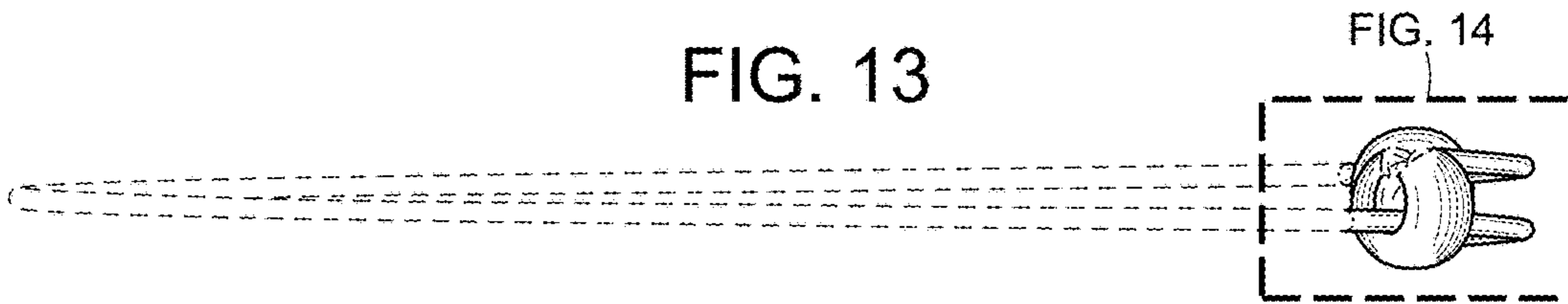
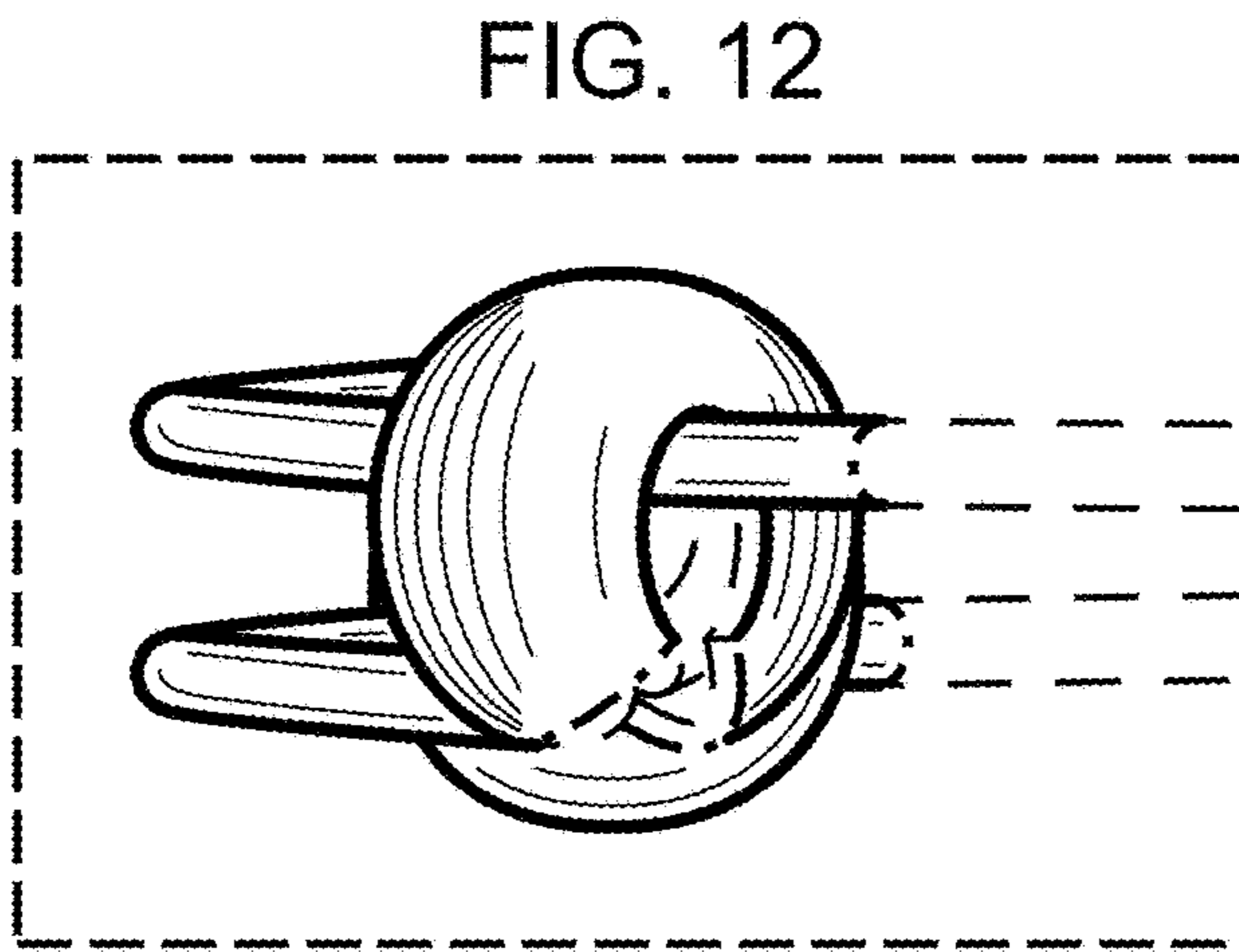


FIG. 14

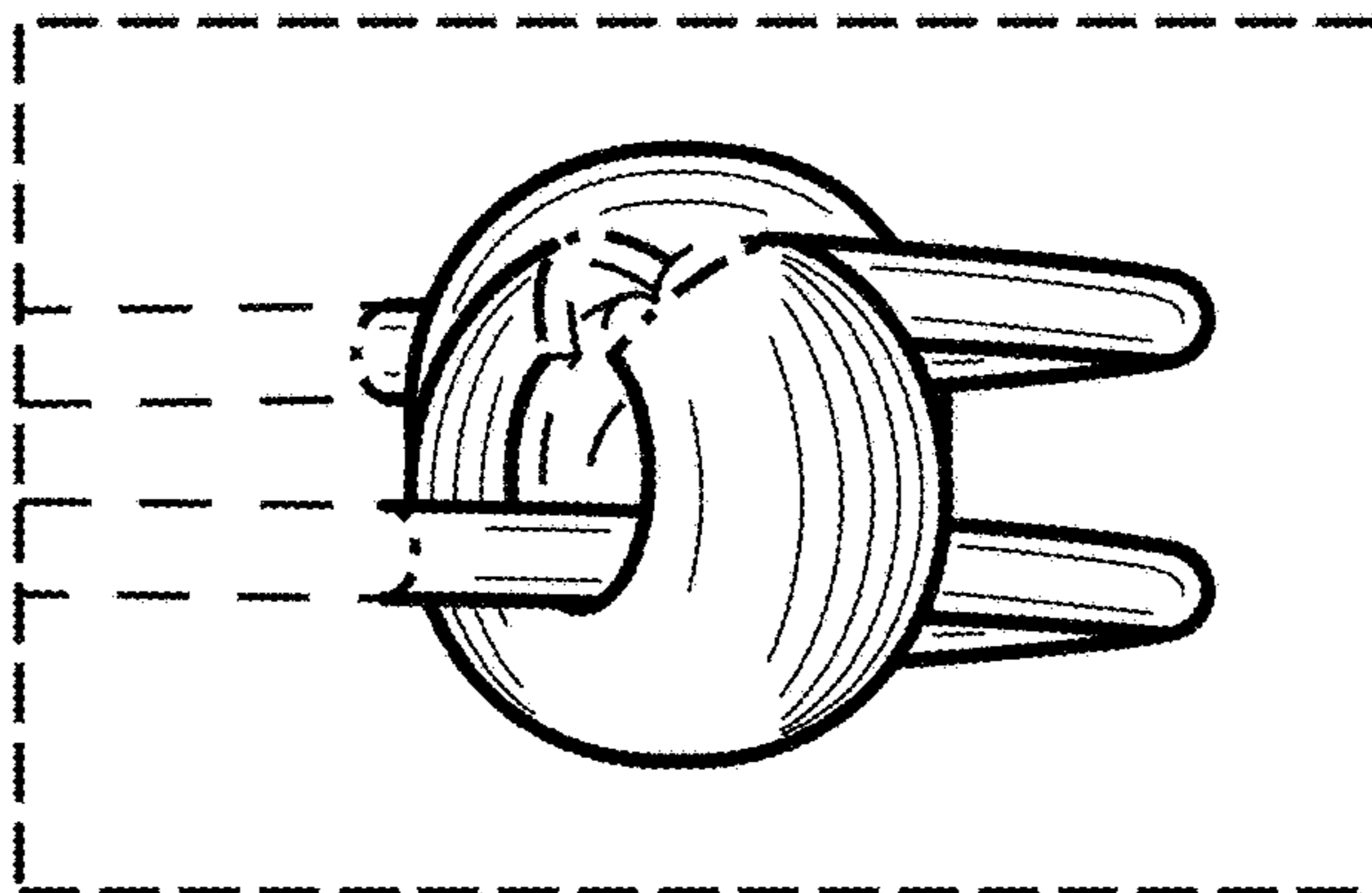


FIG. 15

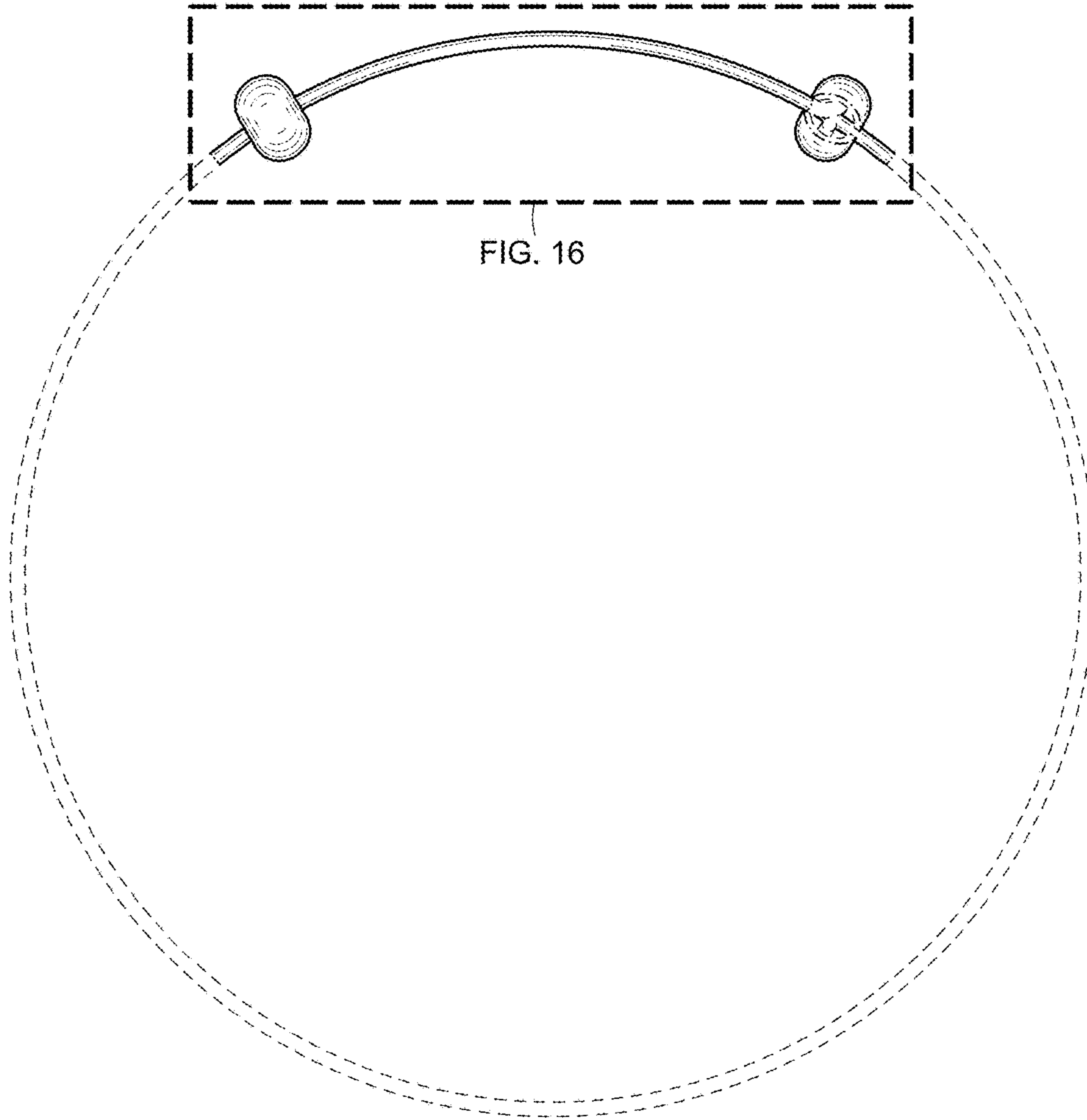


FIG. 16

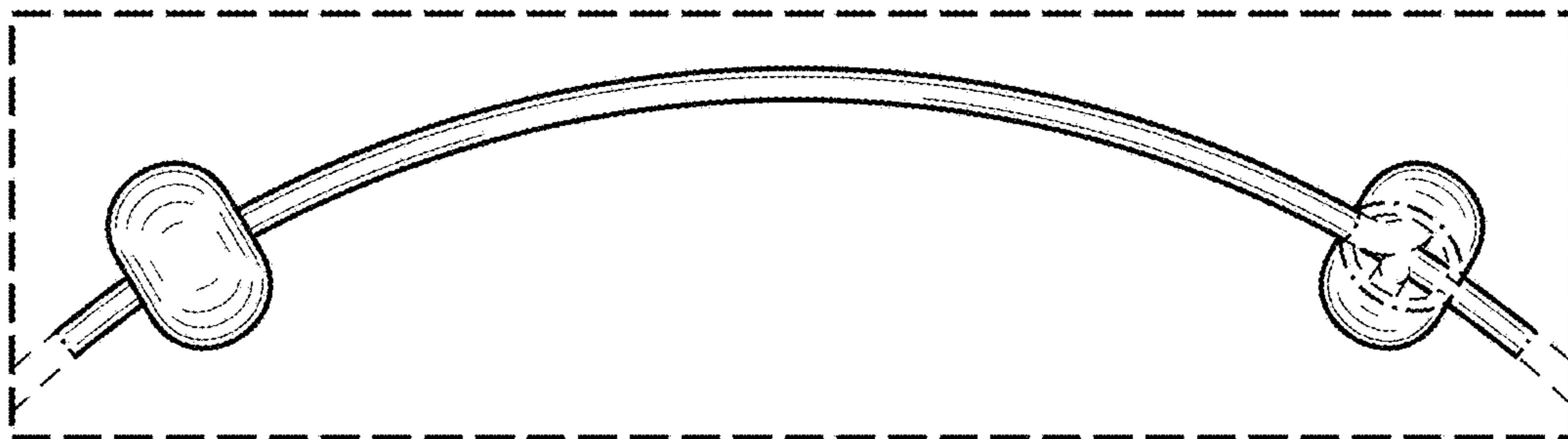


FIG. 17

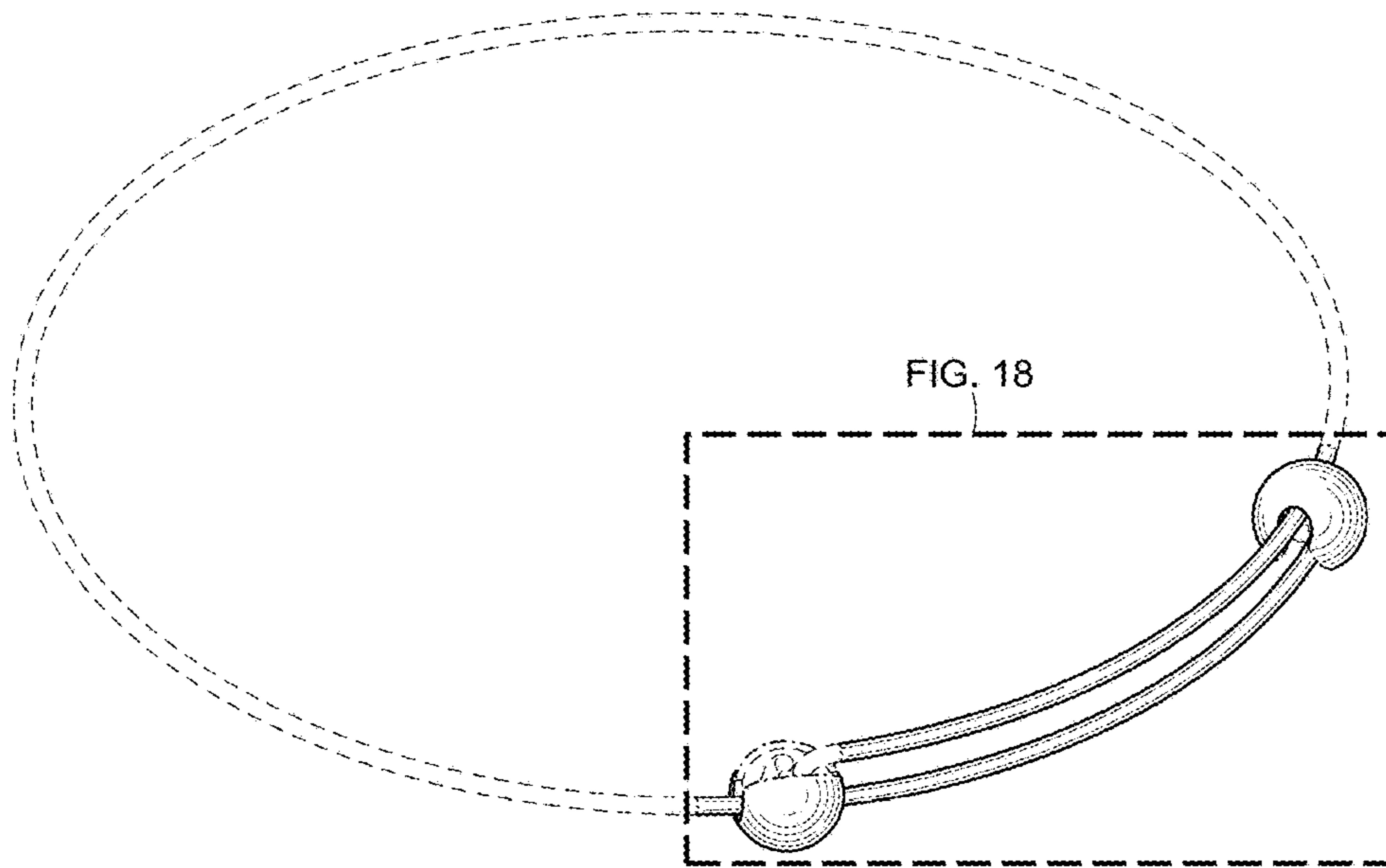


FIG. 18

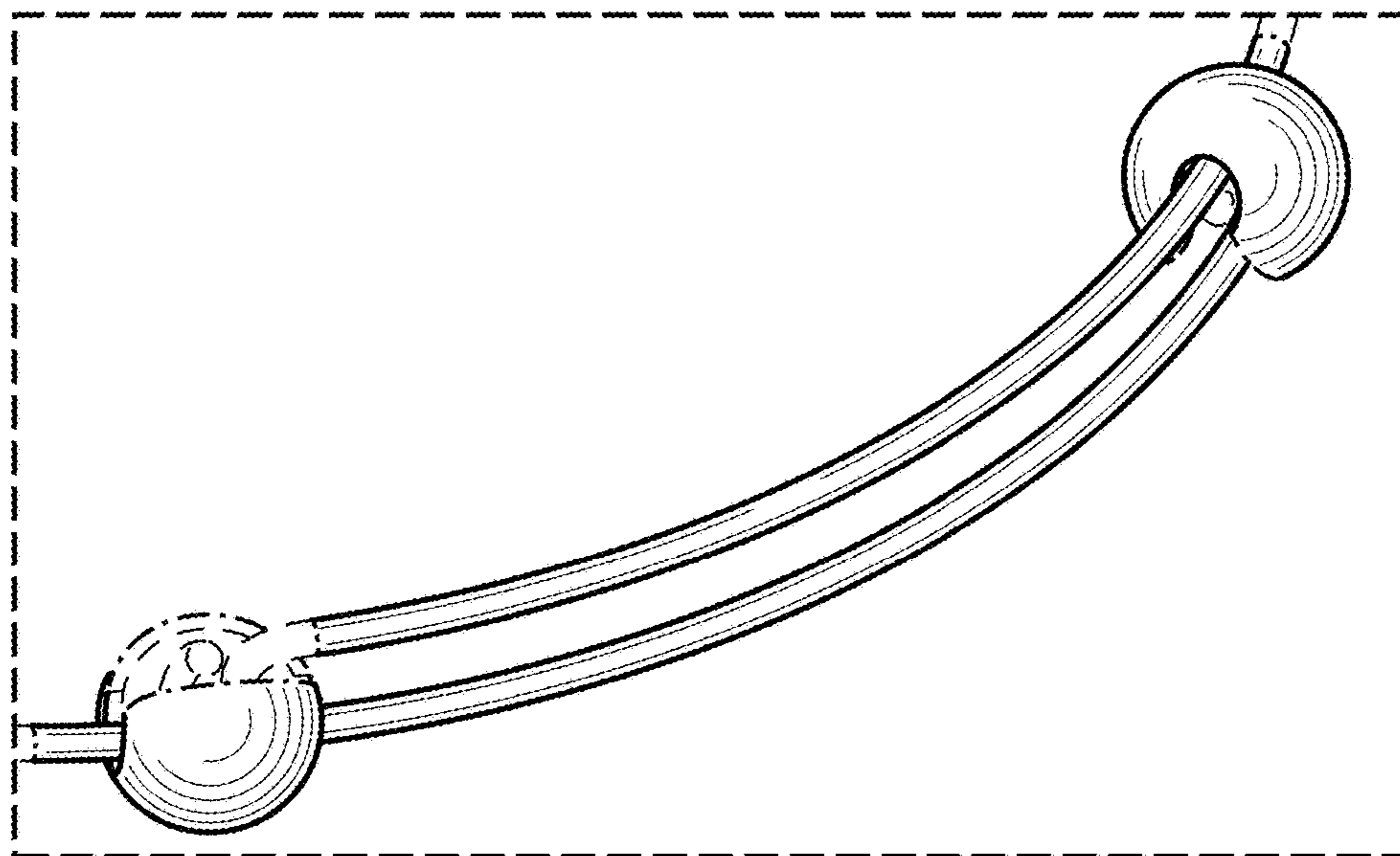


FIG. 19

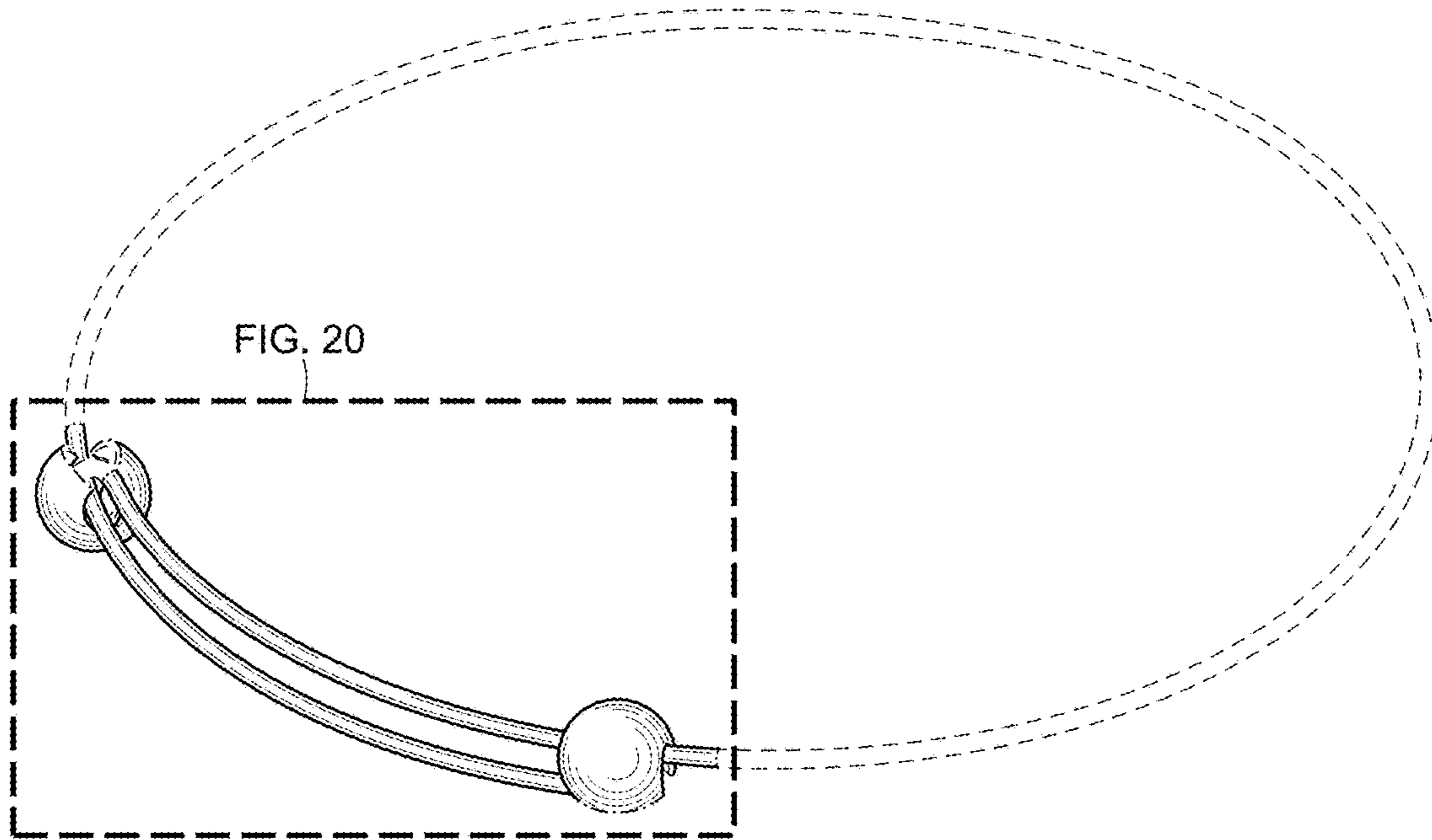


FIG. 20

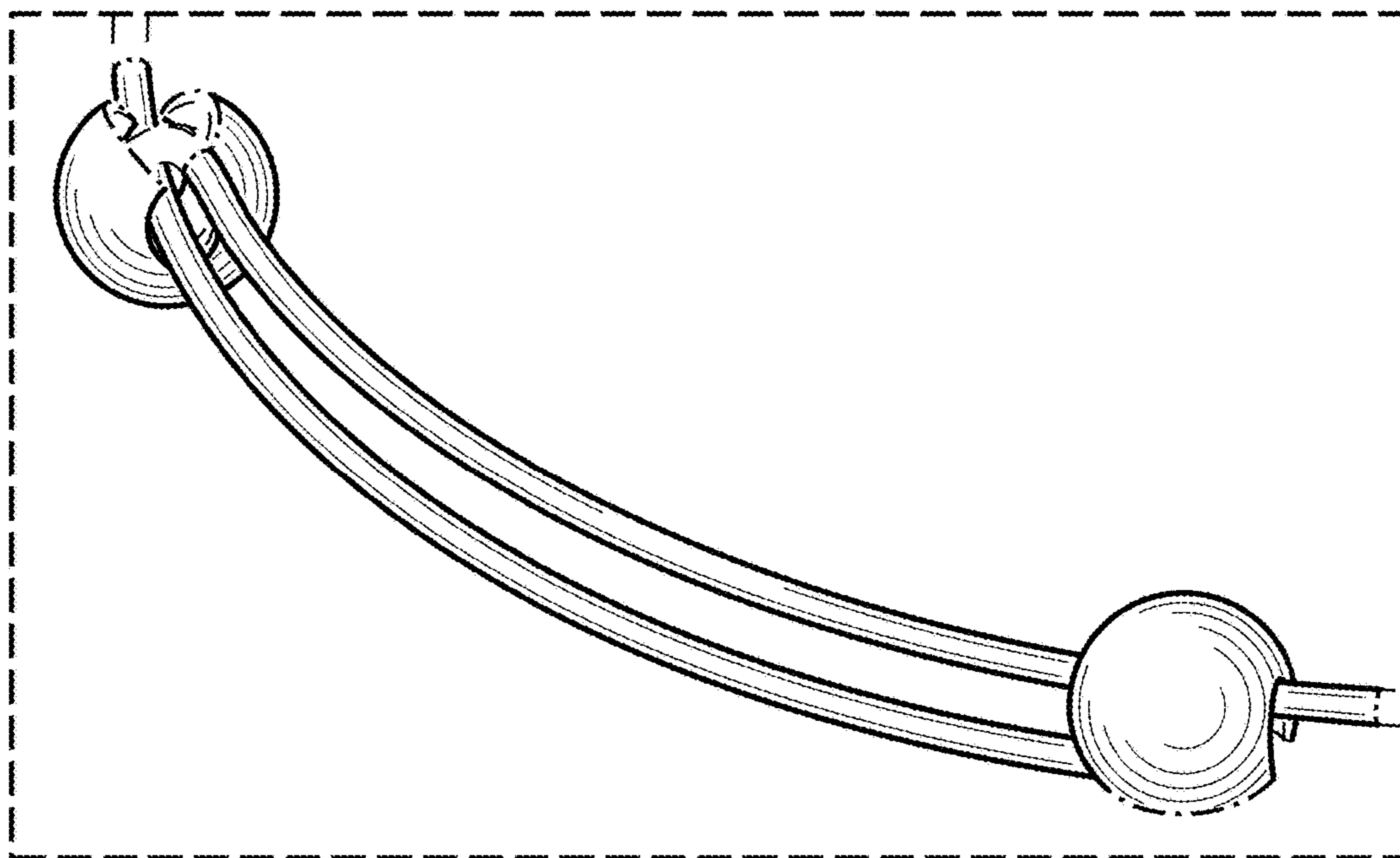


FIG. 21

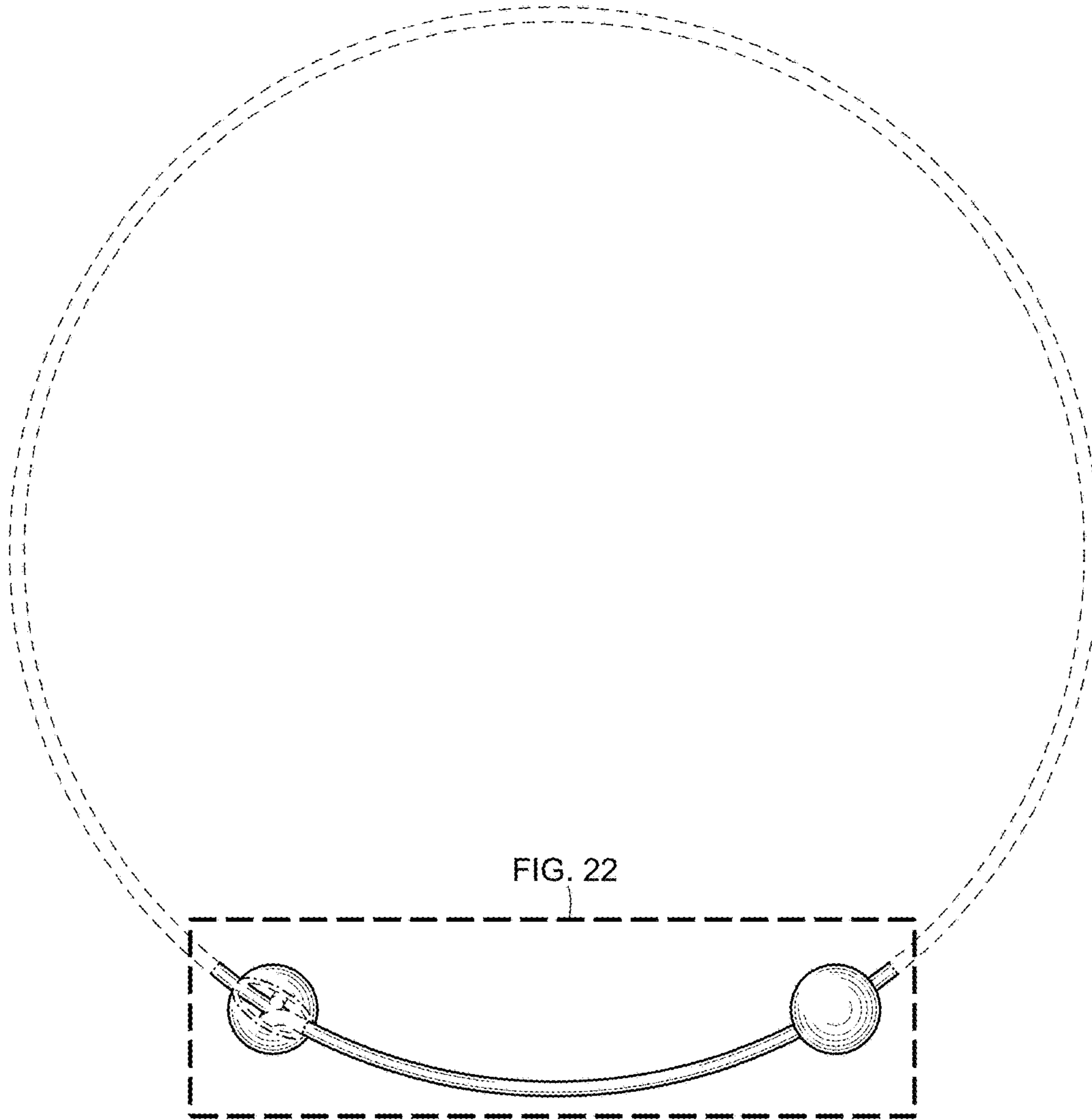


FIG. 22

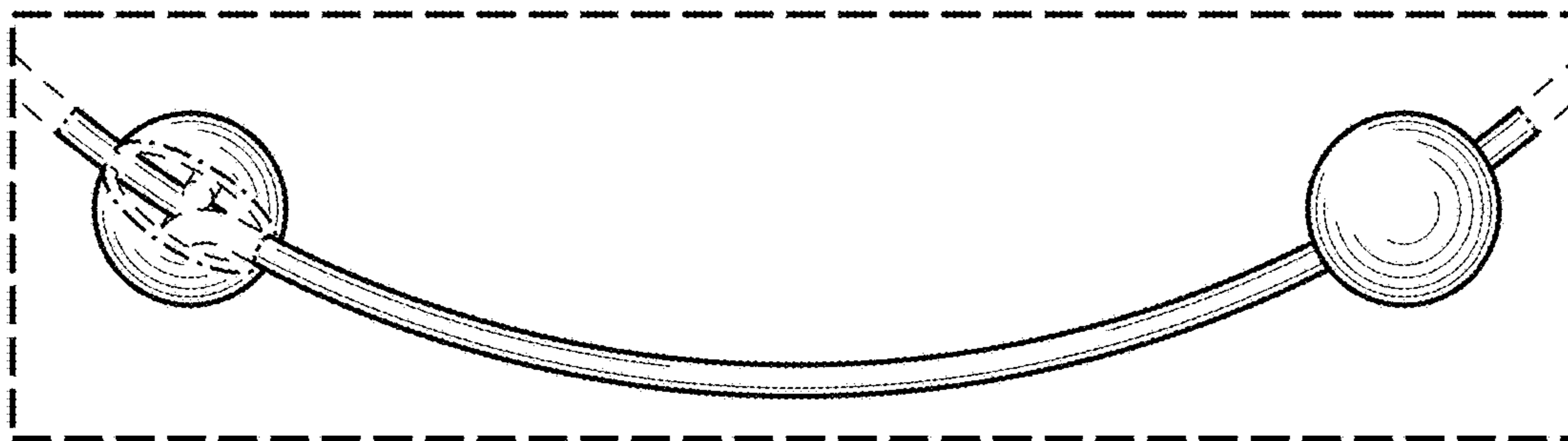


FIG. 23

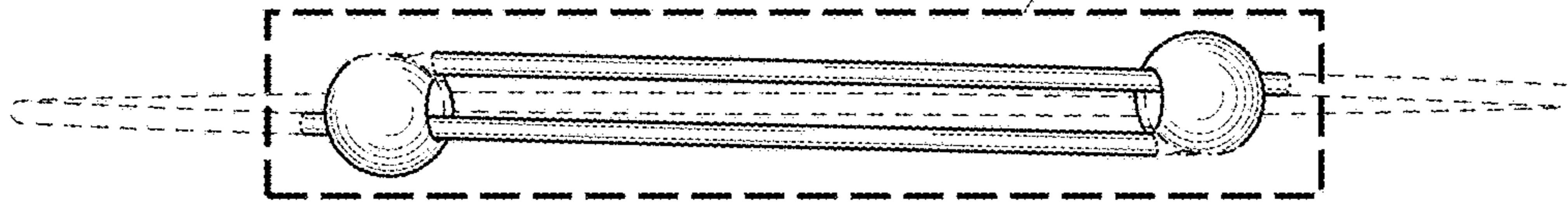


FIG. 24

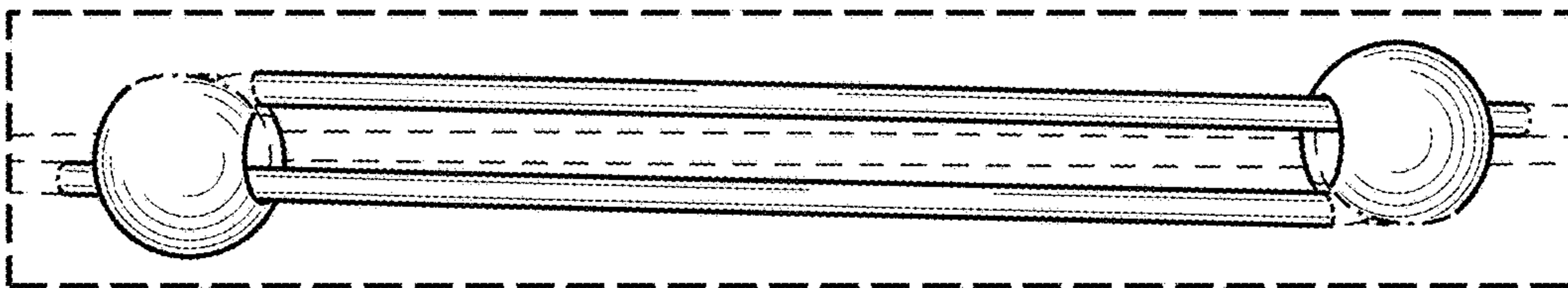


FIG. 25

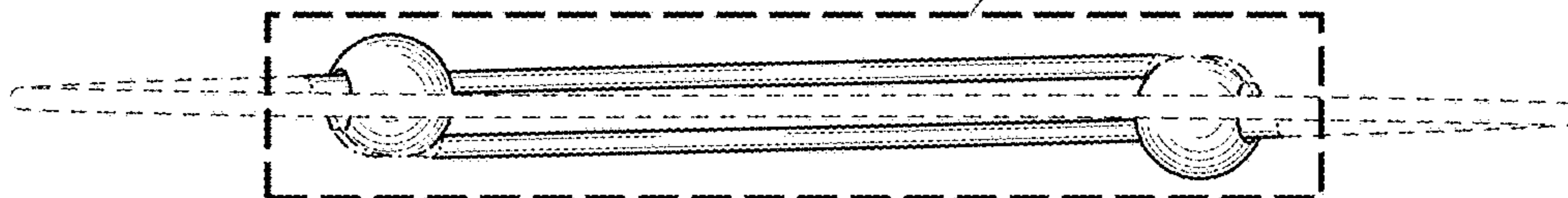
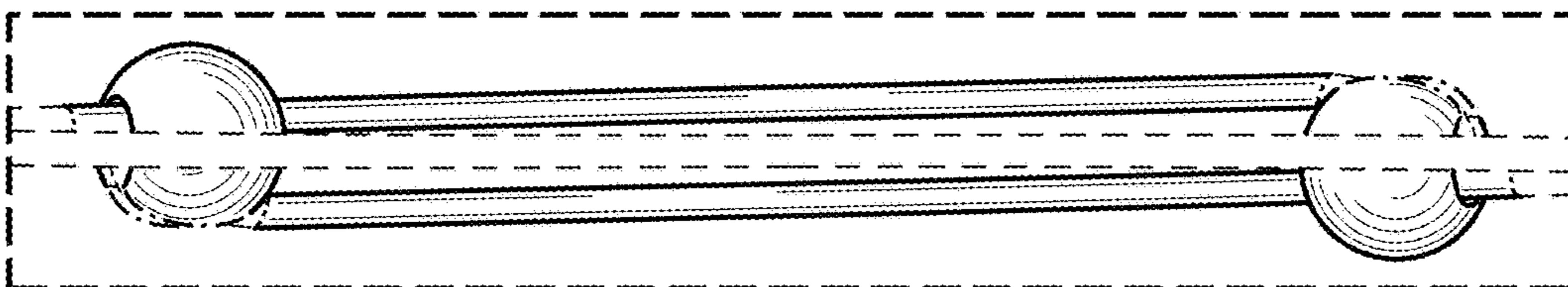


FIG. 26



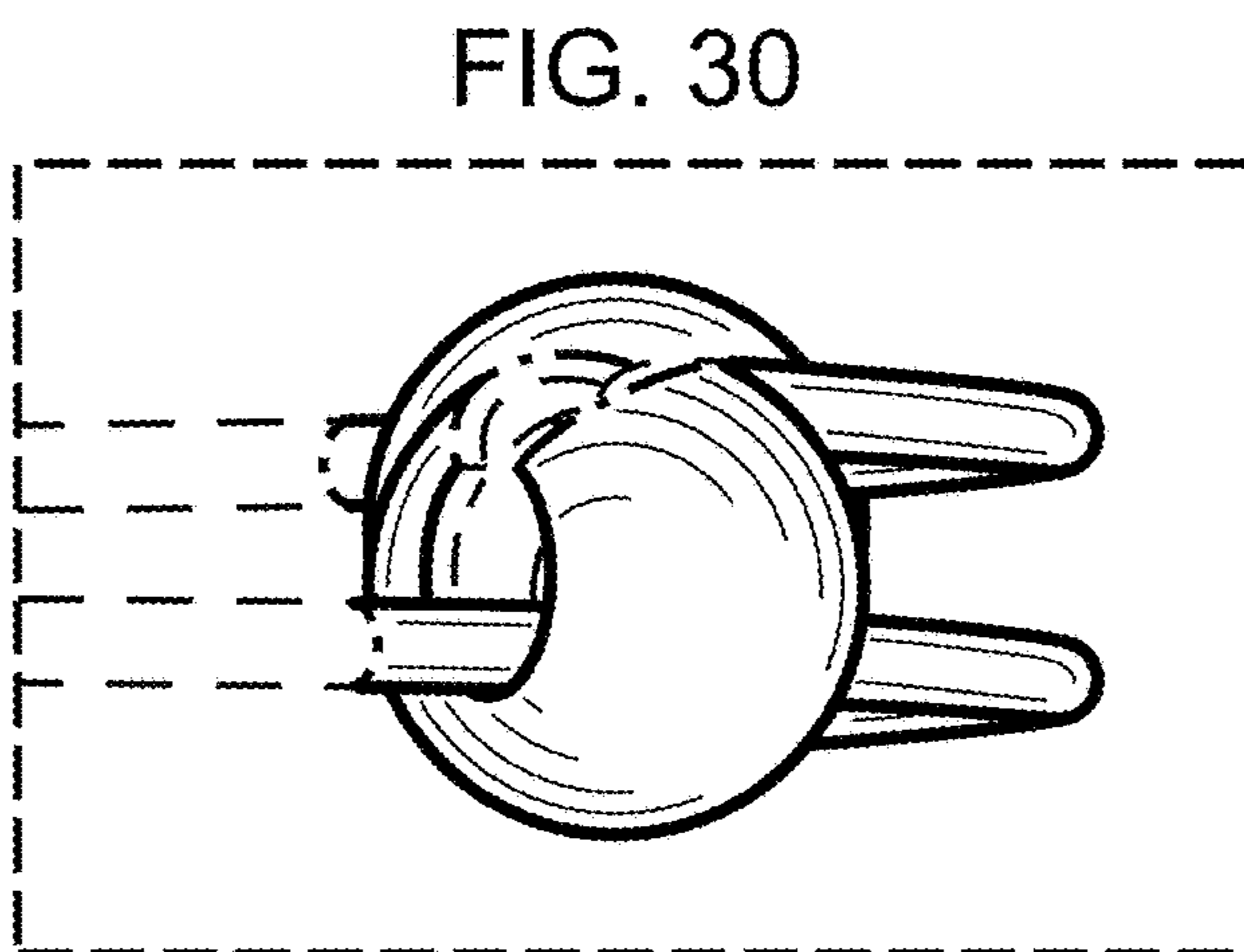
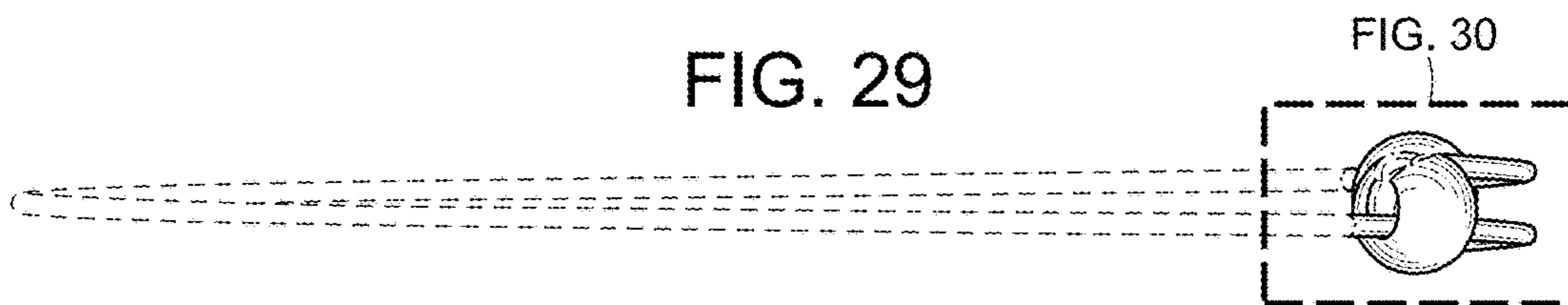
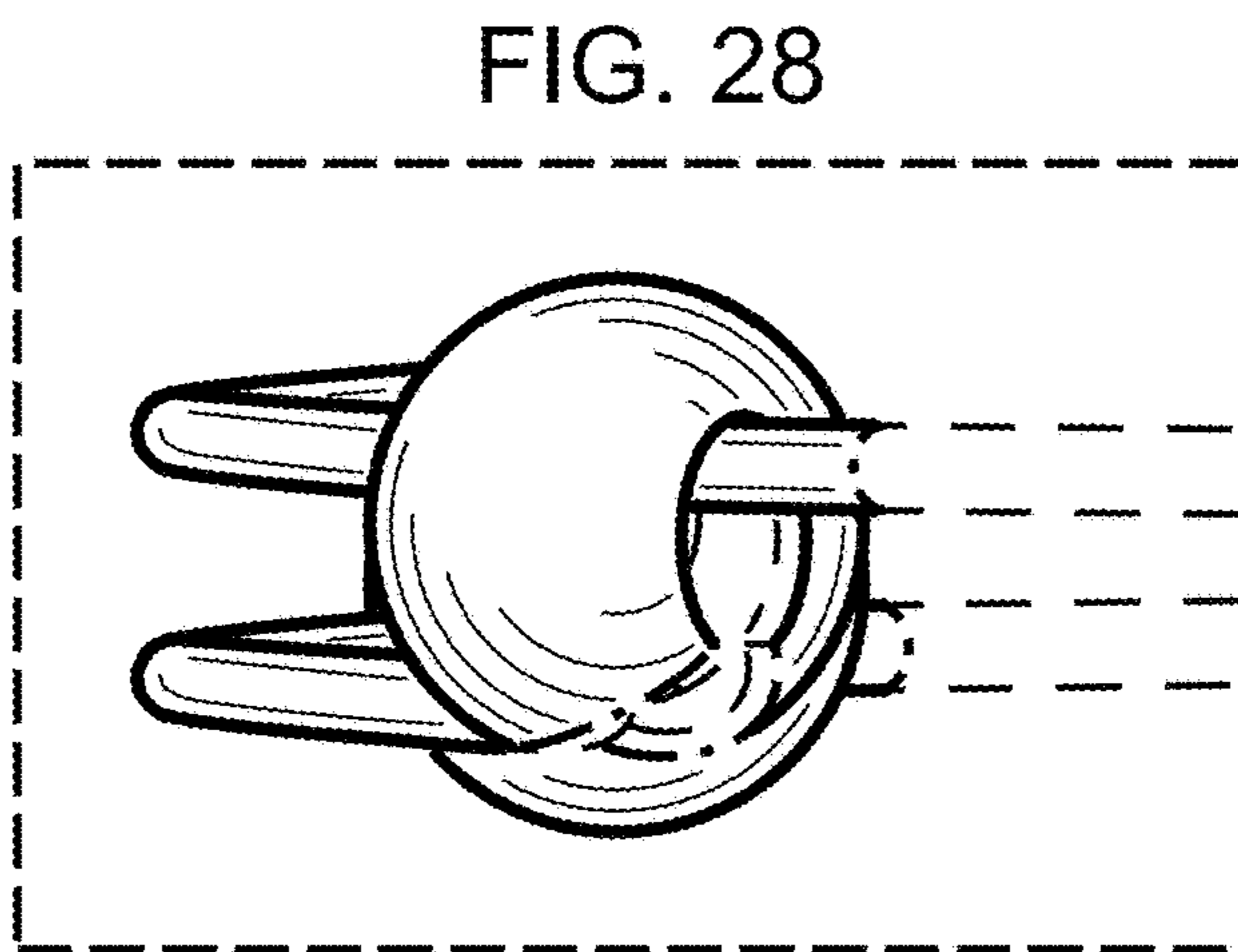
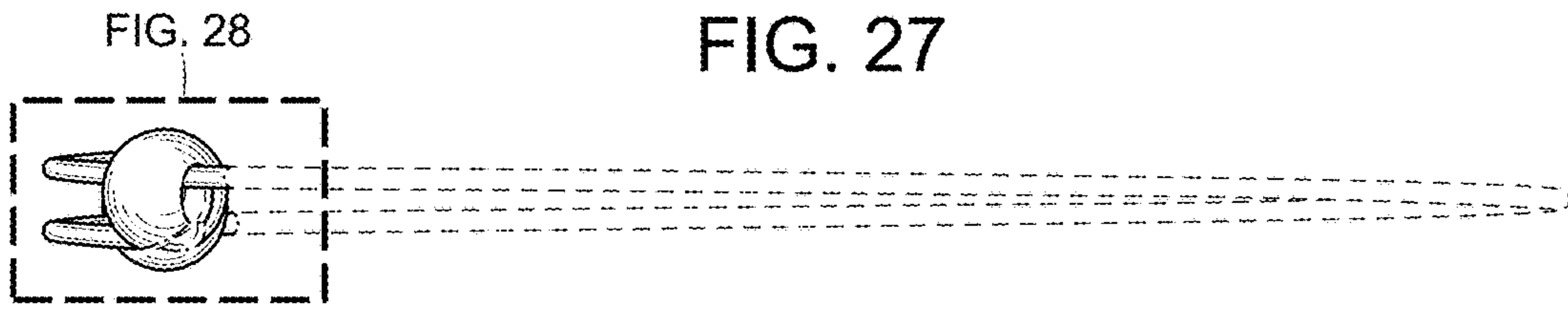


FIG. 31

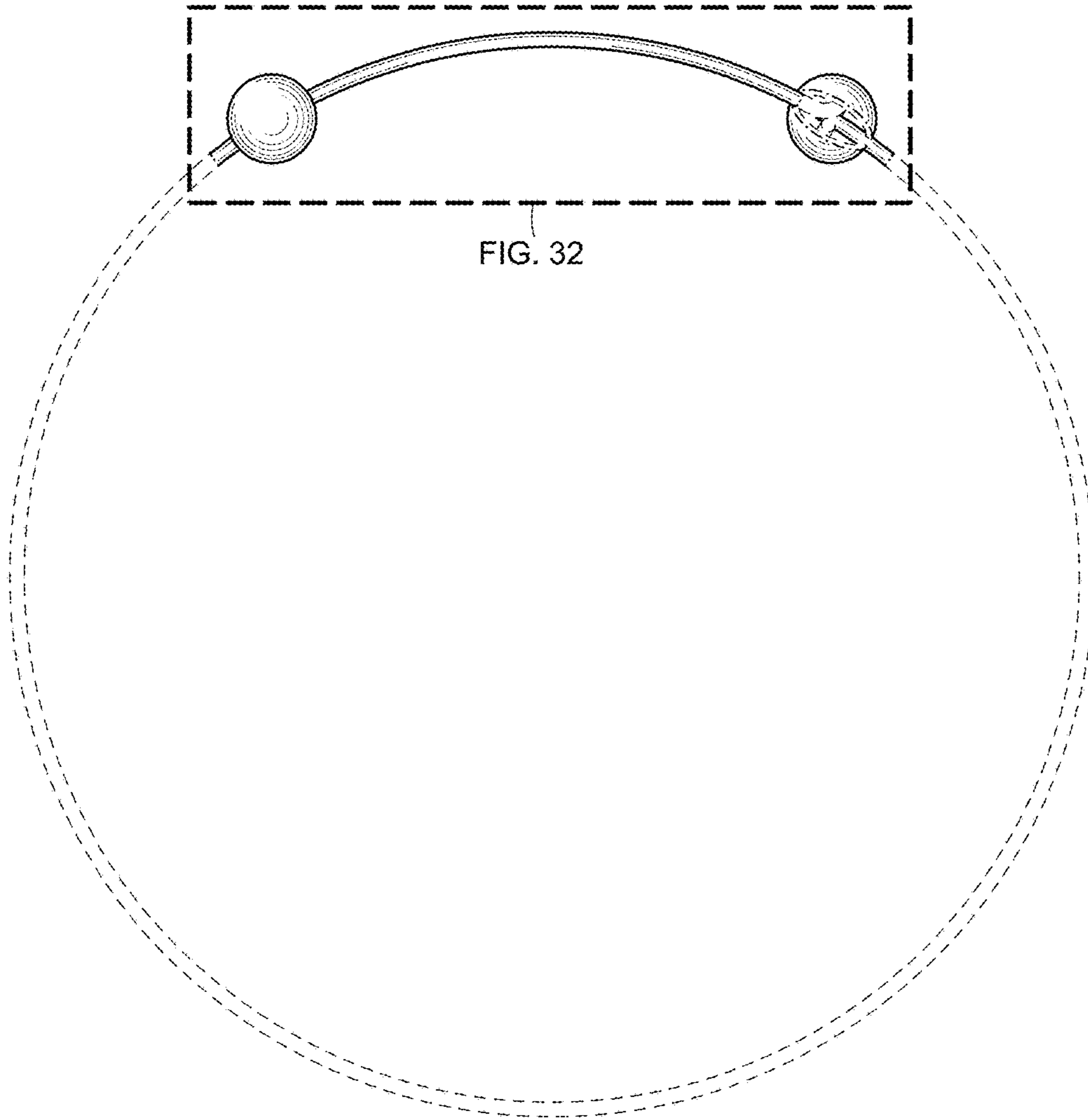


FIG. 32

