



US00D801203S

(12) **United States Design Patent** (10) **Patent No.:** **US D801,203 S**
Yu (45) **Date of Patent:** **** Oct. 31, 2017**

(54) **STROBE LED LENS**
(71) Applicant: **Ningbo Yinzhou Self Photoelectron Technology Co., Ltd.**, Ningbo, Zhejiang (CN)
(72) Inventor: **Feng Yu**, Zhejiang (CN)
(73) Assignee: **Ningbo Yinzhou Self Photoelectron Technology Co., Ltd.**, Ningbo (CN)

D707,579 S * 6/2014 Datz D10/121
D716,995 S * 11/2014 Zhu D26/122
D729,435 S * 5/2015 Arndt D26/118
D735,400 S * 7/2015 Vasylyev D26/120
D744,694 S * 12/2015 Goltche D26/120
D750,310 S * 2/2016 Cole D26/118
D776,330 S * 1/2017 Wei D26/118
D787,358 S * 5/2017 Yu D10/114.4
2015/0138822 A1* 5/2015 Tatsukawa F21S 48/1159
362/516

(**) Term: **15 Years**

* cited by examiner

Primary Examiner — George D. Kirschbaum
Assistant Examiner — Joseph J Kukella

(21) Appl. No.: **29/589,174**

(22) Filed: **Dec. 29, 2016**

(57) **CLAIM**

(51) **LOC (10) Cl.** **10-05**

The ornamental design for a strobe LED lens, as shown and described.

(52) **U.S. Cl.**
USPC **D10/121**

DESCRIPTION

(58) **Field of Classification Search**
USPC D10/104.1, 106.1–106.9, 108, 109.1, D10/109.2, 110, 111, 114.1–114.8, 121; D26/28, 35, 36, 102, 104, 118, 122
CPC F21W 2101/02; F21W 2101/10; F21W 2101/14
See application file for complete search history.

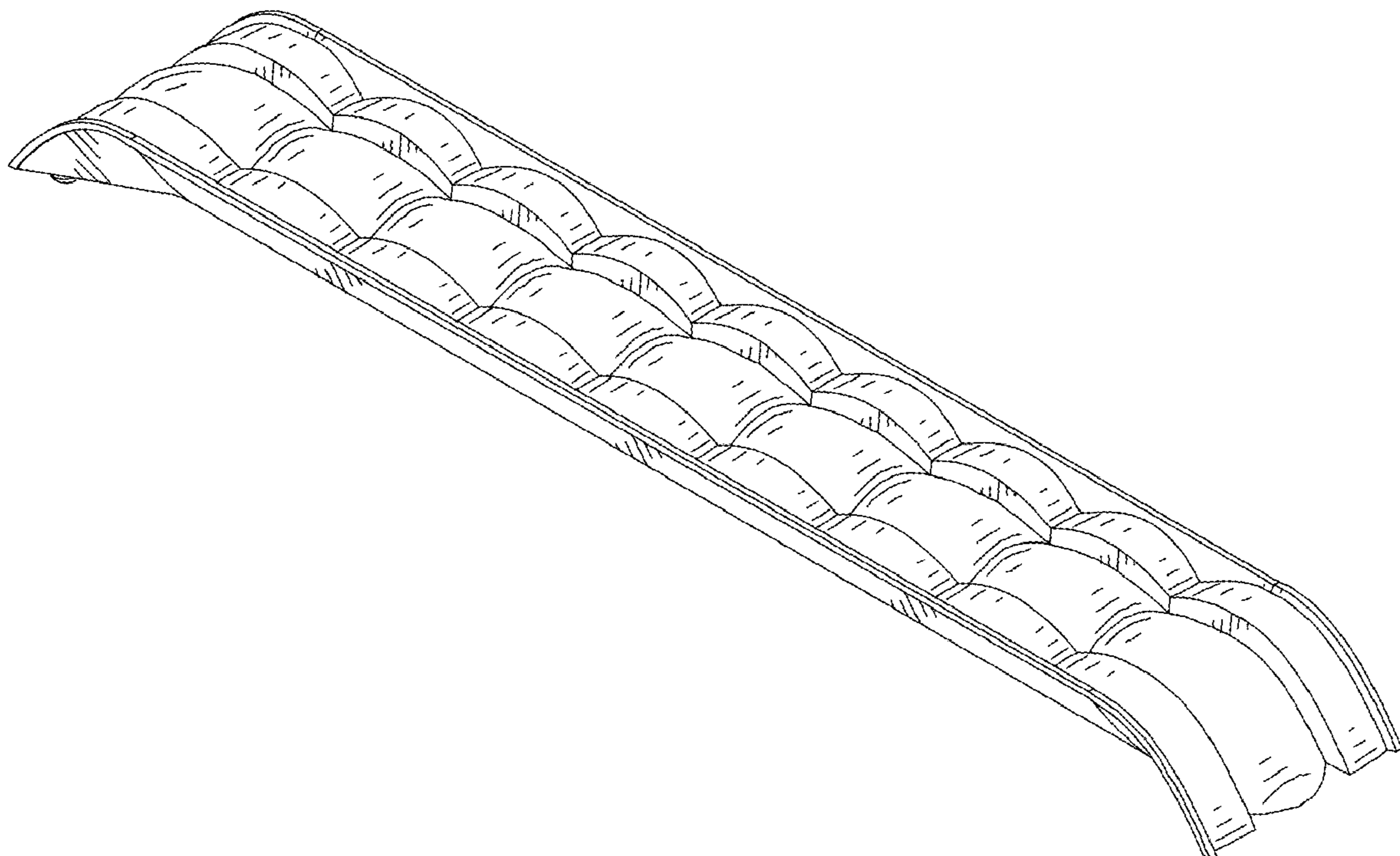
FIG. 1 is a front elevational view of a strobe LED lens showing my new design;
FIG. 2 is a rear elevational view thereof;
FIG. 3 is a left side view thereof;
FIG. 4 is a right side view thereof;
FIG. 5 is a top plan view thereof;
FIG. 6 is a bottom plan view thereof;
FIG. 7 is a first perspective view thereof;
FIG. 8 is a second perspective view thereof; and,
FIG. 9 is a third perspective view thereof.

(56) **References Cited**

U.S. PATENT DOCUMENTS

D590,986 S * 4/2009 Ranger D26/122
D667,746 S * 9/2012 Yu D10/114.4

1 Claim, 9 Drawing Sheets



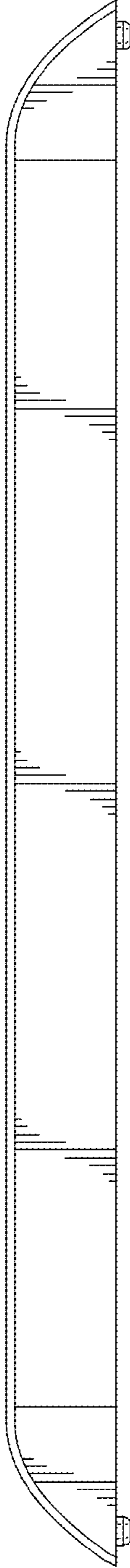


Fig. 1

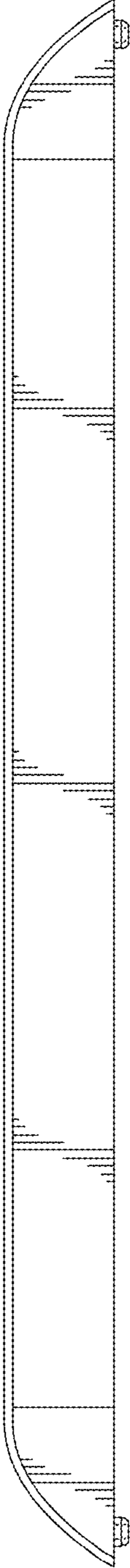


Fig. 2

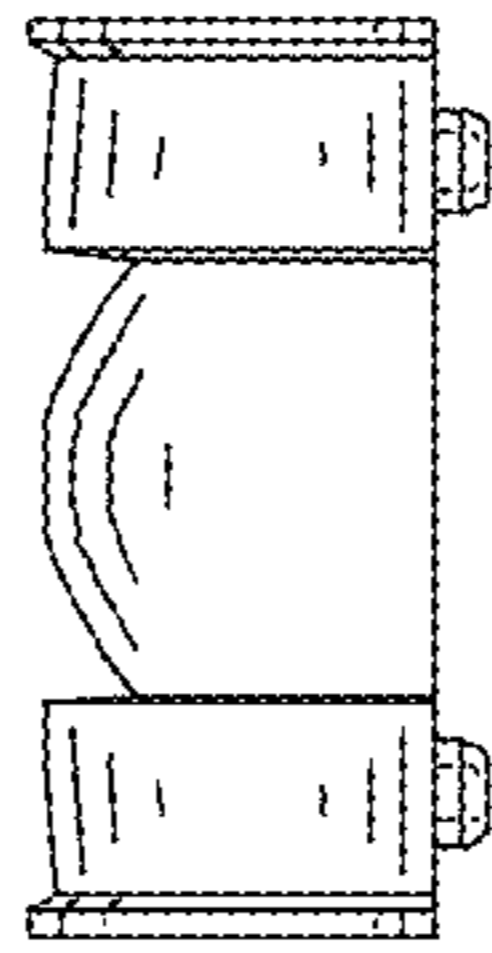


Fig. 3

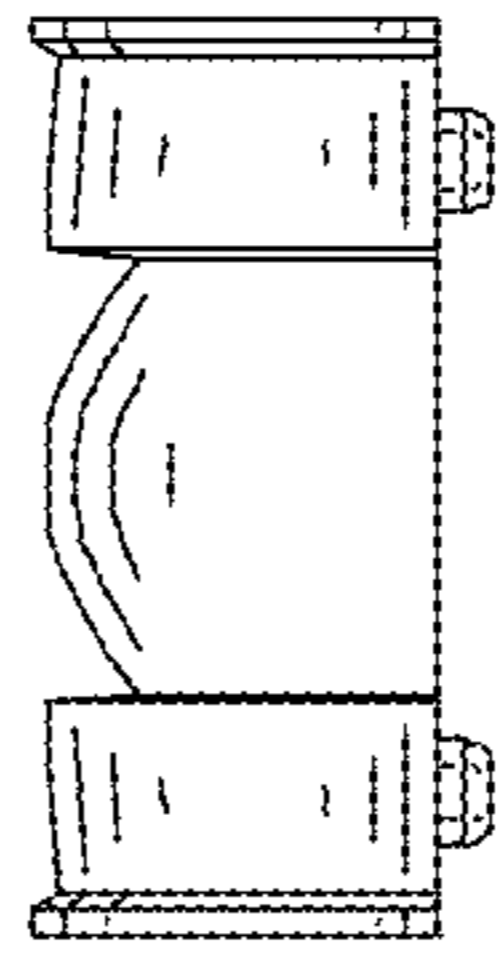


Fig. 4

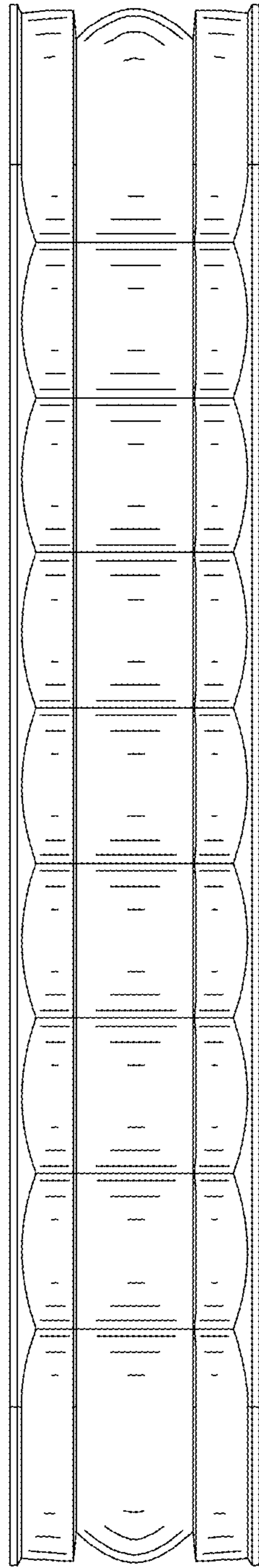


Fig. 5

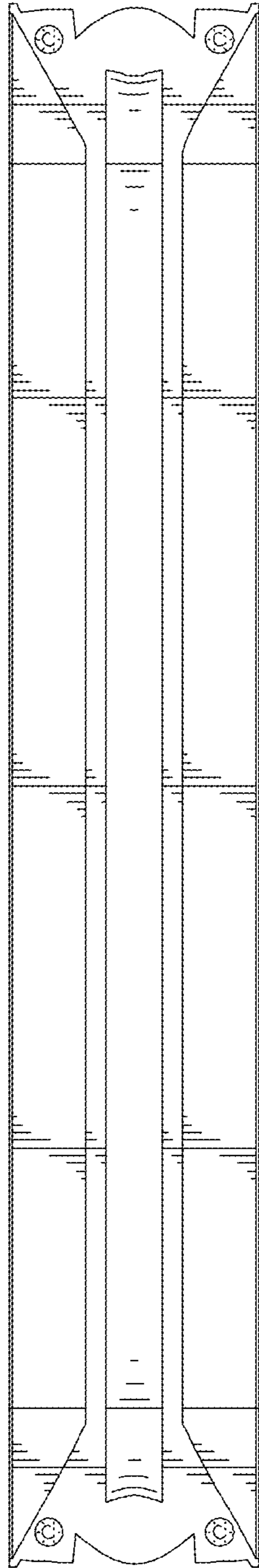


Fig. 6

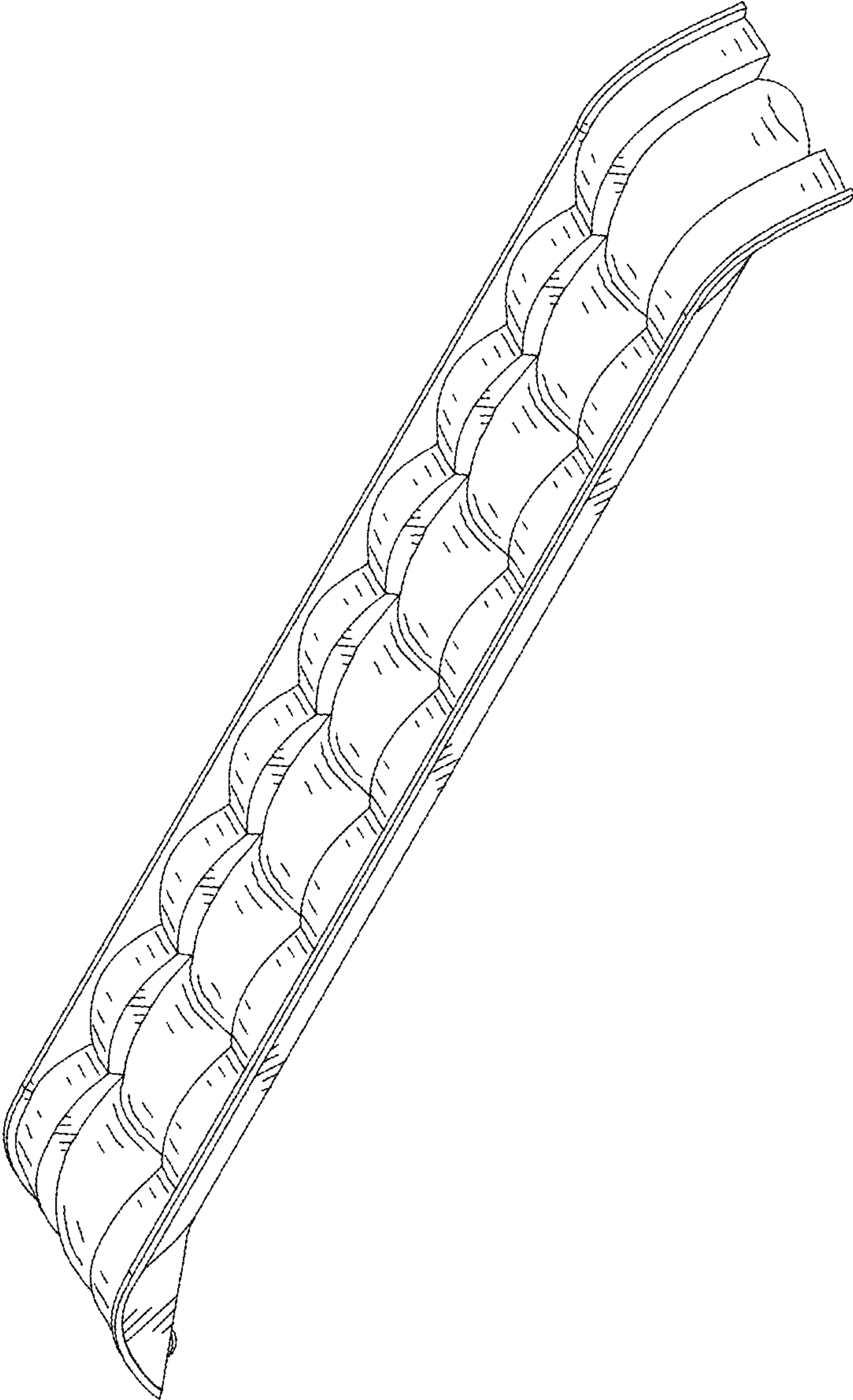


Fig. 7

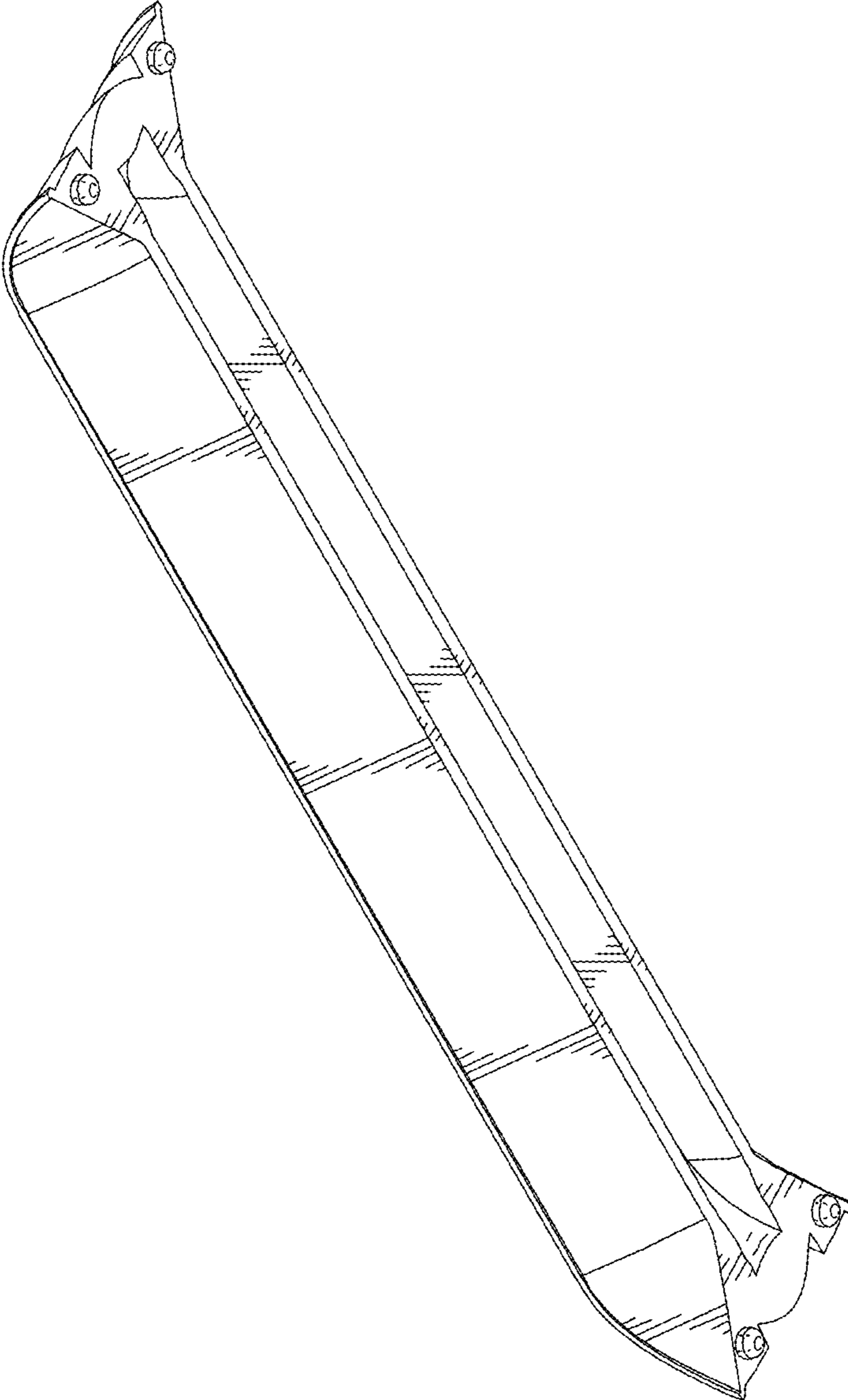


Fig. 8

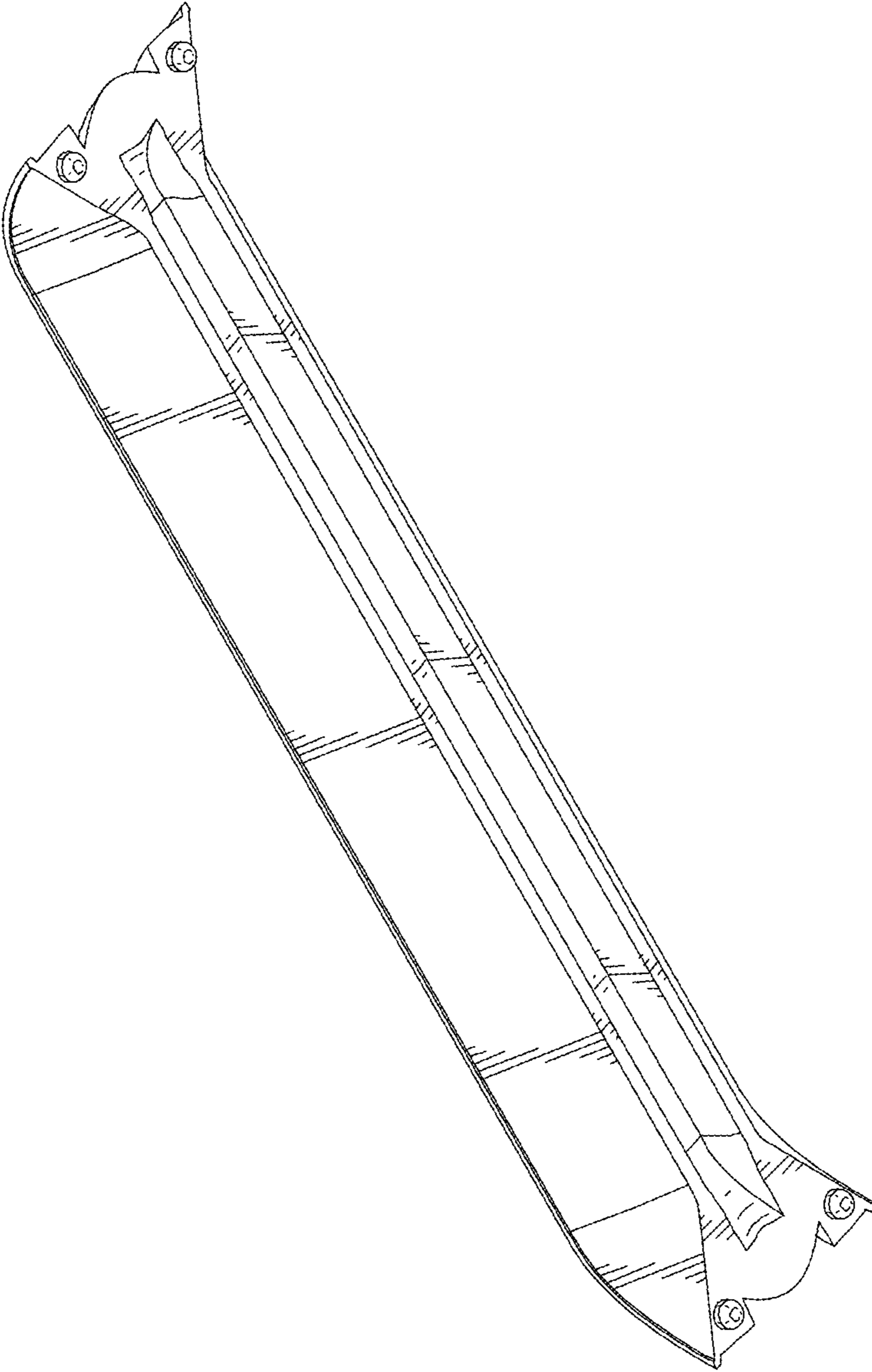


Fig. 9