



US00D801195S

(12) **United States Design Patent**
Monachon

(10) **Patent No.:** **US D801,195 S**

(45) **Date of Patent:** **** Oct. 31, 2017**

(54) **WATCHCASE**

(71) Applicant: **OMEGA LTD.**, Biel/Bienne (CH)

(72) Inventor: **Jean-Claude Monachon**, Bevaix (CH)

(73) Assignee: **OMEGA LTD.**, Biel/Bienne (CH)

(**) Term: **15 Years**

(21) Appl. No.: **29/576,215**

(22) Filed: **Sep. 1, 2016**

(30) **Foreign Application Priority Data**

Mar. 1, 2016 (WO) DM/089 634

(51) **LOC (10) Cl.** **10-02**

(52) **U.S. Cl.**
USPC **D10/30**

(58) **Field of Classification Search**
USPC D10/1-39, 65, 70, 122-132
CPC G04B 17/00; G04B 17/02; G04B 17/005;
G04B 17/285; G04B 37/00; G04B 37/00;
G04B 37/0058; G04B 45/00; G04B
45/02; G04B 45/038; G04B 45/0069;
G04B 45/0076; G04B 29/00; G04B
19/268

See application file for complete search history.

(56) **References Cited**

U.S. PATENT DOCUMENTS

D377,907 S *	2/1997	Burgener	D10/30
D380,969 S *	7/1997	Houlihan	D10/30
D577,297 S *	9/2008	Lalo	D10/32
D584,171 S *	1/2009	Monachon	D10/32
D588,475 S *	3/2009	Calvani	D10/39
D590,274 S *	4/2009	Monachon	D10/128
D601,909 S *	10/2009	Behling	D10/38
D609,120 S *	2/2010	Lalo	D10/39
D618,565 S *	6/2010	Dolce	D10/38

D656,417 S *	3/2012	Monachon	D10/39
D672,664 S *	12/2012	Monachon	D10/32
D702,136 S *	4/2014	Monachon	D10/39
D706,144 S *	6/2014	Monachon	D10/39
D707,572 S *	6/2014	Calvani	D10/39
D708,074 S *	7/2014	Tonohori	D10/39
D708,965 S *	7/2014	Monachon	D10/39
D709,389 S *	7/2014	Monachon	D10/39
D711,750 S *	8/2014	Monachon	D10/39
D714,661 S *	10/2014	Calvani	D10/39
D718,154 S *	11/2014	Gueit	D10/38
D730,201 S *	5/2015	Giannini	D10/39
D731,327 S *	6/2015	Schoepfer	D10/39
D732,986 S *	6/2015	Monachon	D10/31
D733,582 S *	7/2015	Gueit	D10/38
D735,060 S *	7/2015	Monachon	D10/32
D758,886 S *	6/2016	Kimura	D10/128
D760,096 S *	6/2016	Lutgen	D10/126
D761,129 S *	7/2016	Calvani	D10/126
D774,926 S *	12/2016	Butler	D10/38
D782,338 S *	3/2017	White	D10/39

* cited by examiner

Primary Examiner — Holly H Baynham

Assistant Examiner — Calvin E Vansant

(74) *Attorney, Agent, or Firm* — Donald J. Ranft; Collen

(57) **CLAIM**

The ornamental design for a watchcase, as shown.

DESCRIPTION

FIG. 1 is a front right perspective view of a watchcase showing my new design;

FIG. 2 is a rear left perspective view thereof;

FIG. 3 is a front view thereof;

FIG. 4 is a rear view thereof;

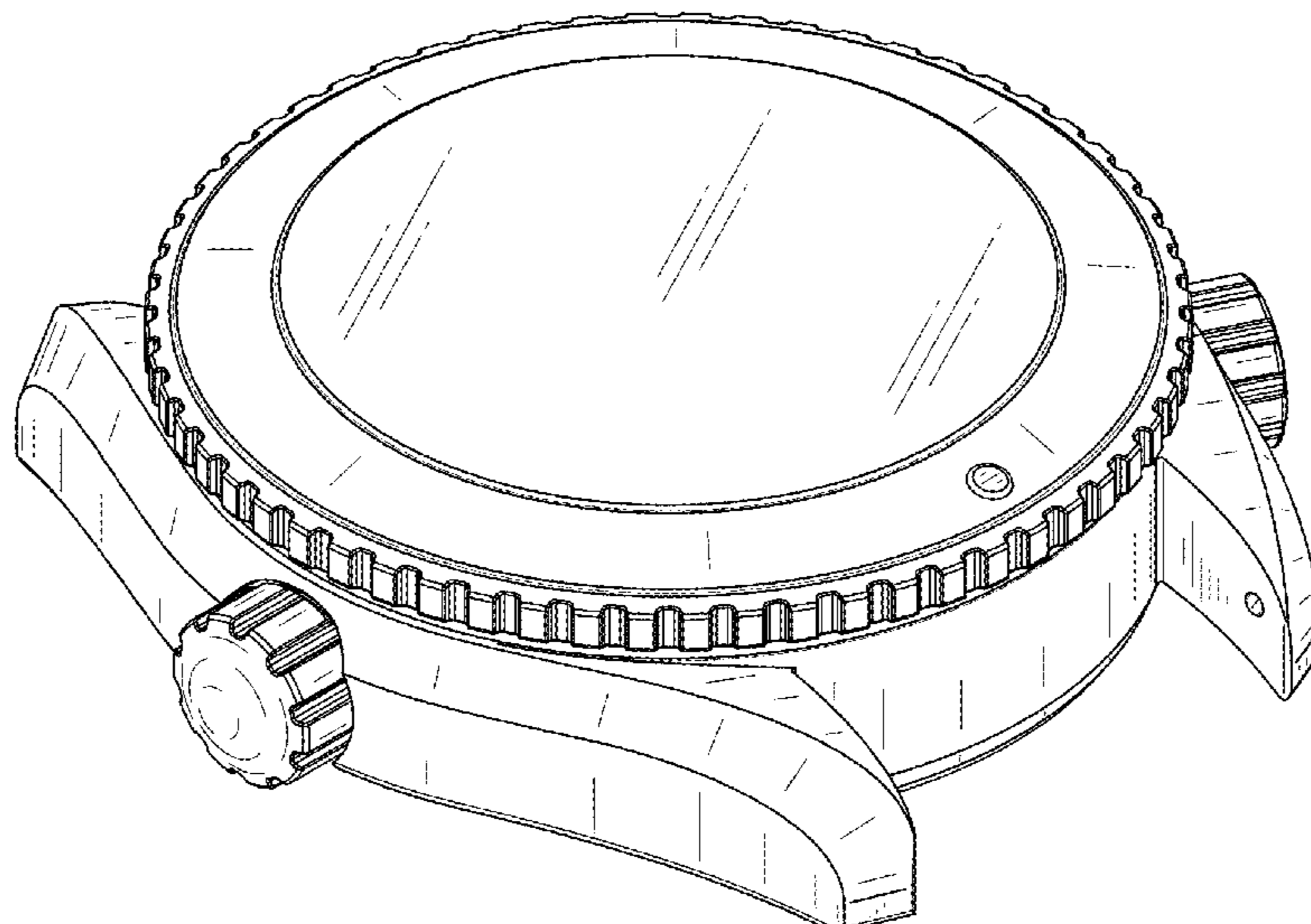
FIG. 5 is a left side view thereof;

FIG. 6 is a right side view thereof;

FIG. 7 is a bottom view thereof; and,

FIG. 8 is a top view thereof.

1 Claim, 6 Drawing Sheets



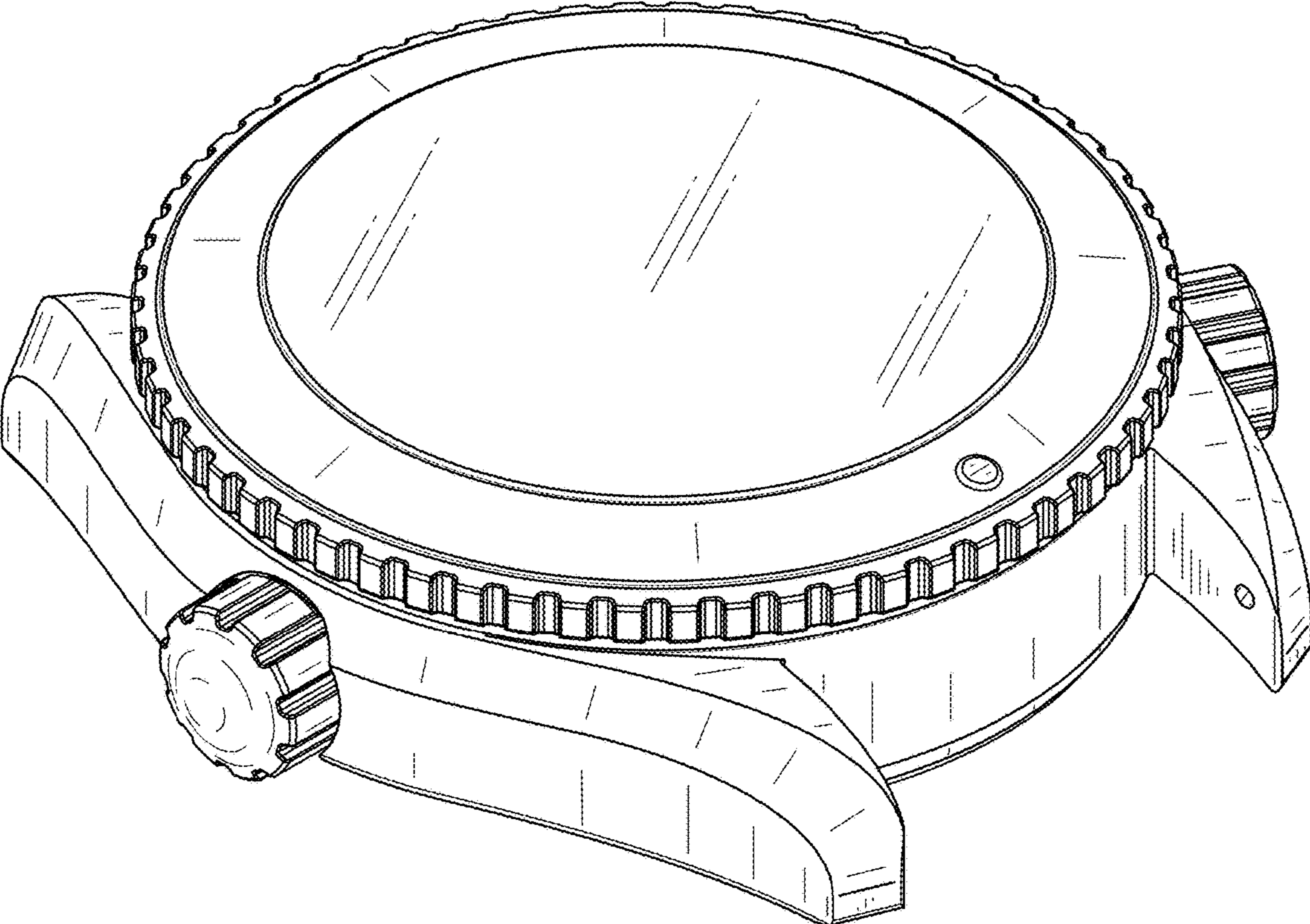


FIG. 1

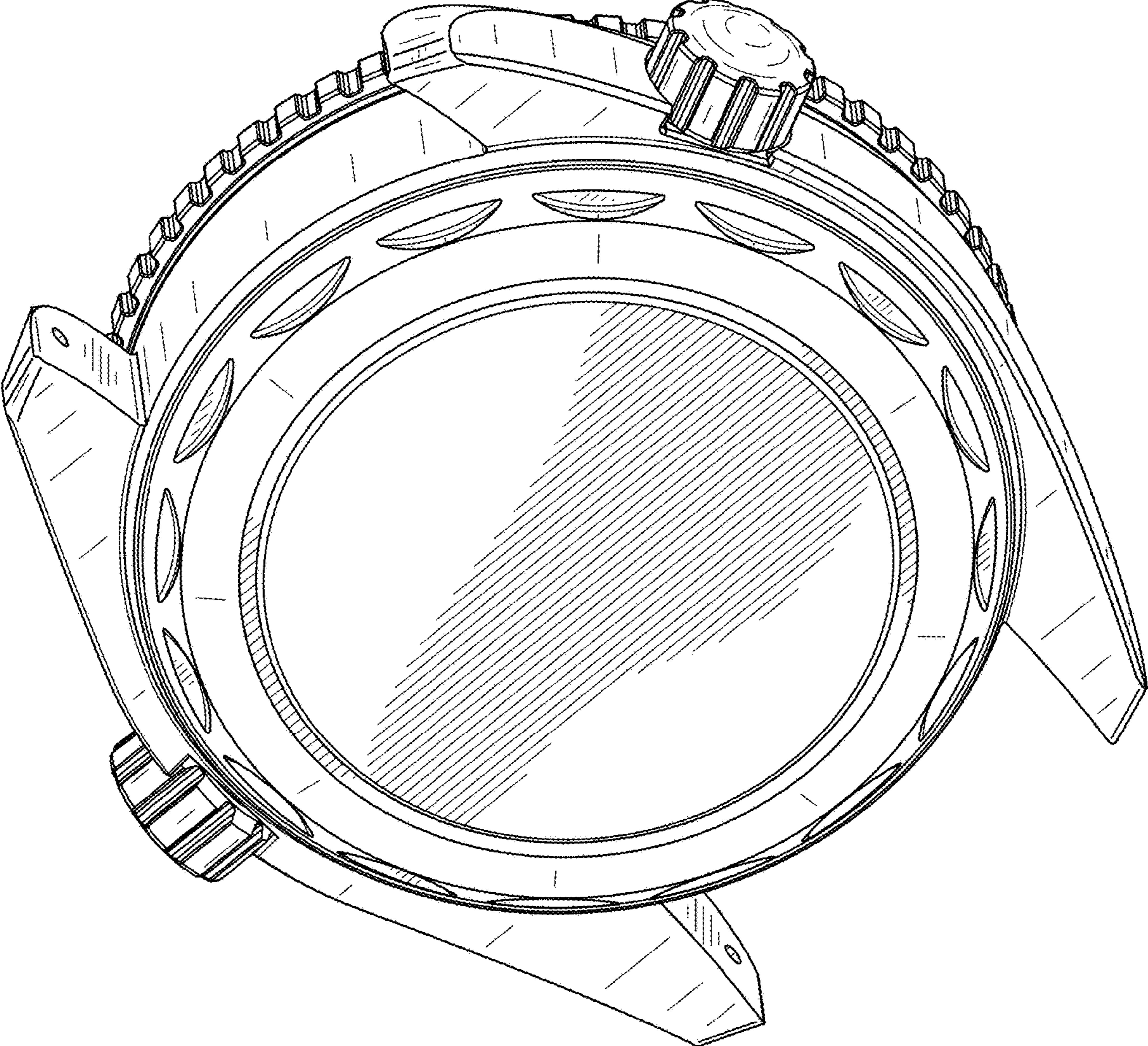


FIG. 2

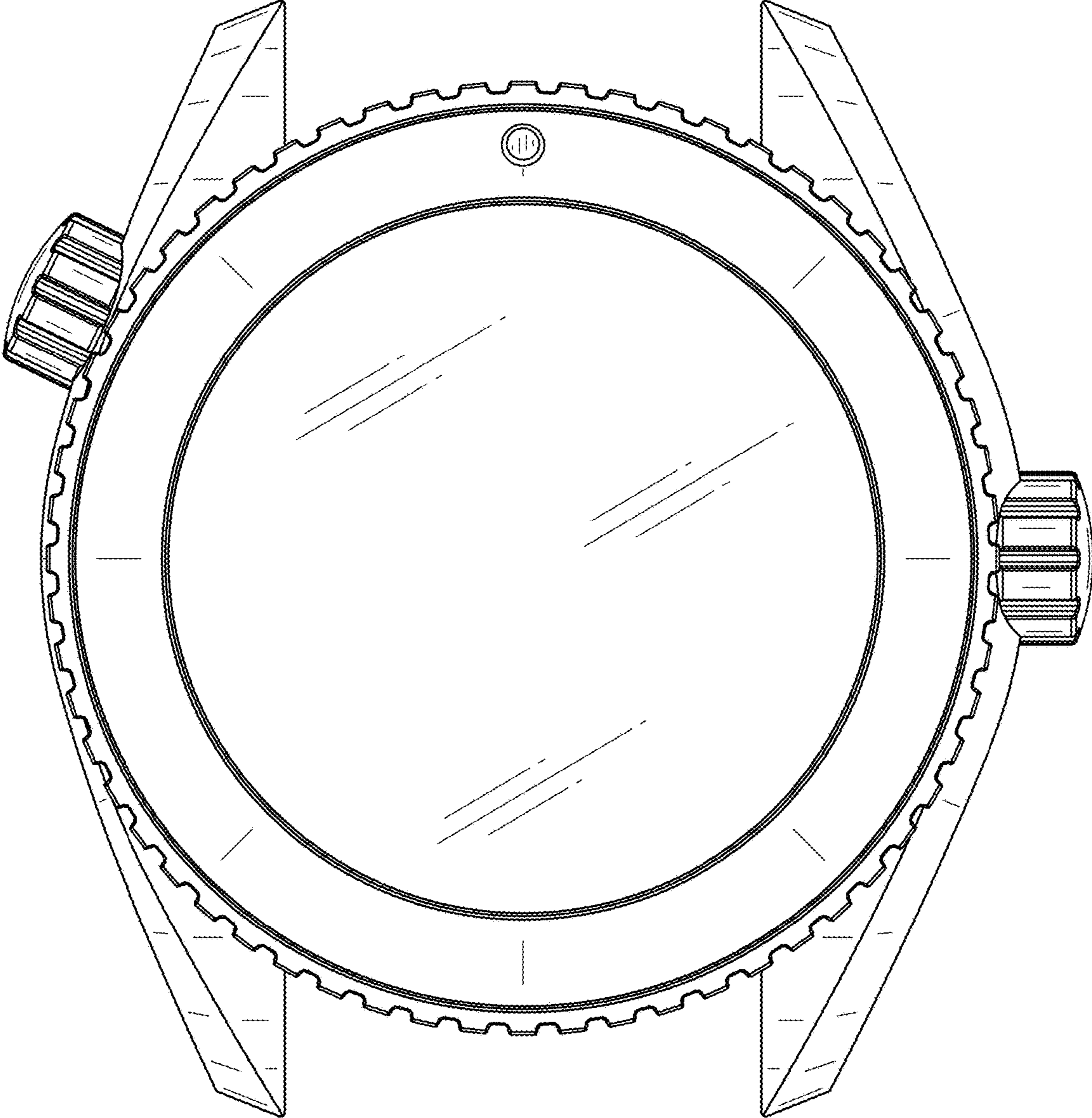


FIG. 3

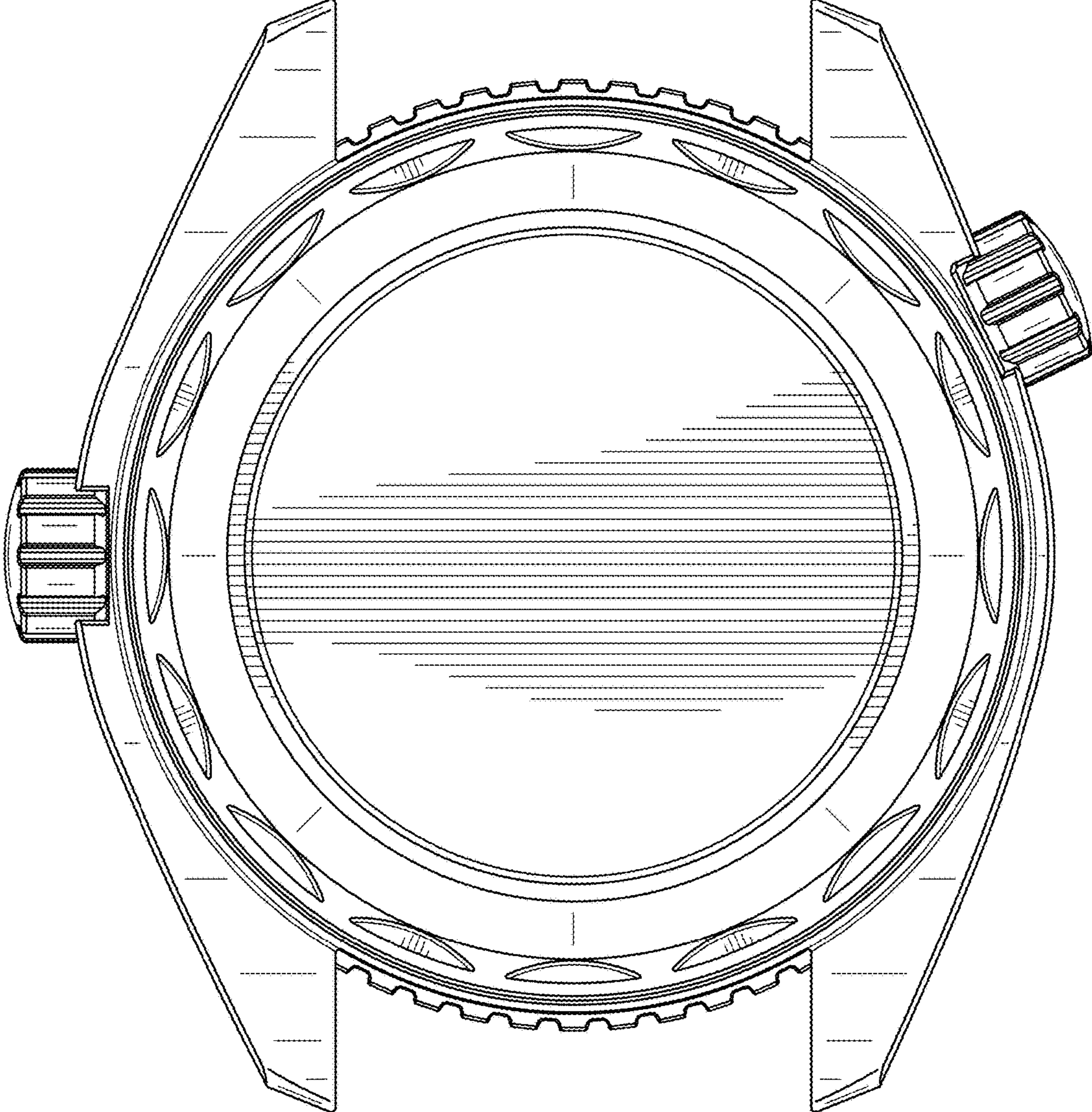


FIG. 4

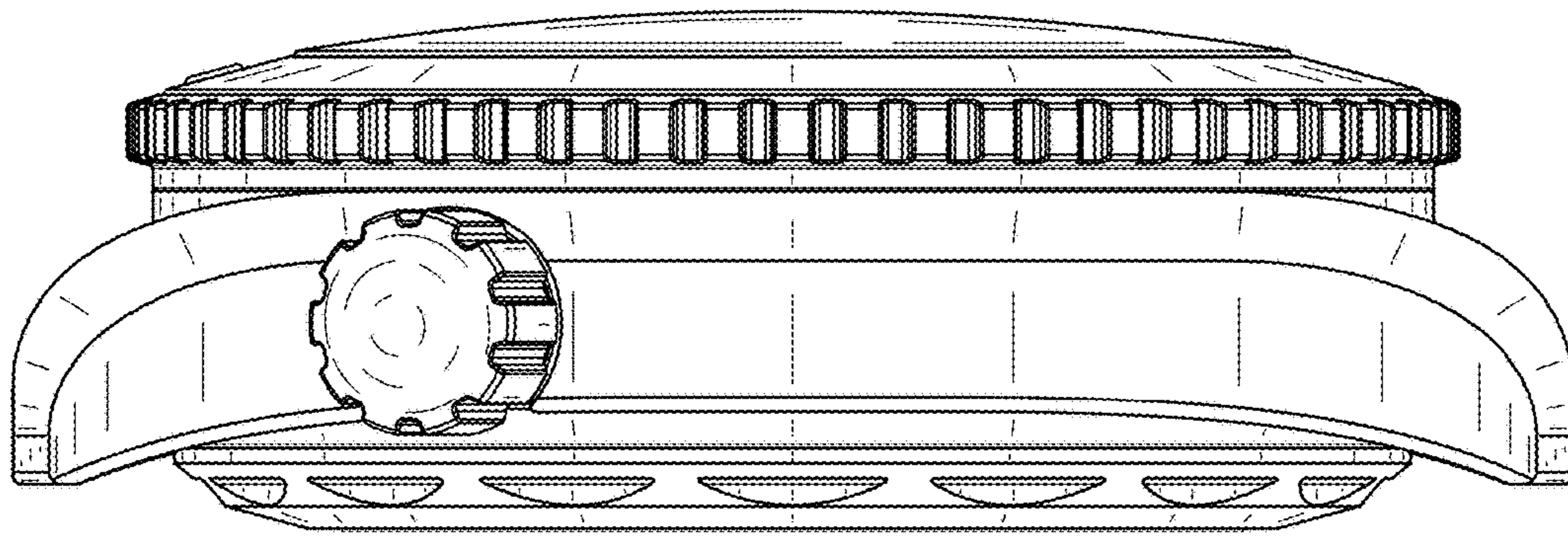


FIG. 5

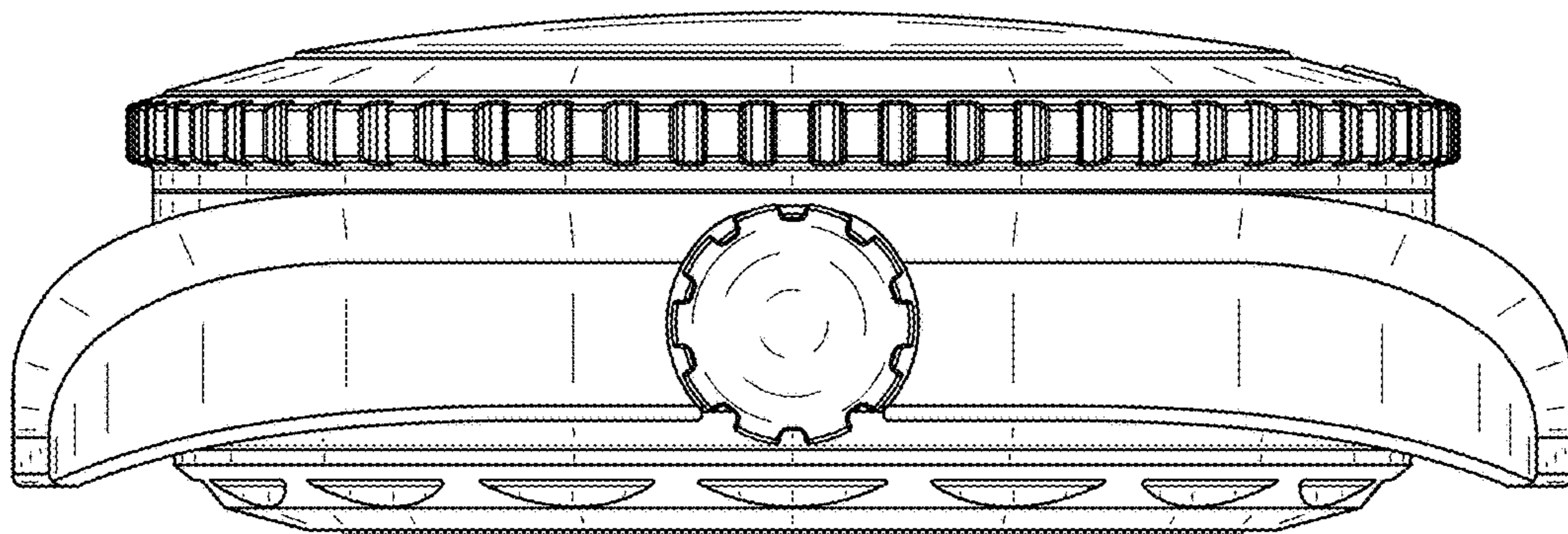


FIG. 6

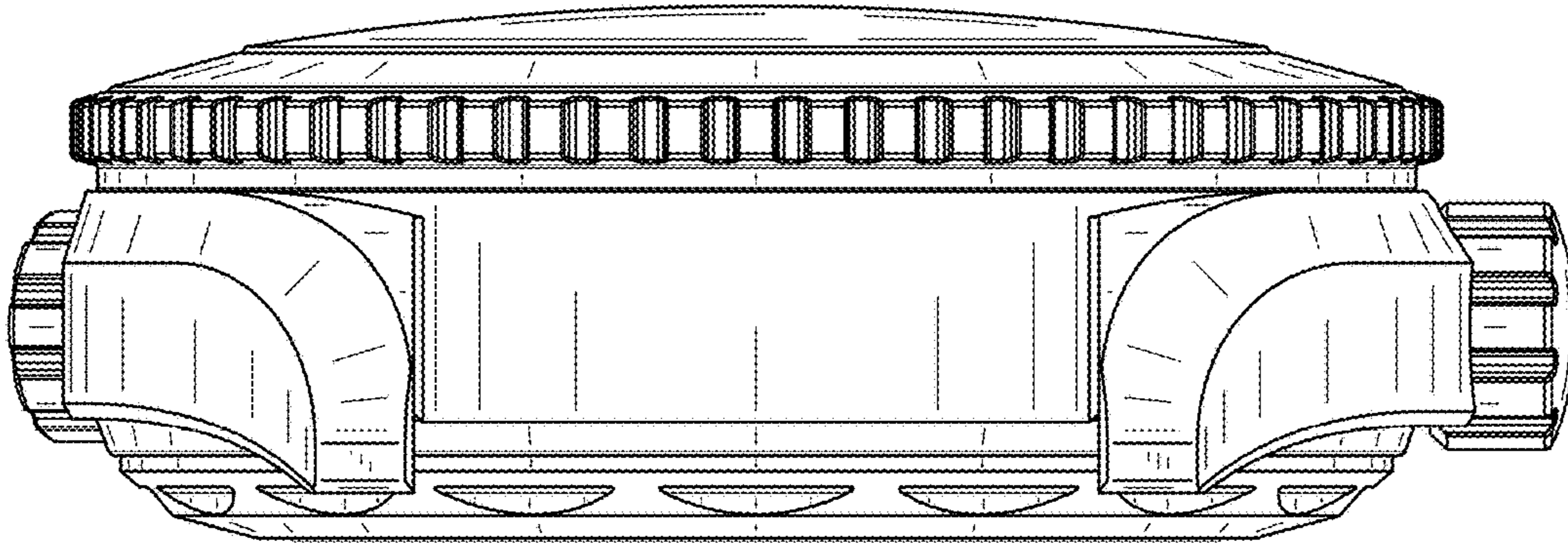


FIG. 7

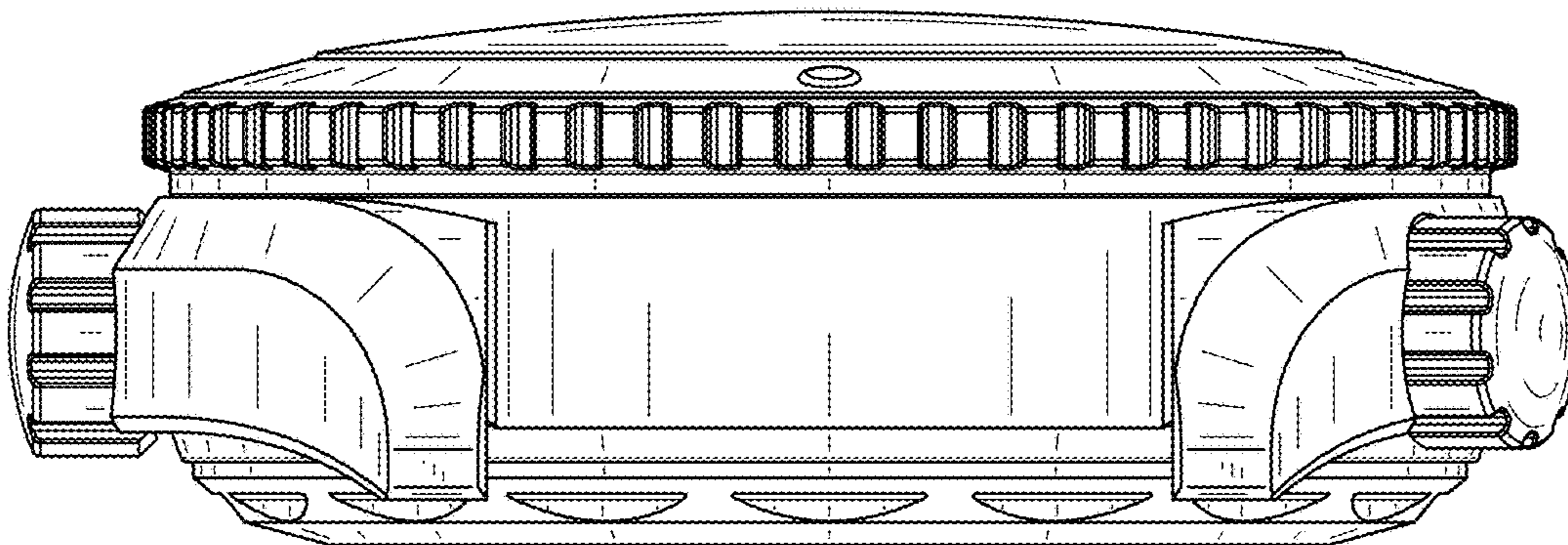


FIG. 8