



US00D801193S

(12) **United States Design Patent**
Vorobej

(10) **Patent No.:** **US D801,193 S**
(45) **Date of Patent:** **** Oct. 31, 2017**

(54) **PACKAGE**

DESCRIPTION

- (71) Applicant: **Anndrea Vorobej**, Greensboro, NC (US)
- (72) Inventor: **Anndrea Vorobej**, Greensboro, NC (US)
- (73) Assignee: **XPO Logistics Supply Chain**, High Point, NC (US)
- (**) Term: **14 Years**
- (21) Appl. No.: **29/525,736**
- (22) Filed: **May 1, 2015**
- (51) **LOC (10) Cl.** **09-03**
- (52) **U.S. Cl.**
USPC **D9/756; D9/425**
- (58) **Field of Classification Search**
USPC D9/341, 347, 414-432, 440, 444, 447, D9/449, 450-454, 503, 504, 737, 759,
(Continued)

FIG. 1 is a perspective view of a package comprising the present invention.
 FIG. 2 is a front elevational view of the package shown in FIG. 1.
 FIG. 3 is a rear elevational view of the package shown in FIGS. 1 and 2.
 FIG. 4 is a right elevational view of the package shown in FIGS. 1, 2, and 3.
 FIG. 5 is a left elevational view of the package shown in FIGS. 1, 2, 3, and 4.
 FIG. 6 is a top plan view of the package shown in FIGS. 1, 2, 3, 4, and 5.
 FIG. 7 is a bottom plan view of the package shown in FIGS. 1, 2, 3, 4, 5, and 6.
 FIG. 8 is a perspective view of another embodiment of a package comprising the present invention.
 FIG. 9 is a front elevational view of the package shown in FIG. 8.
 FIG. 10 is a rear elevational view of the package shown in FIGS. 8 and 9.
 FIG. 11 is a right elevational view of the package shown in FIGS. 8, 9, and 10.
 FIG. 12 is a left elevational view of the package shown in FIGS. 8, 9, 10, and 11.
 FIG. 13 is a top plan view of the package shown in FIGS. 8, 9, 10, 11, and 12.
 FIG. 14 is a bottom plan view of the package shown in FIGS. 8, 9, 10, 11, 12, and 13.
 FIG. 15 is a perspective view of a package comprising the present invention.
 FIG. 16 is a front elevational view of the package shown in FIG. 15.
 FIG. 17 is a rear elevational view of the package shown in FIGS. 15 and 16.
 FIG. 18 is a right elevational view of the package shown in FIGS. 15, 16, and 17.
 FIG. 19 is a left elevational view of the package shown in FIGS. 15, 16, 17, and 18.
 FIG. 20 is a top plan view of the package shown in FIGS. 15, 16, 17, 18, and 19.

(56) **References Cited**

U.S. PATENT DOCUMENTS

- 1,909,020 A 5/1933 Shields
- D204,505 S * 4/1966 Bostrom D9/757
(Continued)

OTHER PUBLICATIONS

Patent Cooperation Treaty, Invitation to Pay Additional Fees, Application No. PCT/US2016/030091 dated Jul. 27, 2016.

(Continued)

Primary Examiner — Cathron Brooks

Assistant Examiner — Teddy Falloway

(74) *Attorney, Agent, or Firm* — Kilpatrick Townsend & Stockton LLP

(57) **CLAIM**

I claim the ornamental design for a package, as shown and described.

(Continued)

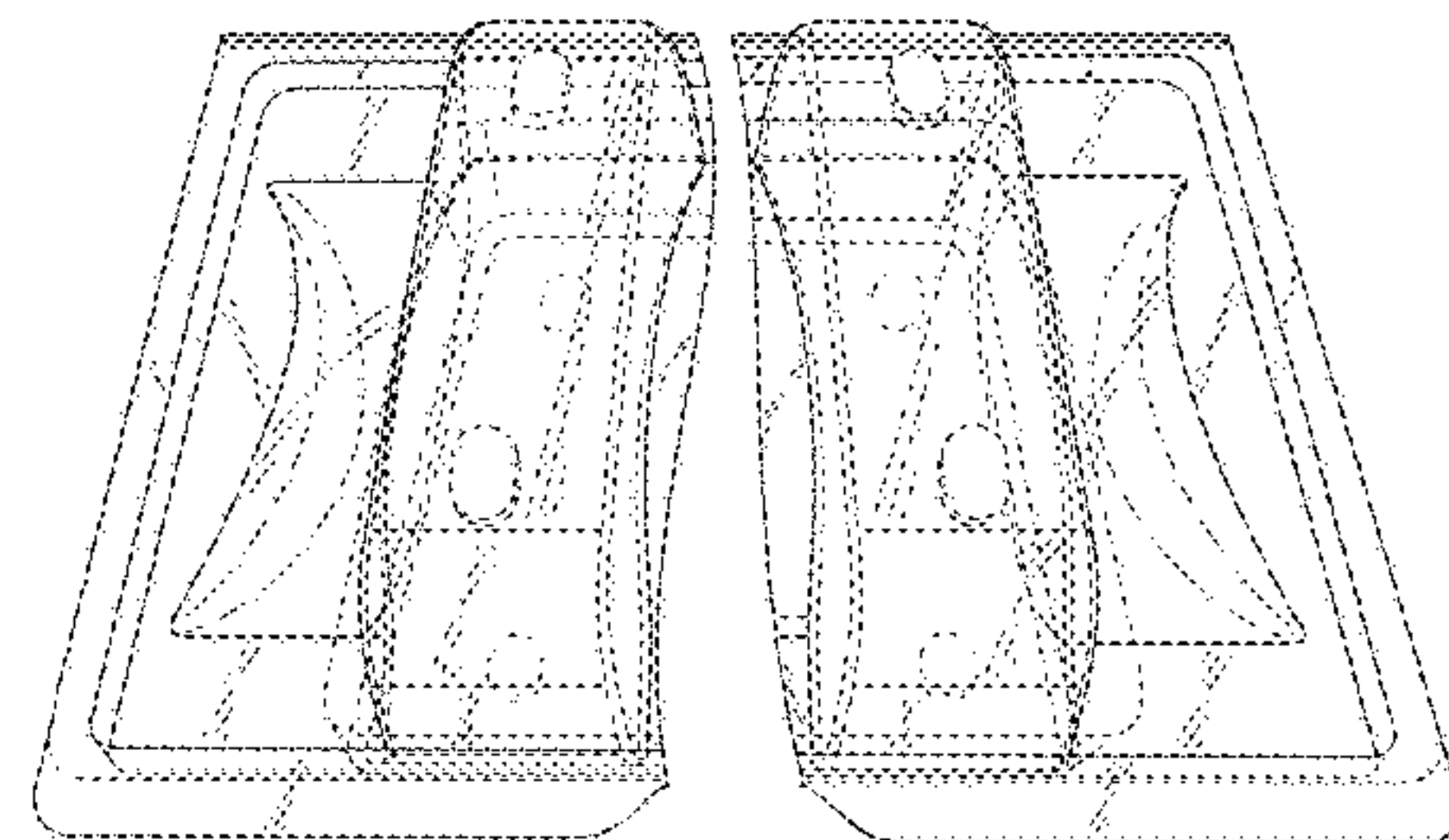
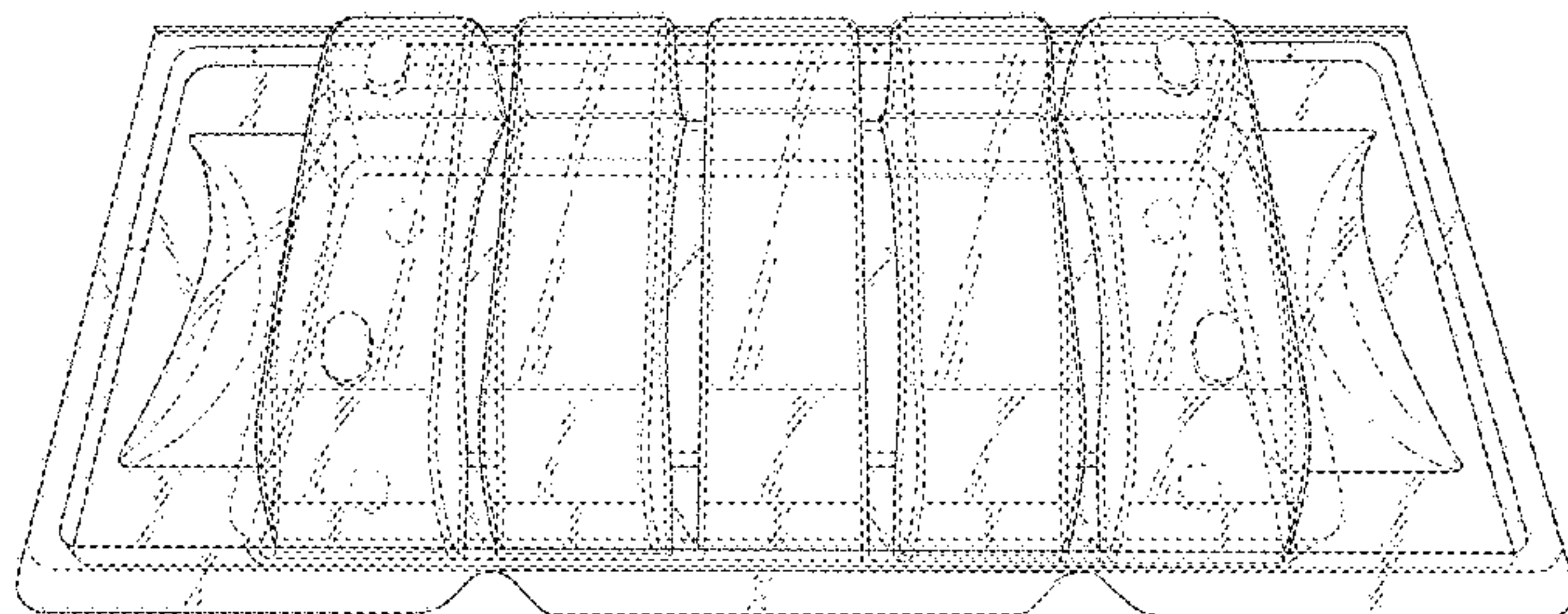


FIG. 21 is a bottom plan view of the package shown in FIGS. 15, 16, 17, 18, 19, and 20.

FIG. 22 is a perspective view of another embodiment of a package comprising the present invention.

FIG. 23 is a front elevational view of the package shown in FIG. 22.

FIG. 24 is a rear elevational view of the package shown in FIGS. 22 and 23.

FIG. 25 is a right elevational view of the package shown in FIGS. 22, 23, and 24.

FIG. 26 is a left elevational view of the package shown in FIGS. 22, 23, 24, and 25.

FIG. 27 is a top plan view of the package shown in FIGS. 22, 23, 24, 25, and 26; and,

FIG. 28 is a bottom plan view of the package shown in FIGS. 22, 23, 24, 25, 26, and 27.

The broken lines shown illustrate portions of the package that form no part of the claimed design.

The package in FIGS. 8-10, 13, 14, 22-24, 27 and 28 is shown with a symbolic break in its length, represented by curvilinear break lines. The appearance of any portion of the article between the break lines forms no part of the claimed design.

1 Claim, 20 Drawing Sheets

(58) **Field of Classification Search**

USPC D9/761; D7/672, 601, 550.1, 551.1, D7/551.2, 551.3, 552.1, 552.2, 553.1, D7/553.2, 553.3, 553.4, 553.5, 553.7, D7/553.8, 554.1, 554.3, 555, 557, 602, D7/629, 630, 538-549, 612-615, 584, D7/586, 587, 392.1, 709, 502, 608, 622, D7/701, 703, 543-549, 317-319, 391, D7/392, 396.2, 510, 511; D3/273, D3/201-206, 276, 283, 284, 295, 274, D3/302; 249/126, 134; 206/216, 217, 206/541-550, 518, 557, 558, 561, 564, 206/223, 467; 220/669-673, 675, 220/574-575, 573.1, 4.21, 660, 326, 236, 220/780-806, 4.24, 288, 260, 266, 306, 220/352, 356, 523, 23.8, 23.2, 23.83, 220/23.4, 662, 700, 701, 703, 711, 220/713-715, 719; 426/106; 229/107, 229/406, 120, 125.17; 215/211, 200, 224, 215/243
CPC A47G 19/065; A47G 19/02; B65B 5/026; B65D 1/34; B65D 1/33; B65D 21/00; B65D 21/0204

See application file for complete search history.

(56)

References Cited

U.S. PATENT DOCUMENTS

3,342,397	A *	9/1967	Duitsman	B65D 1/36 206/515
3,948,455	A *	4/1976	Schwartz	B65D 83/0847 206/394
D244,121	S *	4/1977	Schwartz	D9/730
5,232,094	A *	8/1993	Fagnant	B65D 75/324 206/445
D409,947	S *	5/1999	Bongard	D11/155
D423,344	S *	4/2000	Kumakura	D9/415
D433,936	S *	11/2000	Pirro	D9/415
D450,239	S *	11/2001	Otto	D9/415
D479,125	S *	9/2003	Kumakura	D9/415
D479,126	S *	9/2003	Kumakura	D9/415
7,303,115	B1	12/2007	McClymont	
D588,934	S *	3/2009	Bailey	D9/418
7,556,152	B2	7/2009	Lechelle	
D616,250	S *	5/2010	Peyton	D7/553.3
D651,450	S *	1/2012	Pallotto	D7/368
D653,158	S *	1/2012	Wardenburg	D11/145
8,584,881	B2 *	11/2013	Hernandez	B65D 21/0223 206/521
D727,750	S *	4/2015	Murphy	D9/759
D729,624	S *	5/2015	Carroll	D9/456
D747,869	S *	1/2016	Priebe	D3/203.3
D758,850	S *	6/2016	Dibnah	D9/429
D762,294	S *	7/2016	Hanna	D23/366
2003/0053896	A1	3/2003	Kern et al.	
2004/0182740	A1 *	9/2004	Lechelle	B65D 75/24 206/557
2005/0061709	A1 *	3/2005	Sieling	B44D 3/02 206/575
2006/0096887	A1	5/2006	Morrison	
2007/0227943	A1	10/2007	Foushee	
2008/0023472	A1	1/2008	Brandt	
2011/0226663	A1	9/2011	Bushell et al.	
2016/0318682	A1 *	11/2016	Vorobej	A45C 11/10

OTHER PUBLICATIONS

“Ram memory clamshell packaging 1870”, web page at <https://www.youtube.com/watch?v=JFFQOllfgE>, as available via the Internet, accessed on Mar. 3, 2015.

“72 pin ram simm memory module plastic boxed packaging blister clamshell tray”, web page at <https://www.youtube.com/watch?v=BenzSHIBidw>, as available via the Internet, accessed on Mar. 3, 2015.

“Macaron blister packaging, Clamshell Packaging, Used for Macrons, Customized Designs are Accept”, web page at <http://www.fazendomedia.com/pz5d86e9b-cz564bf5b-macaron-blister-packaging-clamshell-packaging-used-for-macrons-customized-designs-are-accept.html>, as available via the Internet, accessed on Mar. 3, 2015.

“Clear blister shell box for macaron BL-005” web page at <http://www.food-display-stand.com/Products/Products58.html>, as available via the Internet, accessed on Mar. 3, 2015.

* cited by examiner

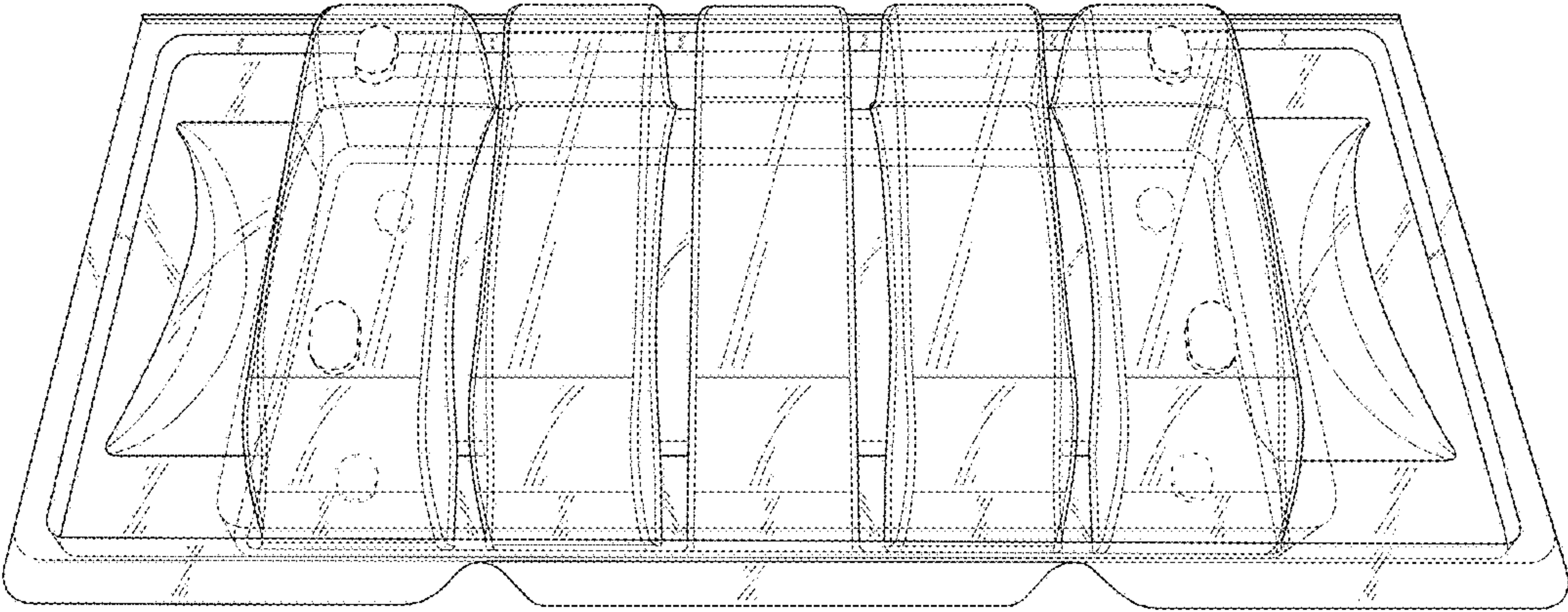


FIG. 1

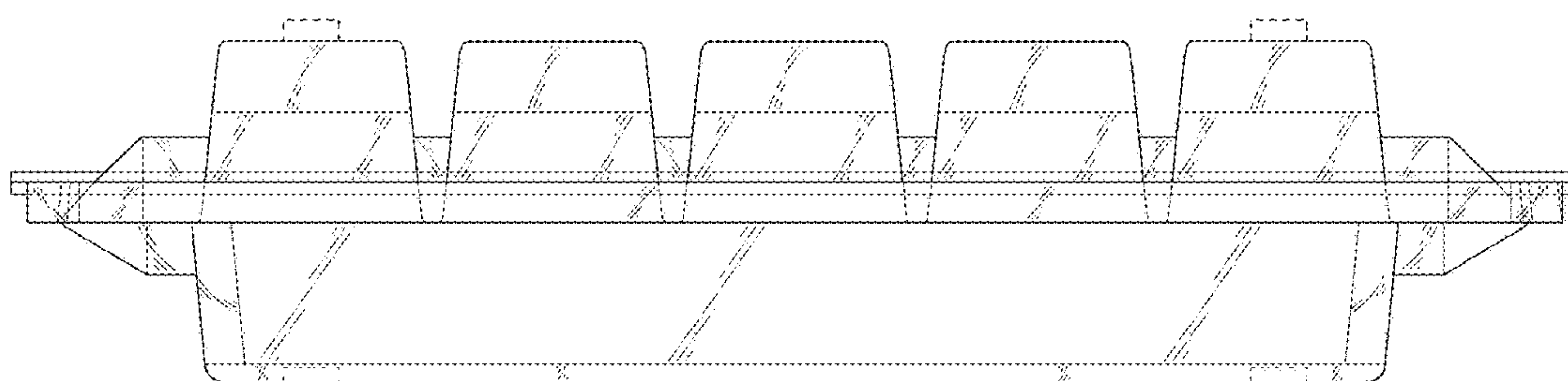


FIG. 2

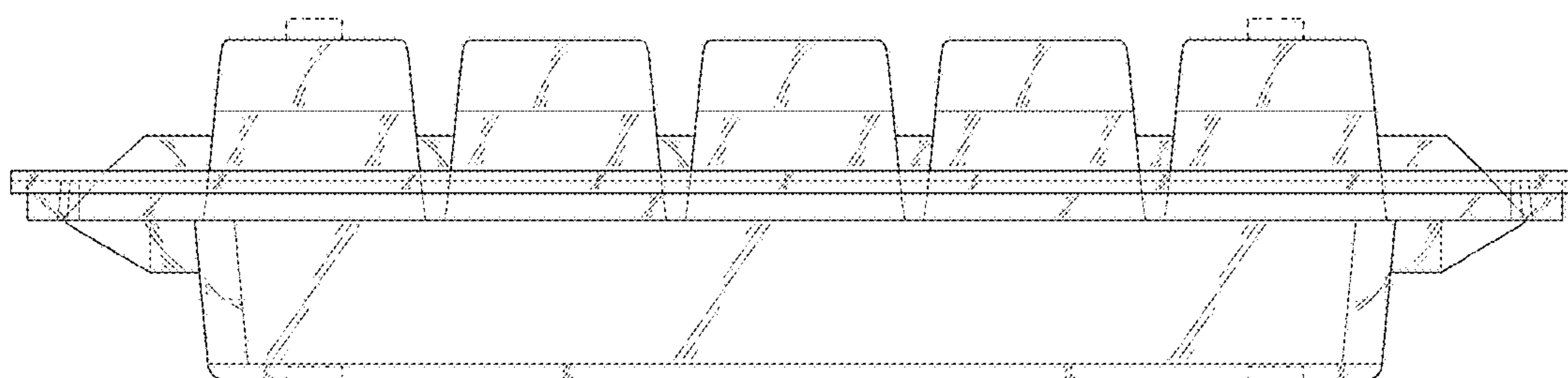


FIG. 3

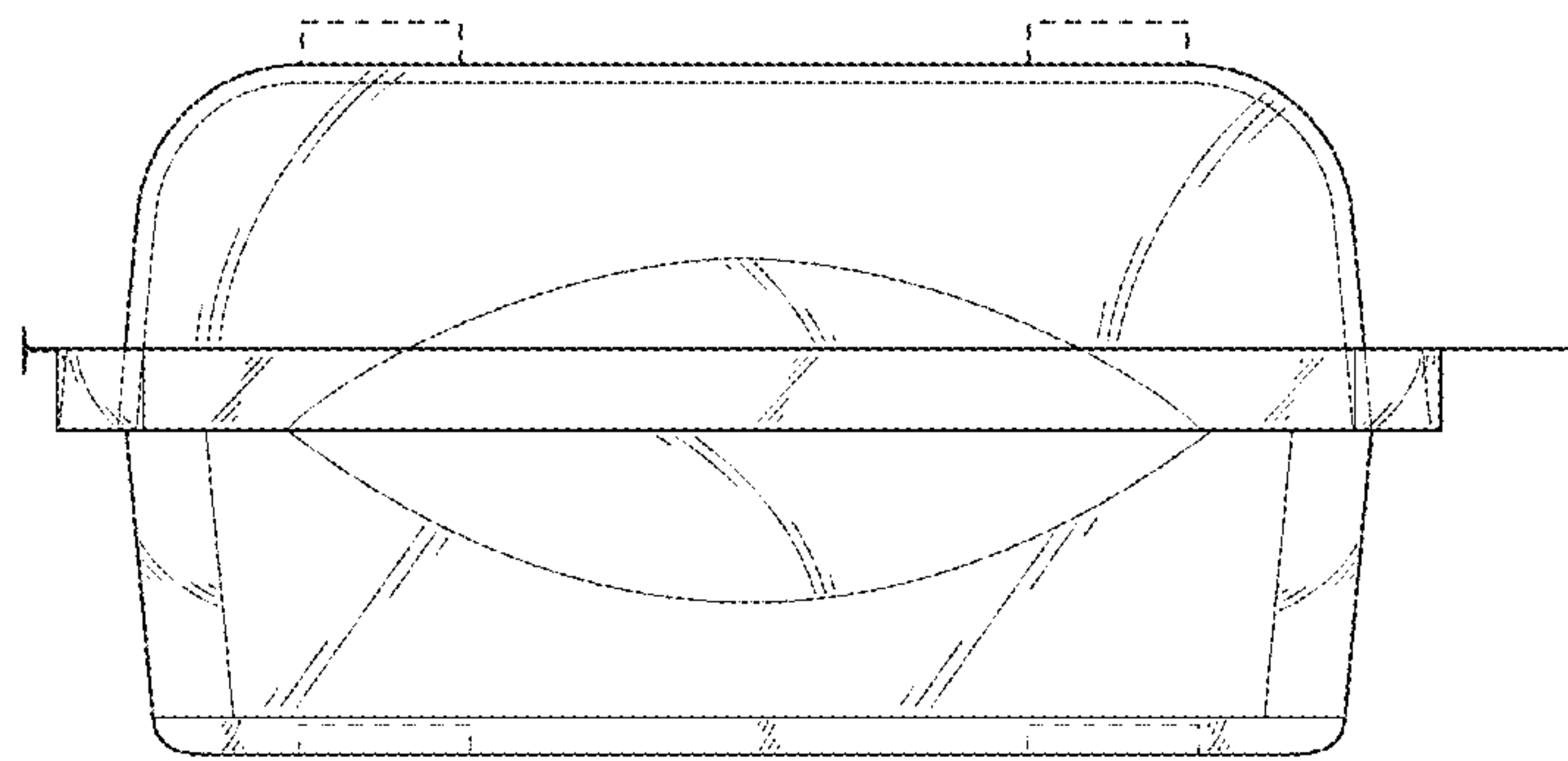


FIG. 4

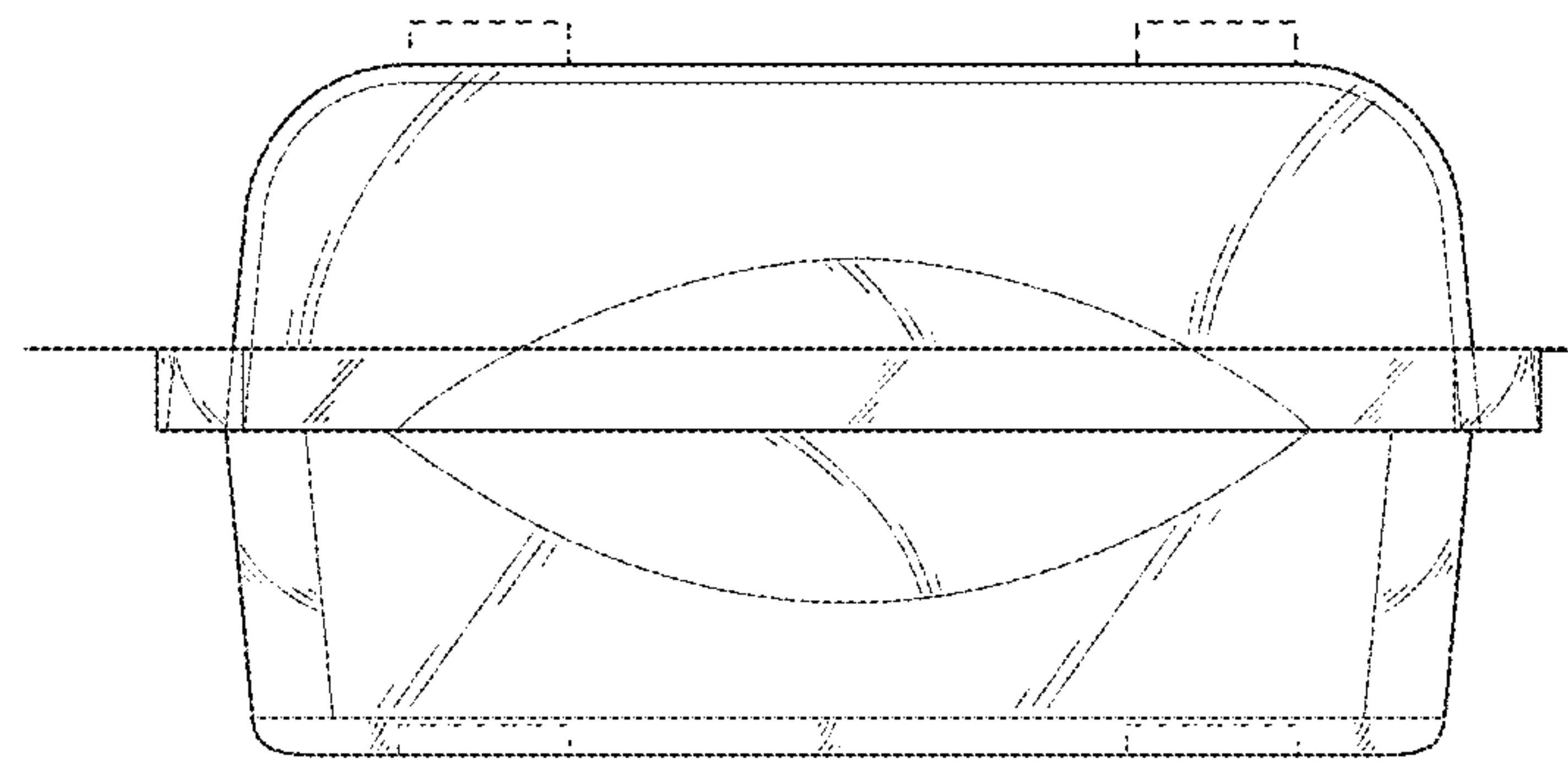


FIG. 5

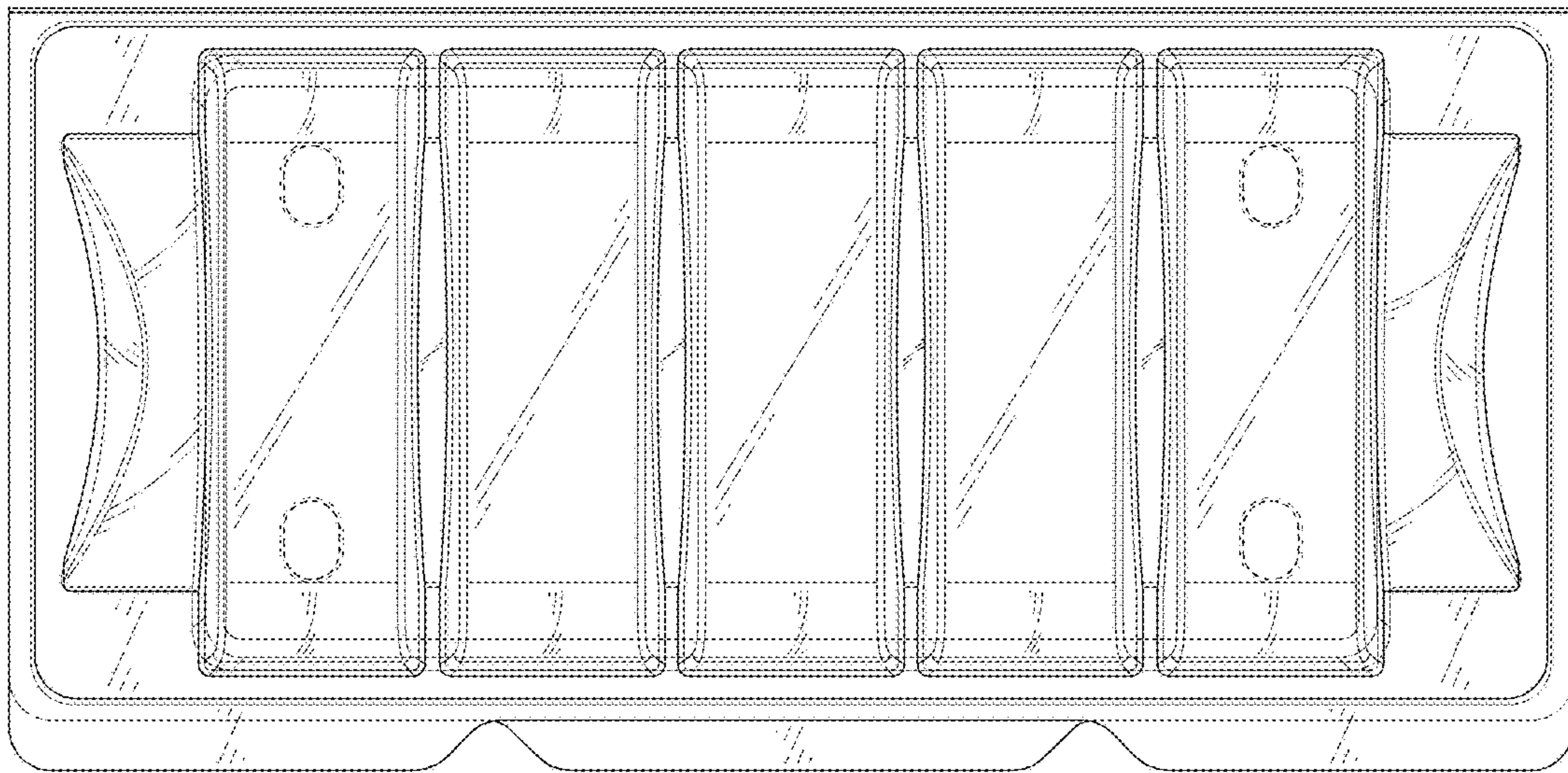


FIG. 6

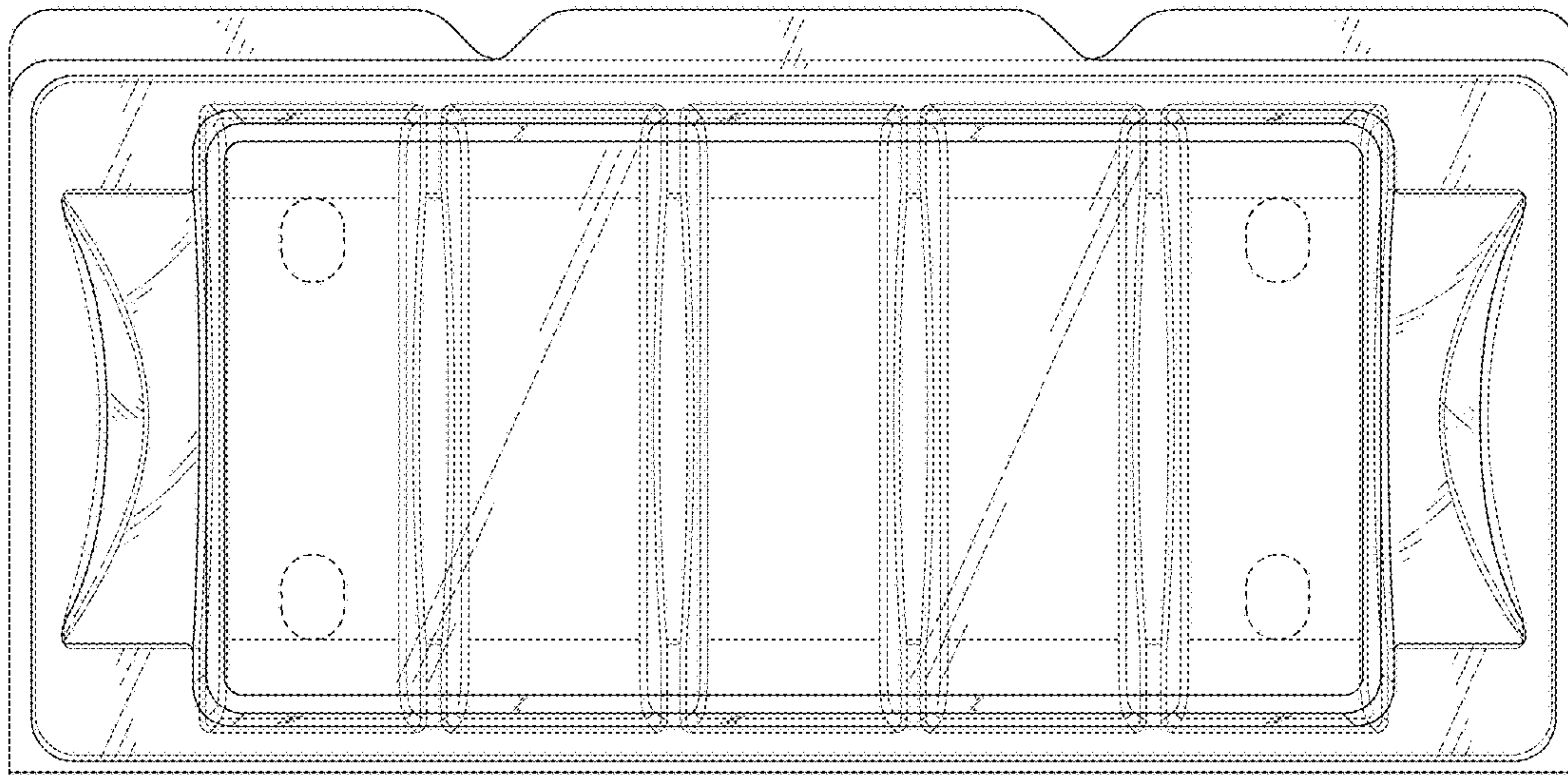


FIG. 7

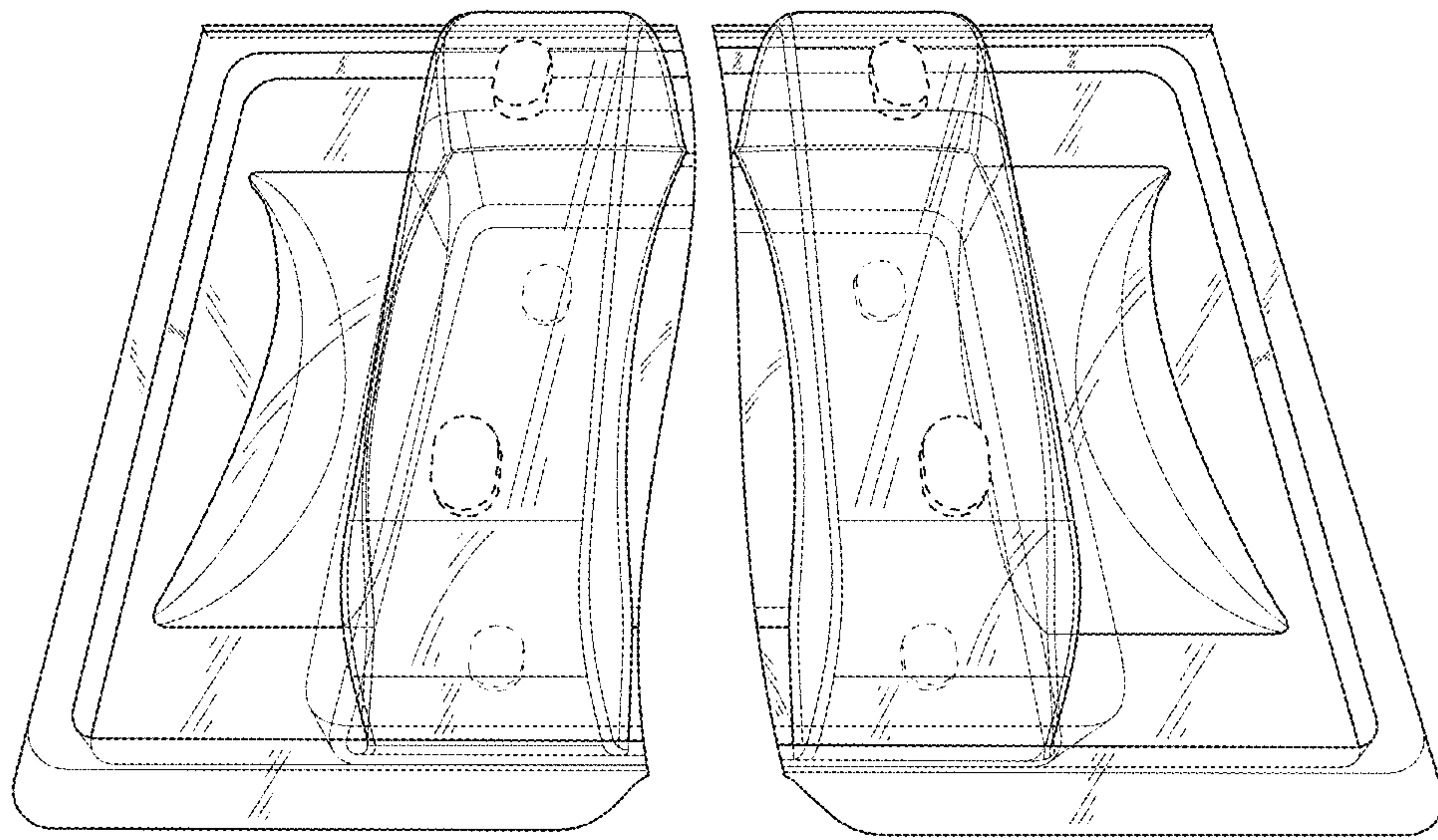


FIG. 8

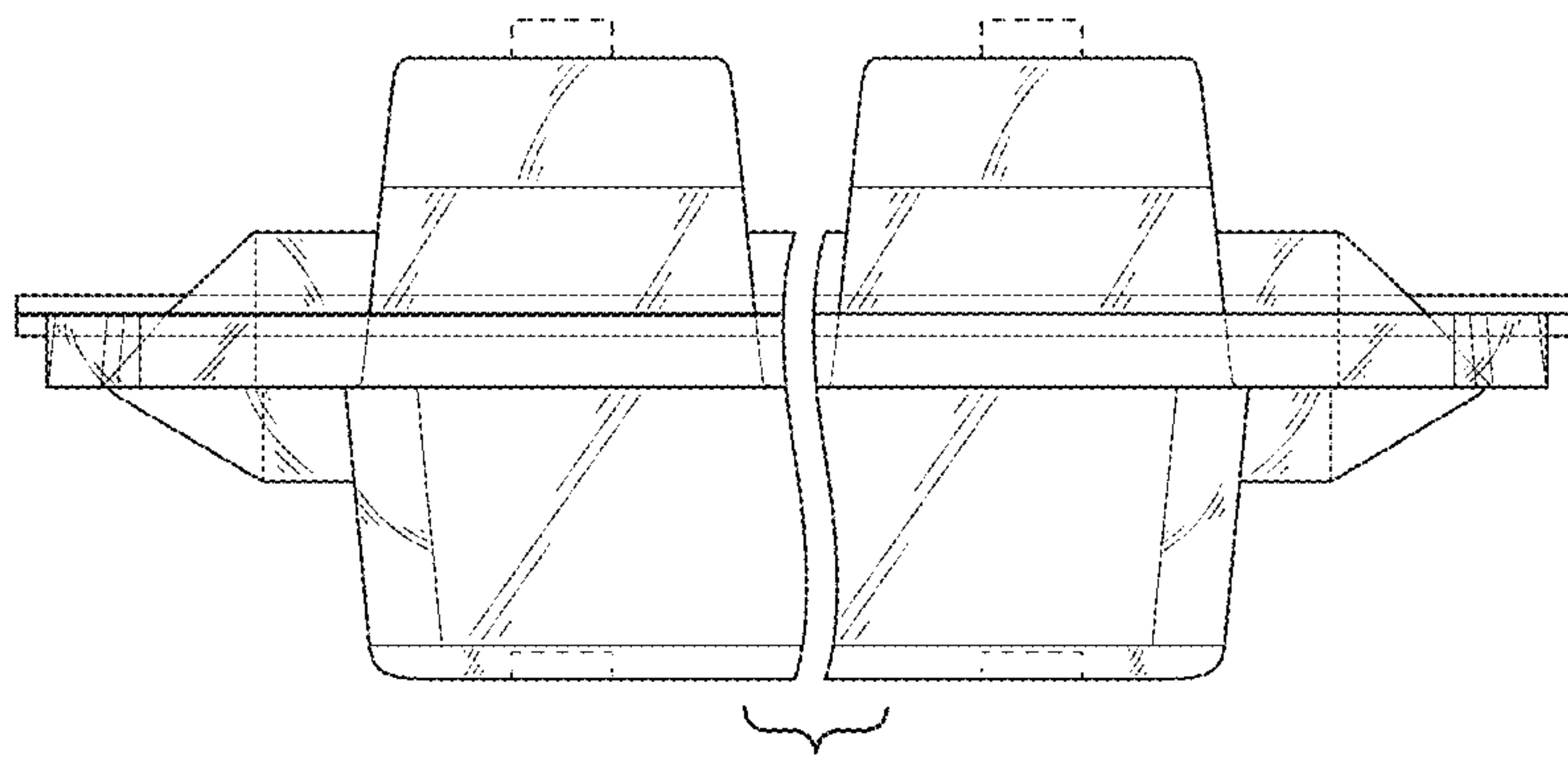


FIG. 9

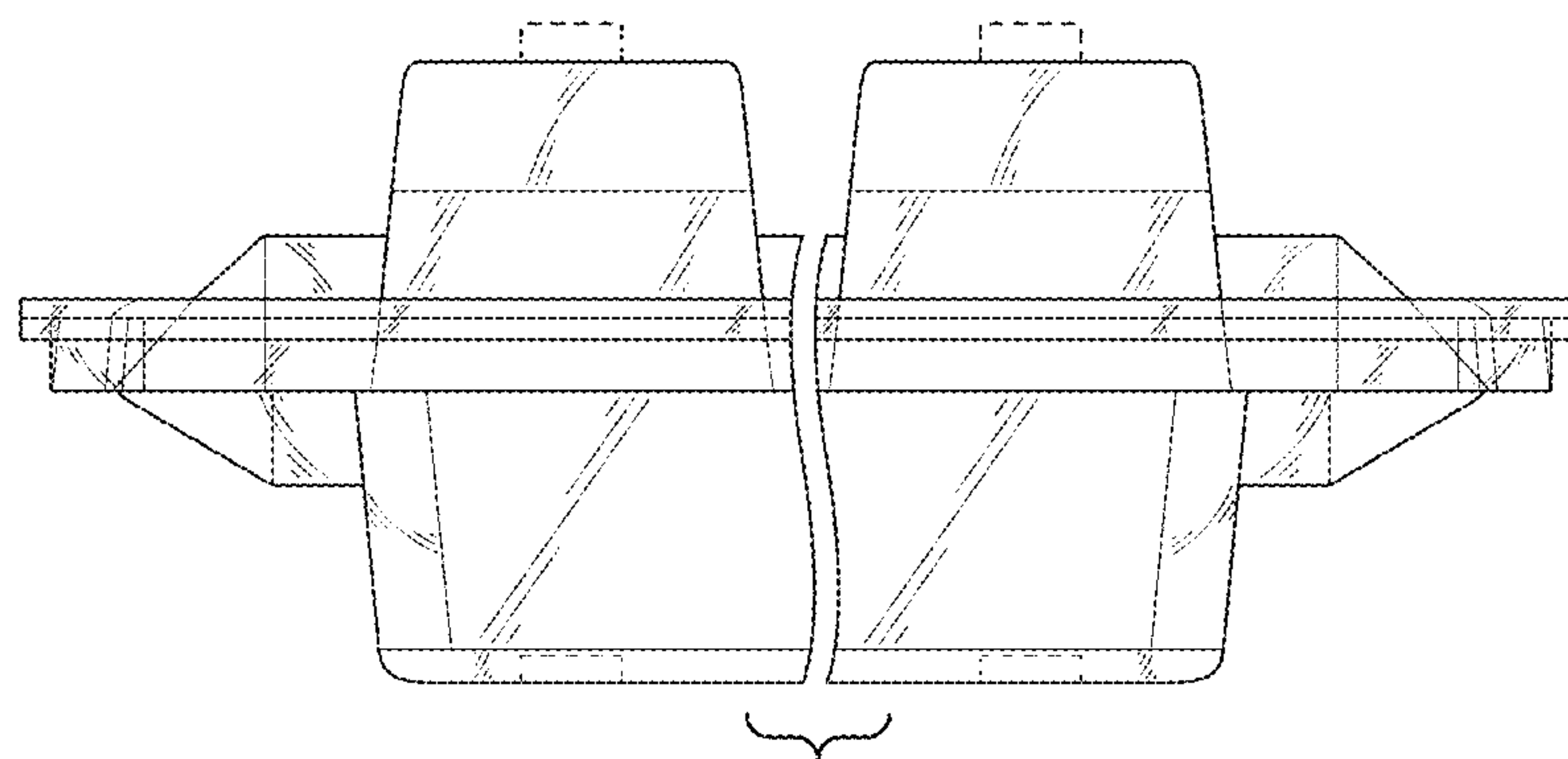


FIG. 10

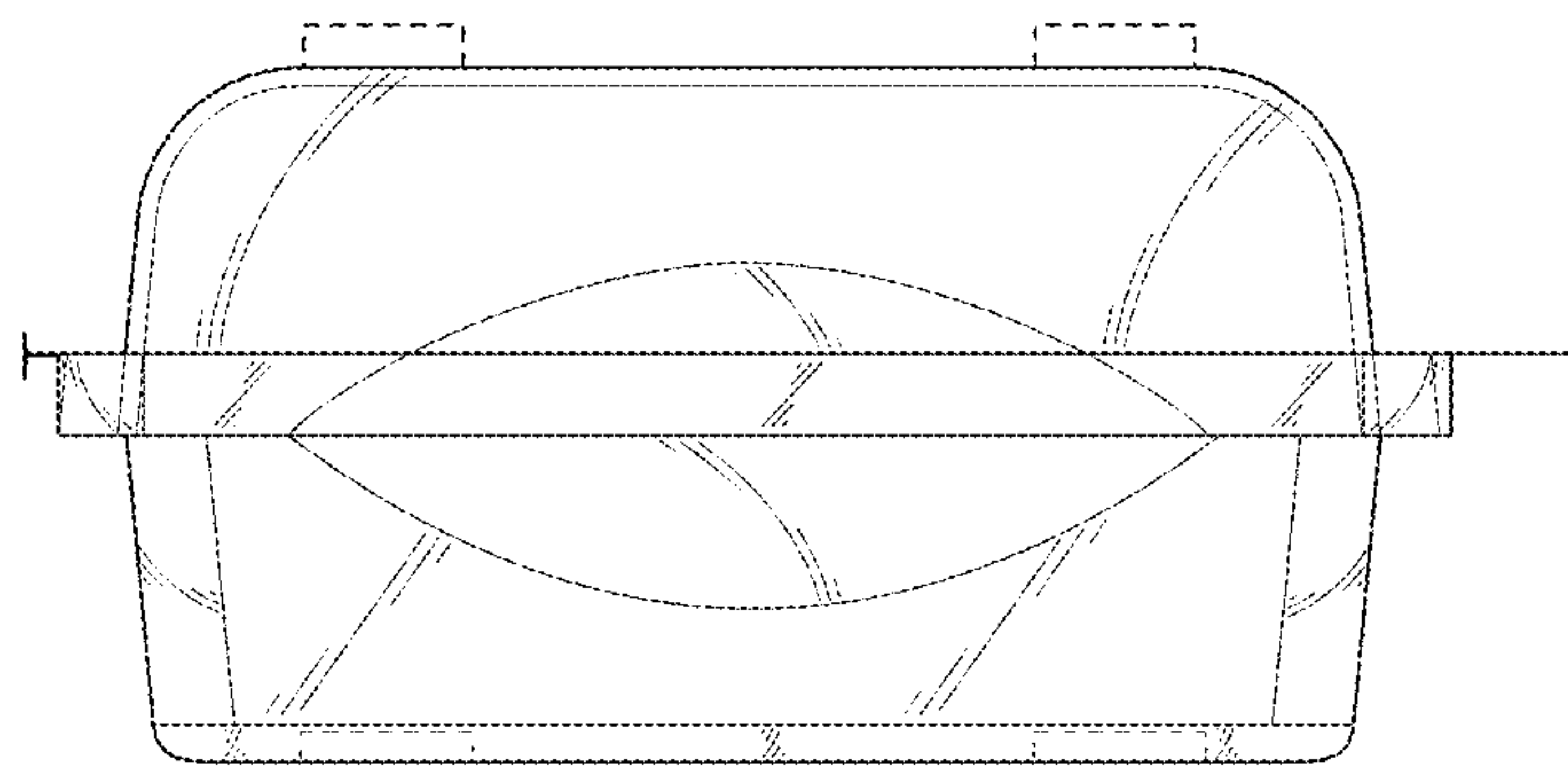


FIG. 11

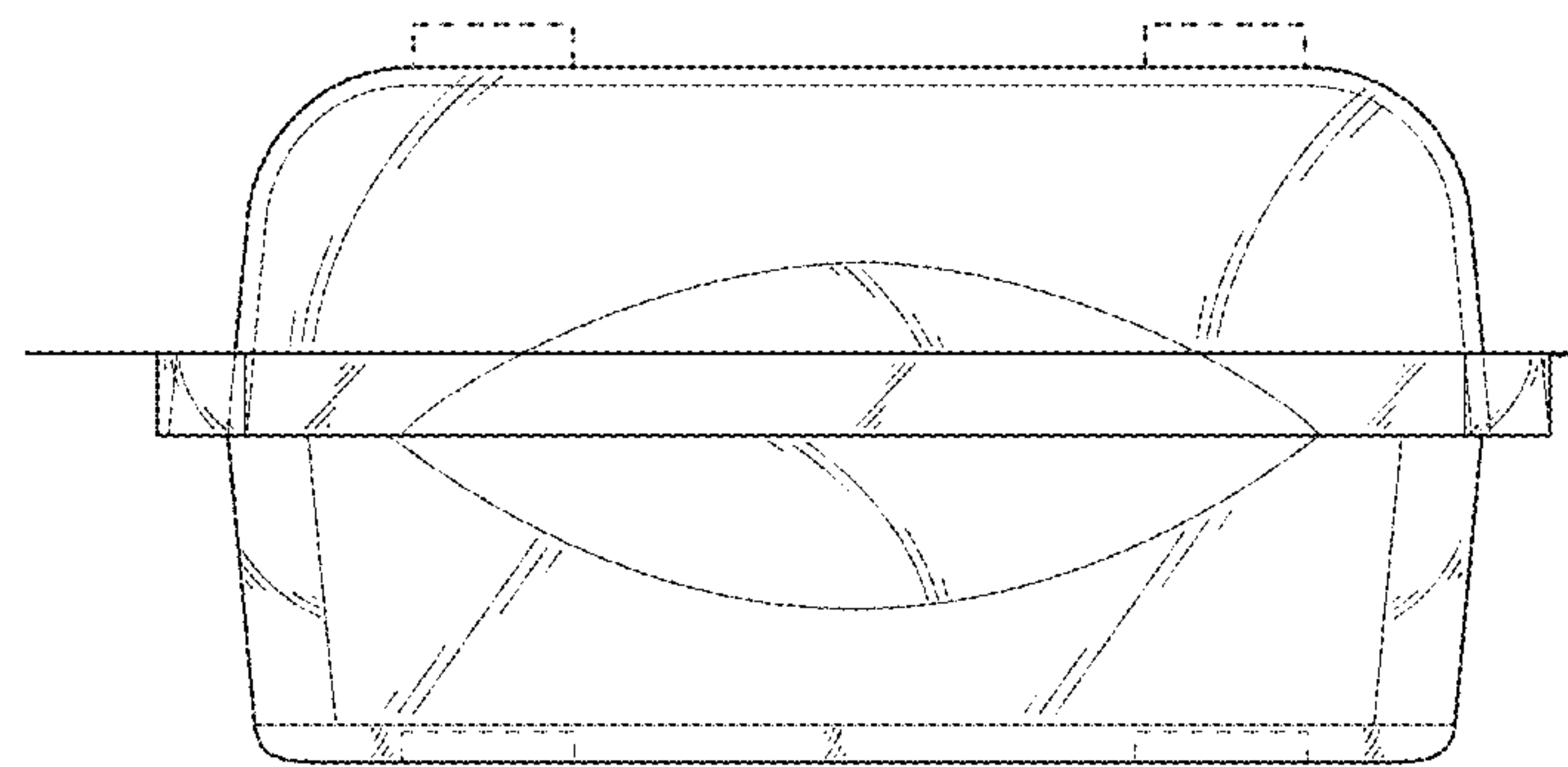


FIG. 12

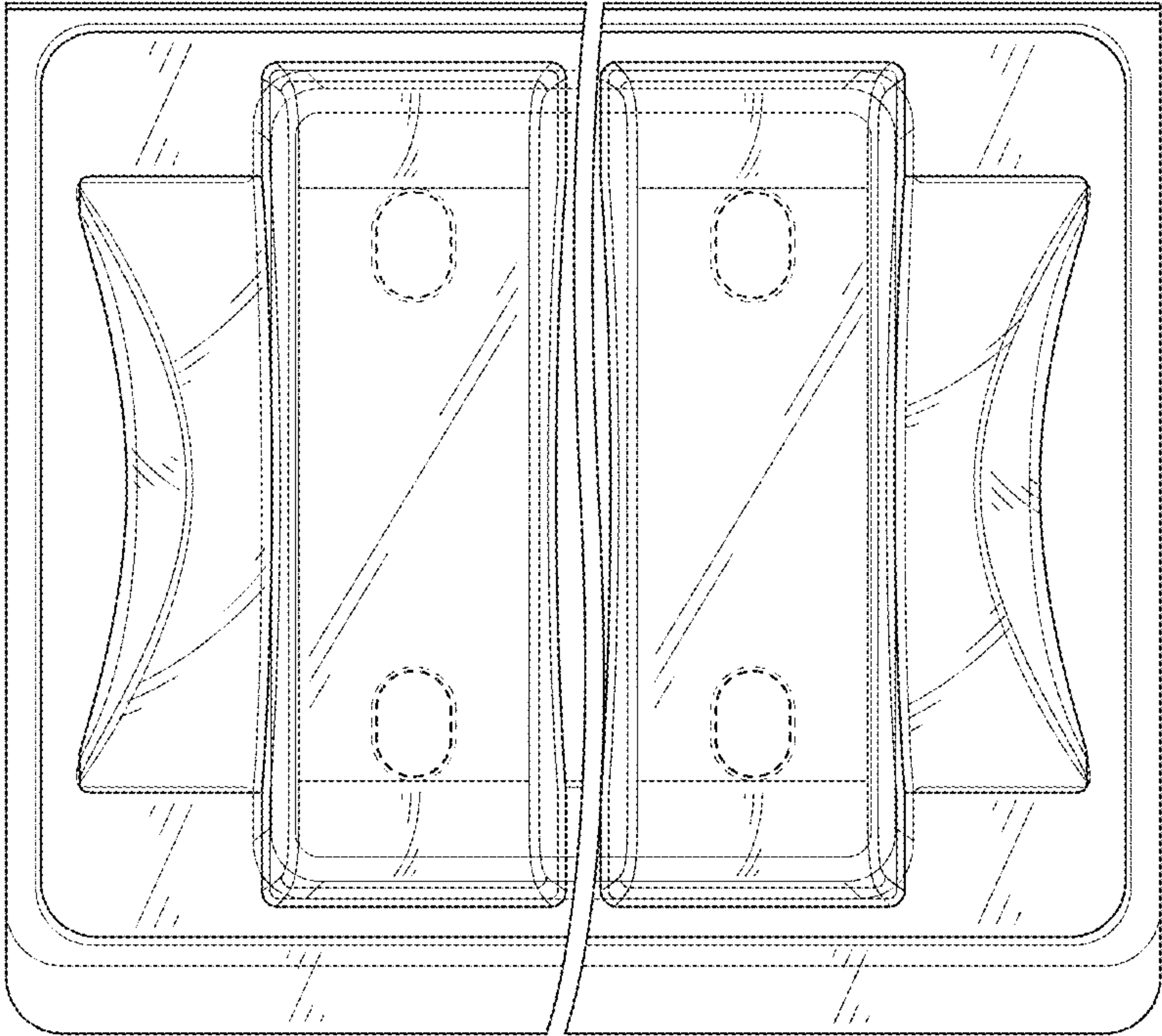


FIG. 13

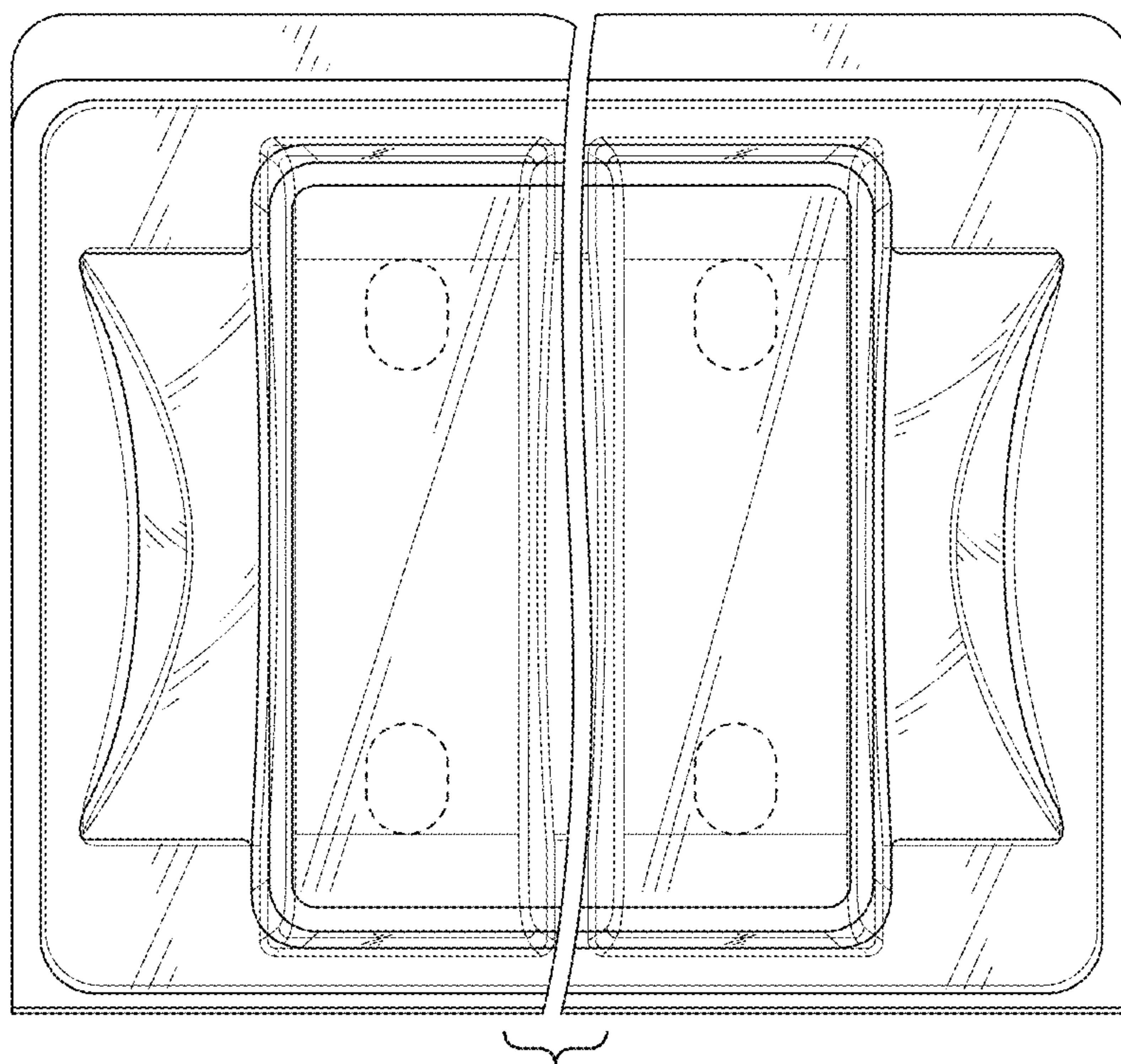


FIG. 14

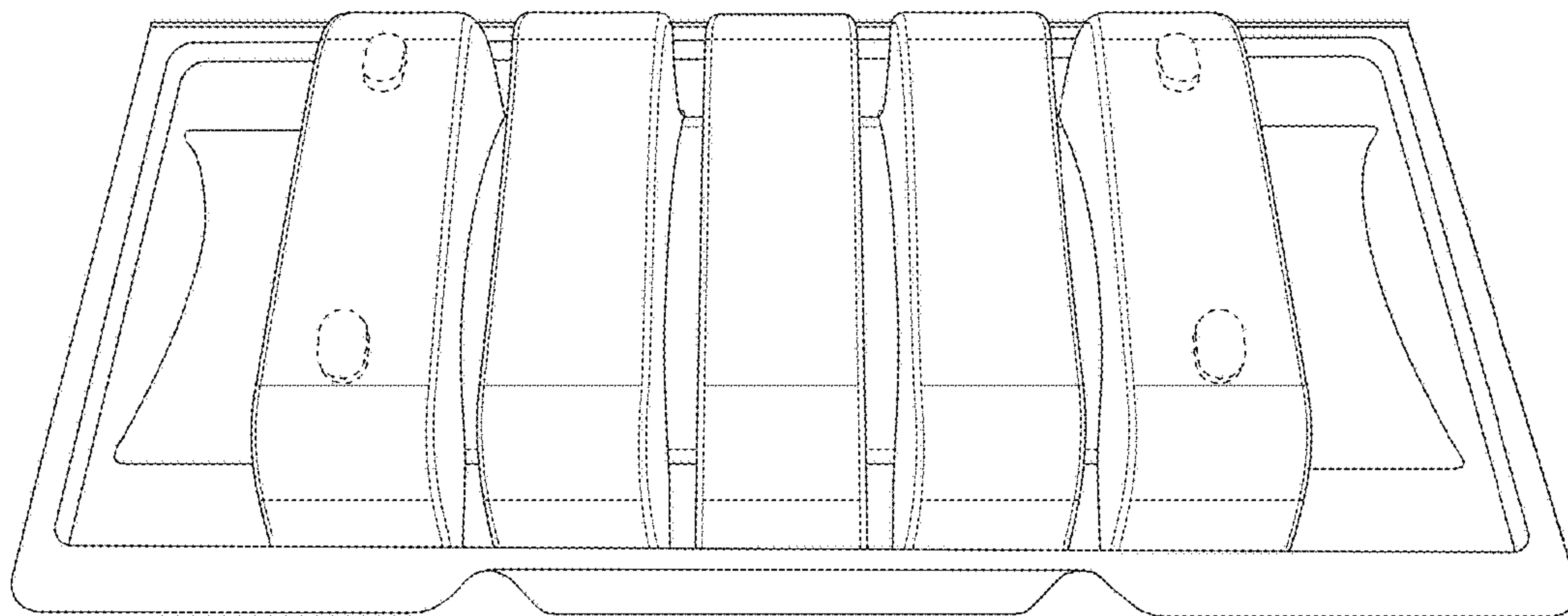


FIG. 15

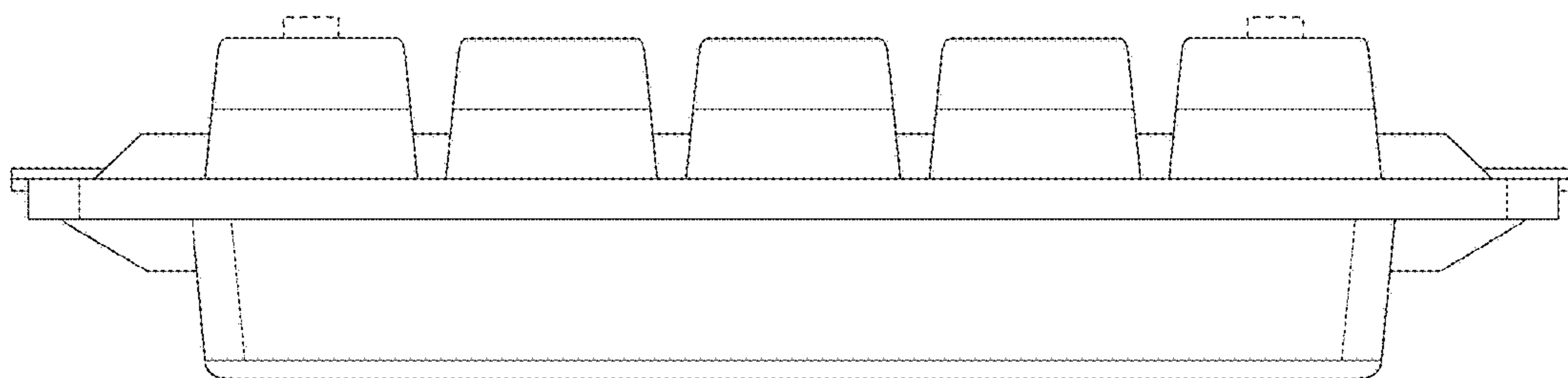


FIG. 16

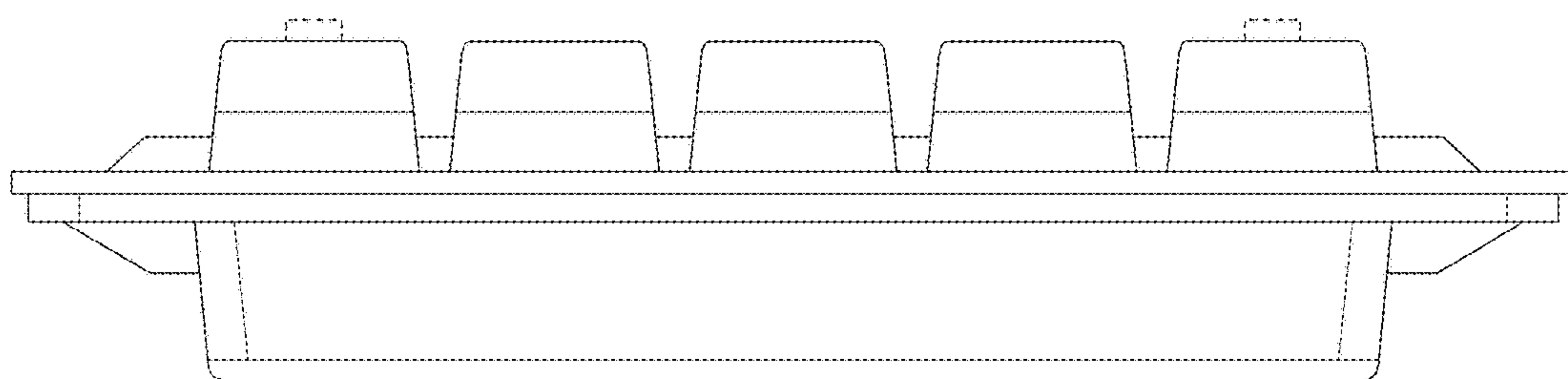


FIG. 17

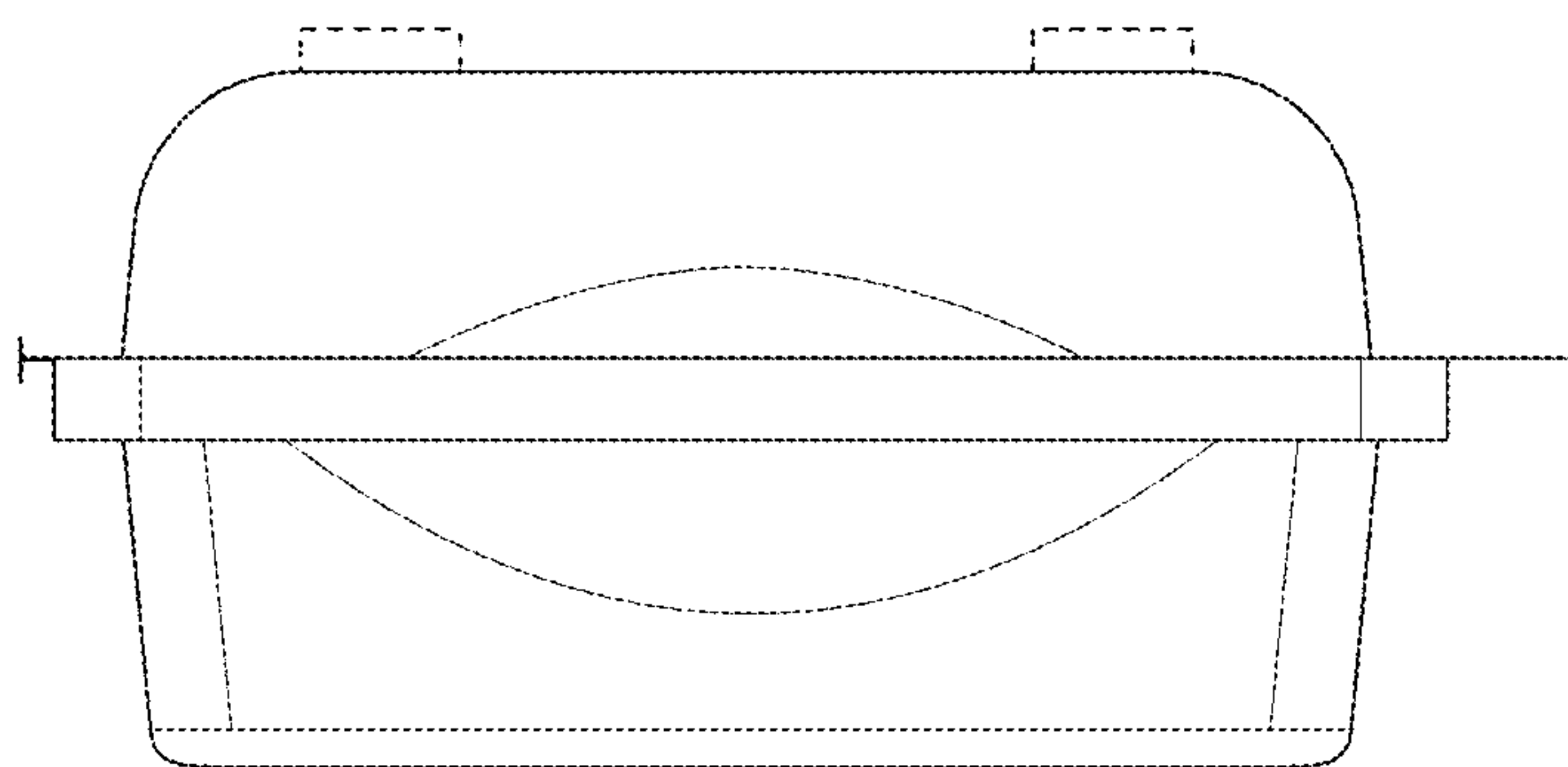


FIG. 18

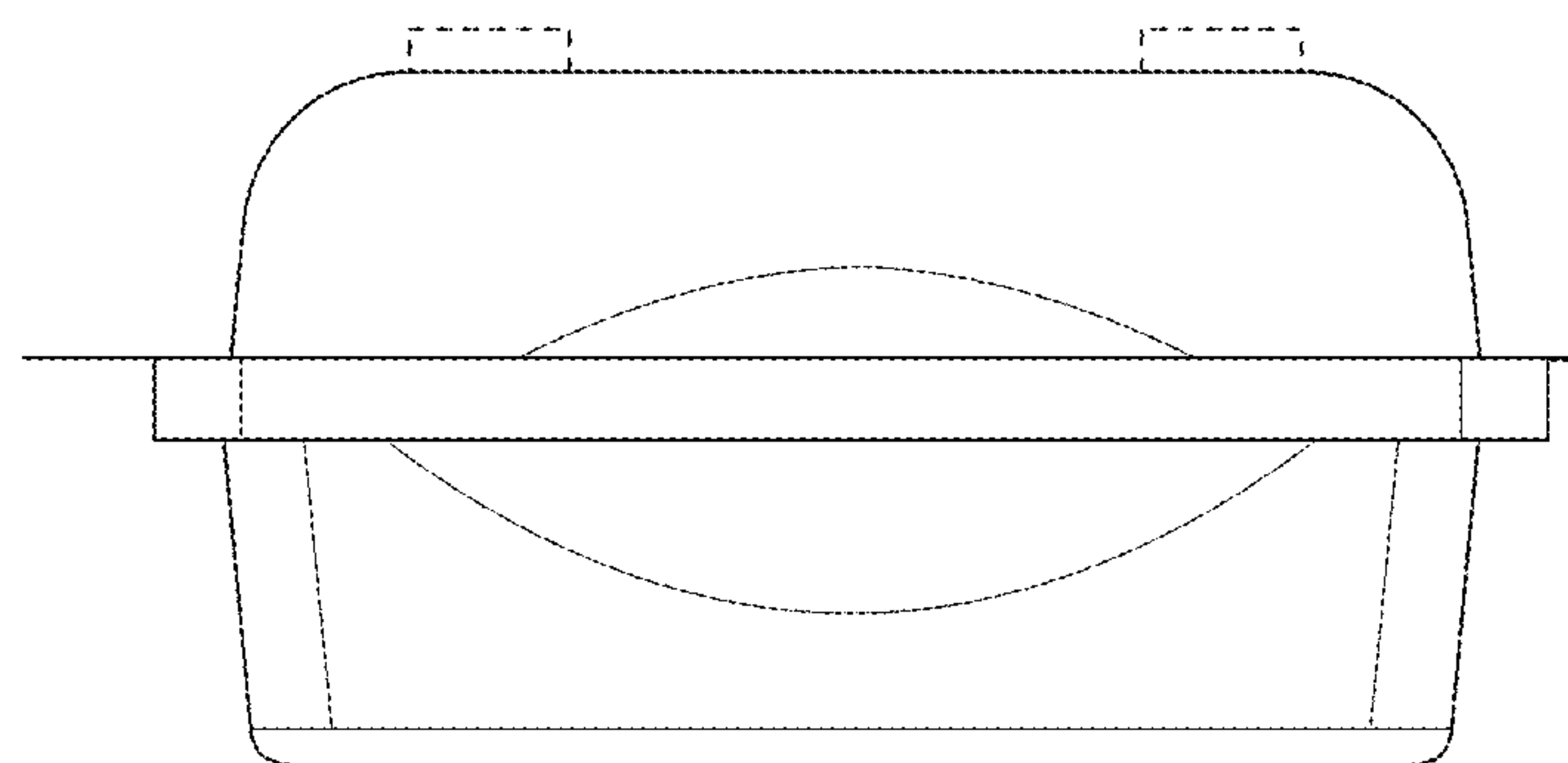


FIG. 19

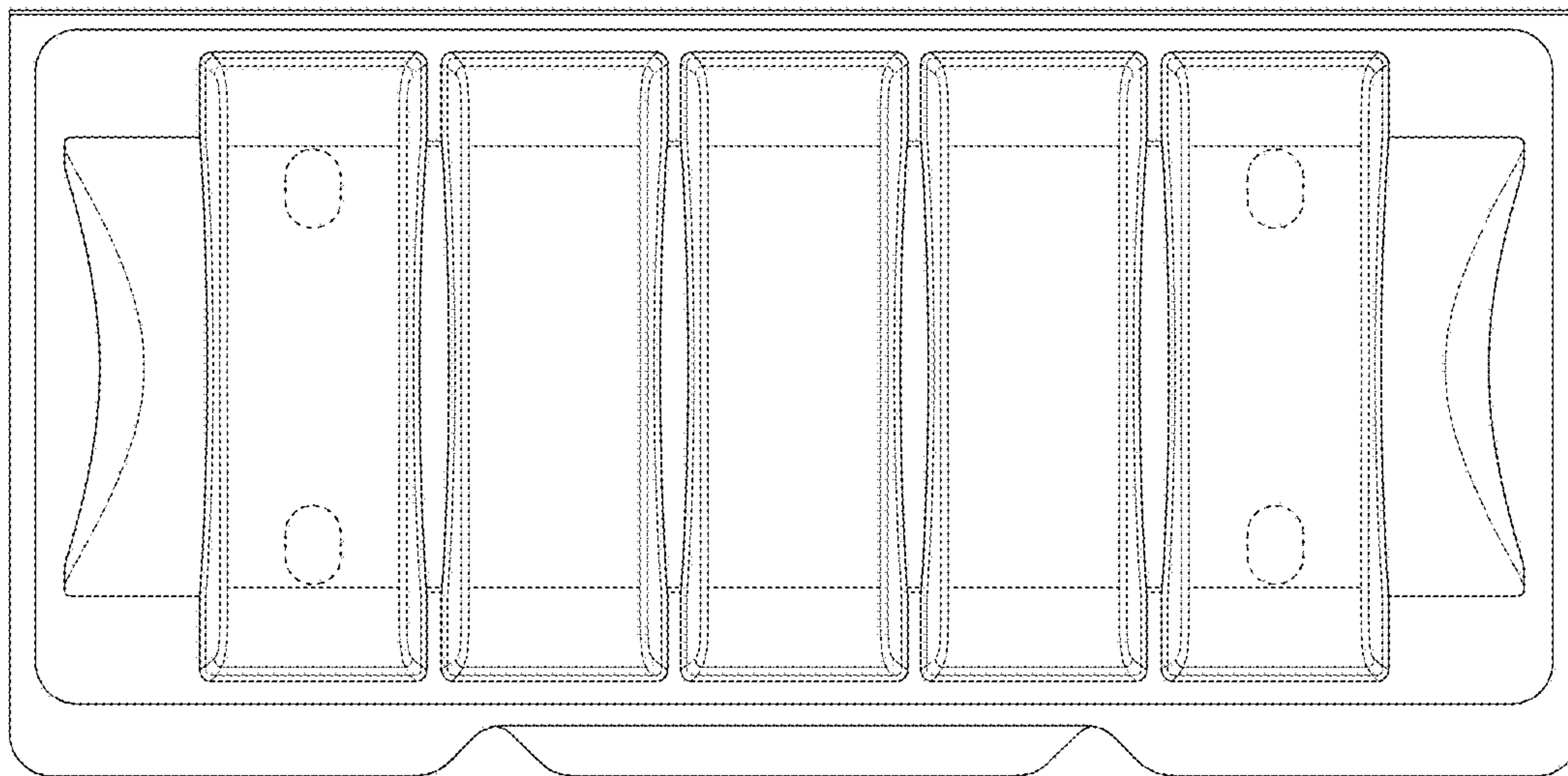


FIG. 20

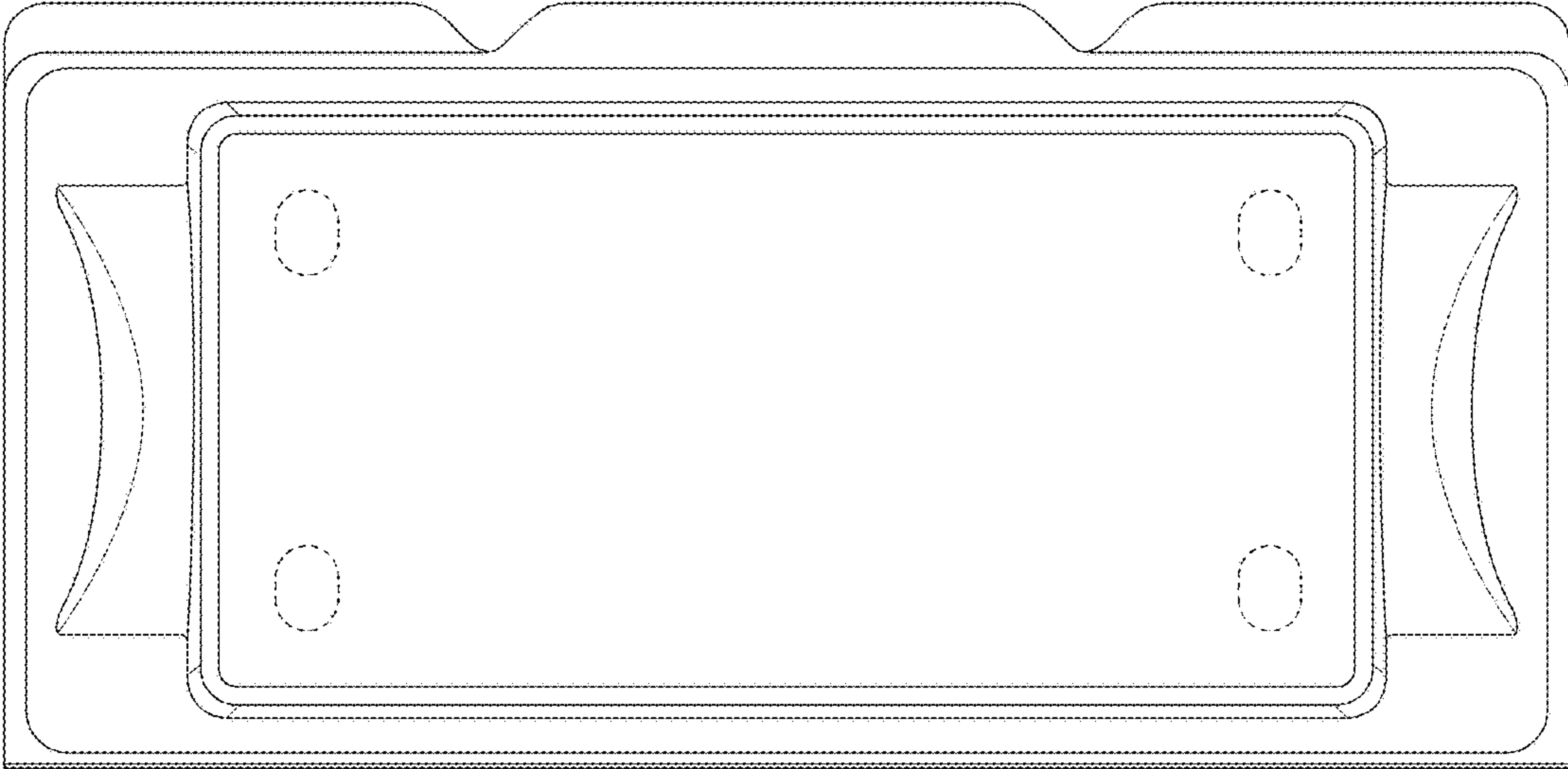


FIG. 21

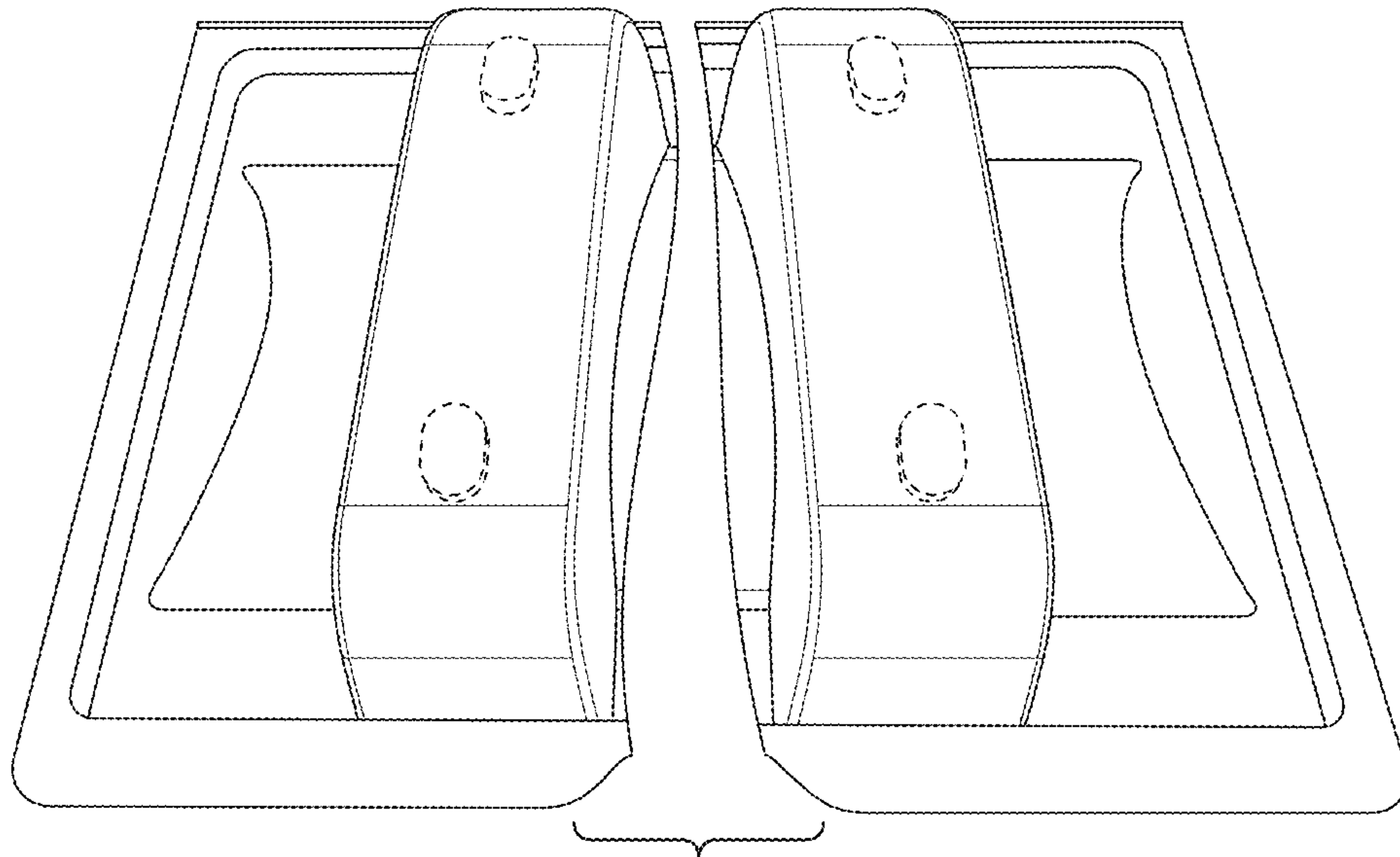


FIG. 22

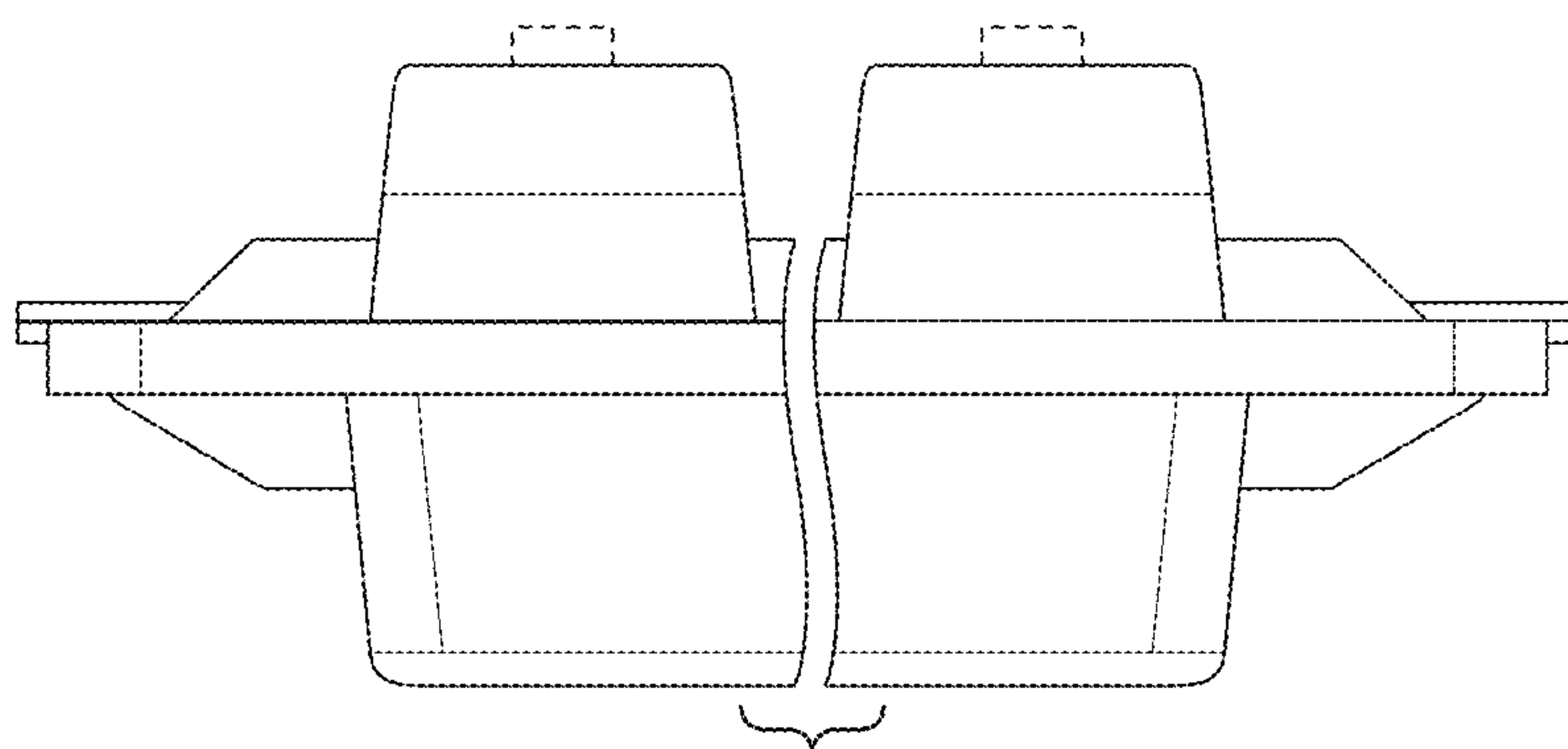


FIG. 23

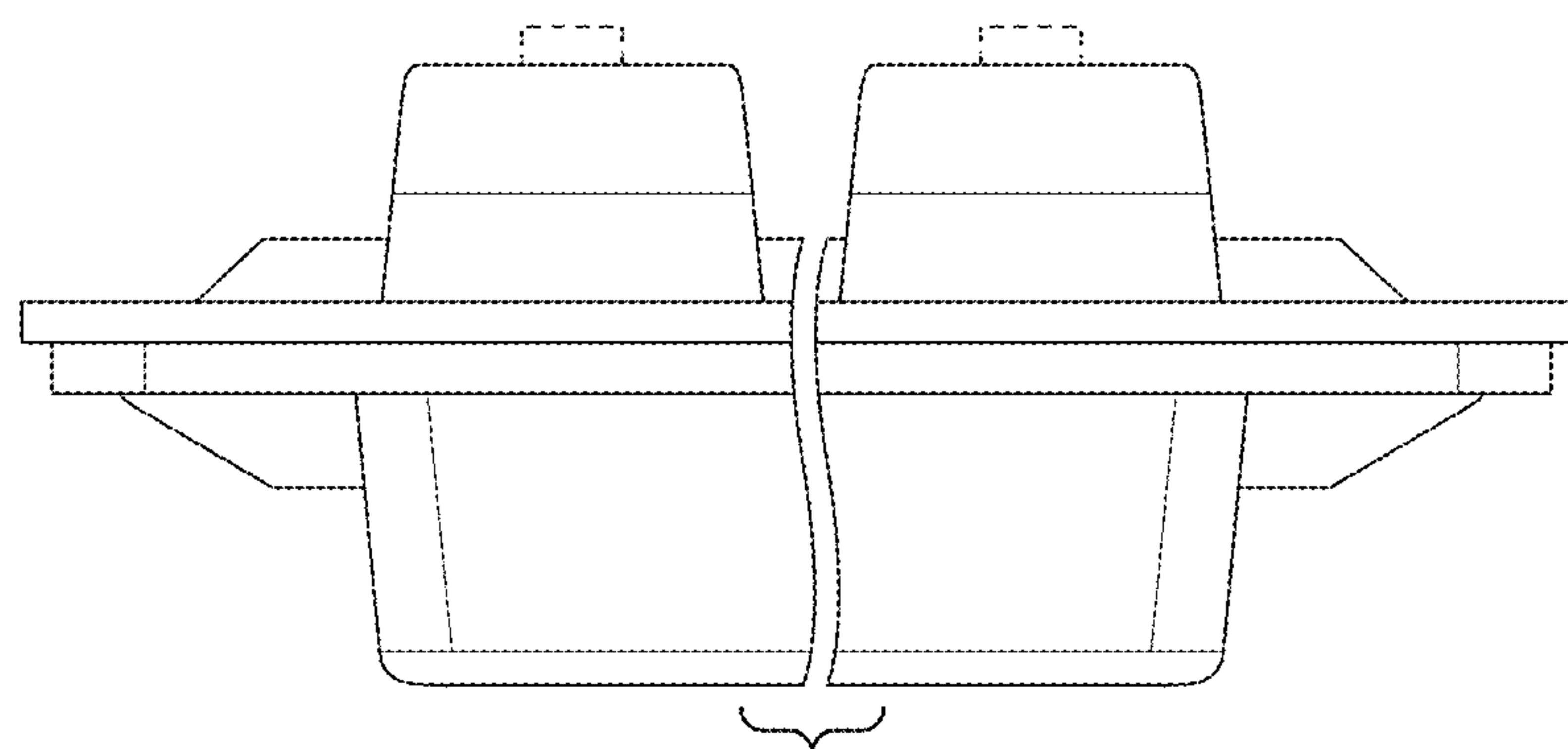


FIG. 24

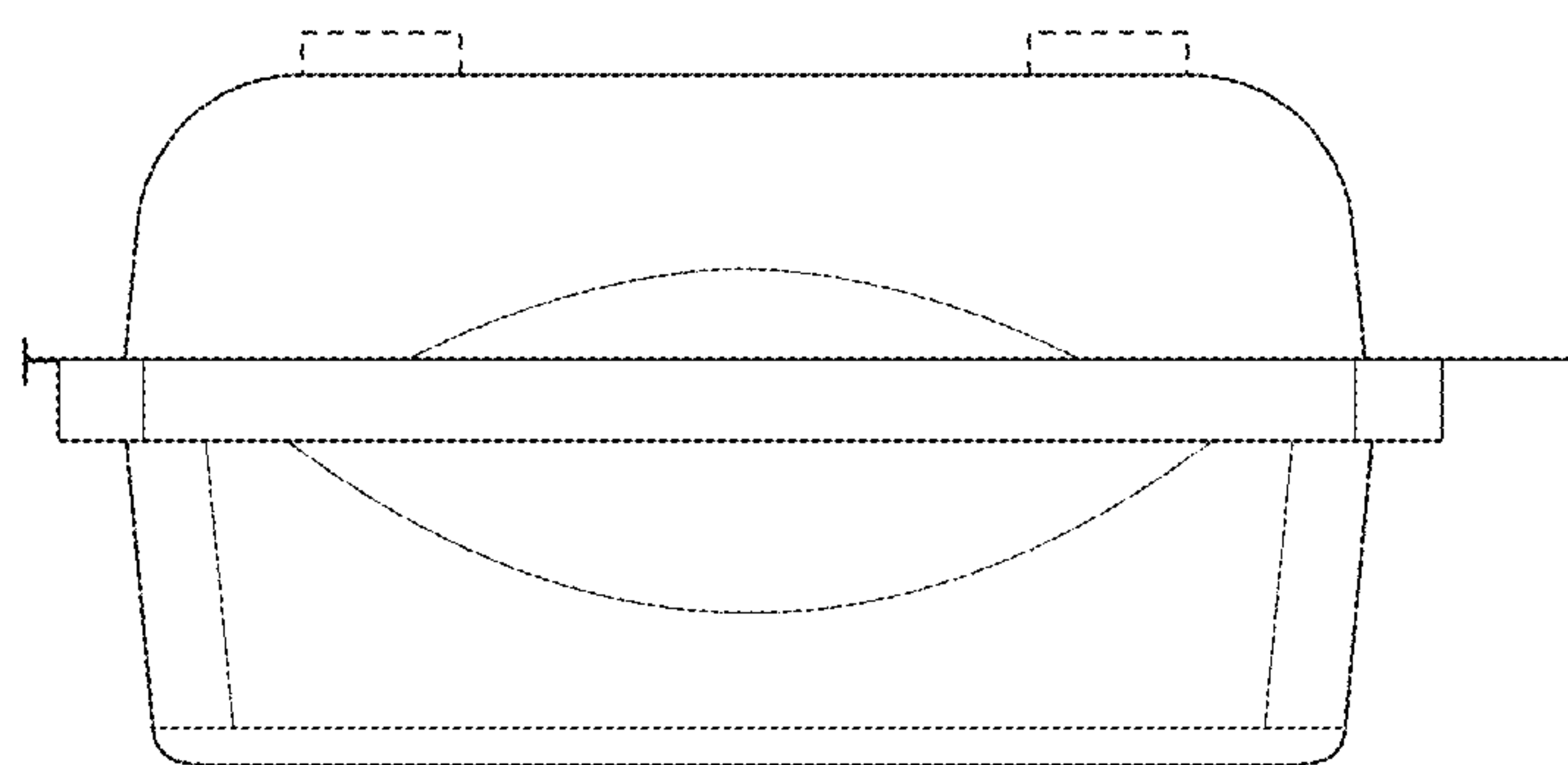


FIG. 25

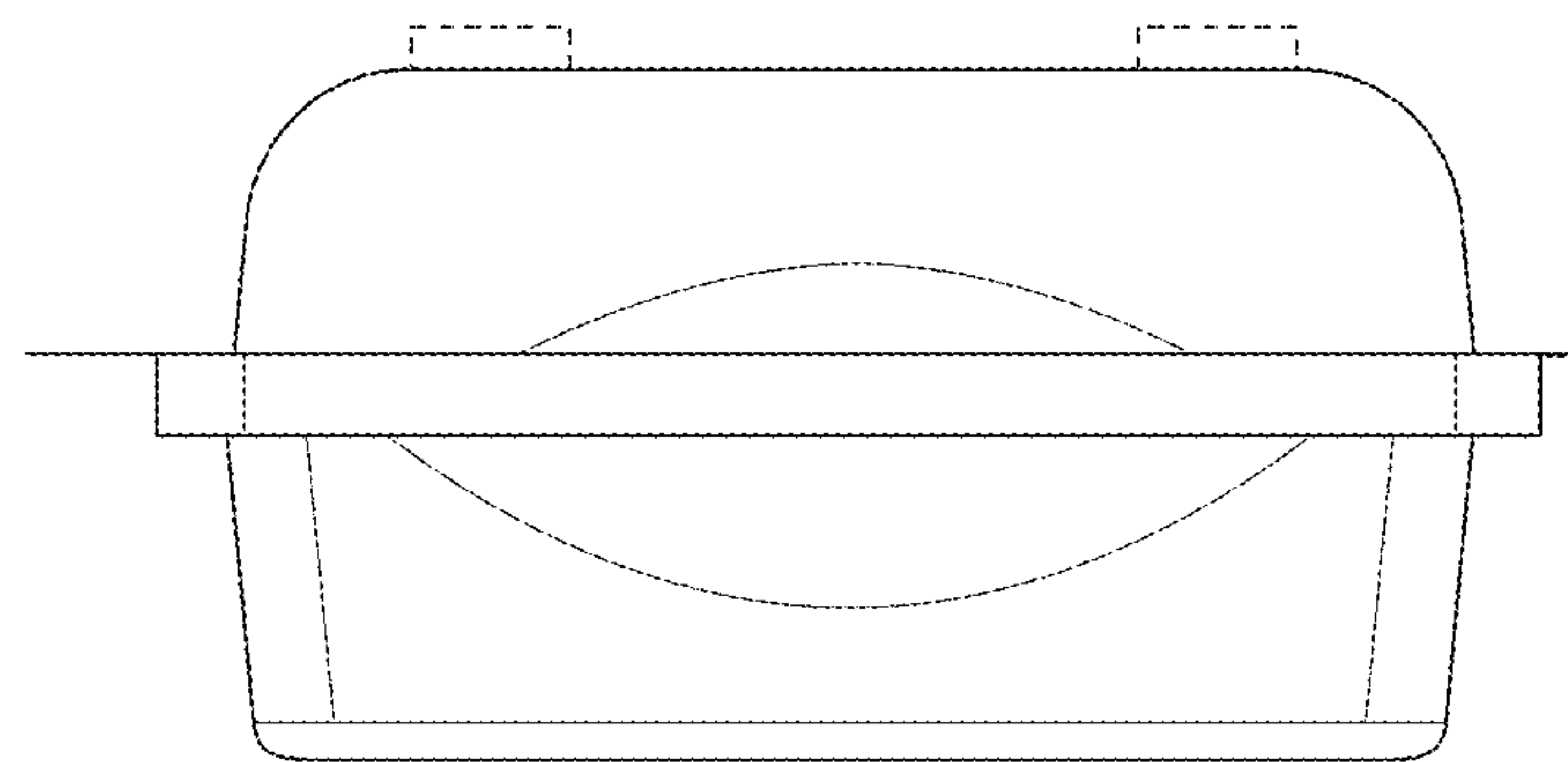


FIG. 26

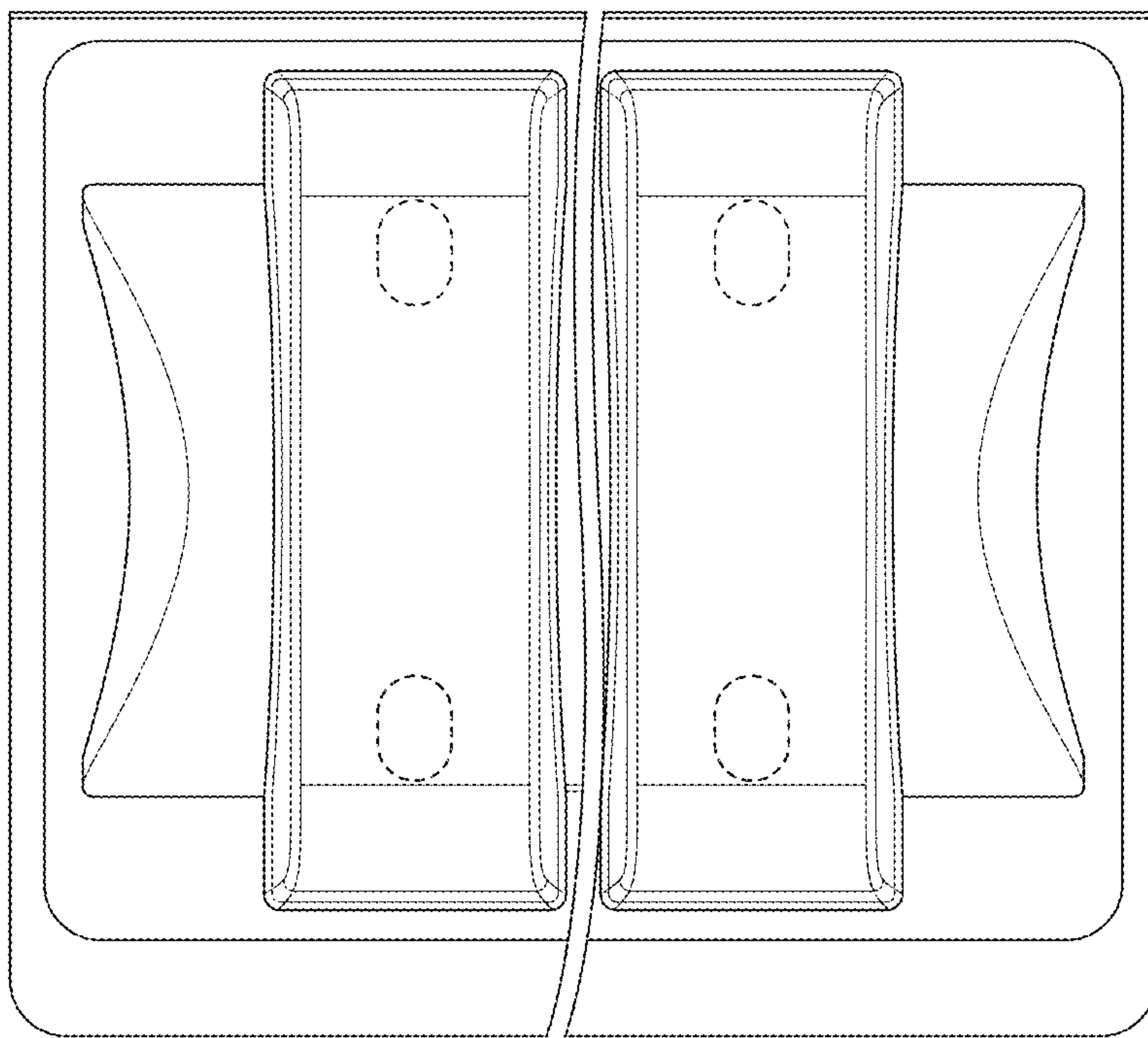


FIG. 27

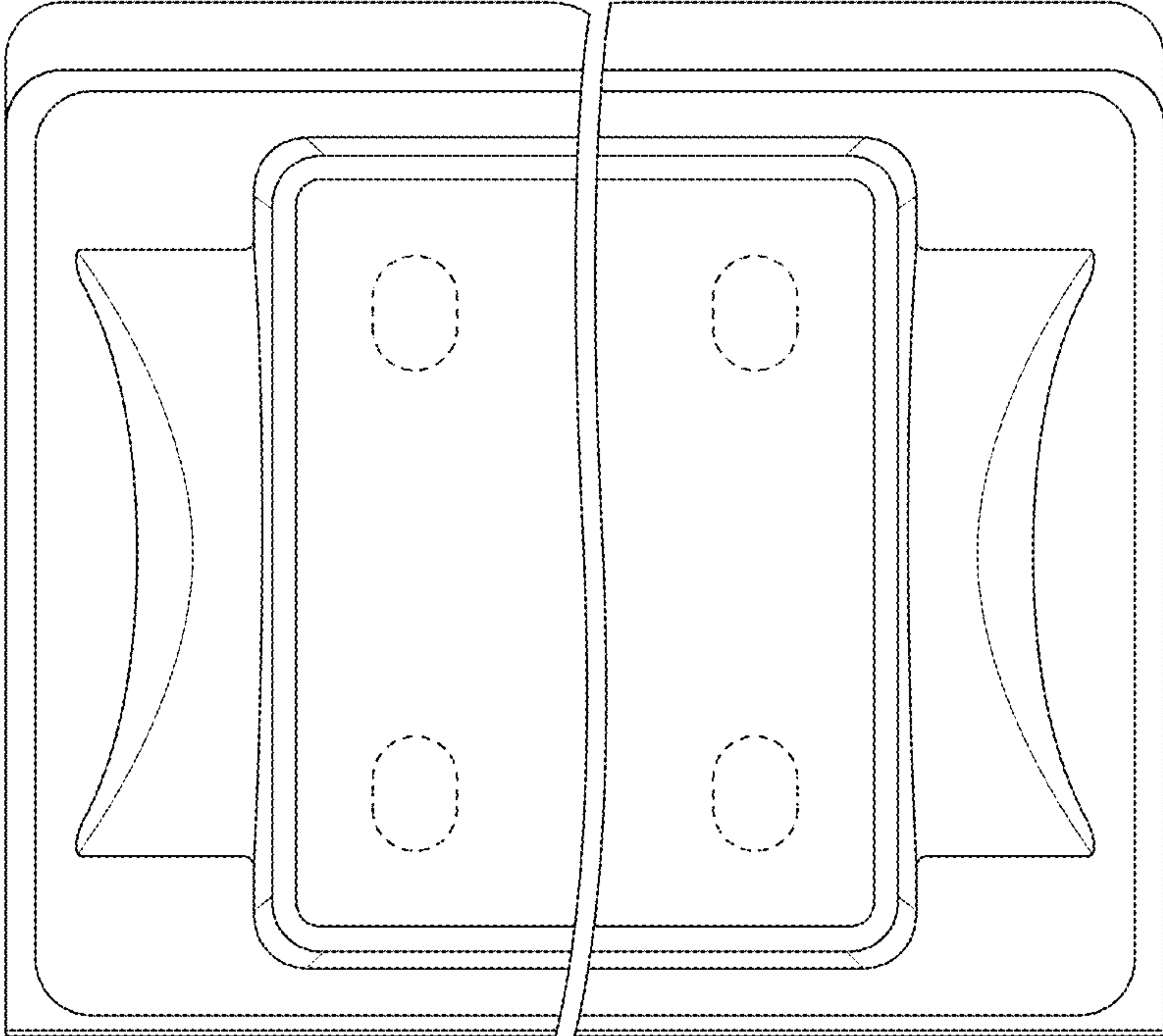


FIG. 28