



US00D801192S

(12) **United States Design Patent**
Yen et al.

(10) **Patent No.:** **US D801,192 S**
(45) **Date of Patent:** **** Oct. 31, 2017**

(54) **TRASH BAG**

DESCRIPTION

- (71) Applicant: **simplehuman, LLC**, Torrance, CA (US)
- (72) Inventors: **Kenneth Yen**, Redondo Beach, CA (US); **Kevin Paul Blasko**, Long Beach, CA (US); **Beng Wong Liu**, San Marino, CA (US)
- (73) Assignee: **simplehuman, LLC**, Torrance, CA (US)
- (**) Term: **14 Years**
- (21) Appl. No.: **29/523,451**
- (22) Filed: **Apr. 9, 2015**
- (51) **LOC (10) Cl.** **09-05**
- (52) **U.S. Cl.**
USPC **D9/706**
- (58) **Field of Classification Search**
USPC D9/702-714, 720-722, 424, 430-433, D9/414, 418, 444; 383/26, 119, 127, 33,
(Continued)

(56) **References Cited**

U.S. PATENT DOCUMENTS

- 805,452 A 11/1905 Deegan et al.
 - 2,542,413 A 2/1947 Ibsch, Jr.
- (Continued)

Primary Examiner — Abraham Bahta

(74) *Attorney, Agent, or Firm* — Knobbe, Martens, Olson & Bear, LLP

(57) **CLAIM**

The ornamental design for a trash bag, as shown and described.

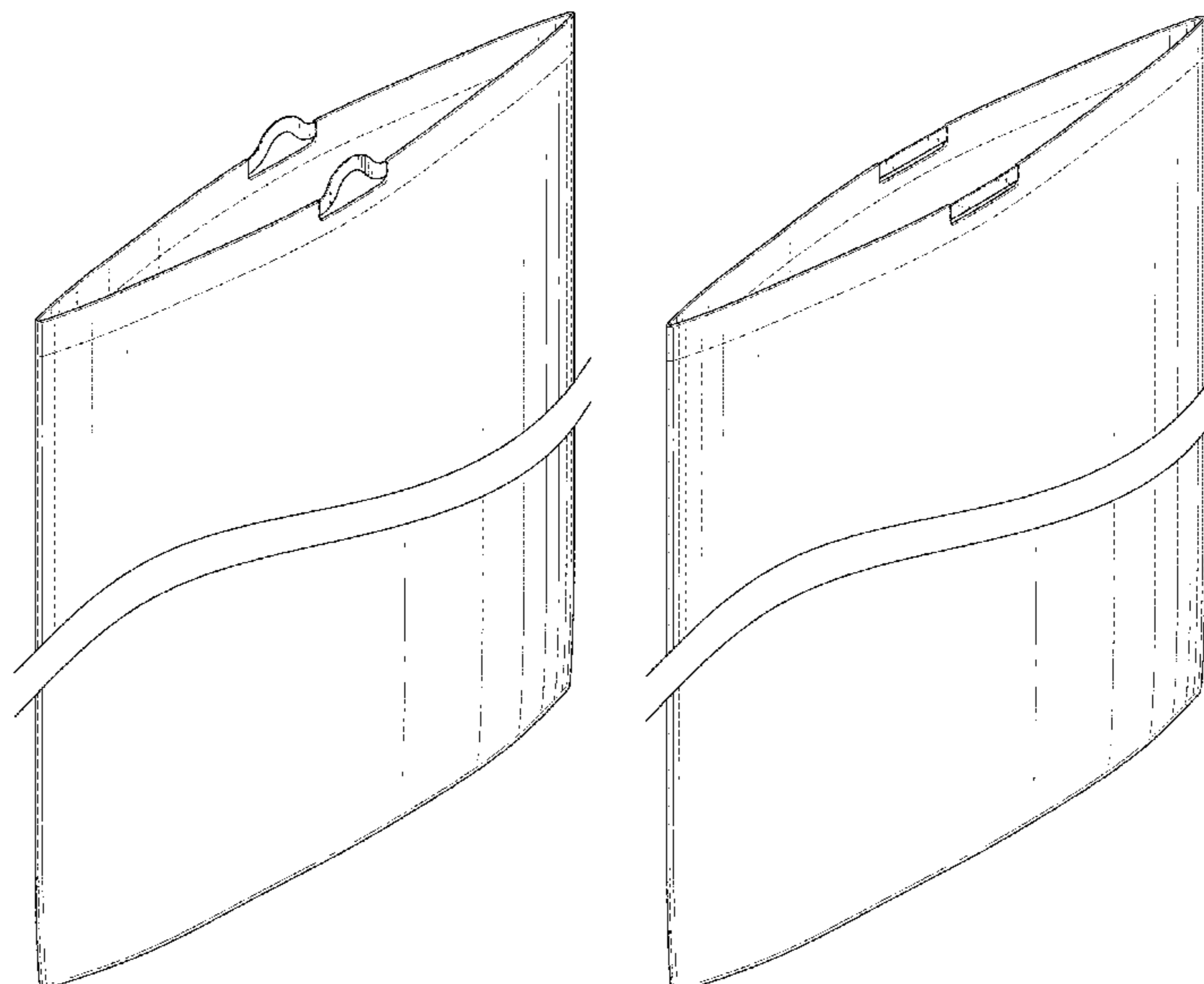
FIG. 1 is a top, front, right-side perspective view of a first embodiment of a trash bag embodying our design; FIG. 2 is a front elevation view of the embodiment of FIG. 1, the rear elevation view being a mirror image thereof; FIG. 3 is a top plan view of the embodiment of FIG. 1; FIG. 4 is a bottom plan view of the embodiment of FIG. 1; and FIG. 5 is a right-side elevation view of the embodiment of FIG. 1, the left-side elevation view being a mirror image thereof.

FIG. 6 is a top, front, right-side perspective view of a second embodiment of a trash bag embodying our design; FIG. 7 is a front elevation view of the embodiment of FIG. 6, the rear elevation view being a mirror image thereof; FIG. 8 is a top plan view of the embodiment of FIG. 6; FIG. 9 is a bottom plan view of the embodiment of FIG. 6; and FIG. 10 is a right-side elevation view of the embodiment of FIG. 6, the left-side elevation view being a mirror image thereof.

FIG. 11 is a top, front, right-side perspective view of a third embodiment of a trash bag embodying our design; FIG. 12 is a front elevation view of the embodiment of FIG. 11, the rear elevation view being a mirror image thereof; FIG. 13 is a top plan view of the embodiment of FIG. 11; FIG. 14 is a bottom plan view of the embodiment of FIG. 11; and, FIG. 15 is a right-side elevation view of the embodiment of FIG. 11, the left-side elevation view being a mirror image thereof.

Broken lines illustrate features and environment that form no part of the claimed design. Dash-dot lines illustrate borders and form no part of the claimed design. In the embodiment of FIG. 16, cross-hatching indicates portions of the trash bag that are shaded, colored, and/or otherwise ornamentally distinct from those claimed portions of the trash bag that are not cross-hatched.

1 Claim, 9 Drawing Sheets



(58) **Field of Classification Search**

USPC 383/71-75, 103; 229/87.06, 87.08, 87.01,
 229/92.1; 222/92, 107, 215; 220/495.03,
 220/495.01; D3/303, 201; 428/35.2, 79,
 428/199, 542.6; 434/162; 402/79;
 D5/57-61, 99; 281/2, 3.1, 5, 38, 51;
 283/117, 62, 74, 93, 103, 115;
 D19/1-10, 100
 CPC B65D 75/00; B65D 75/002; B65D 75/008;
 B65D 75/28; B65D 75/322; B65D 33/02;
 B65D 33/008; B65D 33/04; B65D 33/24;
 B65D 27/00; B65D 27/04; B65D 77/00;
 B65D 77/003; B65D 77/02; B65D 77/10;
 B65D 29/00; B65D 29/04

See application file for complete search history.

(56) **References Cited**

U.S. PATENT DOCUMENTS

3,013,597 A * 12/1961 Hamilton B65D 33/28
 383/6
 3,148,799 A 9/1964 Meroney
 3,543,999 A * 12/1970 Kugler B65D 31/04
 383/10
 3,927,445 A 12/1975 Pavlish
 4,417,669 A 11/1983 Knowles et al.
 4,577,778 A 3/1986 Kim
 4,715,572 A 12/1987 Robbins et al.
 4,747,701 A 5/1988 Perkins
 4,823,979 A 4/1989 Clark, Jr.
 4,842,421 A * 6/1989 Bullard B65D 33/28
 383/61.4
 4,860,916 A 8/1989 Winters
 4,869,391 A 9/1989 Farrington
 4,880,316 A * 11/1989 Belmont B65D 33/28
 383/75
 4,978,231 A 12/1990 Ling
 5,006,380 A * 4/1991 Fraser B32B 27/32
 383/72
 5,028,022 A 7/1991 Metcalf
 D342,017 S 12/1993 Boyle
 D351,100 S 10/1994 Bradley
 5,363,980 A 11/1994 Mulcahy
 D353,696 S 12/1994 Spencer
 5,478,152 A 12/1995 Bogle
 5,556,063 A 9/1996 Boyd
 D385,487 S 10/1997 Gonthier

D386,867 S 11/1997 Clark
 5,732,845 A 3/1998 Armaly, Jr.
 5,803,299 A 9/1998 Sealy, Jr.
 5,980,109 A 11/1999 Wan
 D420,899 S * 2/2000 Jubar D9/705
 6,056,147 A 5/2000 Jarman
 6,102,239 A 8/2000 Wien
 6,131,861 A 10/2000 Fortier, Jr. et al.
 D434,977 S 12/2000 Young, III
 6,164,824 A 12/2000 McGlew et al.
 6,537,408 B1 3/2003 Rossiter
 6,679,398 B1 1/2004 O'Brien
 6,728,996 B2 5/2004 Roscow
 6,808,073 B2 10/2004 Cuisinier
 6,893,158 B1 5/2005 Tipp et al.
 6,921,202 B2 7/2005 Raterman
 7,055,224 B2 6/2006 Bathey
 7,080,750 B2 7/2006 Wein et al.
 7,159,734 B1 1/2007 O'Brien
 D561,604 S * 2/2008 Galor D9/702
 D584,144 S 1/2009 Mallory
 D596,494 S 7/2009 Hendershot et al.
 D609,581 S 2/2010 Doyal
 D610,023 S 2/2010 Morlet et al.
 D623,075 S * 9/2010 Blythe D9/709
 D627,664 S * 11/2010 Yang D9/703
 D635,467 S * 4/2011 Kolovich D9/705
 7,931,150 B2 4/2011 Morand
 7,958,704 B2 6/2011 Stravitz et al.
 8,182,564 B2 5/2012 Howard
 8,240,621 B1 8/2012 Singh
 8,523,439 B2 9/2013 Ross
 D691,490 S 10/2013 Wilcoxon et al.
 D727,746 S * 4/2015 Hoying D9/703
 D743,808 S * 11/2015 Bertrand D9/703
 2002/0096523 A1 7/2002 Pyles
 2003/0089719 A1 5/2003 Berger
 2004/0066987 A1 4/2004 O'Neill
 2004/0134923 A1 7/2004 Aquino et al.
 2005/0017010 A1 1/2005 Siegel et al.
 2005/0056648 A1 3/2005 Wien et al.
 2005/0061819 A1 3/2005 Cheng
 2007/0045326 A1 3/2007 Tramontina et al.
 2007/0235455 A1 10/2007 Goldberg
 2007/0235456 A1 10/2007 Tamez
 2007/0272694 A1 11/2007 May et al.
 2008/0000911 A1 1/2008 Bailey
 2008/0121640 A1 5/2008 Chomik et al.
 2008/0179330 A1 7/2008 Brooks et al.

* cited by examiner

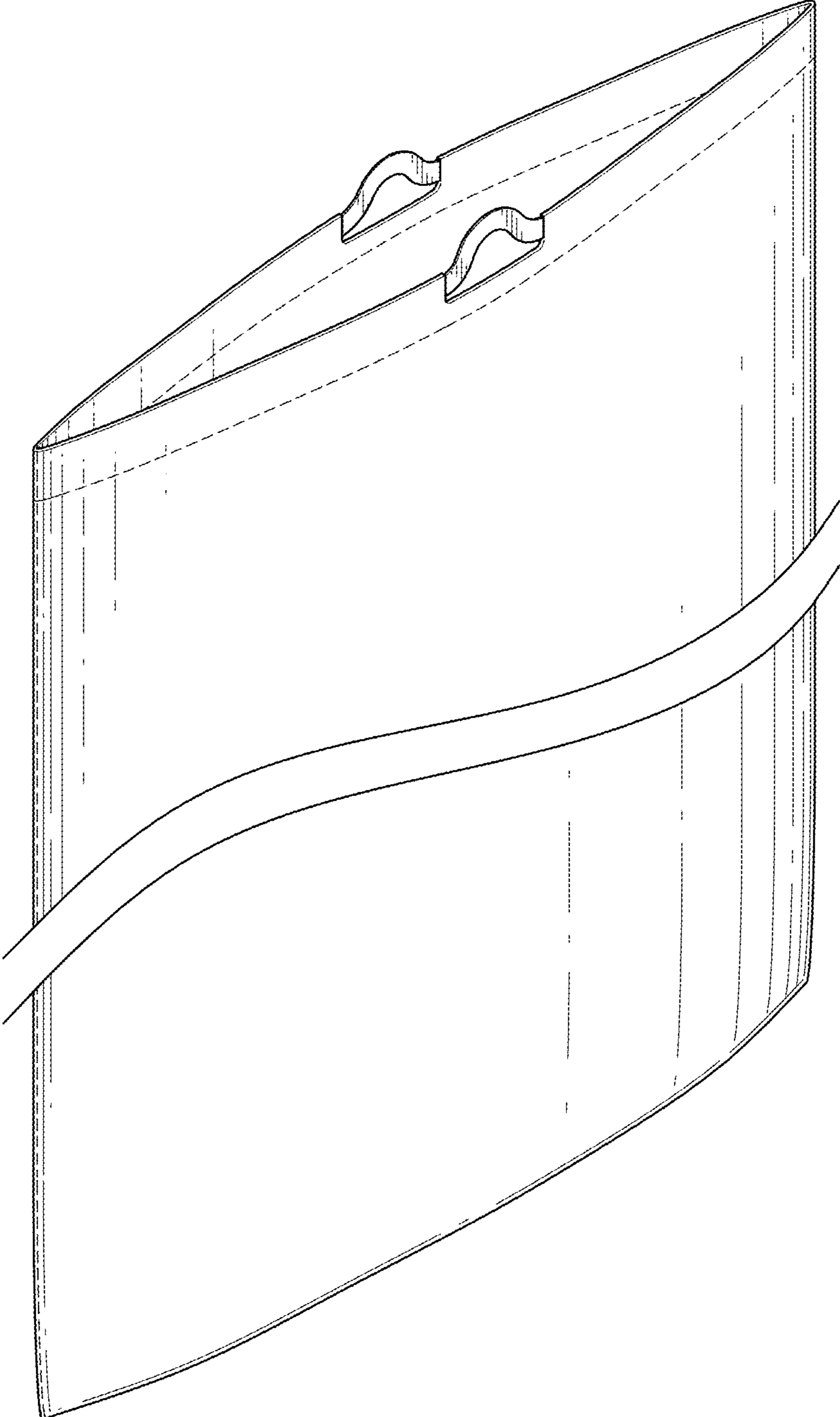


FIG. 1

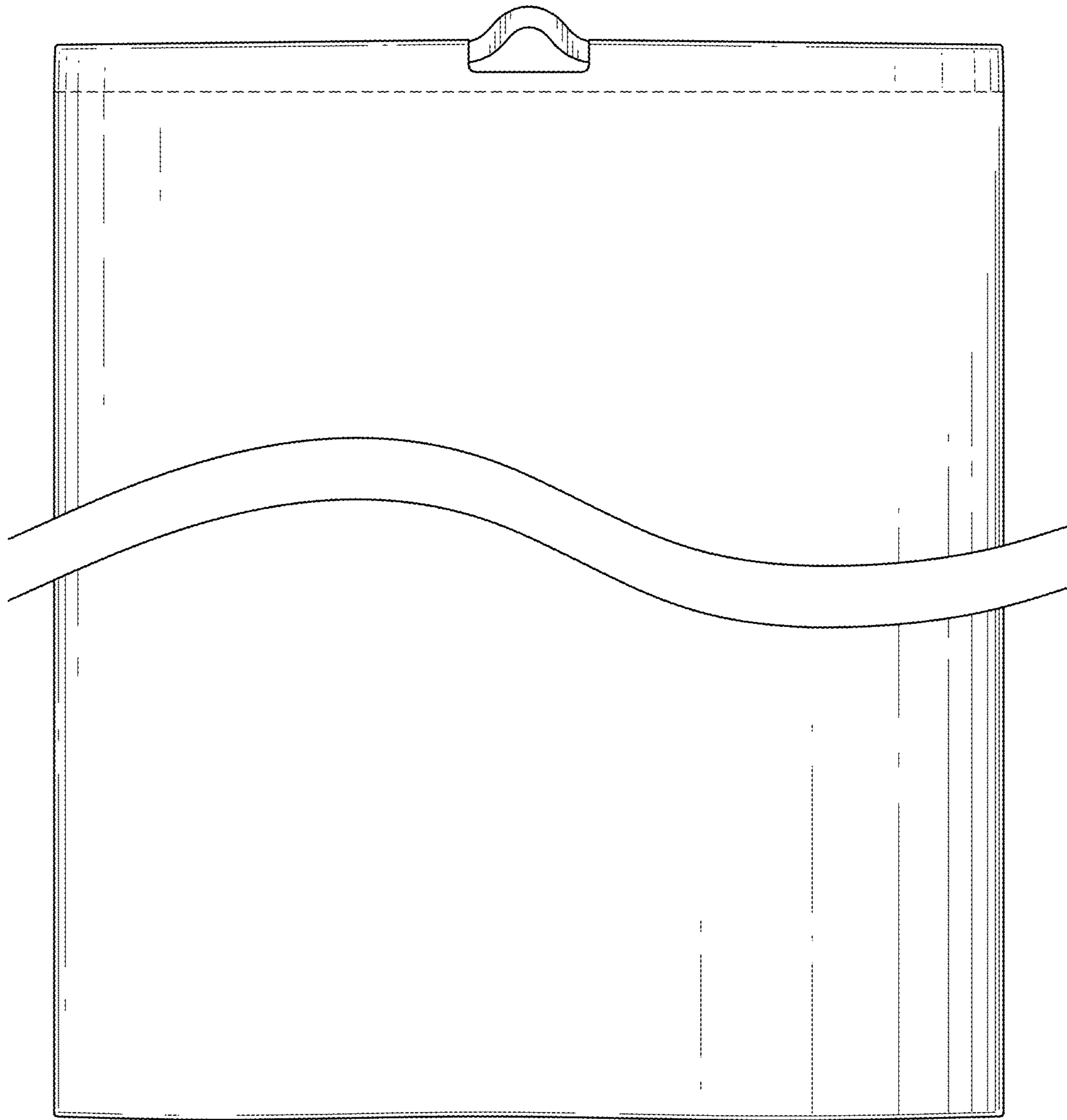


FIG. 2

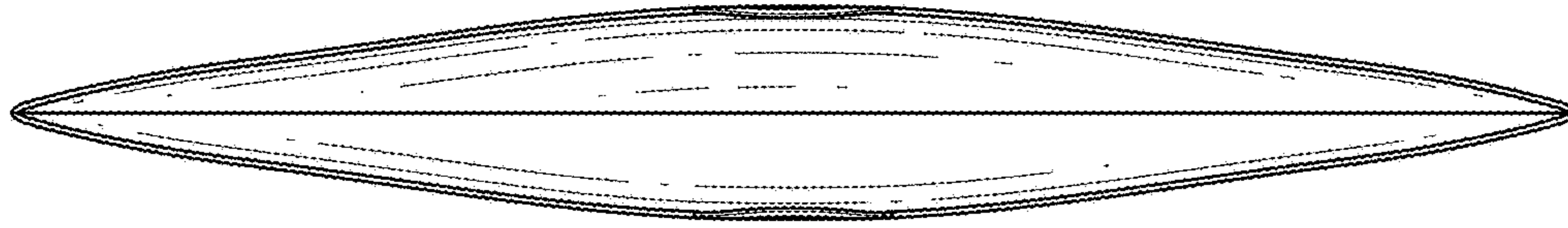


FIG. 3



FIG. 4

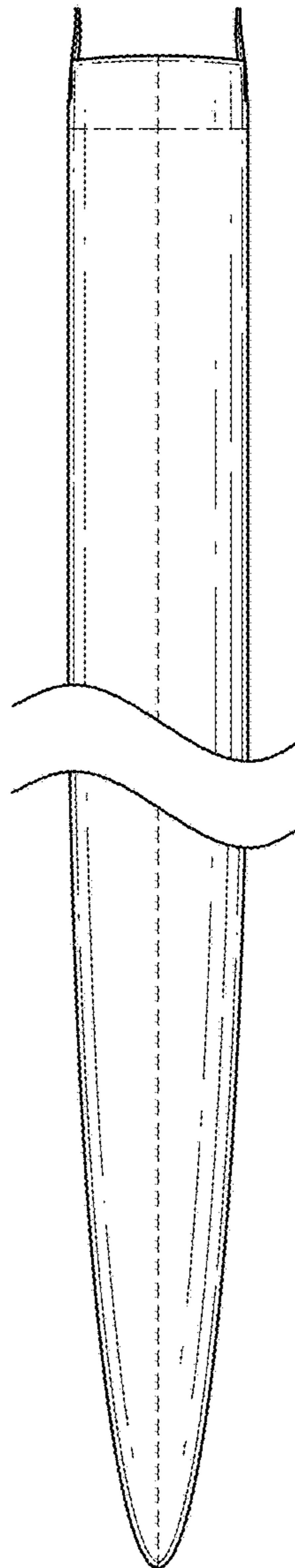


FIG. 5

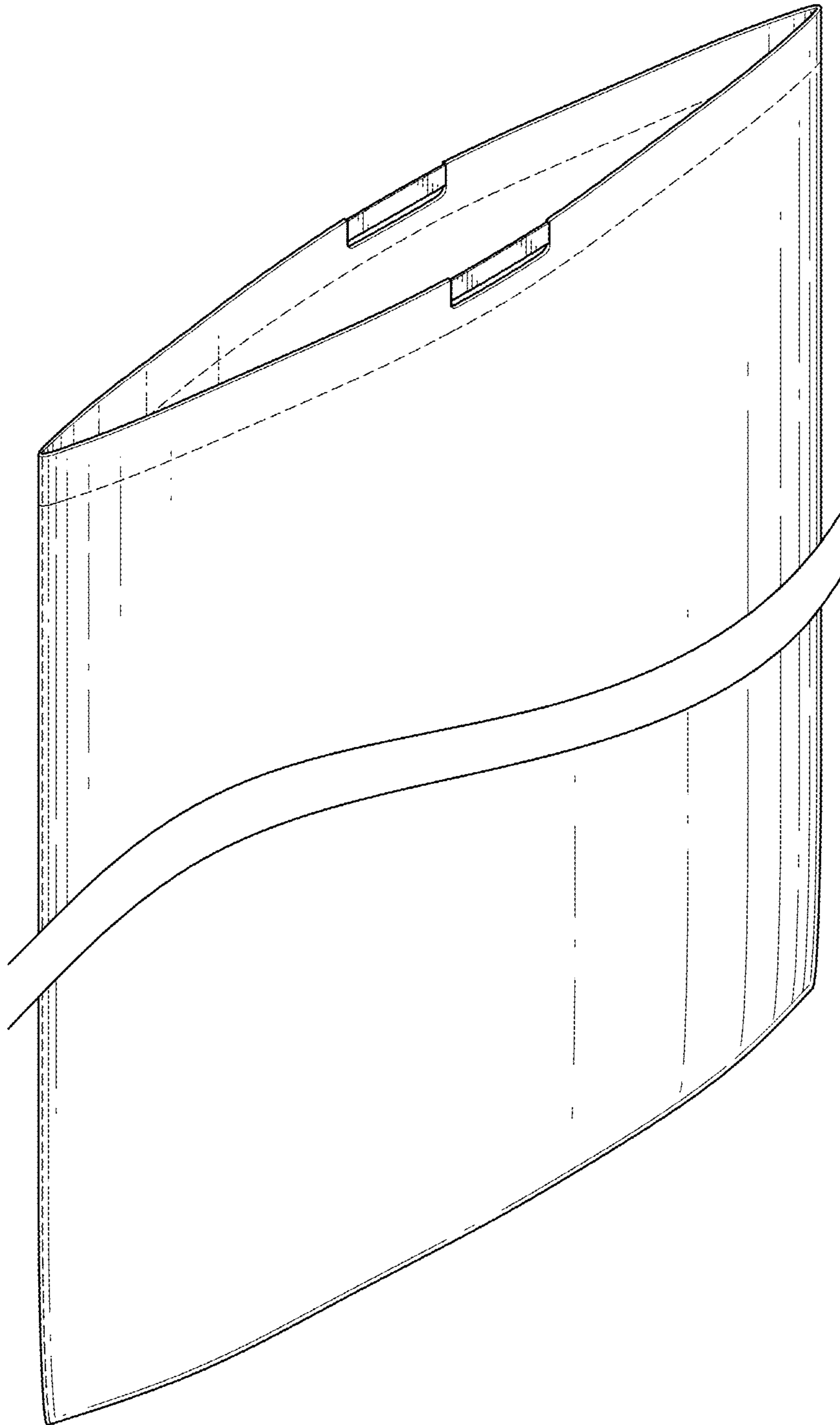


FIG. 6

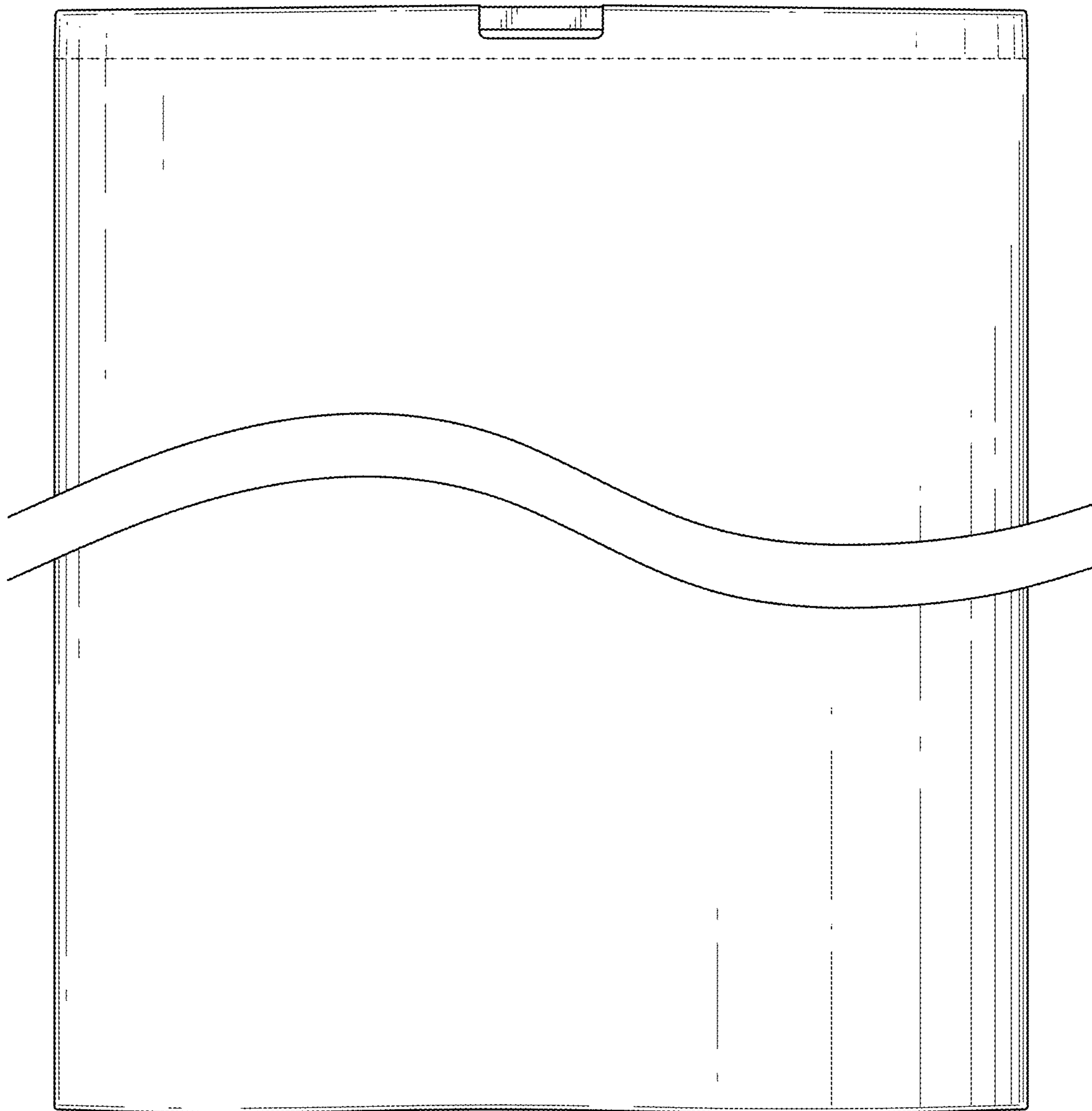


FIG. 7

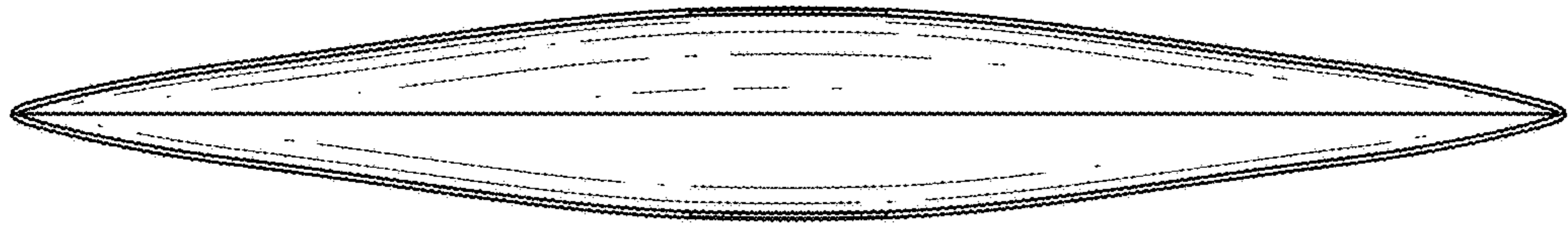


FIG. 8



FIG. 9

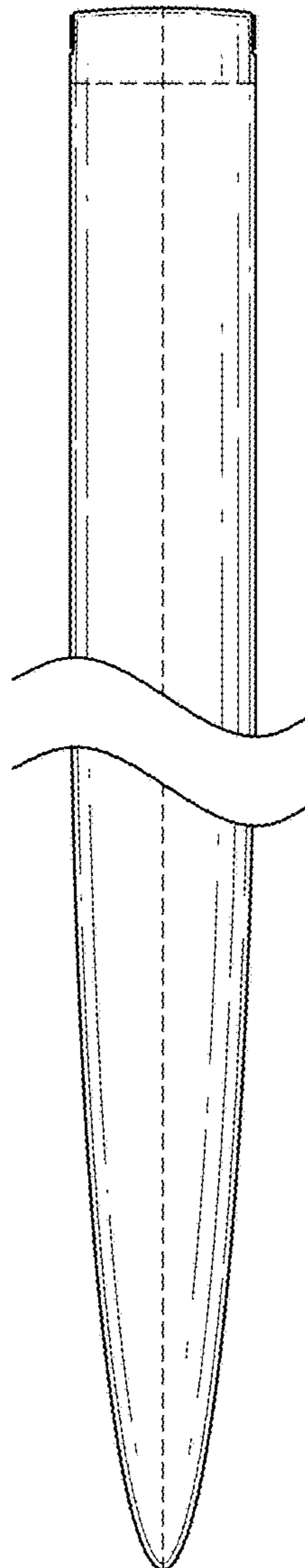


FIG. 10

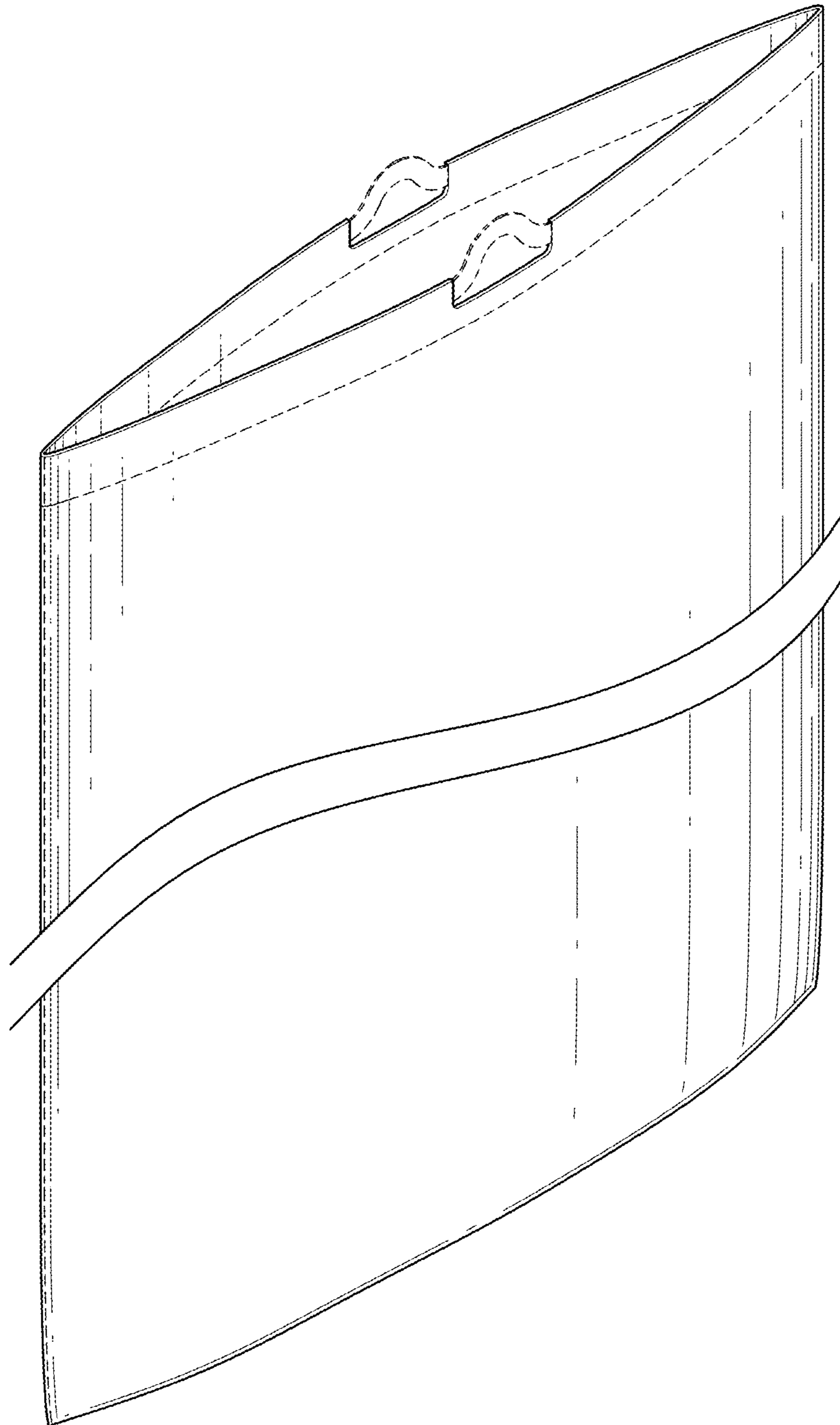


FIG. 11

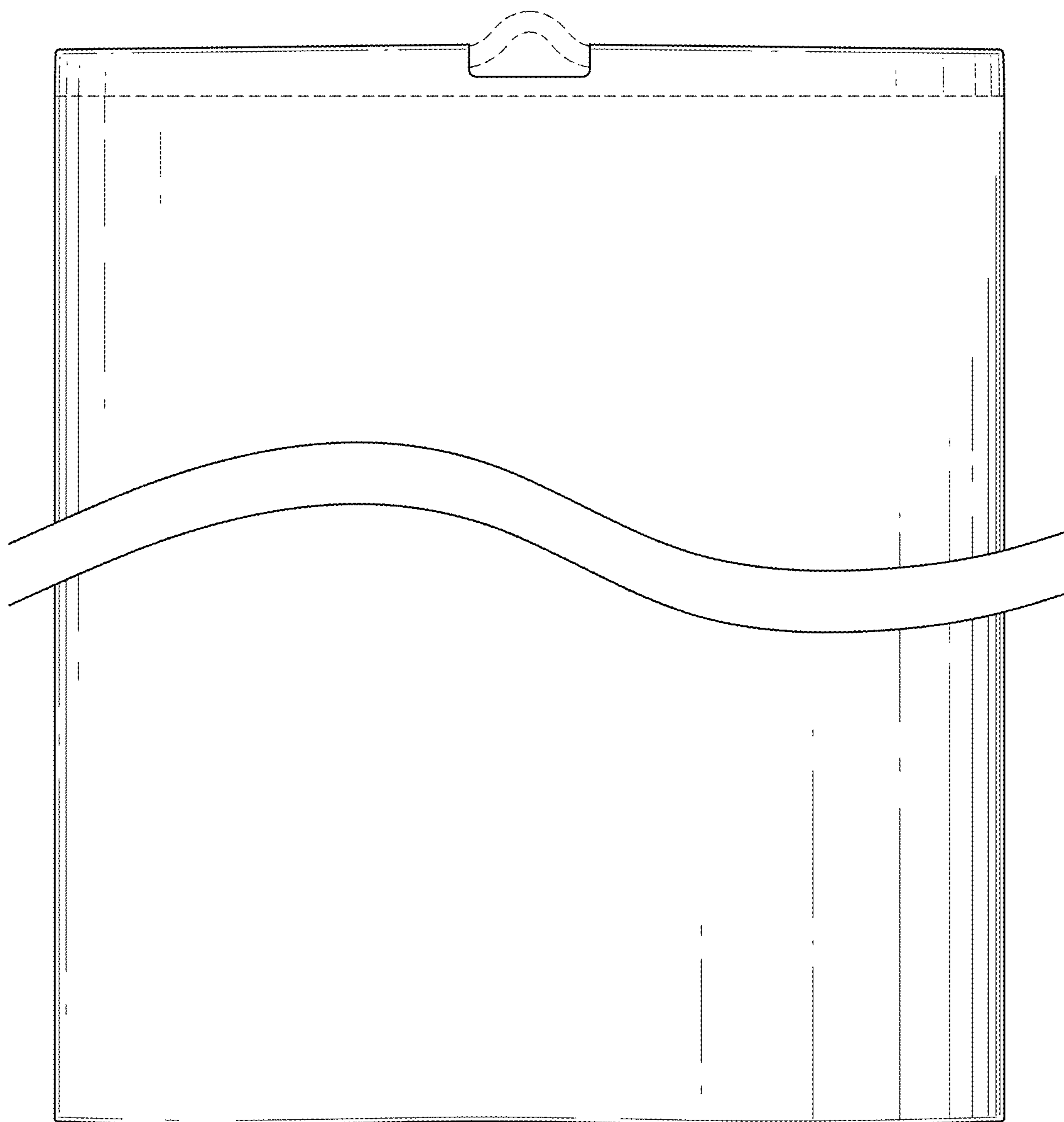


FIG. 12

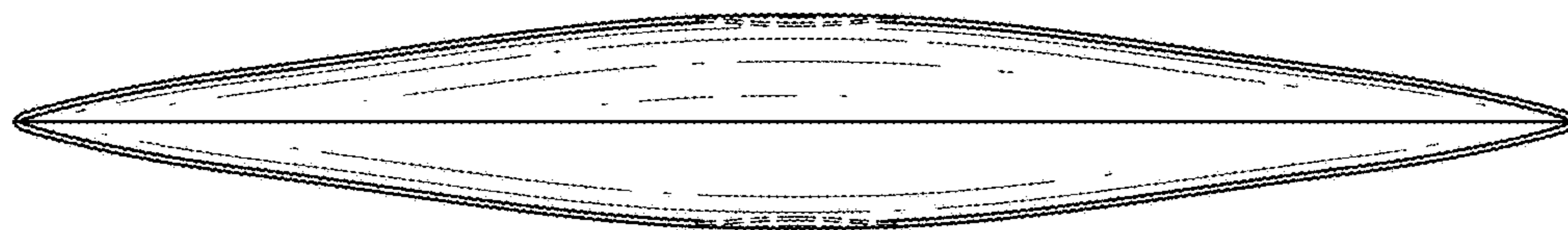


FIG. 13



FIG. 14

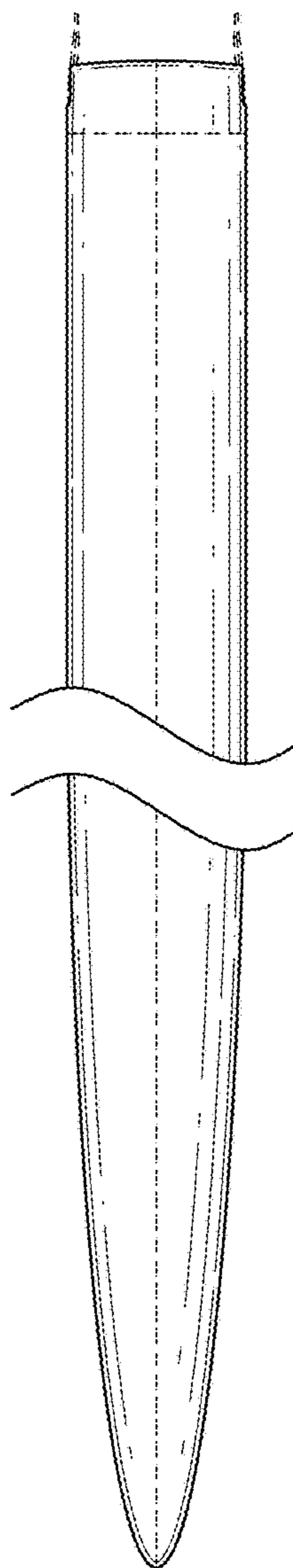


FIG. 15