



US00D801191S

(12) **United States Design Patent**
Unger et al.

(10) **Patent No.:** **US D801,191 S**
(45) **Date of Patent:** **** Oct. 31, 2017**

(54) **GIFT BAG WITH ENVELOPE-SHAPED POCKET**

(71) Applicant: **HALLMARK CARDS, INCORPORATED**, Kansas City, MO (US)

(72) Inventors: **Carly Nichole Unger**, Kansas City, MO (US); **Rayane Cook**, Leneza, KS (US)

(73) Assignee: **Hallmark Cards, Incorporated**, Kansas City, MO (US)

(**) Term: **15 Years**

(21) Appl. No.: **29/562,762**

(22) Filed: **Apr. 28, 2016**

(51) **LOC (10) Cl.** **09-05**

(52) **U.S. Cl.**
USPC **D9/703; D19/3**

(58) **Field of Classification Search**
USPC D9/702-714, 430-434, 423, 499;
D3/303, 202, 205, 221, 226, 246, 240;
(Continued)

(56) **References Cited**

U.S. PATENT DOCUMENTS

D119,449 S * 3/1940 Davis 283/116
D314,790 S * 2/1991 Hager D19/3
(Continued)

Primary Examiner — Abraham Bahta

(74) *Attorney, Agent, or Firm* — Shook Hardy & Bacon, LLP

(57) **CLAIM**

The ornamental design for a gift bag with envelope-shaped pocket, as shown and described.

DESCRIPTION

FIG. 1 is a top perspective view of a first embodiment of a gift bag with envelope-shaped pocket of the present invention;

FIG. 2 is a front elevation view thereof taken along the line 2-2 of FIG. 1 and viewed in the direction of the arrows;

FIG. 3 is a top plan view thereof taken along the line 3-3 of FIG. 2 and viewed in the direction of the arrows; and

FIG. 4 is a bottom plan view thereof taken along the line 4-4 of FIG. 2 and viewed in the direction of the arrows;

FIG. 5 is a top perspective view of a second embodiment of a gift bag with envelope-shaped pocket of the present invention;

FIG. 6 is a front elevation view thereof taken along the line 6-6 of FIG. 5 and viewed in the direction of the arrows;

FIG. 7 is a top plan view thereof taken along the line 7-7 of FIG. 6 and viewed in the direction of the arrows; and

FIG. 8 is a bottom plan view thereof taken along the line 8-8 of FIG. 6 and viewed in the direction of the arrows;

FIG. 9 is a top perspective view of a third embodiment of a gift bag with envelope-shaped pocket of the present invention;

FIG. 10 is a front elevation view thereof taken along the line 10-10 of FIG. 9 and viewed in the direction of the arrows;

FIG. 11 is a top plan view thereof taken along the line 11-11 of FIG. 10 and viewed in the direction of the arrows; and

FIG. 12 is a bottom plan view thereof taken along the line 12-12 of FIG. 10 and viewed in the direction of the arrows;

FIG. 13 is a top perspective view of a fourth embodiment of a gift bag with envelope-shaped pocket of the present invention;

FIG. 14 is a front elevation view thereof taken along the line 14-14 of FIG. 13 and viewed in the direction of the arrows;

FIG. 15 is a top plan view thereof taken along the line 15-15 of FIG. 14 and viewed in the direction of the arrows; and

FIG. 16 is a bottom plan view thereof taken along the line 16-16 of FIG. 14 and viewed in the direction of the arrows;

FIG. 17 is a top perspective view of a fifth embodiment of a gift bag with envelope-shaped pocket of the present invention;

FIG. 18 is a front elevation view thereof taken along the line 18-18 of FIG. 17 and viewed in the direction of the arrows;

FIG. 19 is a top plan view thereof taken along the line 19-19 of FIG. 18 and viewed in the direction of the arrows; and

FIG. 20 is a bottom plan view thereof taken along the line 20-20 of FIG. 18 and viewed in the direction of the arrows;

(Continued)

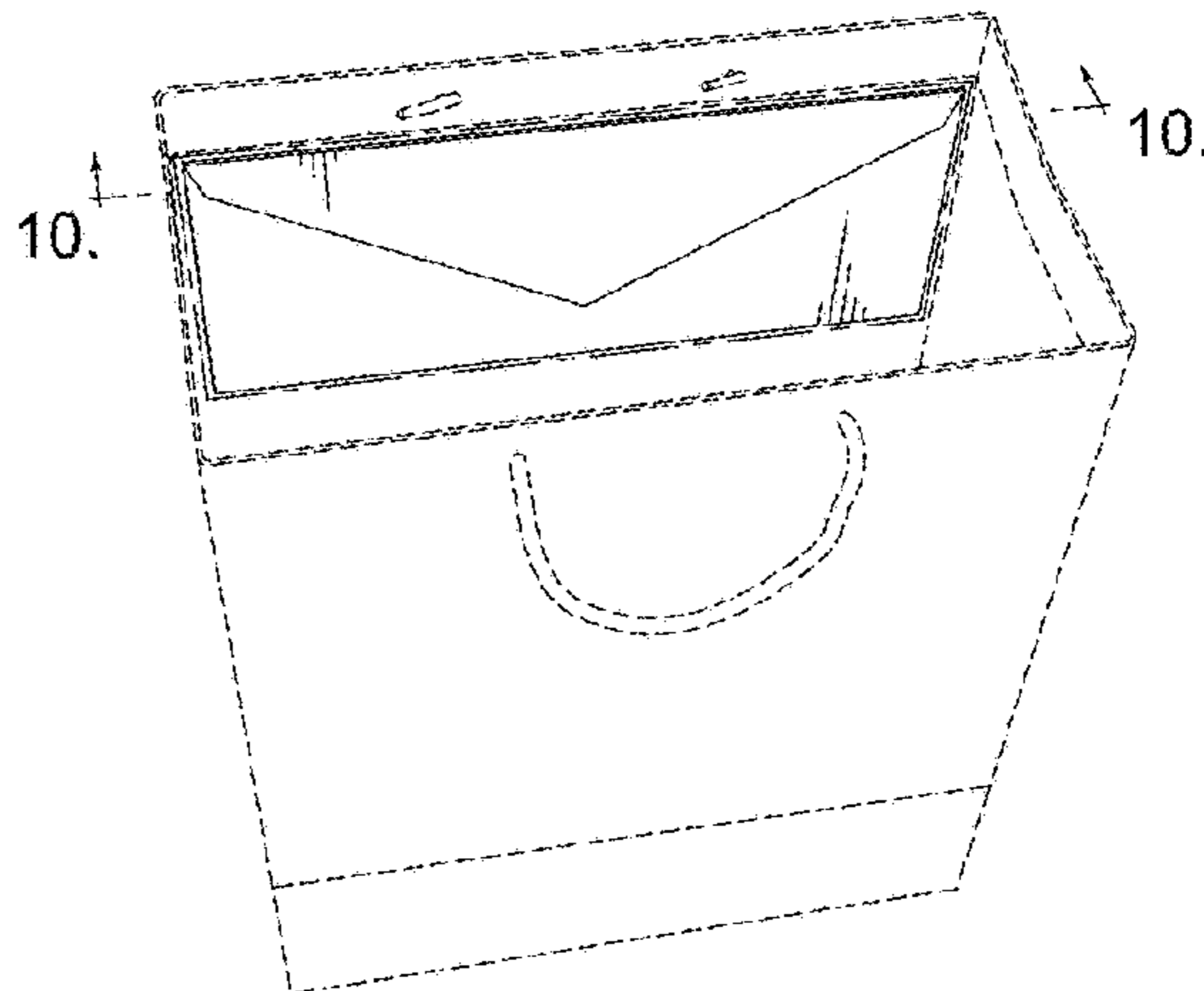
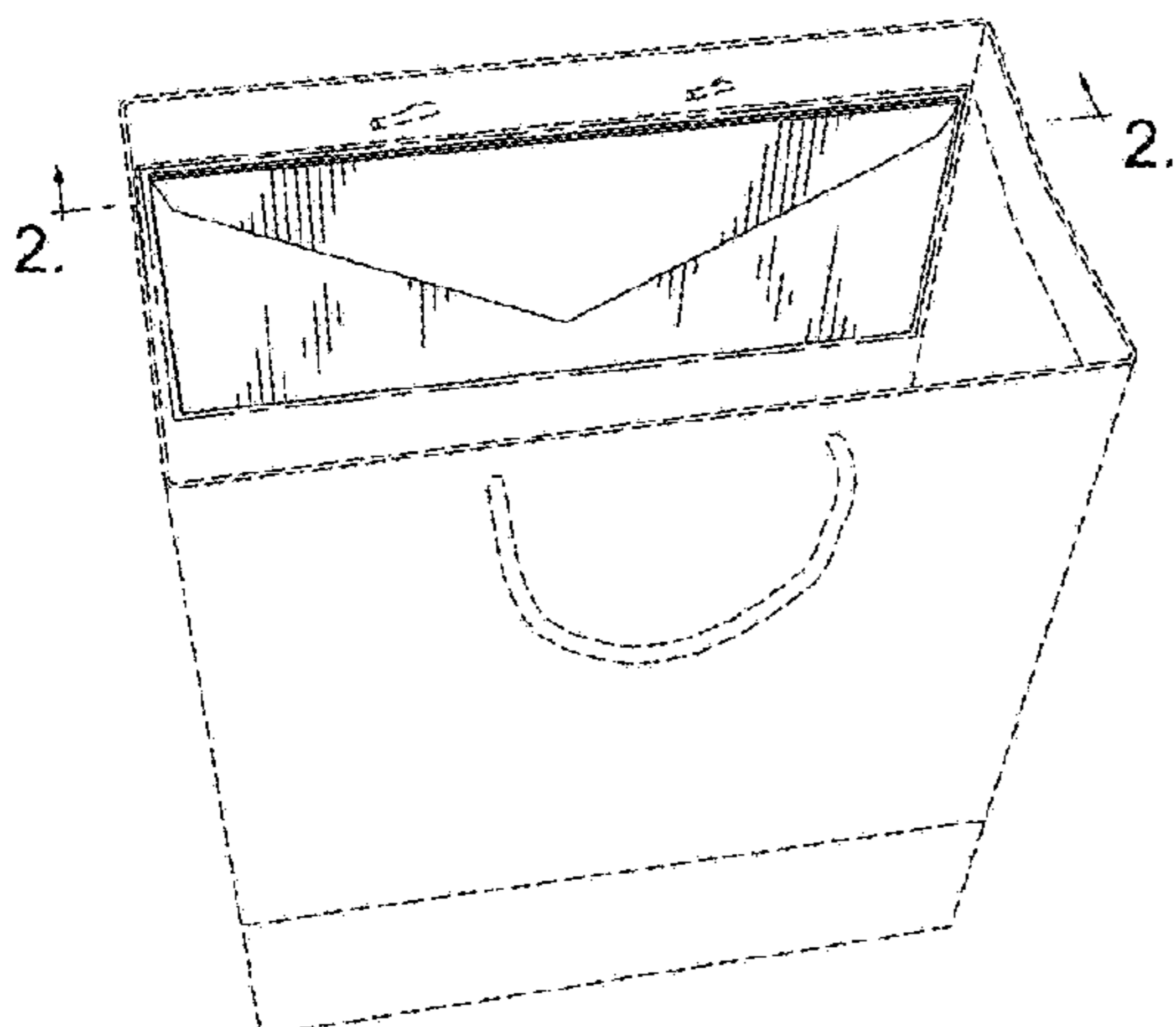


FIG. 21 is a top perspective view of a sixth embodiment of a gift bag with envelope-shaped pocket of the present invention;

FIG. 22 is a front elevation view thereof taken along the line 22-22 of FIG. 21 and viewed in the direction of the arrows;

FIG. 23 is a top plan view thereof taken along the line 23-23 of FIG. 22 and viewed in the direction of the arrows; and

FIG. 24 is a bottom plan view thereof taken along the line 24-24 of FIG. 22 and viewed in the direction of the arrows;

FIG. 25 is a top perspective view of a seventh embodiment of a gift bag with envelope-shaped pocket of the present invention;

FIG. 26 is a front elevation view thereof taken along the line 26-26 of FIG. 25 and viewed in the direction of the arrows;

FIG. 27 is a top plan view thereof taken along the line 27-27 of FIG. 26 and viewed in the direction of the arrows; and

FIG. 28 is a bottom plan view thereof taken along the line 28-28 of FIG. 26 and viewed in the direction of the arrows;

FIG. 29 is a top perspective view of an eighth embodiment of a gift bag with envelope-shaped pocket of the present invention;

FIG. 30 is a front elevation view thereof taken along the line 30-30 of FIG. 29 and viewed in the direction of the arrows;

FIG. 31 is a top plan view thereof taken along the line 31-31 of FIG. 30 and viewed in the direction of the arrows; and,

FIG. 32 is a bottom plan view thereof taken along the line 32-32 of FIG. 30 and viewed in the direction of the arrows.

The arrows and numbers in some of the figures are cross-section indication references where the numbers represent the corresponding figure that was created by the cross-section and the arrows represent the direction of the viewing vantage point. The numbers and arrows are for informational purposes and form no part of the claimed design.

Rear elevation views and right and left side elevation views of the embodiments have been omitted as they form no part of the claimed design.

The evenly spaced broken lines shown in the drawings are directed to environment, are for informational purposes only, and form no part of the claimed design. The long and short broken lines are boundary lines which define the

bounds of the claimed design. These boundaries do not exist in reality in the article embodying the design. It is understood that the claimed design extends to these boundaries but do not include the boundaries.

The surface shading lines are provided only to indicate the character and/or any contour or curvature of the surfaces. They do not indicate color, texture, markings that actually exist thereon, indicia, graphic representations, surface treatment, or any other ornamentation applied to the article.

1 Claim, 16 Drawing Sheets

(58) **Field of Classification Search**

USPC 383/6, 105-120, 127, 10; 220/915.1, 220/915.2, 592.01, 773, 755; D7/601, D7/605-607, 709-710, 393, 394, 395; 206/139, 428, 488; 229/117.19, 116.5, 229/923, 87.03, 87.18, 87.19, 117.09; D8/303, 315; 493/226; 215/399, 396; 150/100, 107; 2/69.5
CPC B65D 33/00; B65D 33/12; B65D 1/22; B65D 5/00; B65D 5/32; B65D 27/00; B65D 27/14; B65D 27/22

See application file for complete search history.

(56) **References Cited**

U.S. PATENT DOCUMENTS

D387,380 S * 12/1997 Feit D19/3
D403,700 S * 1/1999 Sabella D19/3
D512,094 S * 11/2005 Mandeel D19/3
D518,099 S * 3/2006 Agulnick D19/3
D548,741 S * 8/2007 Wishneusky D14/471
D745,282 S * 12/2015 Begin D3/315

* cited by examiner

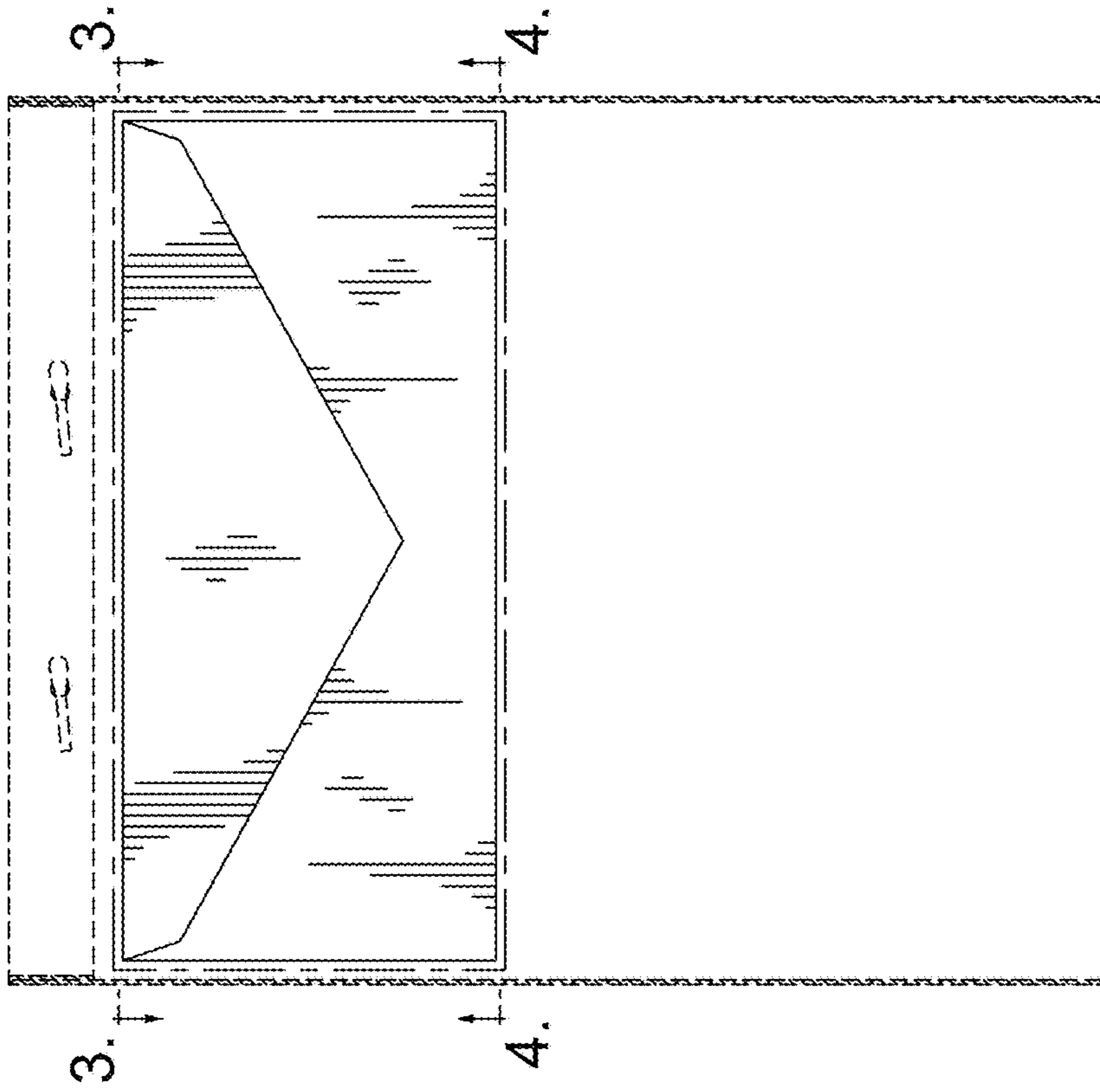


FIG. 1.

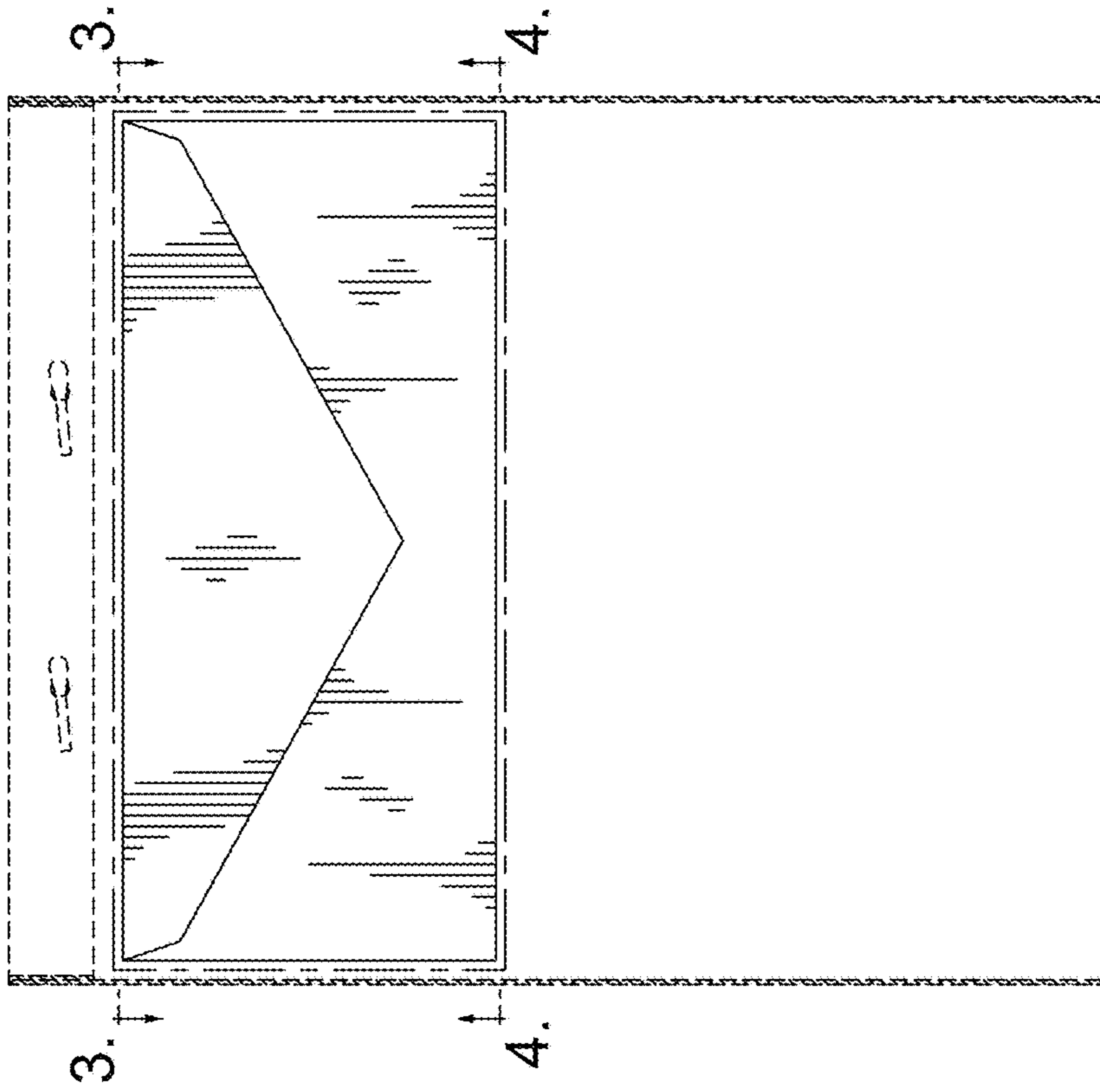


FIG. 2.

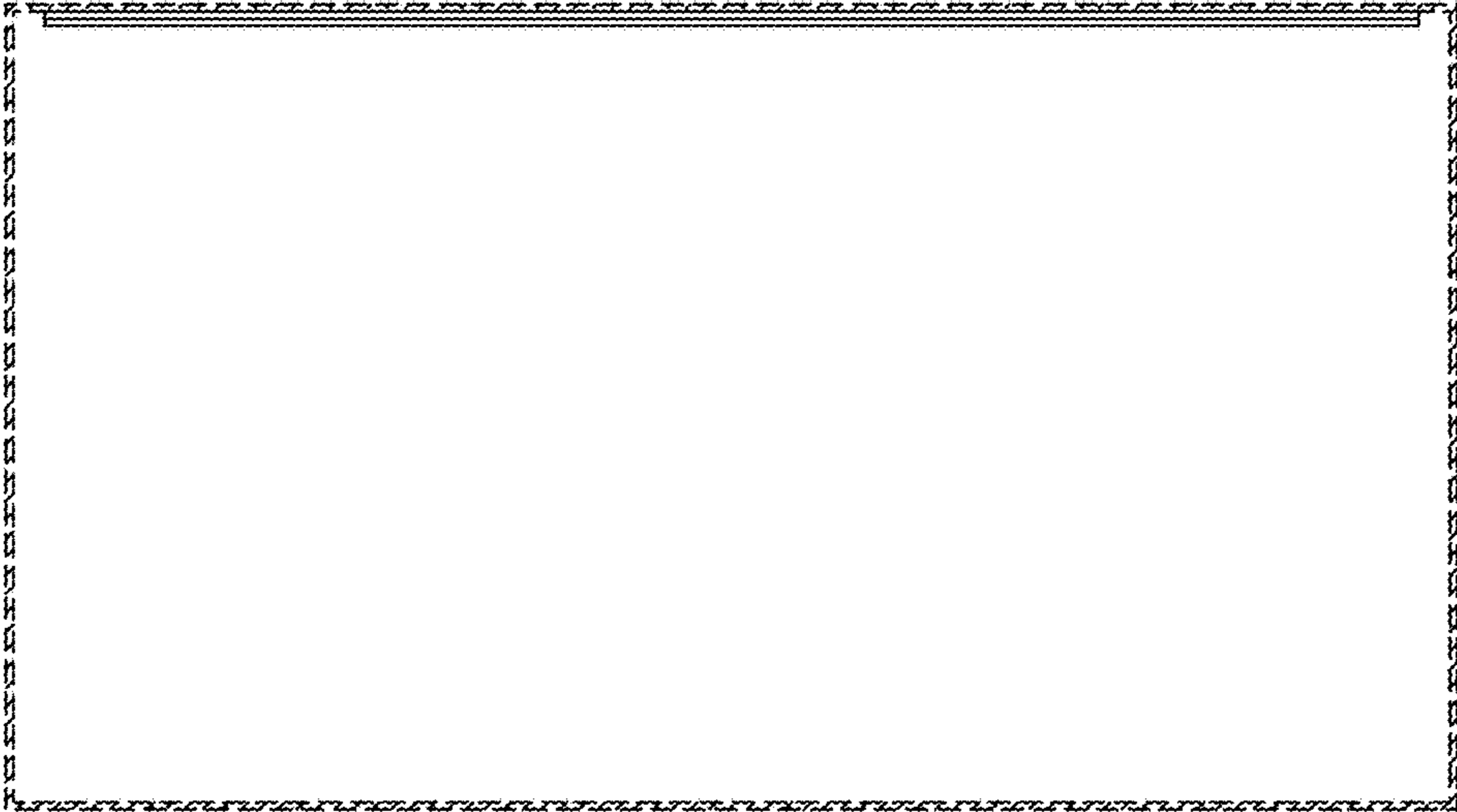


FIG. 3.

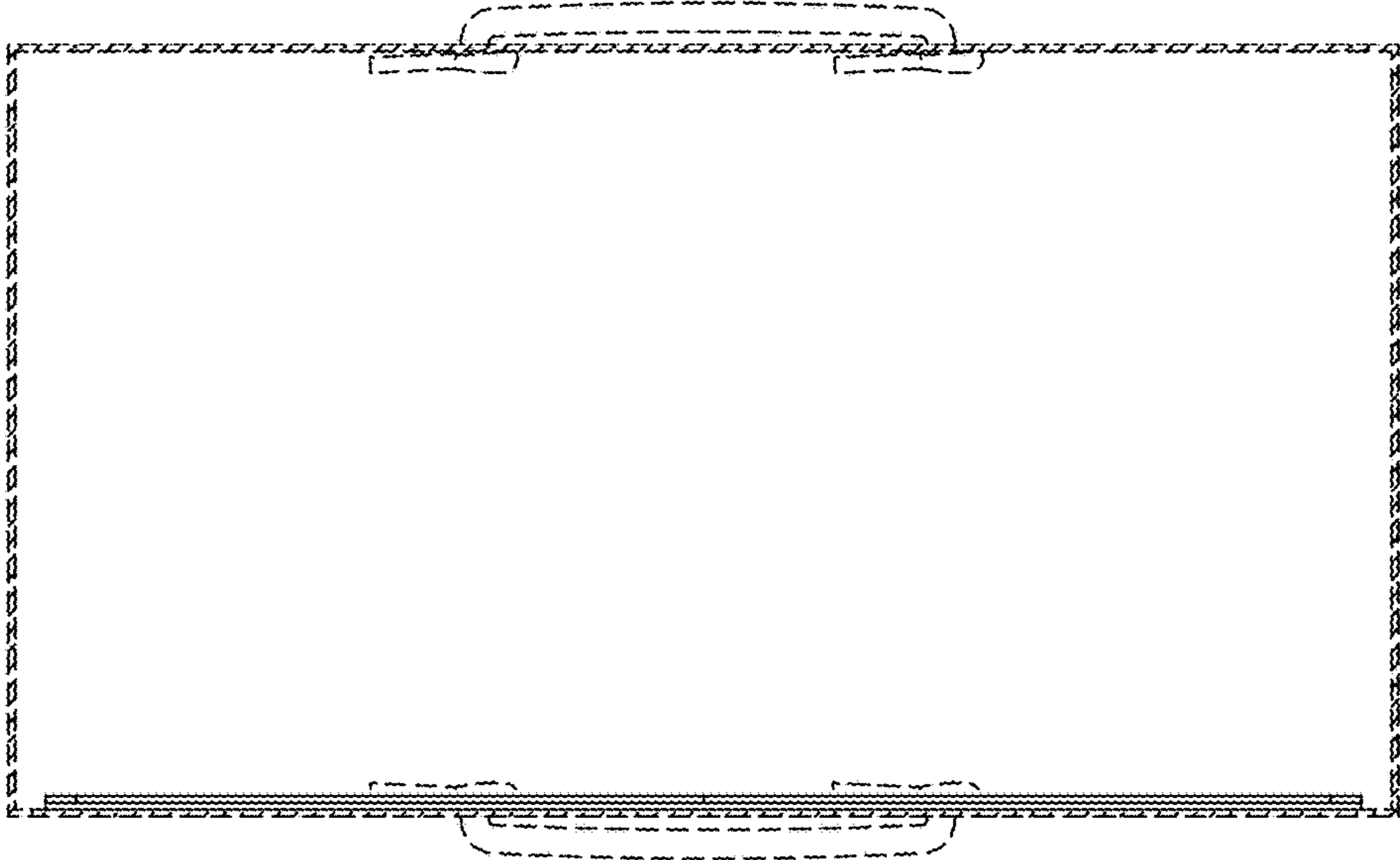


FIG. 4.

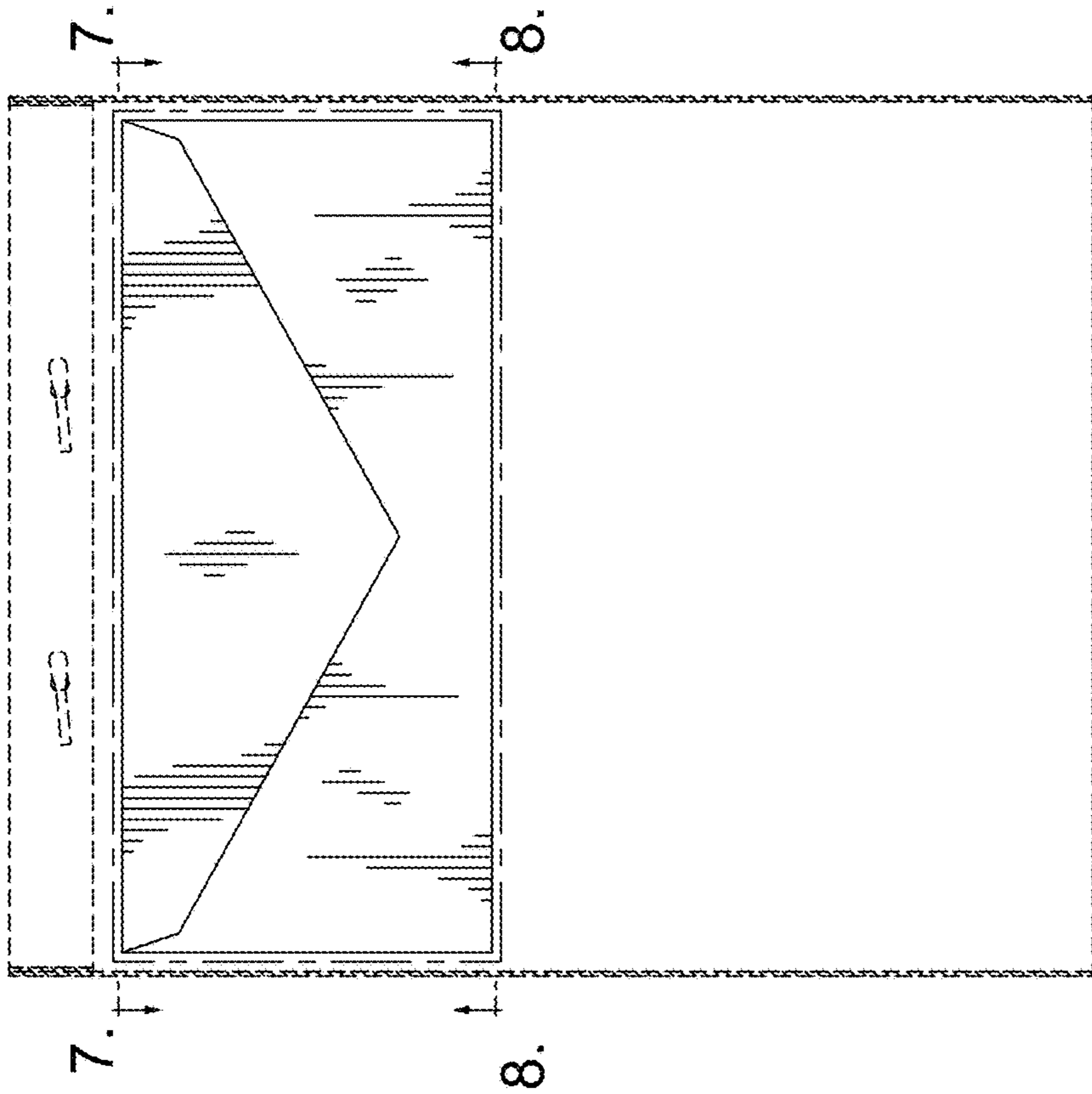


FIG. 5.

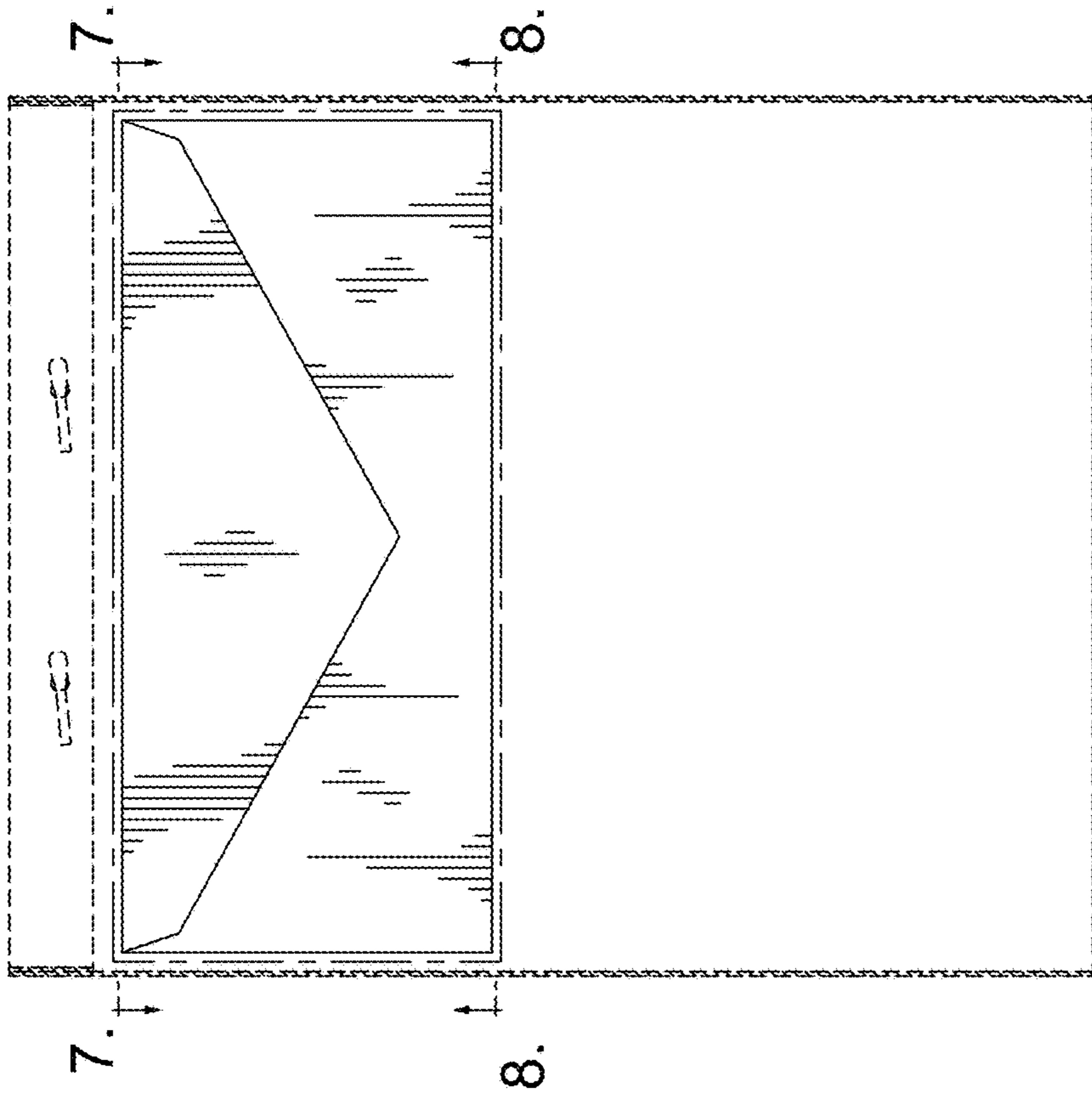


FIG. 6.



FIG. 7.

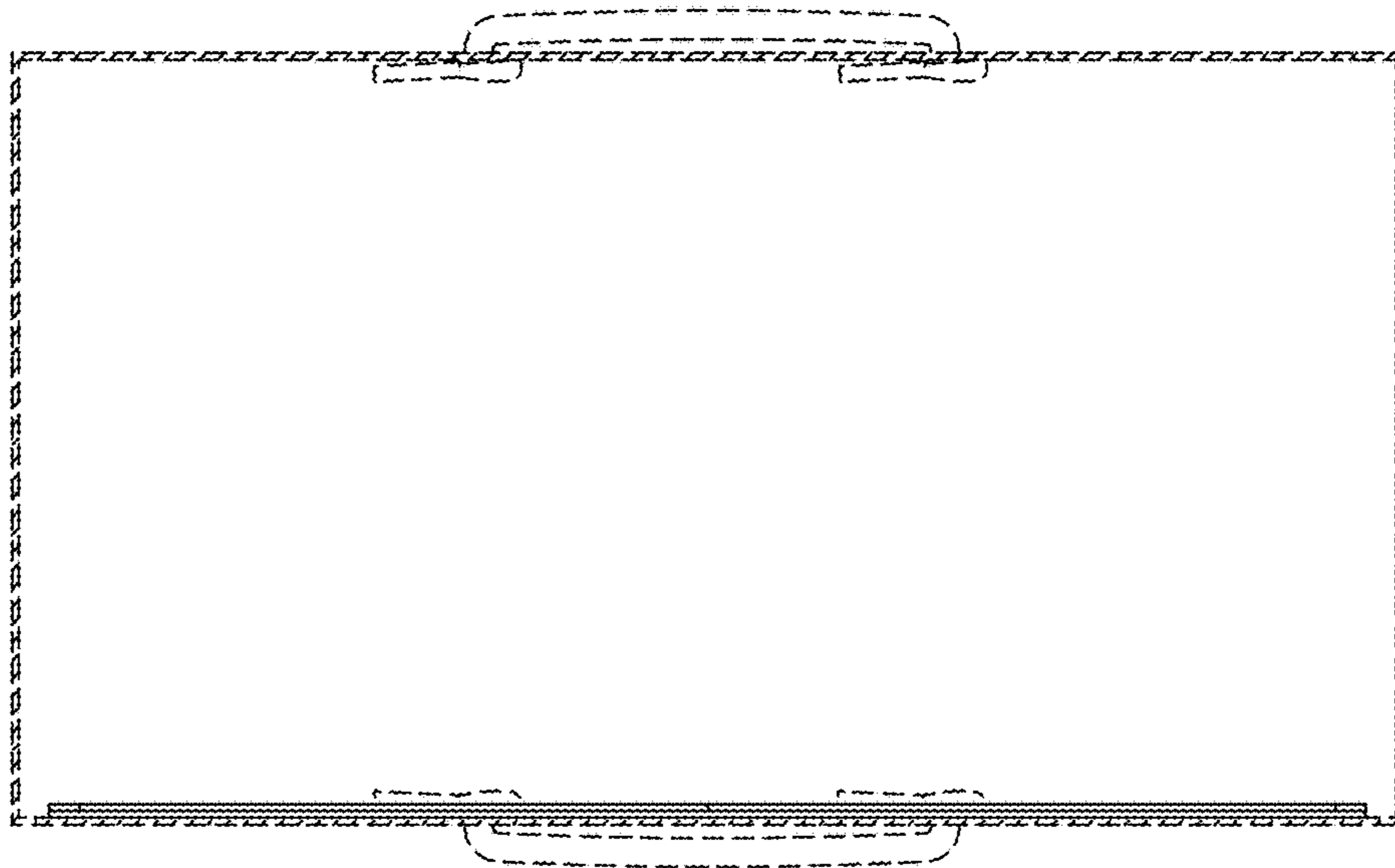


FIG. 8.

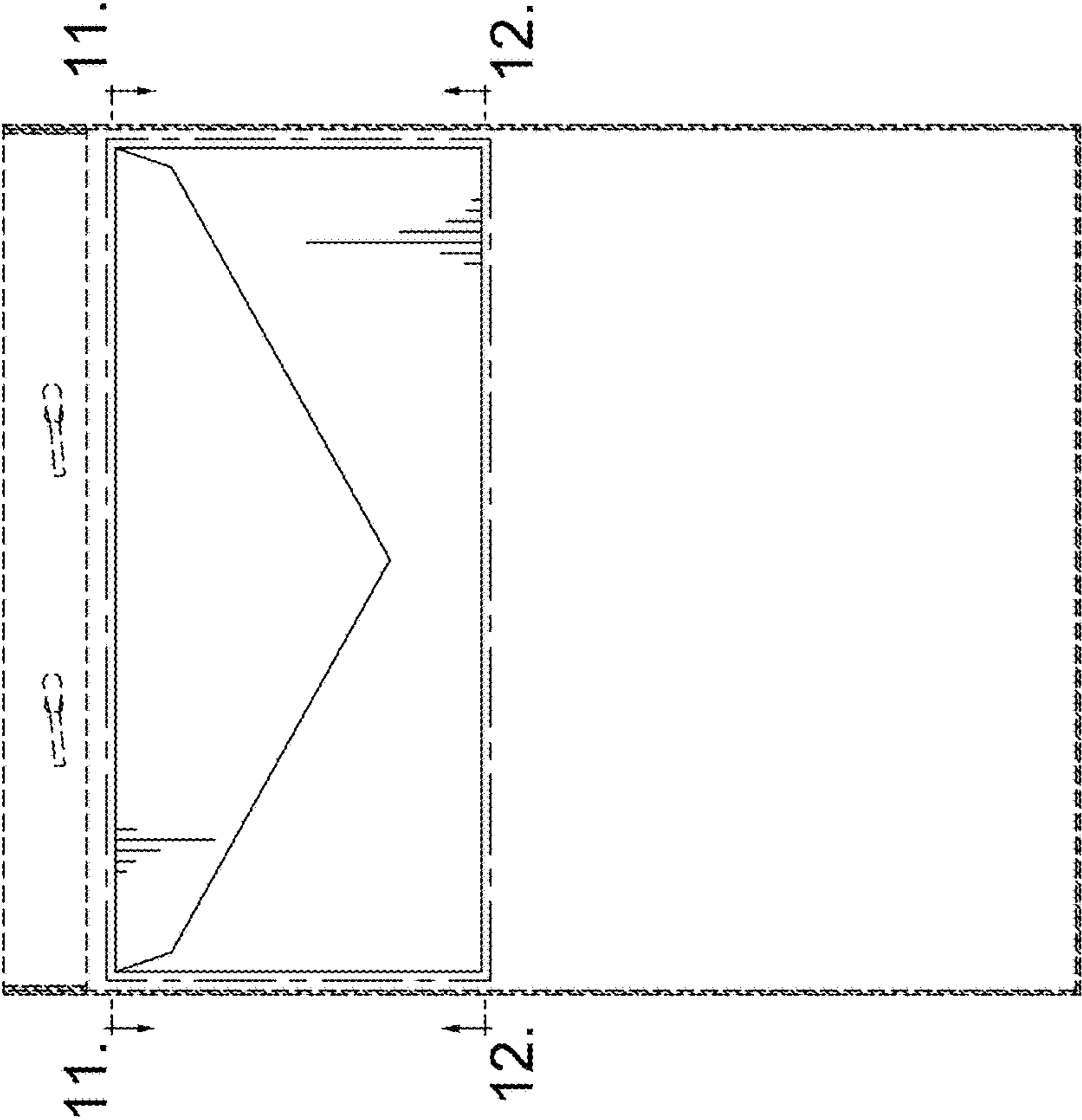


FIG. 9.

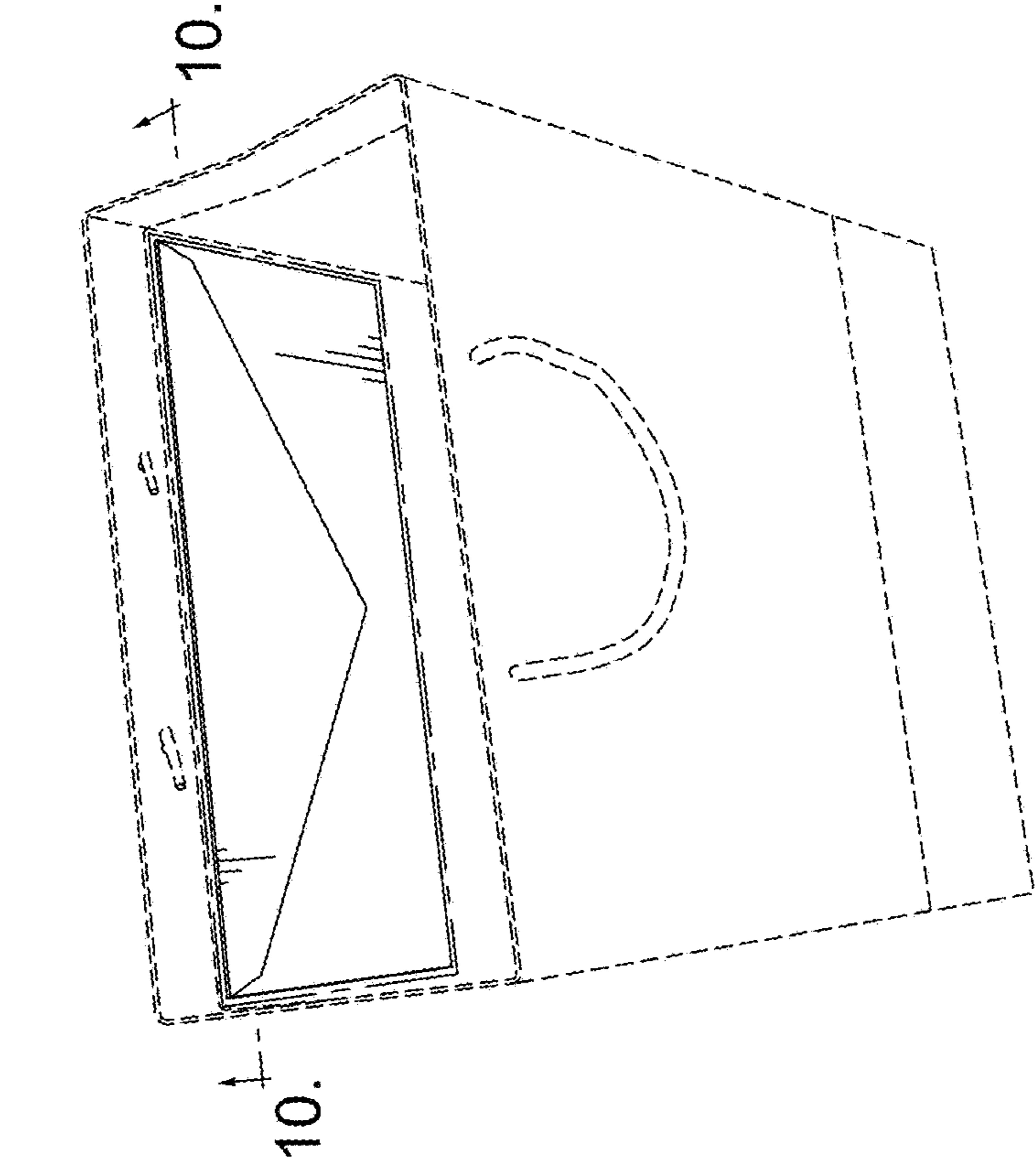


FIG. 10.

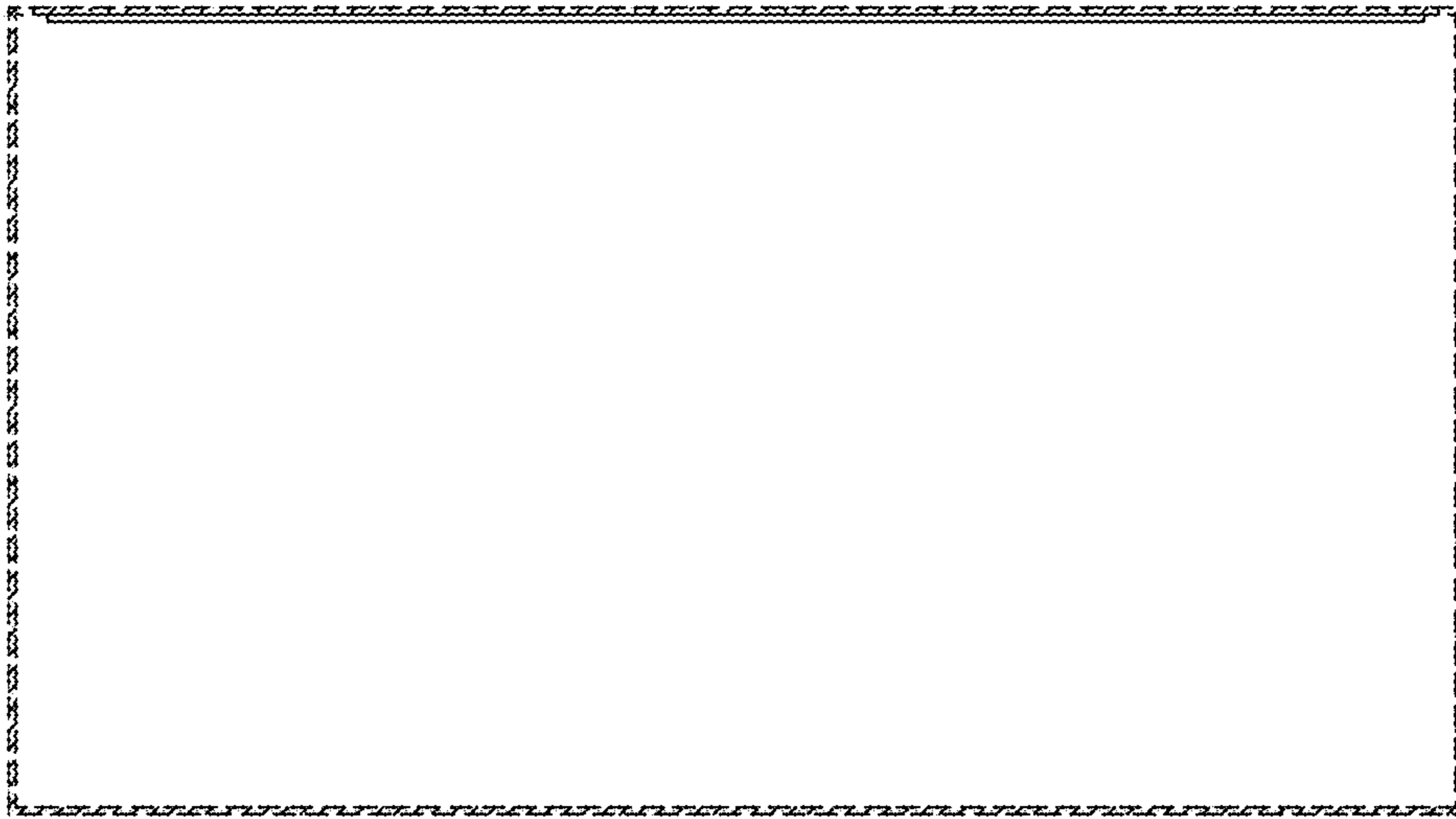


FIG. 11.

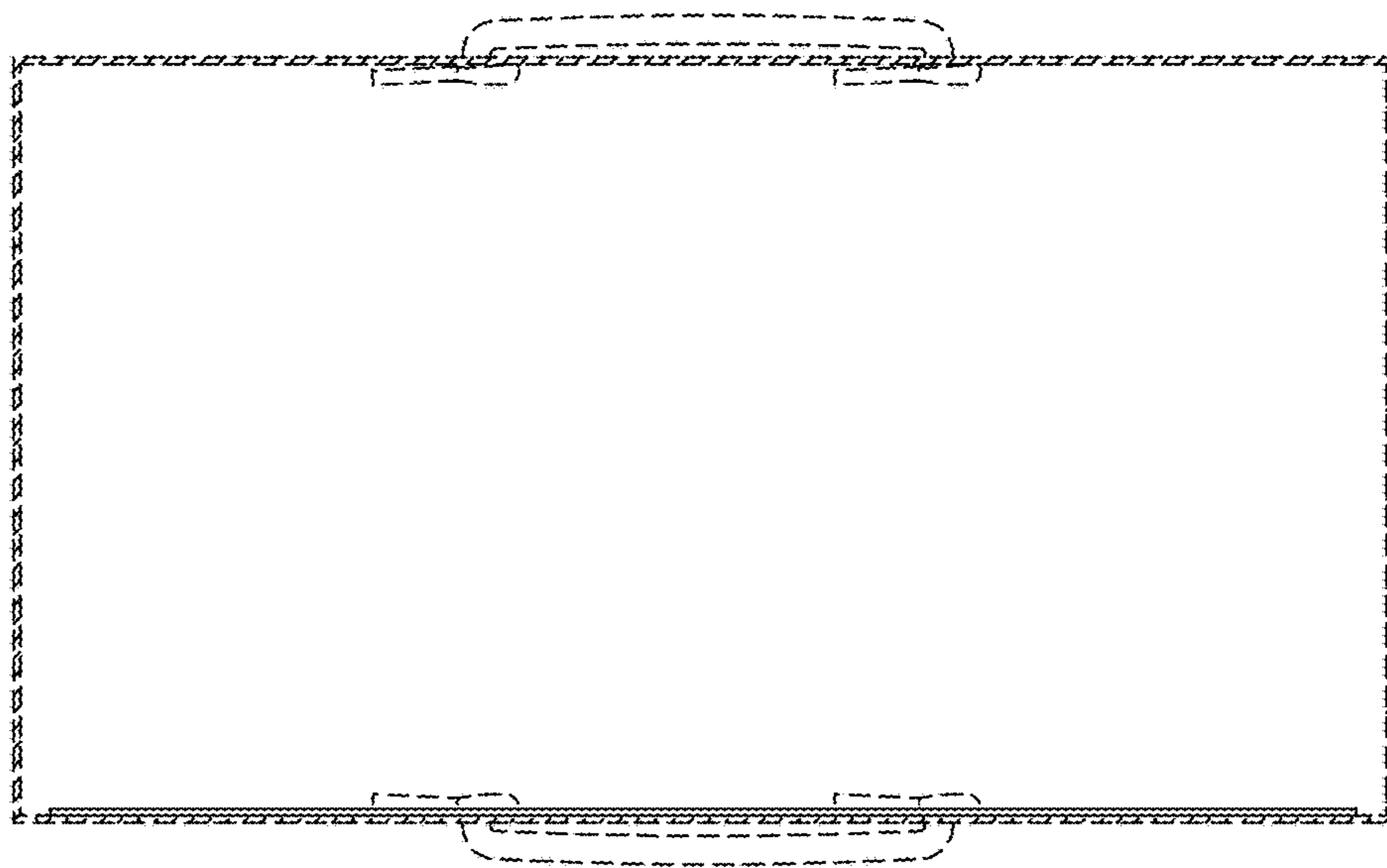


FIG. 12.

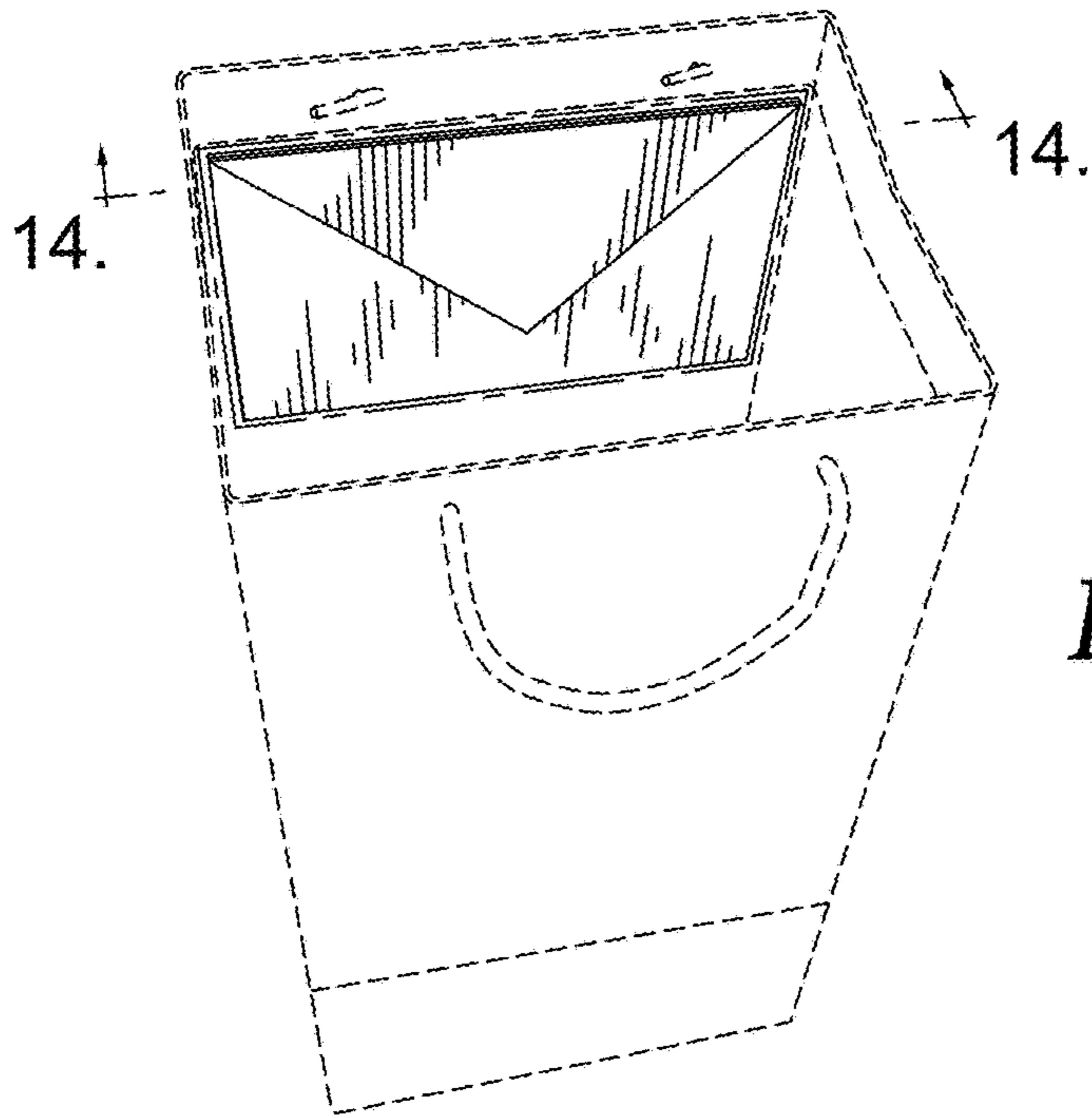


FIG. 13.

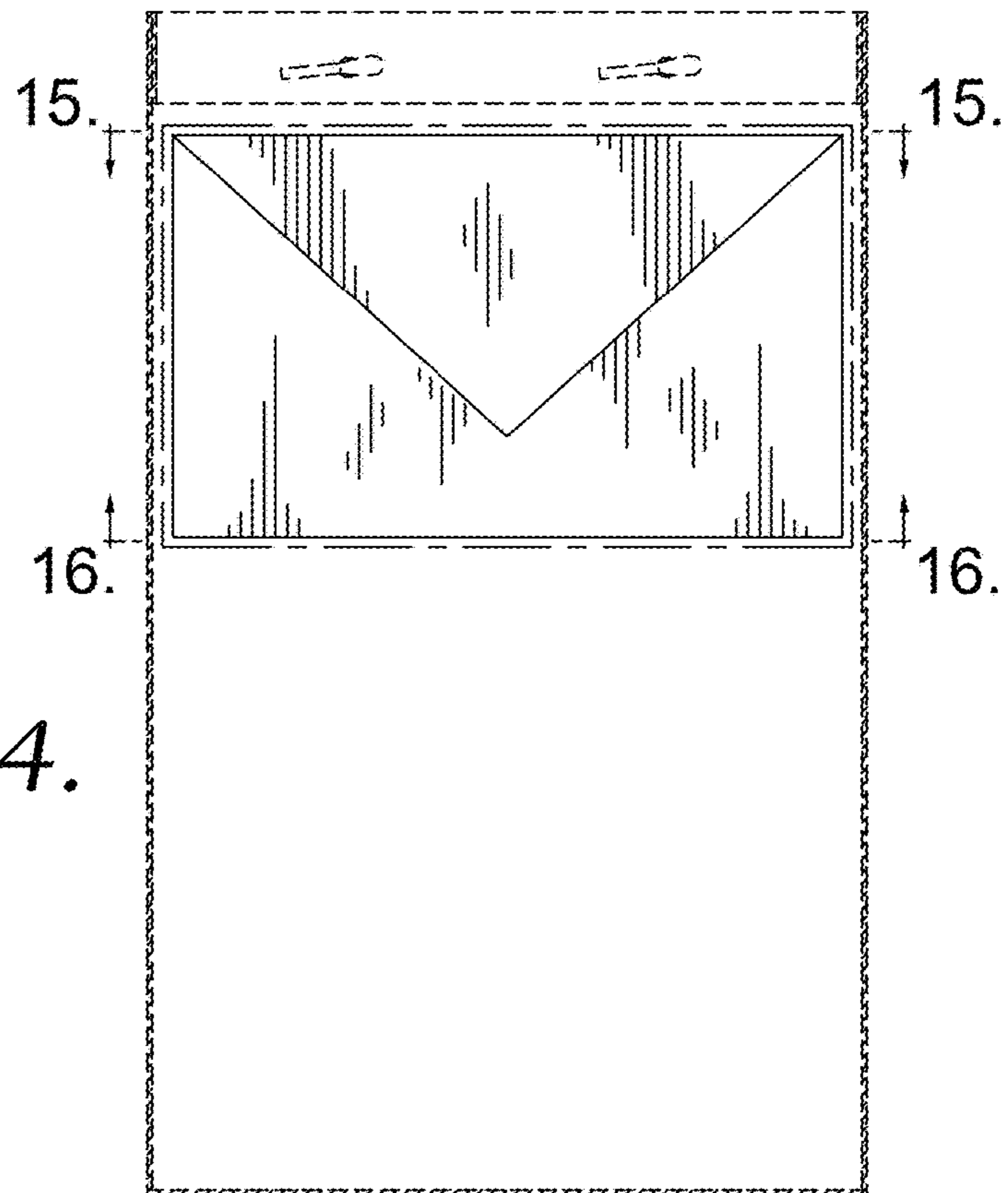


FIG. 14.

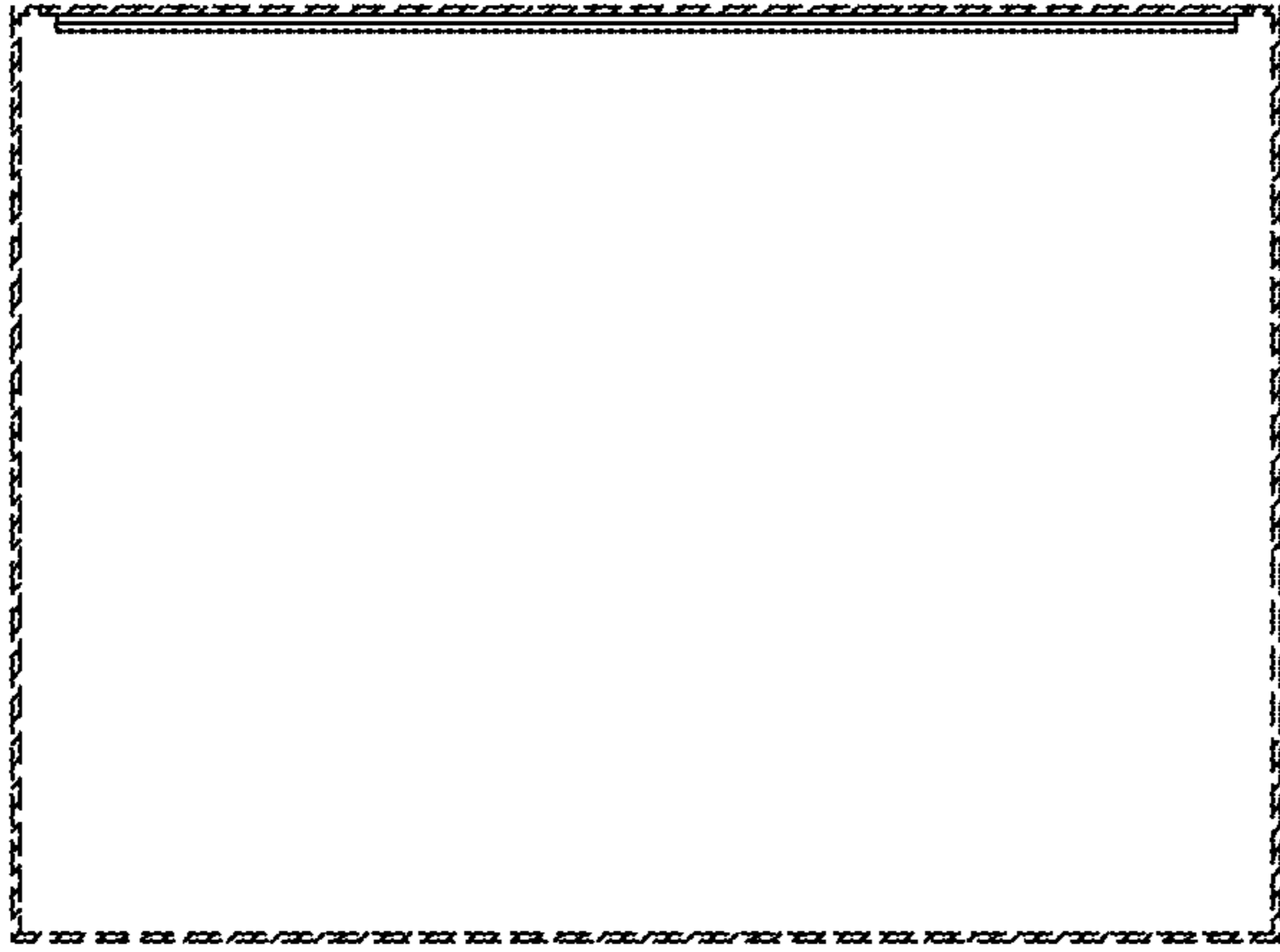


FIG. 15.

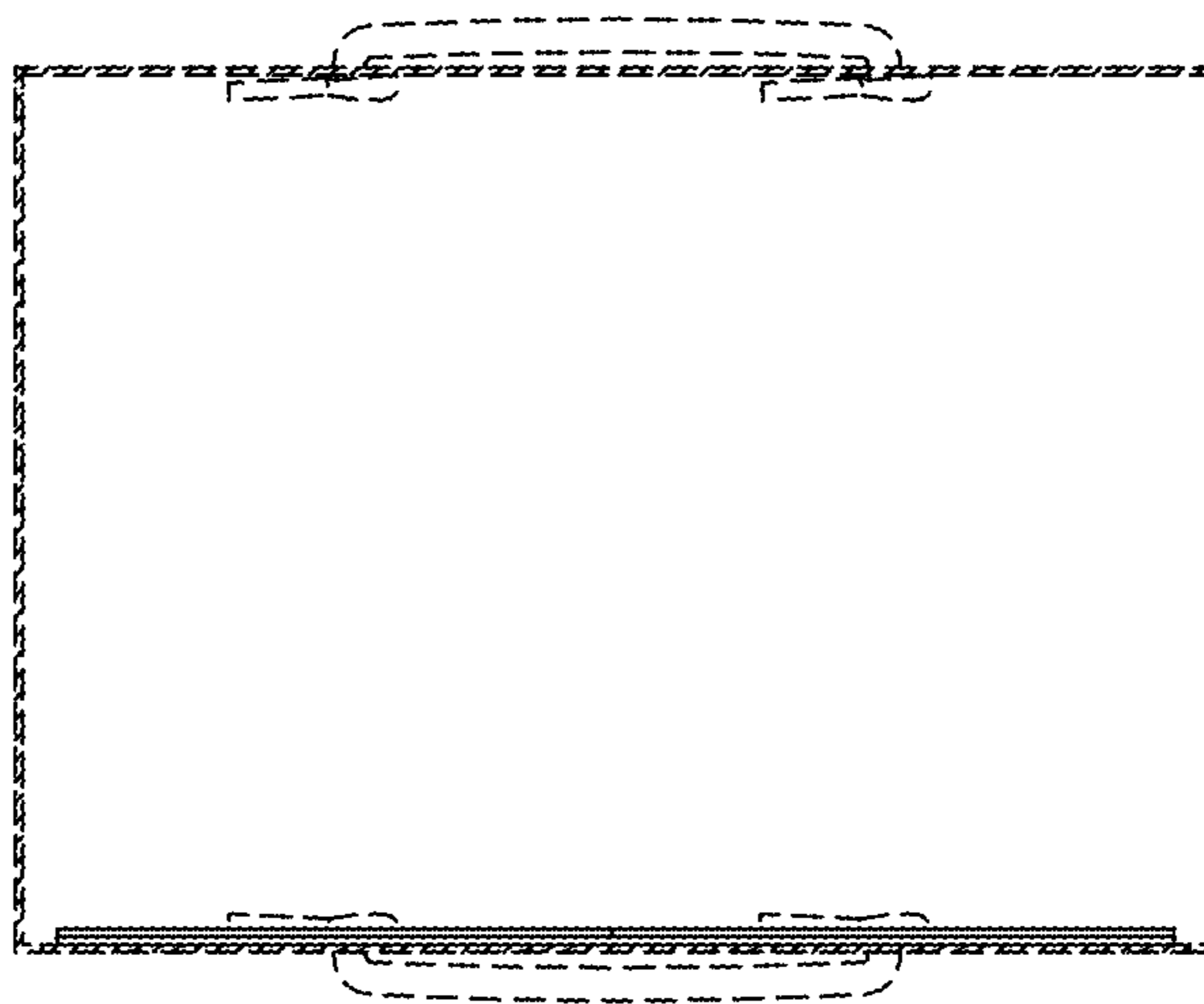


FIG. 16.

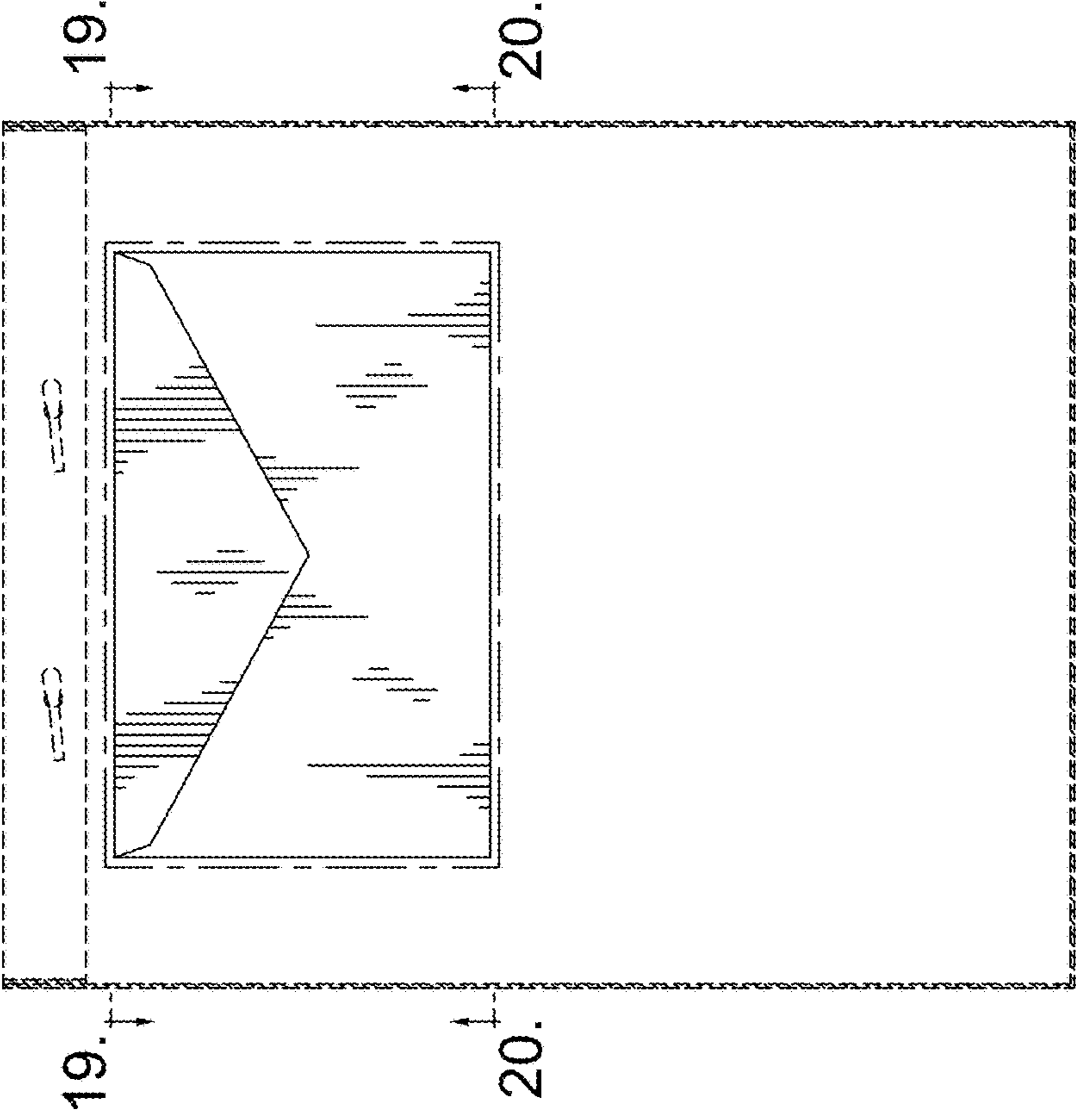


FIG. 17.

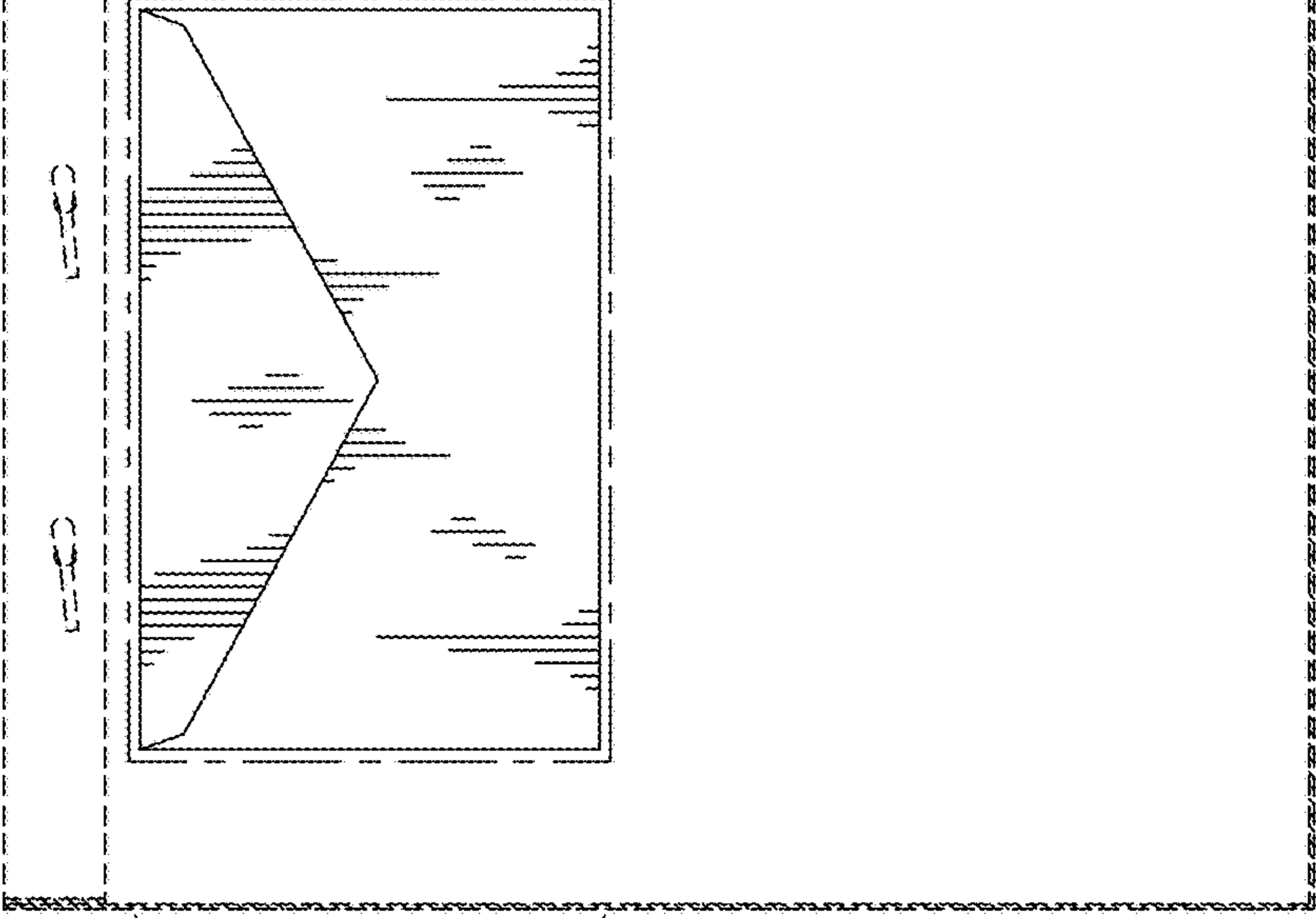


FIG. 18.

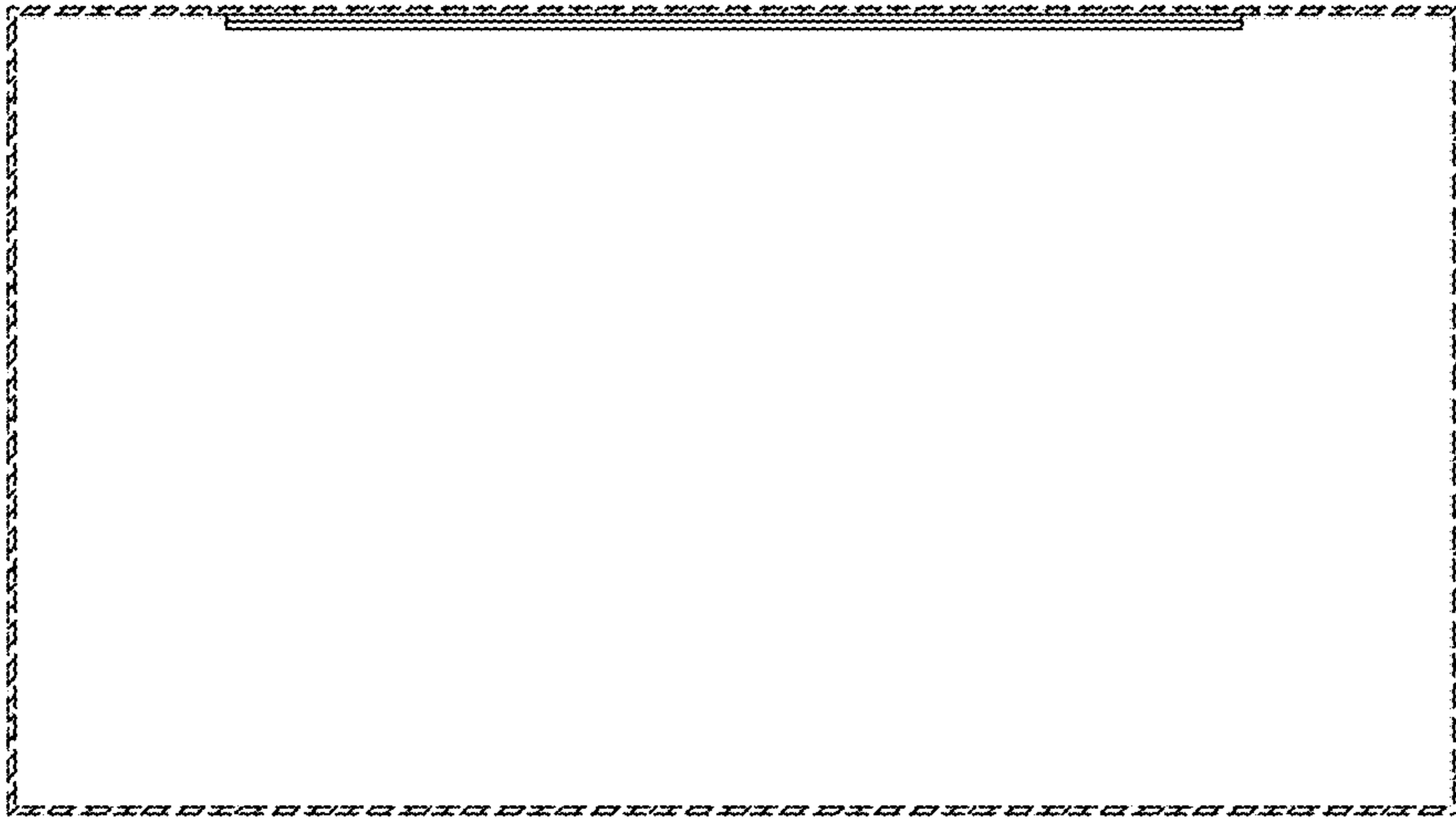


FIG. 19.

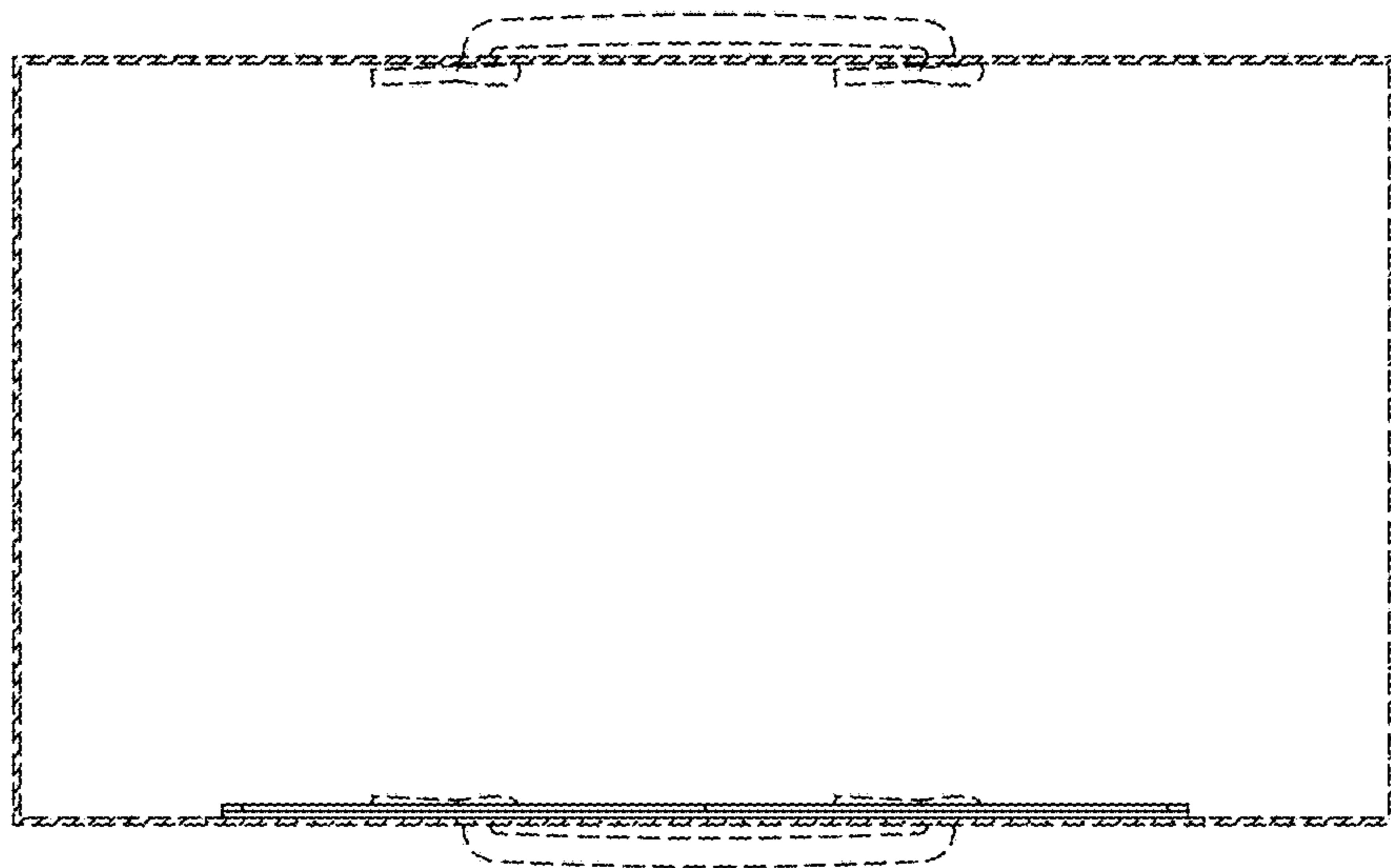


FIG. 20.

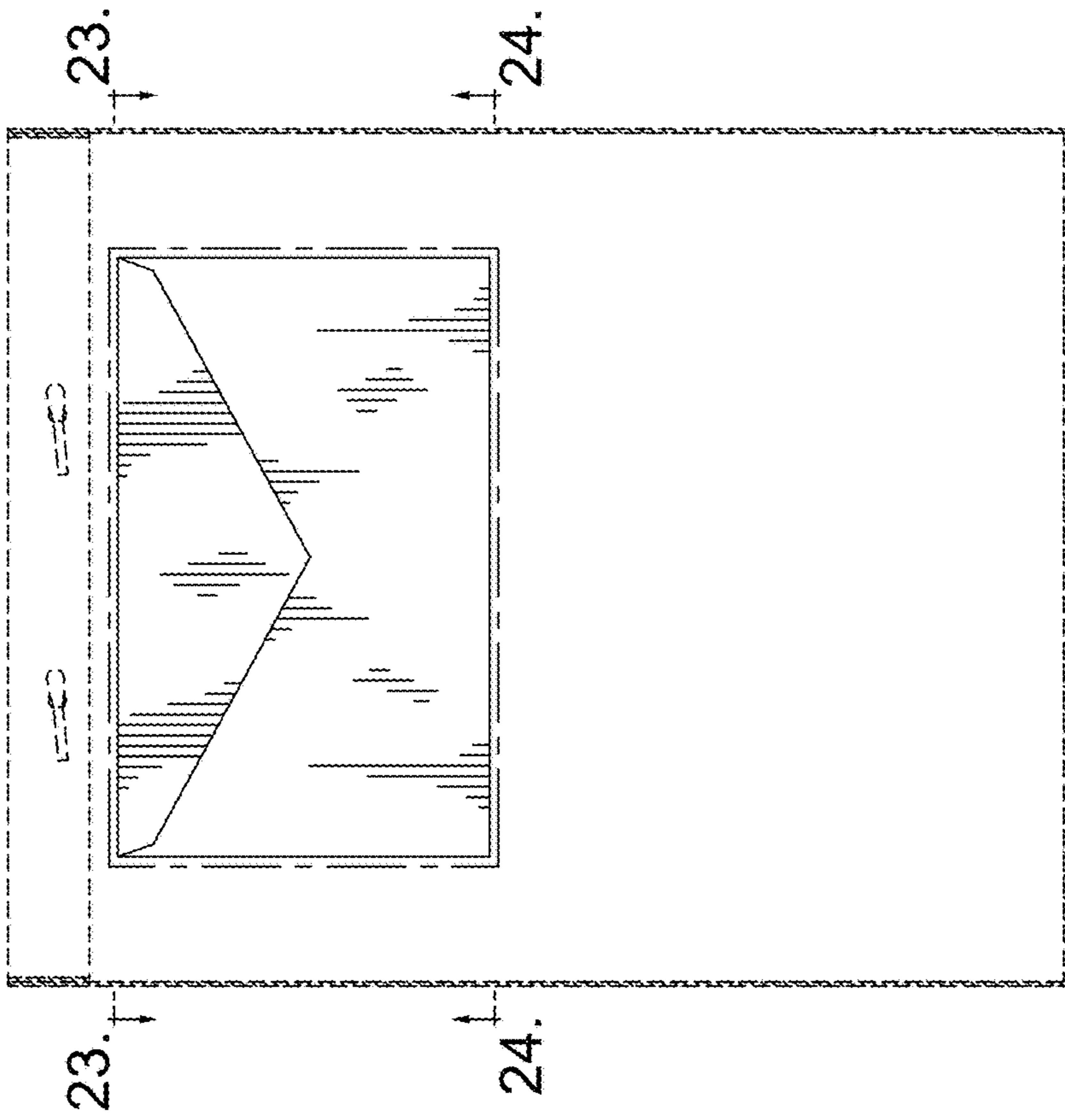


FIG. 21.

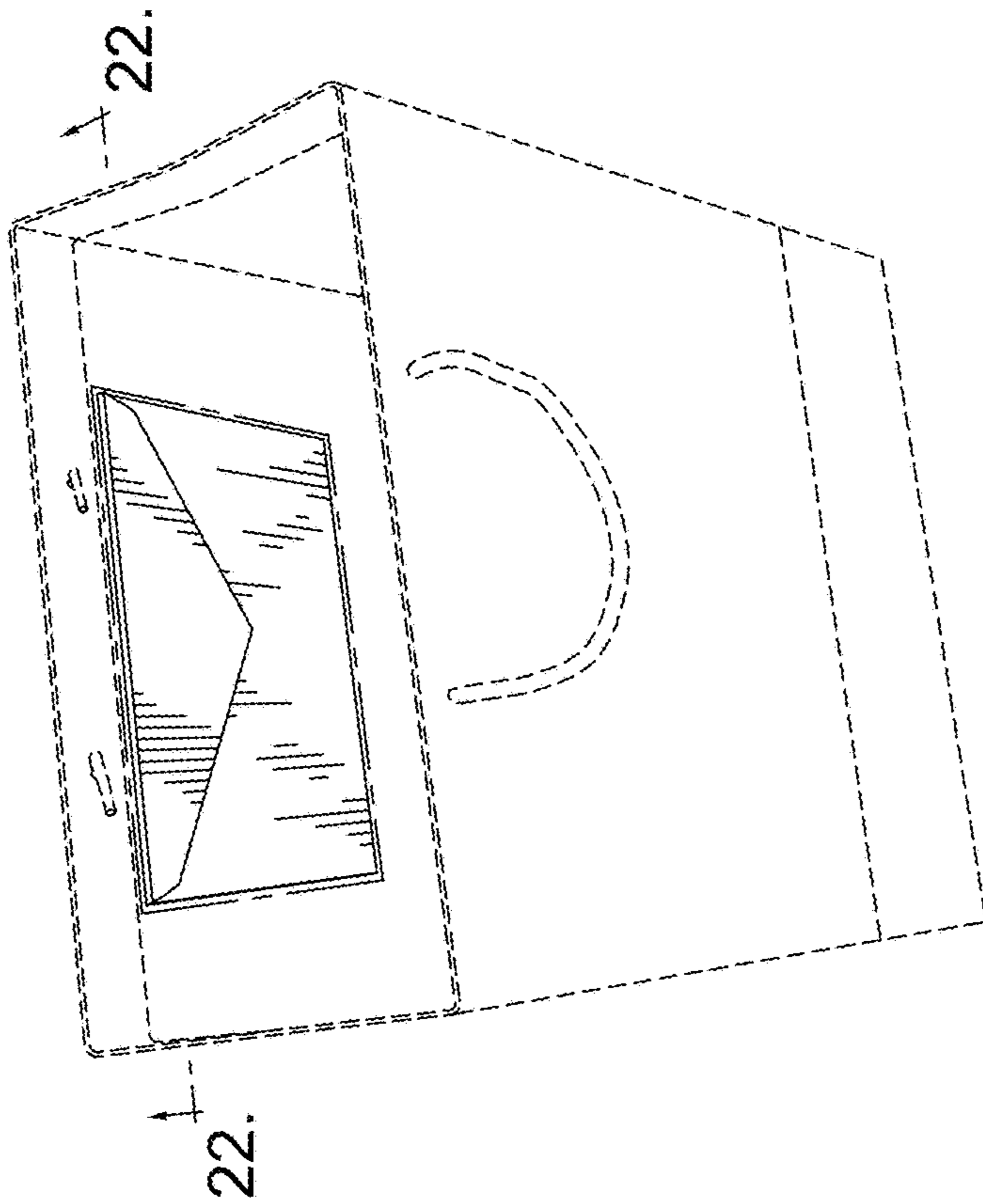


FIG. 22.



FIG. 23.

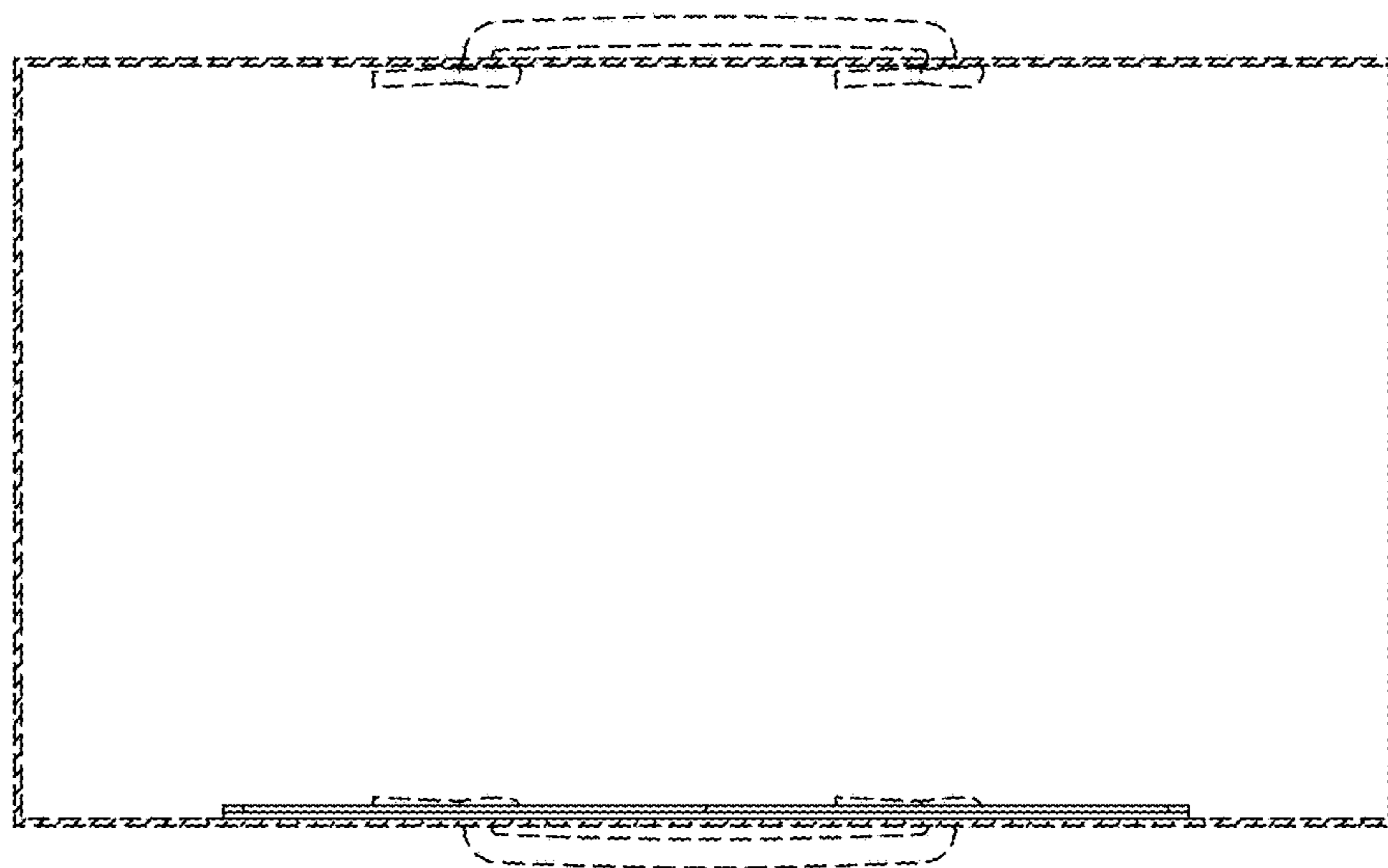


FIG. 24.

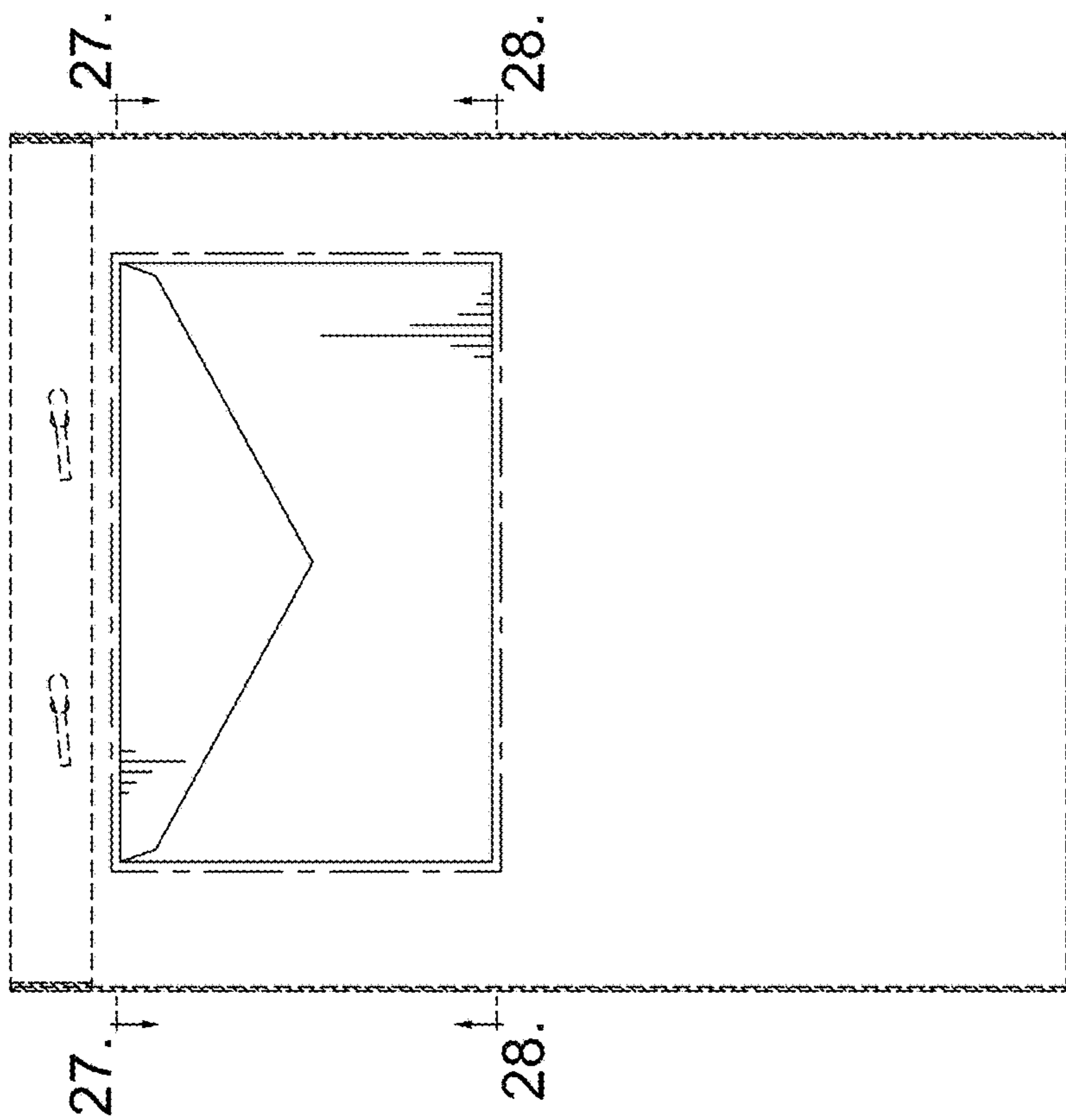


FIG. 26.

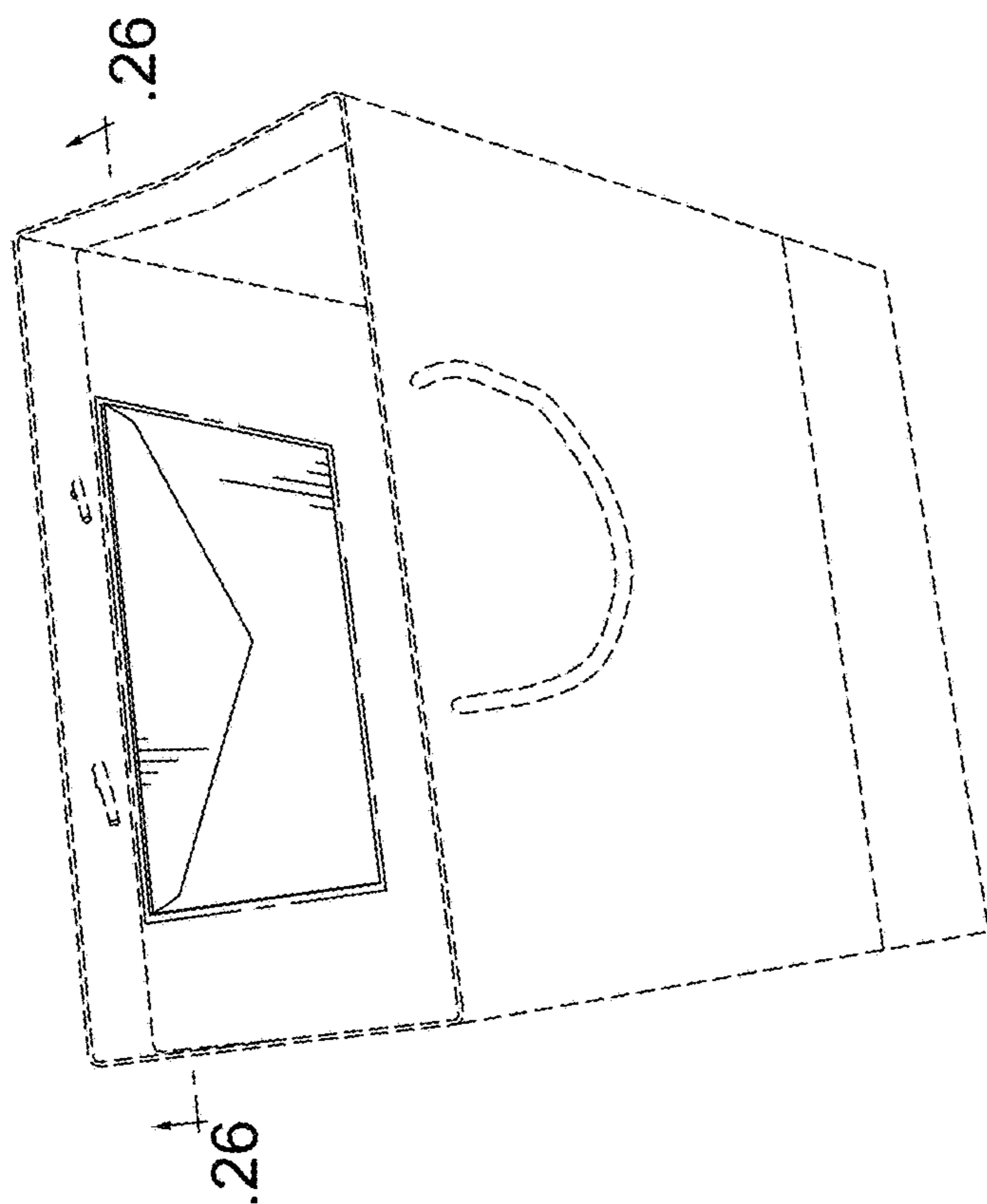


FIG. 25.

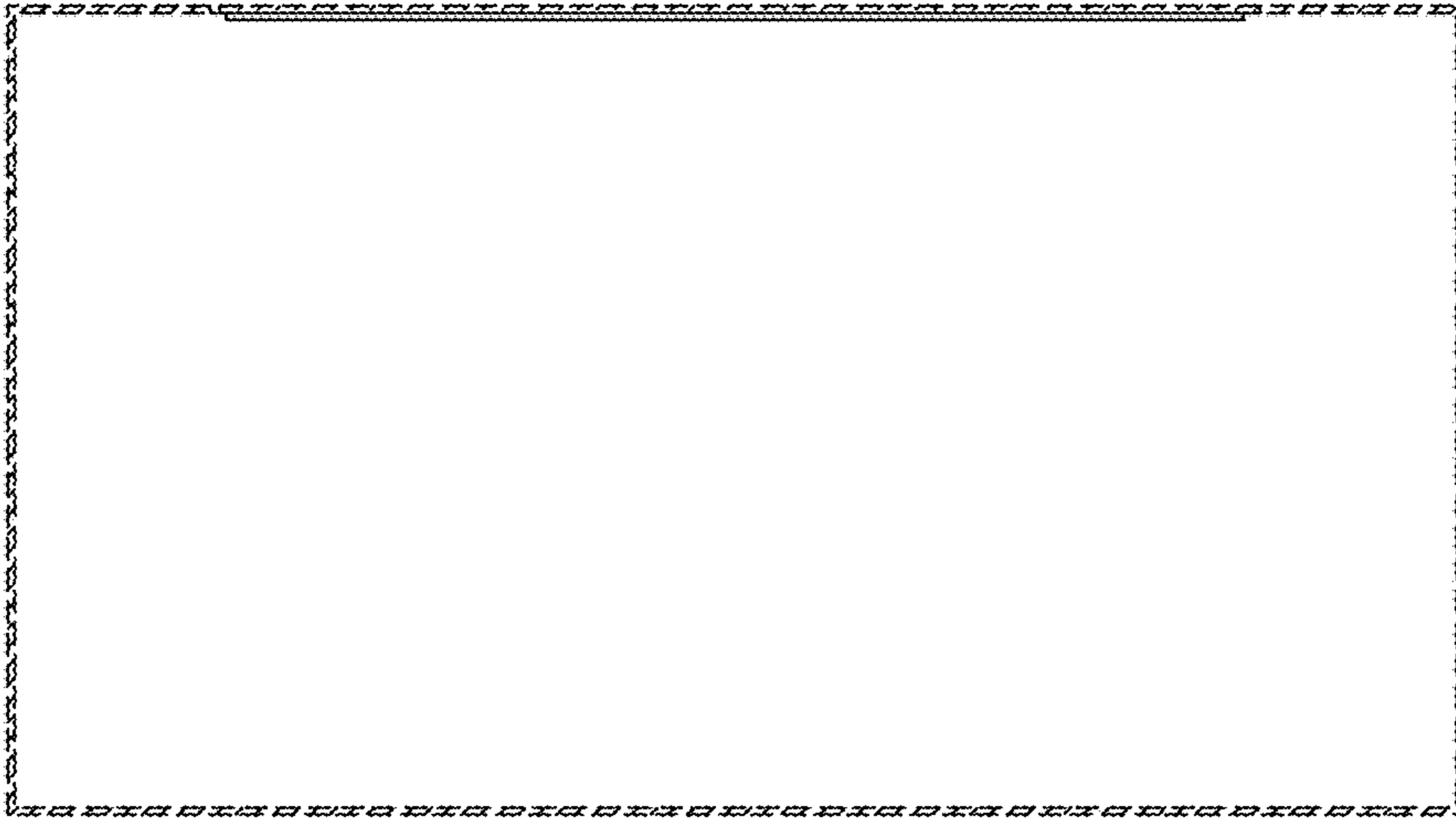


FIG. 27.

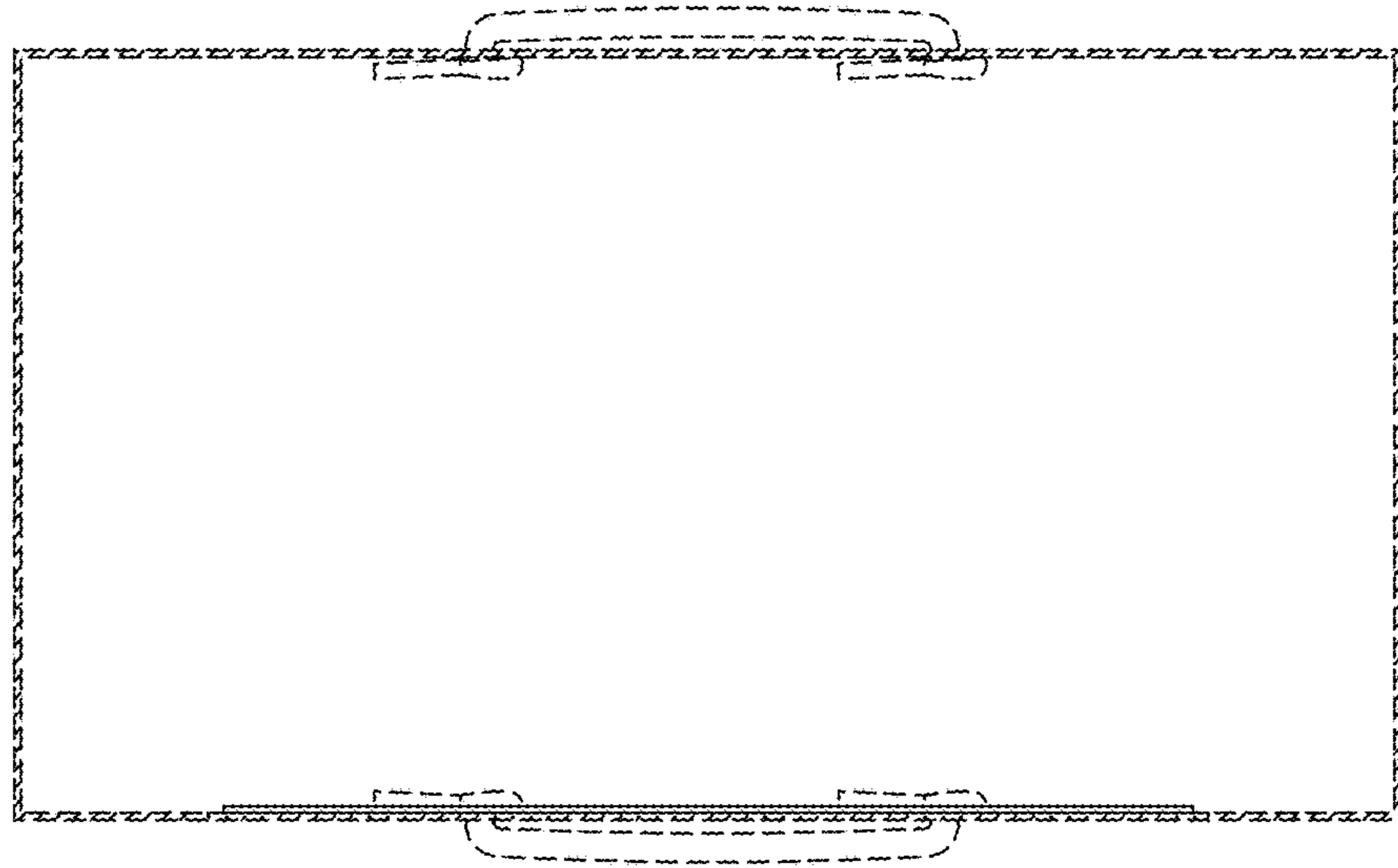


FIG. 28.

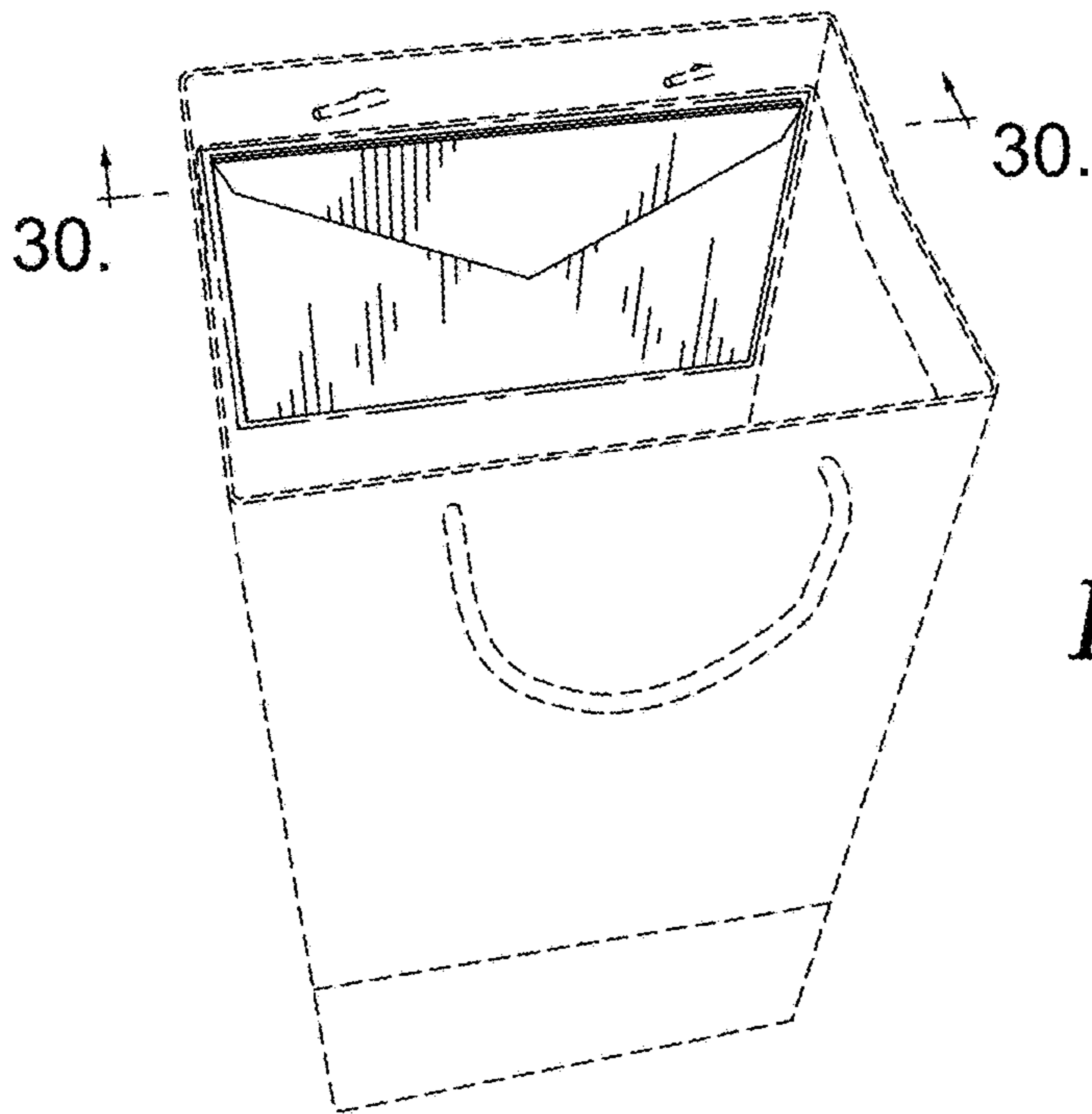


FIG. 29.

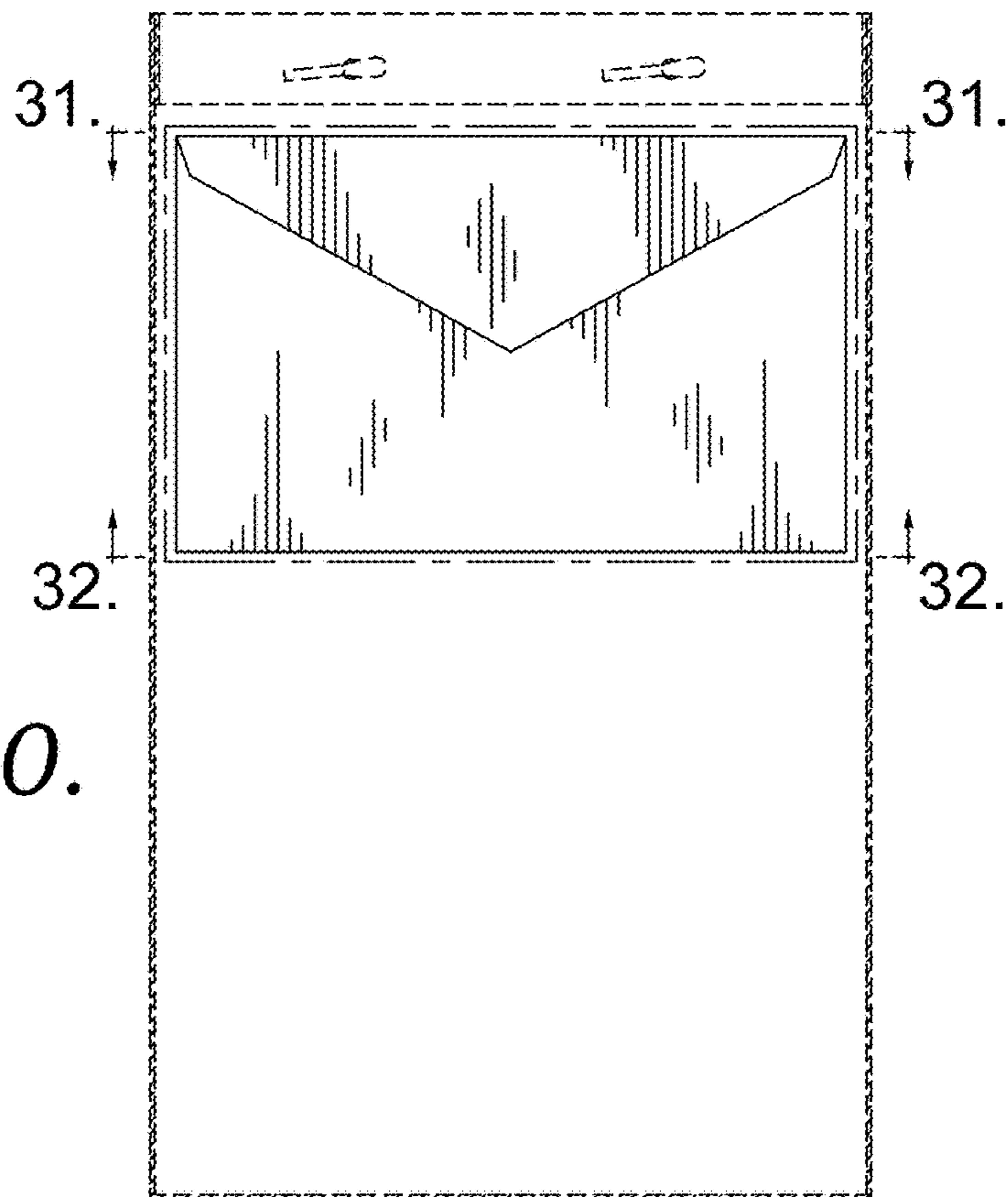


FIG. 30.



FIG. 31.

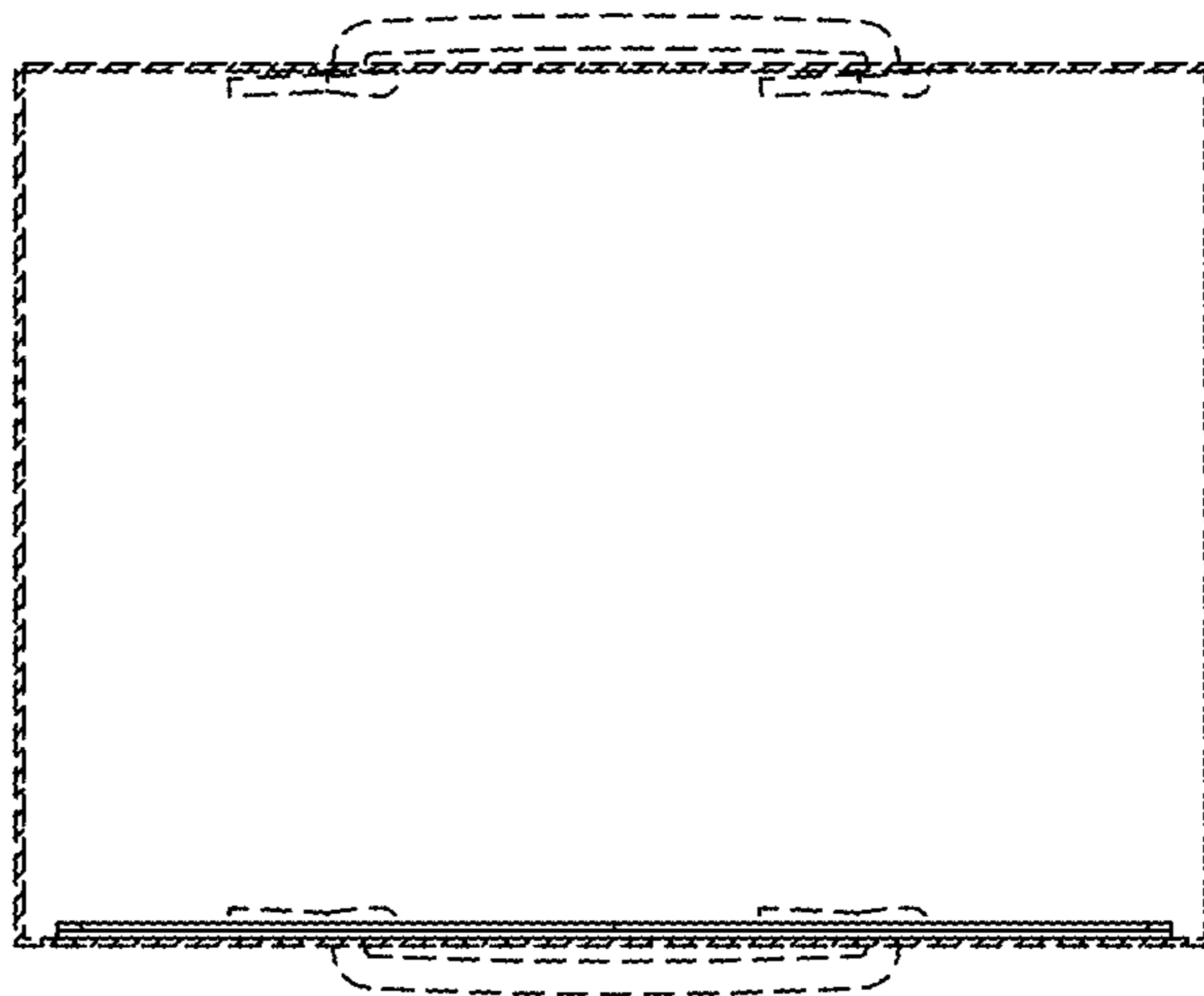


FIG. 32.