



US00D801189S

(12) **United States Design Patent**
Treadwell

(10) **Patent No.:** **US D801,189 S**

(45) **Date of Patent:** **** *Oct. 31, 2017**

(54) **SIMULATED 20-GAUGE SHOTGUN SHELL NOVELTY CONTAINER**

(71) Applicant: **Juanita Treadwell**, Mesita, CO (US)

(72) Inventor: **Juanita Treadwell**, Mesita, CO (US)

(*) Notice: This patent is subject to a terminal disclaimer.

(**) Term: **15 Years**

(21) Appl. No.: **29/573,361**

(22) Filed: **Aug. 4, 2016**

(51) **LOC (10) Cl.** **09-01**

(52) **U.S. Cl.**
USPC **D9/680; D9/529; D9/575; D9/454; D22/116**

(58) **Field of Classification Search**
USPC D3/203.2, 270, 271.1-271.4; D7/510, D7/514-520, 599, 601-602, 604, D7/612-615, 619.2, 623, 628-629; D9/600, 680, 500-516, 529, 549, 557, D9/575, 451, 454; 206/457, 527, 531, 206/538; 215/381-384, 400; D22/116
CPC B65D 5/4258; B65D 81/60; B65D 81/365; B65D 81/366; B65D 81/368; B65D 2203/00; B65D 2203/02
See application file for complete search history.

(56) **References Cited**

U.S. PATENT DOCUMENTS

- D204,608 S * 5/1966 Sobolewski D22/116
- D354,909 S * 1/1995 Blanche D9/529
- D384,859 S * 10/1997 Cundieff D7/515
- D415,547 S * 10/1999 Klima, Jr. D22/116
- D435,626 S * 12/2000 Benini D22/116

- D535,476 S * 1/2007 Pennington D3/271.1
- D641,639 S * 7/2011 Kraff D9/680
- D641,640 S * 7/2011 Kraff D9/680
- D650,695 S * 12/2011 Talbott D22/116
- D693,688 S * 11/2013 Russell D9/680
- D703,060 S * 4/2014 Okulla D9/529
- D764,308 S * 8/2016 De Lataillade D9/680
- D771,500 S * 11/2016 De Lataillade D9/680

* cited by examiner

Primary Examiner — Sandra L Morris

(74) *Attorney, Agent, or Firm* — Bryan Cave LLP

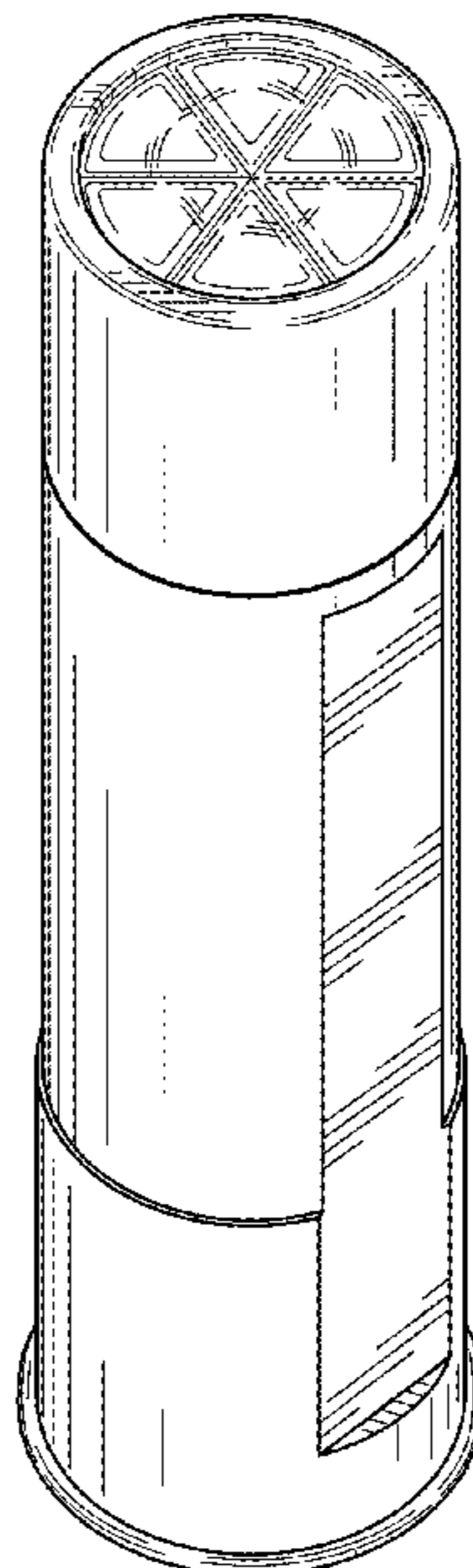
(57) **CLAIM**

I claim the ornamental design for a simulated 20-gauge shotgun shell novelty container, as shown and described.

DESCRIPTION

FIG. 1 is a perspective view of a simulated 20-gauge shotgun shell novelty container showing the new design; FIG. 2 is another perspective view thereof; FIG. 3 is a bottom view thereof; FIG. 4 is a top view thereof; FIG. 5 is a rear view thereof; FIG. 6 is a front view thereof; FIG. 7 is a side view thereof, the opposite side view being a mirror image; FIG. 8 is a cutaway side view thereof, the opposite cutaway side view being a mirror image; FIG. 9 is an exploded perspective view thereof; FIG. 10 is another exploded perspective view thereof; FIG. 11 is a front view showing the design of FIG. 1 in an environment of use; and, FIG. 12 is a front view showing the design of FIG. 1 in an alternate environment of use. The broken lines in FIGS. 11-12 illustrate environmental structure and form no part of the claimed design.

1 Claim, 7 Drawing Sheets



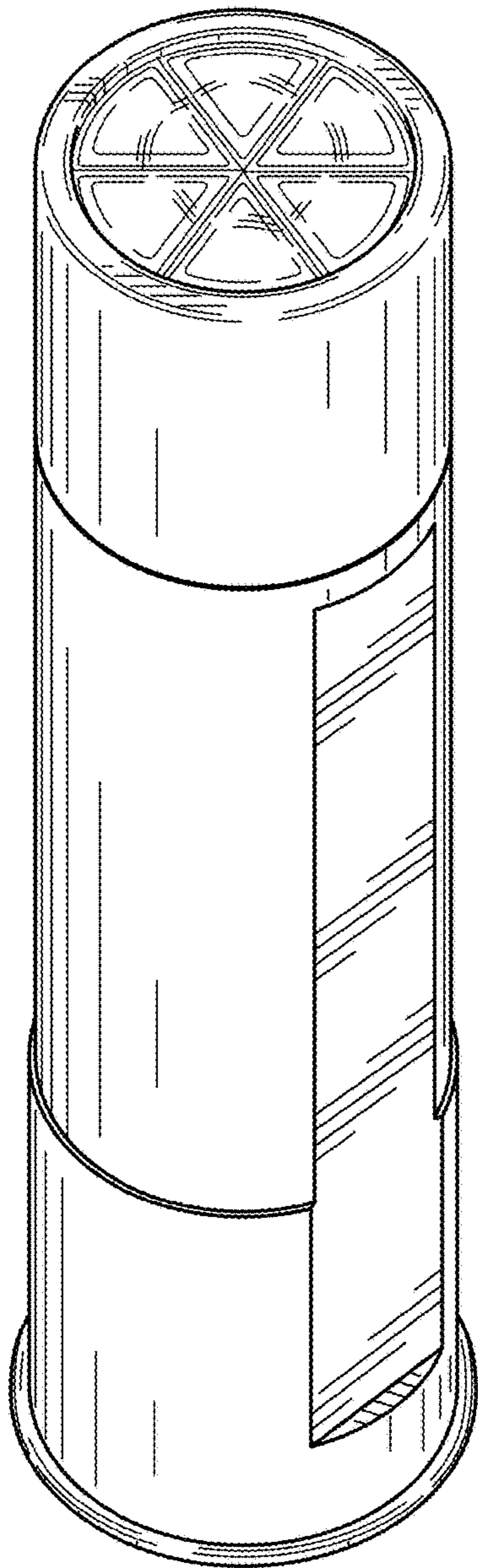


FIG. 1

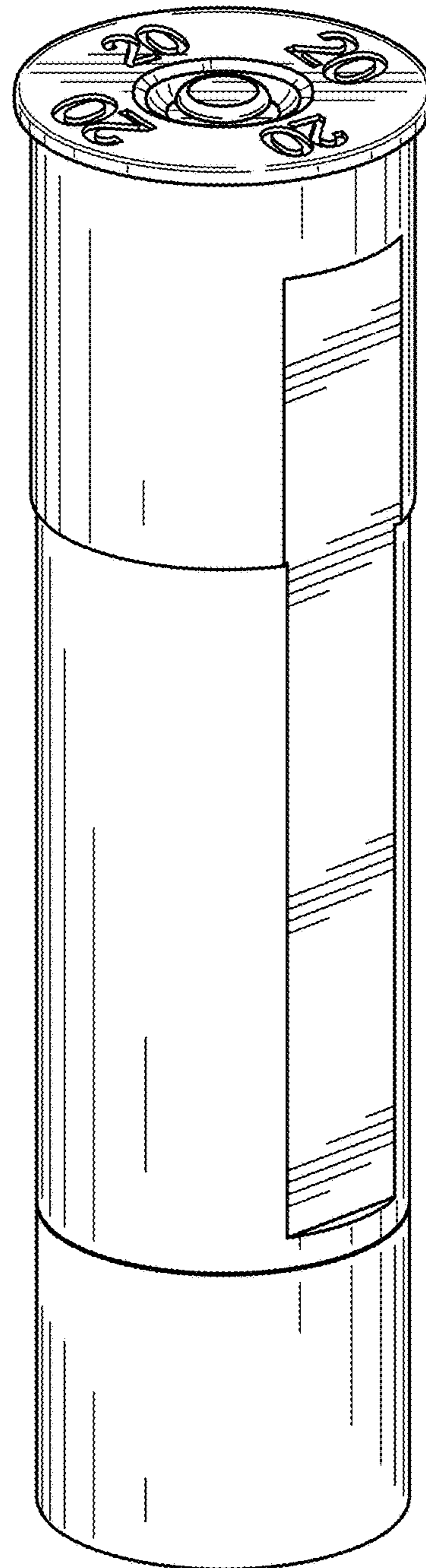


FIG. 2

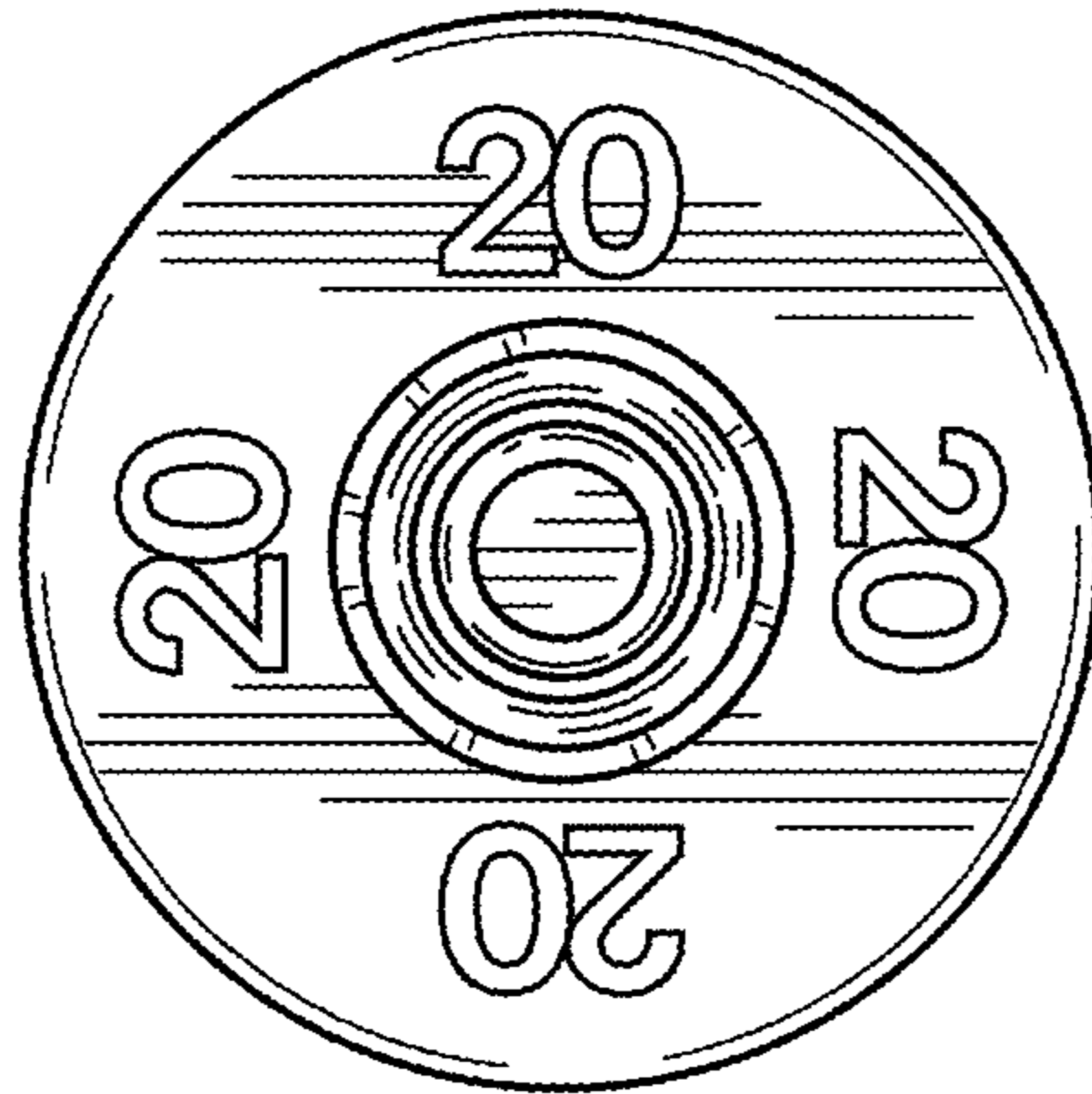


FIG. 3

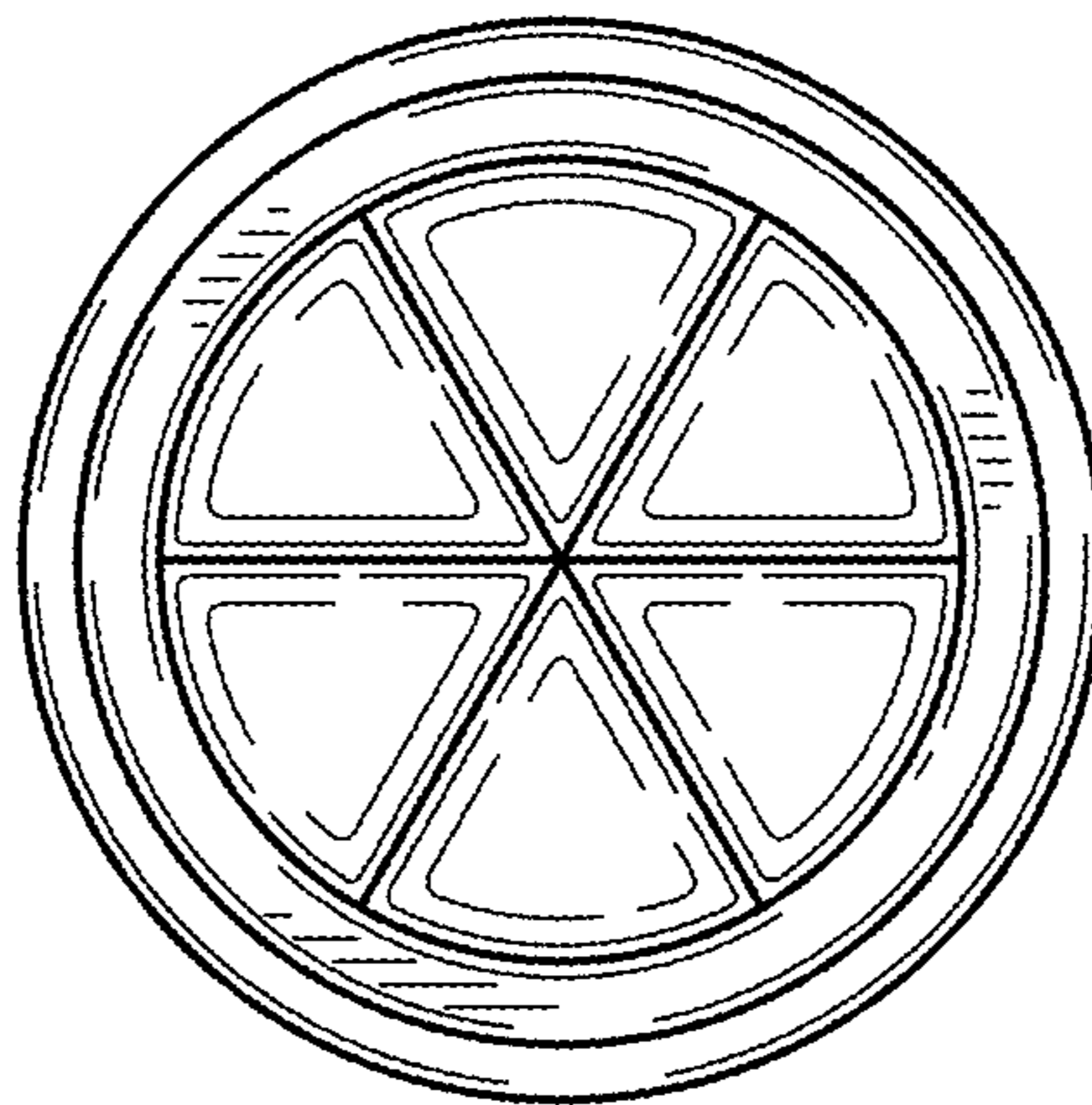


FIG. 4

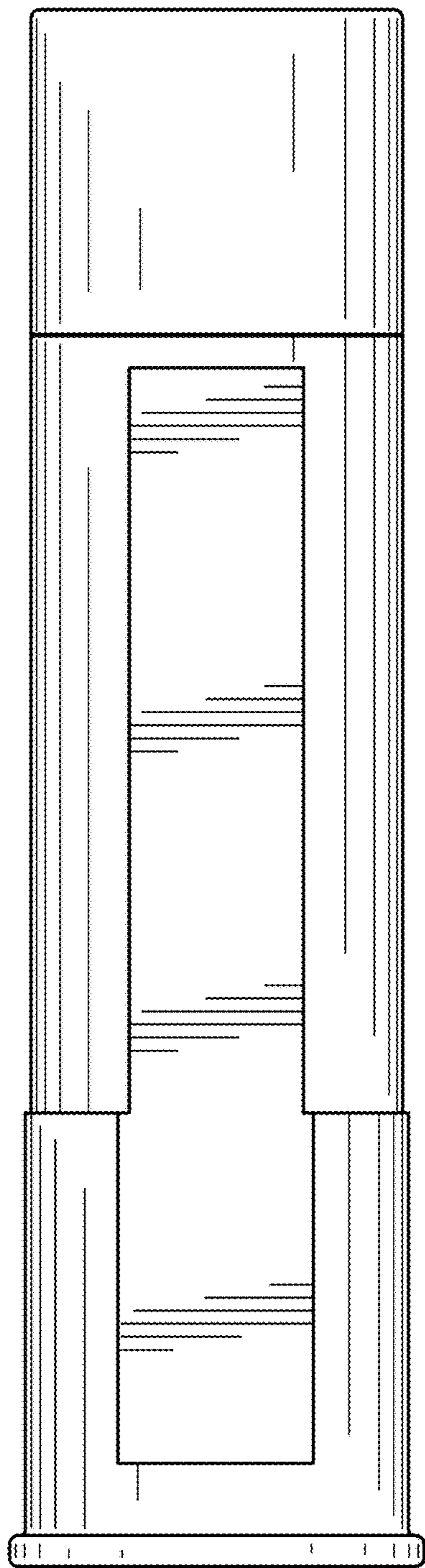


FIG. 5

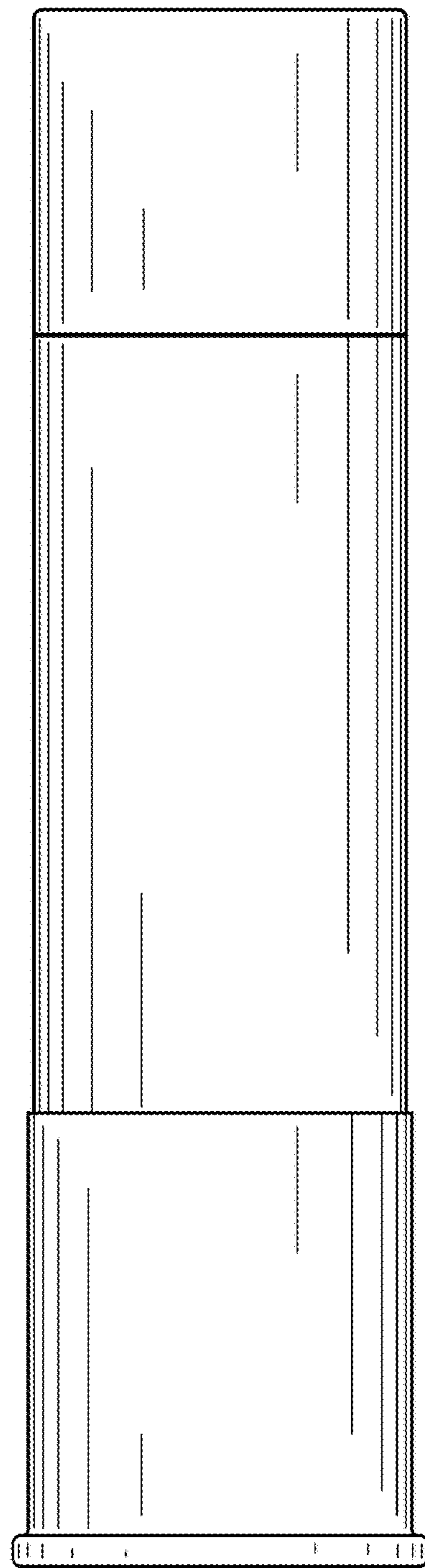


FIG. 6

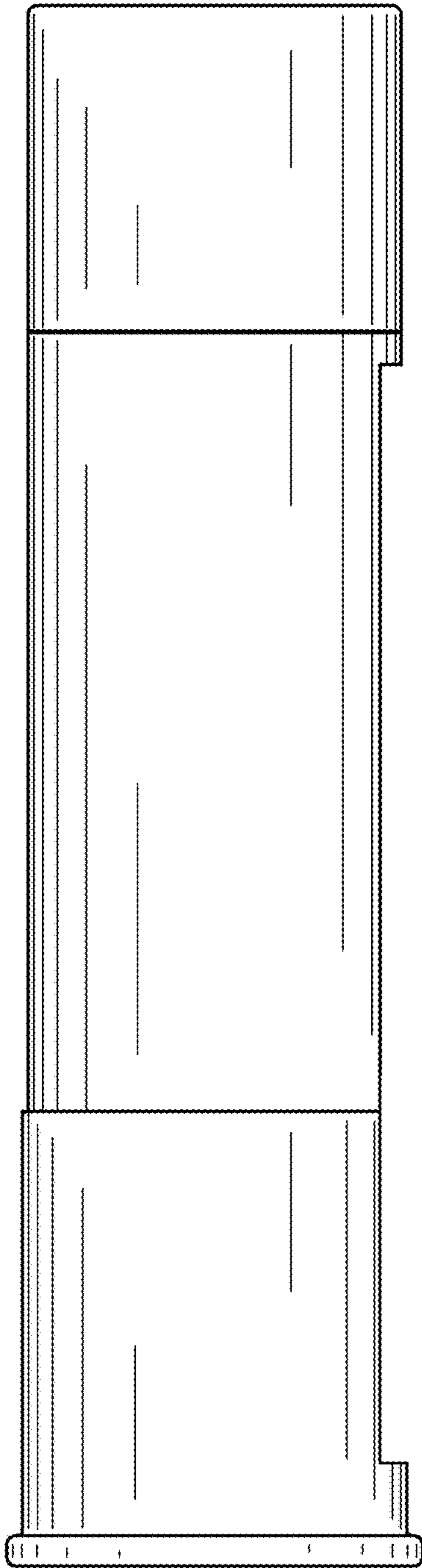


FIG. 7

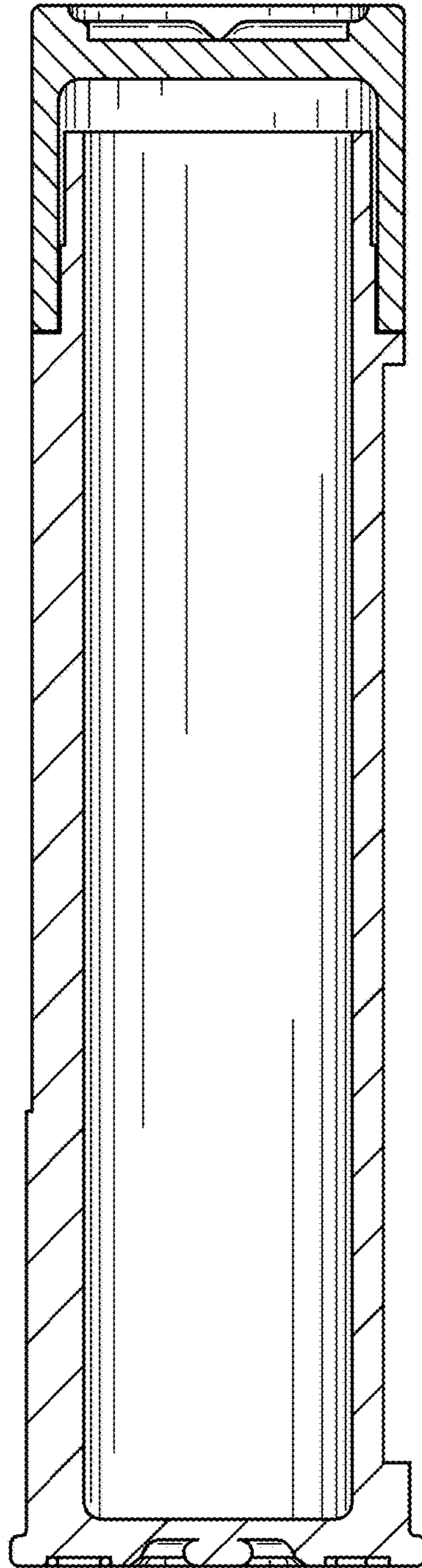


FIG. 8

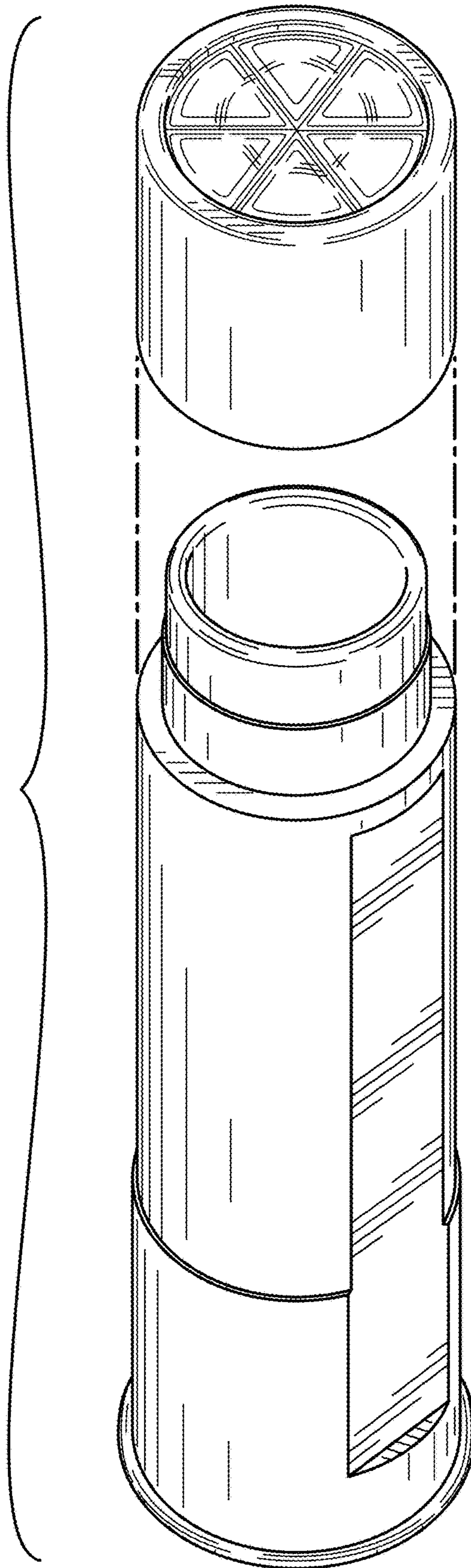


FIG. 9

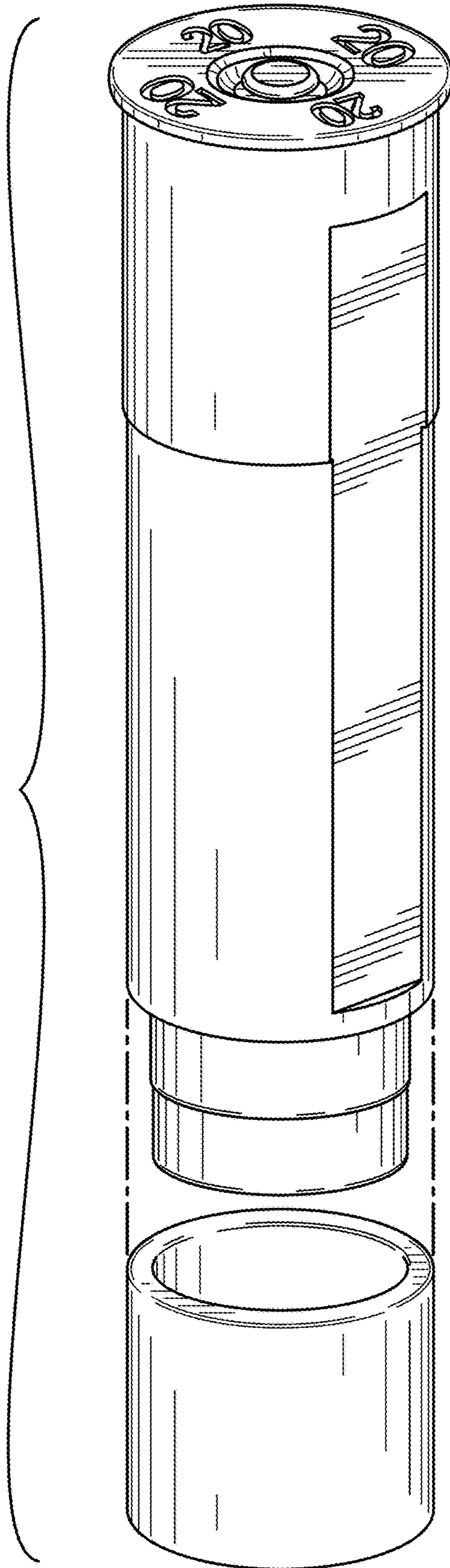


FIG. 10

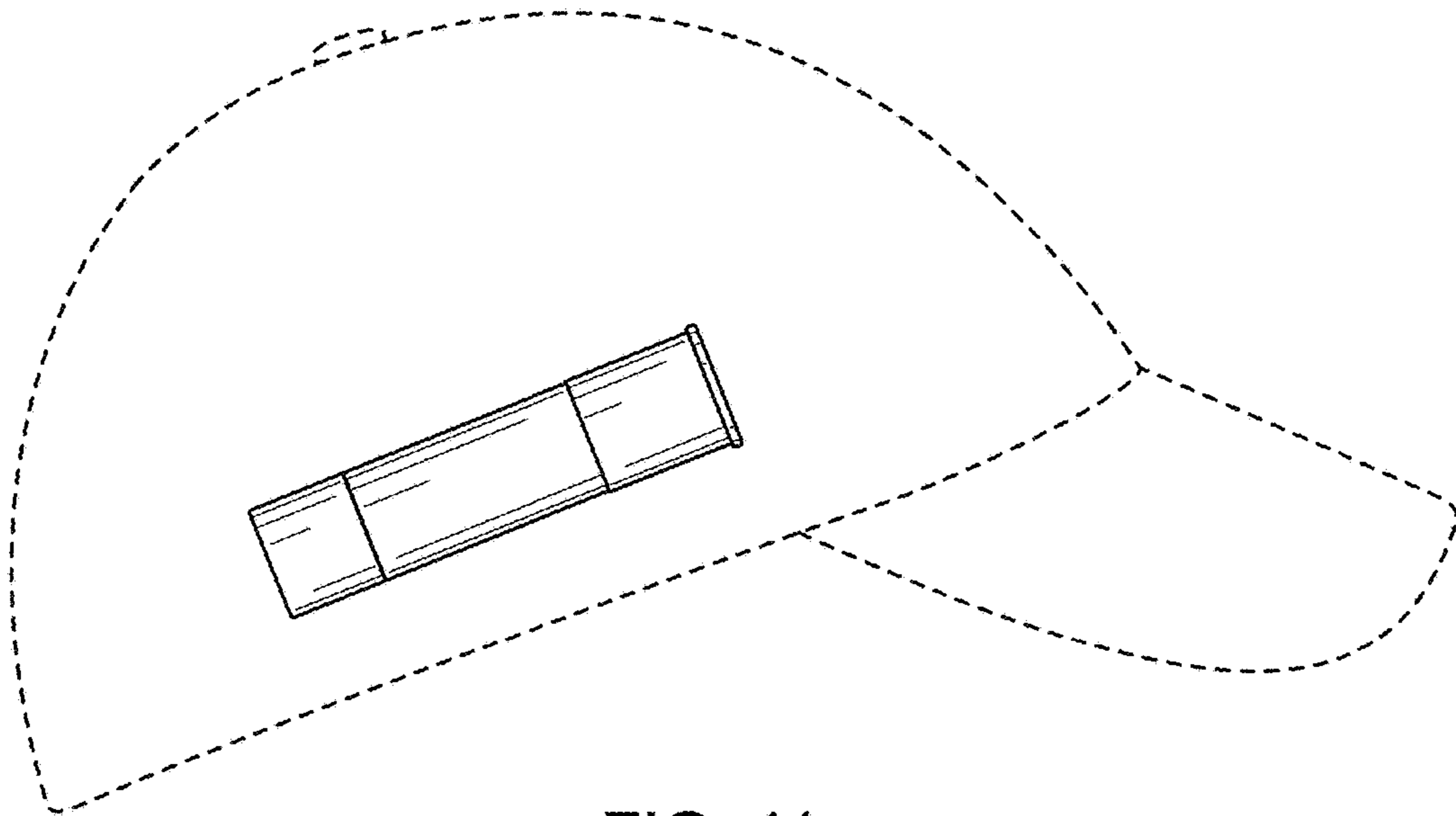


FIG. 11

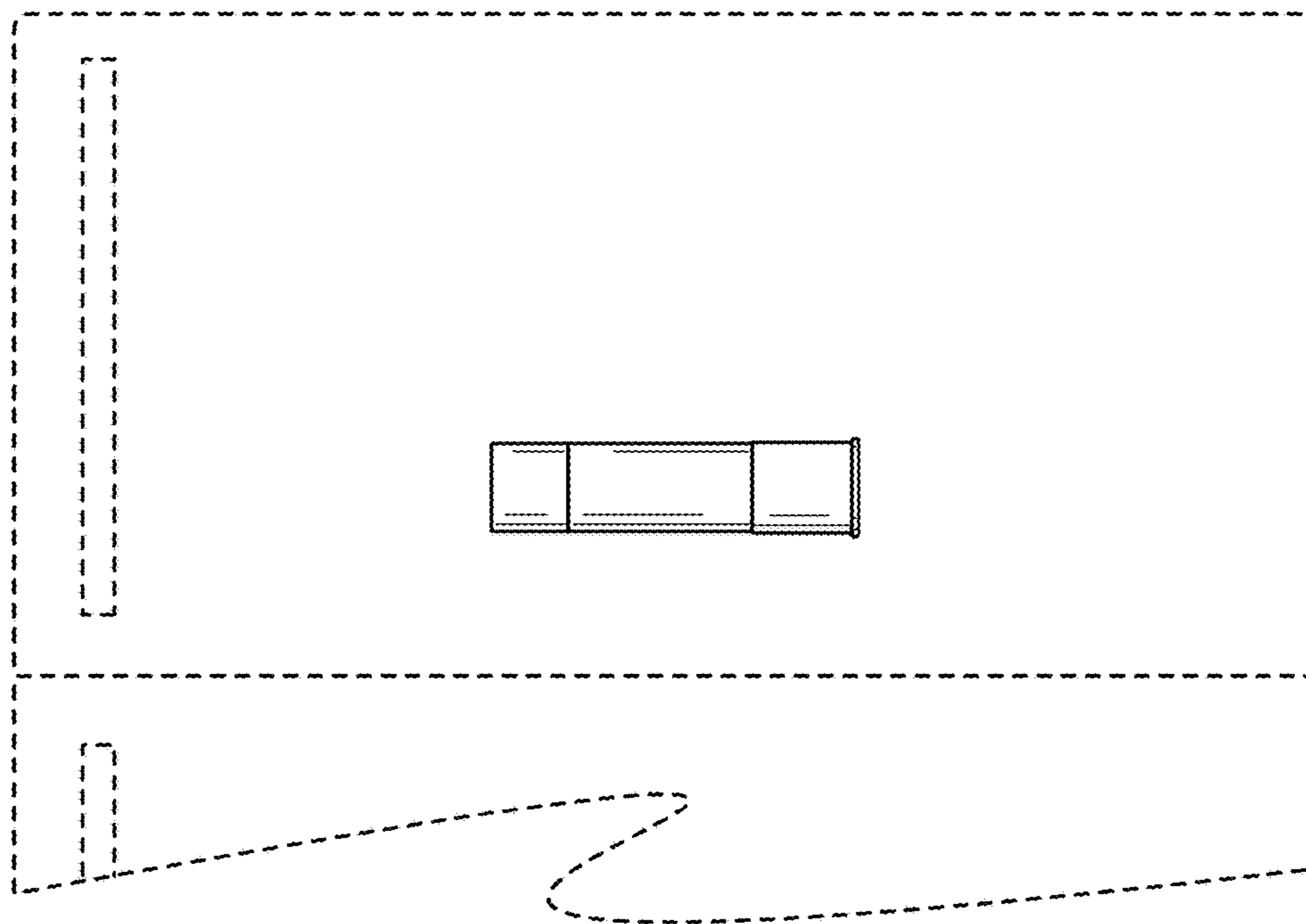


FIG. 12