



US00D801188S

(12) **United States Design Patent**
Treadwell

(10) **Patent No.:** **US D801,188 S**

(45) **Date of Patent:** **** Oct. 31, 2017**

(54) **SIMULATED 12-GAUGE SHOTGUN SHELL
NOVELTY CONTAINER**

D650,695 S * 12/2011 Talbott D22/116
D693,688 S * 11/2013 Russell D9/680
D703,060 S * 4/2014 Okulla D9/529
D764,308 S * 8/2016 De Lataillade D9/680
D771,500 S * 11/2016 De Lataillade D9/680

(71) Applicant: **Juanita Treadwell**, Mesita, CO (US)

(72) Inventor: **Juanita Treadwell**, Mesita, CO (US)

* cited by examiner

(**) Term: **15 Years**

Primary Examiner — Sandra Morris

(21) Appl. No.: **29/573,356**

(74) *Attorney, Agent, or Firm* — Bryan Cave LLP

(22) Filed: **Aug. 4, 2016**

(51) **LOC (10) Cl.** **09-01**

(52) **U.S. Cl.**
USPC **D9/680**; D9/529; D9/575; D9/454;
D22/116

(57) **CLAIM**

I claim the ornamental design for a simulated 12-gauge shotgun shell novelty container, as shown and described.

(58) **Field of Classification Search**

USPC D3/203.2, 270, 271.1–271.4; D7/510,
D7/514–520, 599, 601–602, 604,
D7/612–615, 619.2, 623, 628–629;
D9/600, 680, 500–516, 529, 549, 557,
D9/575, 451, 454; 206/457, 527, 531,
206/538; 215/381–384, 400; D22/116
CPC B65D 5/4258; B65D 81/60; B65D 81/365;
B65D 81/366; B65D 81/368; B65D
2203/00; B65D 2203/02

DESCRIPTION

See application file for complete search history.

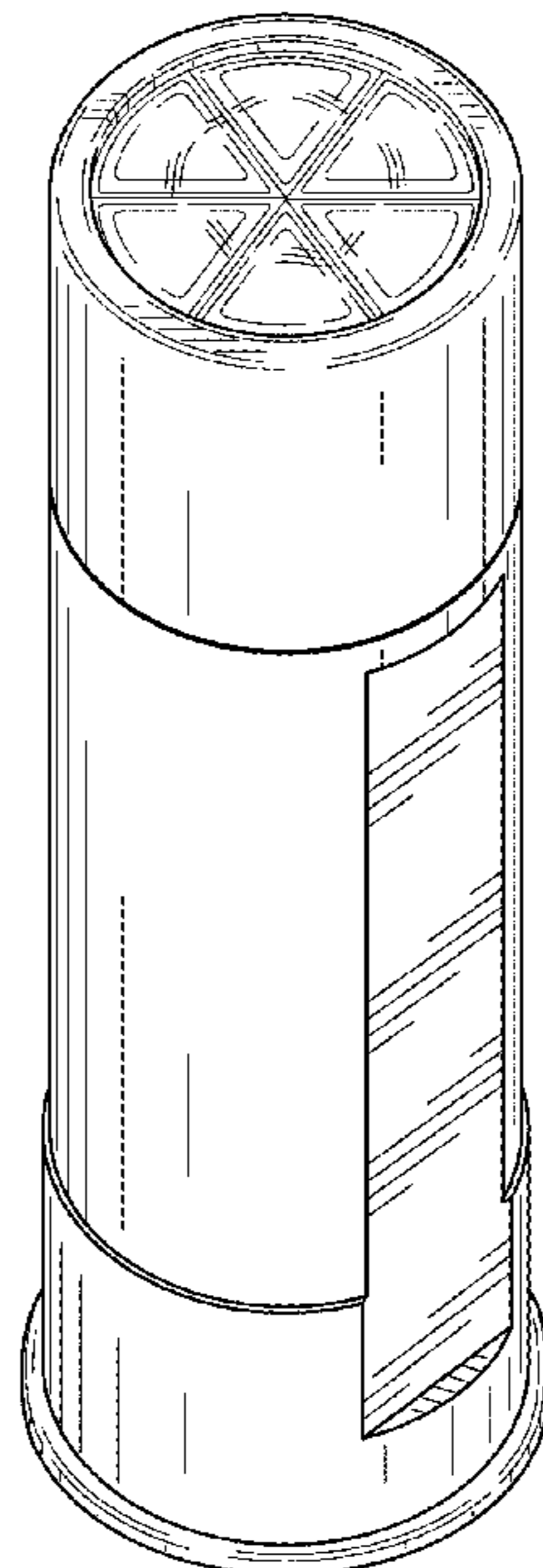
FIG. 1 is a perspective view of a simulated 12-gauge shotgun shell novelty container showing the new design; FIG. 2 is another perspective view thereof; FIG. 3 is a bottom view thereof; FIG. 4 is a top view thereof; FIG. 5 is a rear view thereof; FIG. 6 is a front view thereof; FIG. 7 is a side view thereof, the opposite side view being a mirror image; FIG. 8 is a cutaway side view thereof, the opposite cutaway side view being a mirror image; FIG. 9 is an exploded perspective view thereof; FIG. 10 is another exploded perspective view thereof; FIG. 11 is a front view showing the design of FIG. 1 in an environment of use; and, FIG. 12 is a front view showing the design of FIG. 1 in an alternate environment of use. The broken lines in FIGS. 11-12 illustrate environmental structure and form no part of the claimed design.

(56) **References Cited**

U.S. PATENT DOCUMENTS

D204,608 S * 5/1966 Sobolewski D22/116
D354,909 S * 1/1995 Blanche D9/529
D384,859 S * 10/1997 Cundieff D7/515
D415,547 S * 10/1999 Klima, Jr. D22/116
D435,626 S * 12/2000 Benini D22/116
D535,476 S * 1/2007 Pennington D3/271.1
D641,639 S * 7/2011 Kraff D9/680
D641,640 S * 7/2011 Kraff D9/680

1 Claim, 7 Drawing Sheets



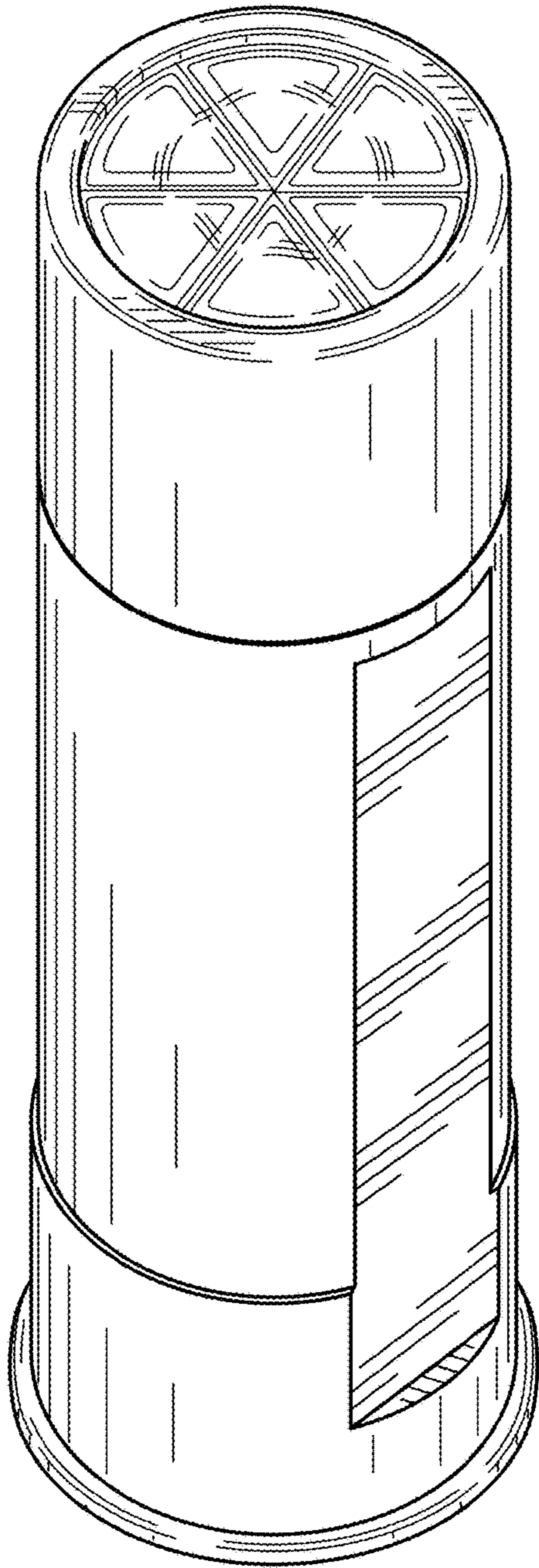


FIG. 1

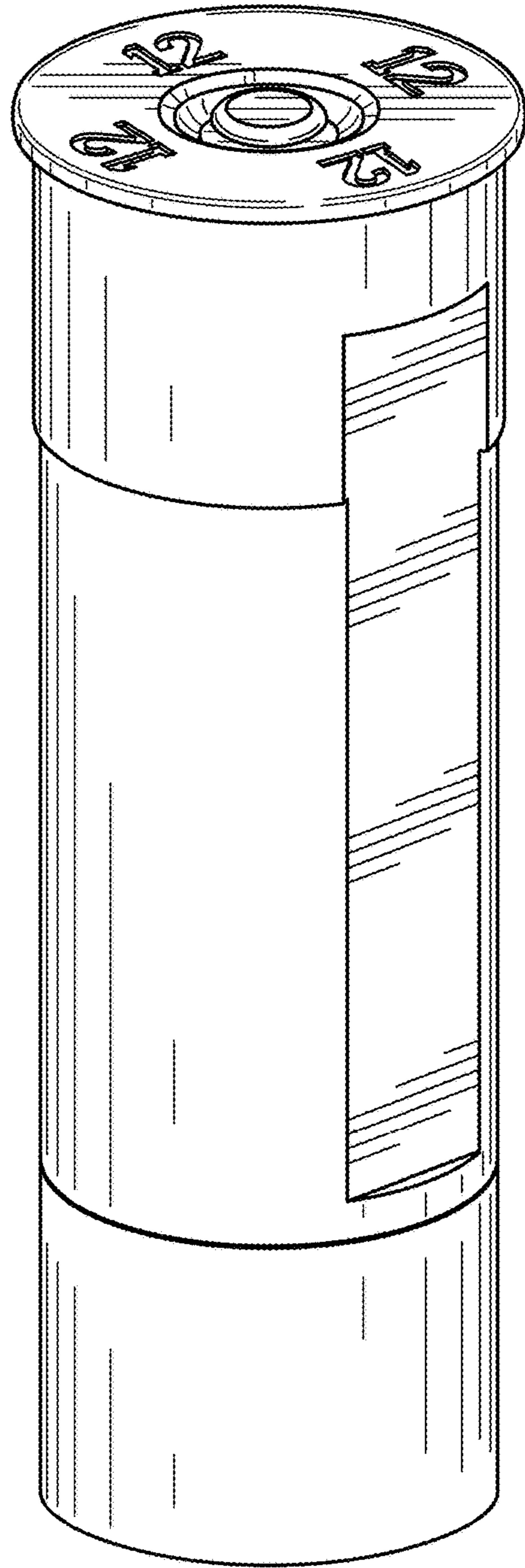


FIG. 2

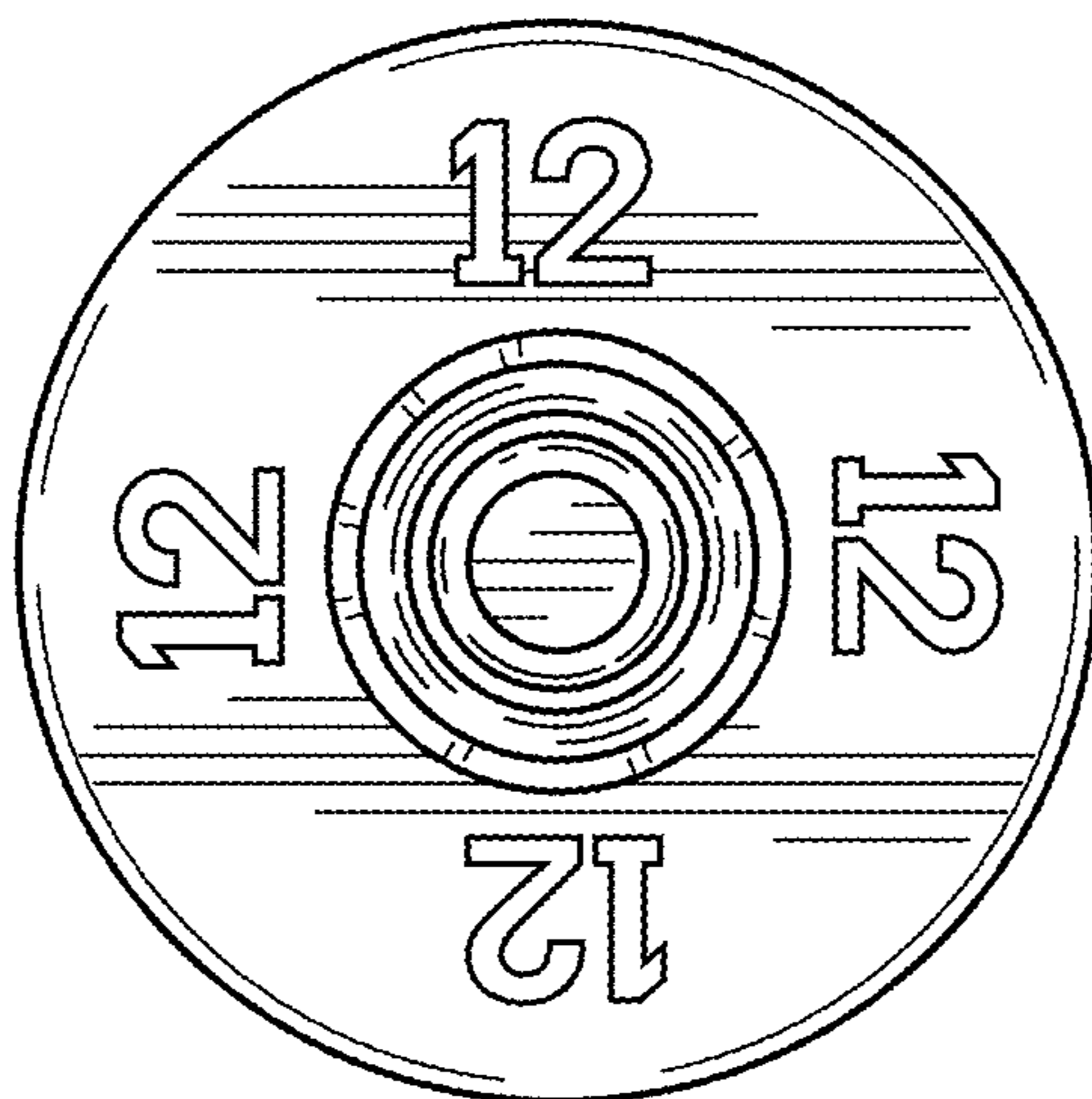


FIG. 3

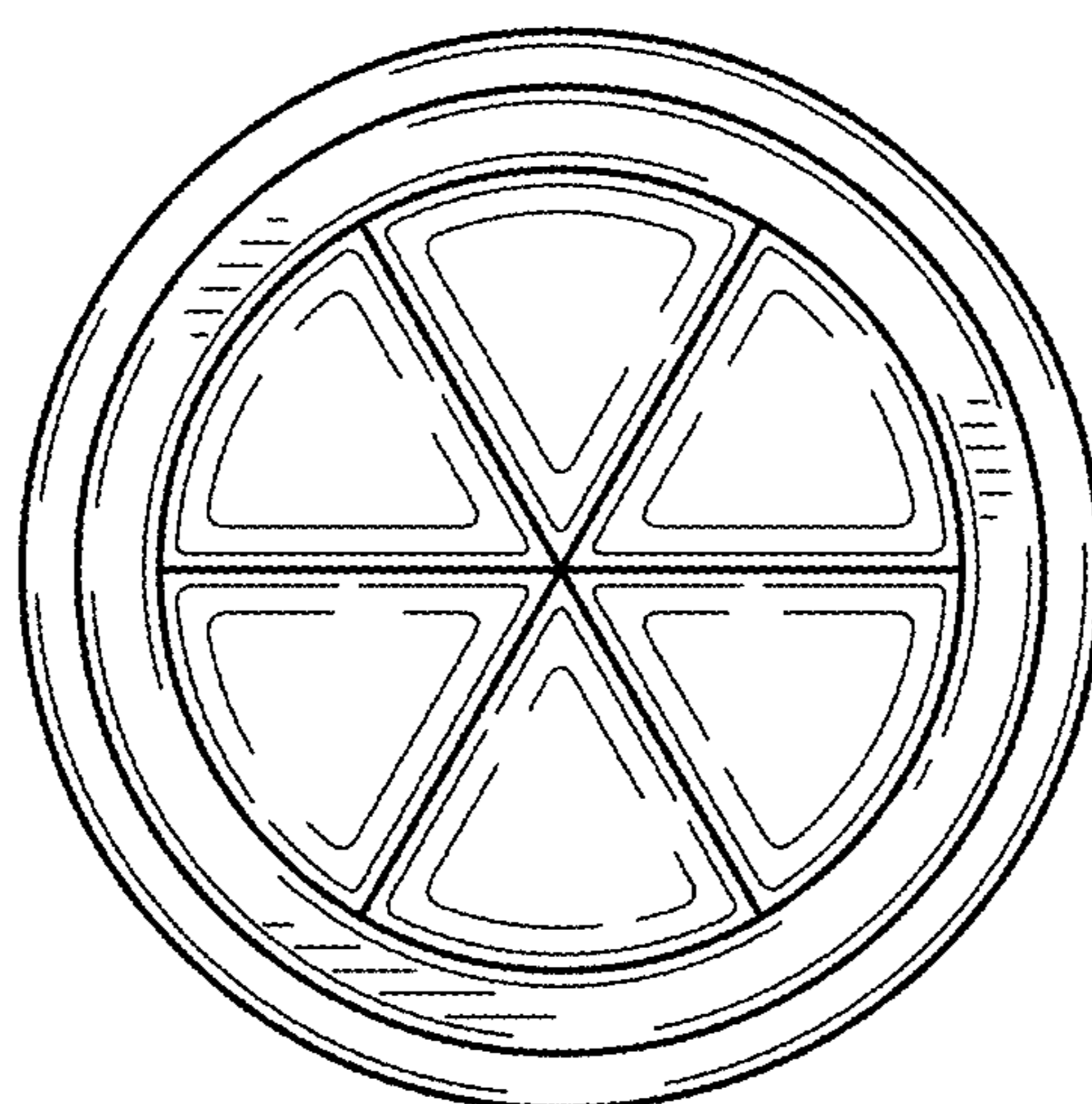


FIG. 4

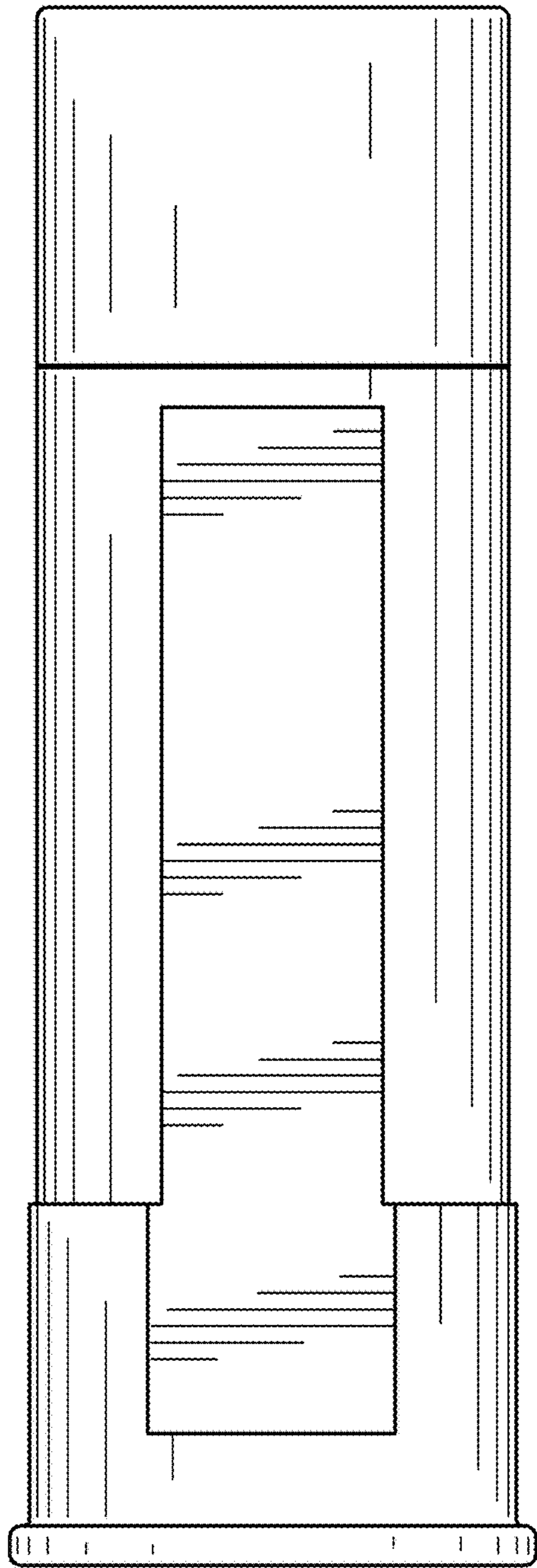


FIG. 5

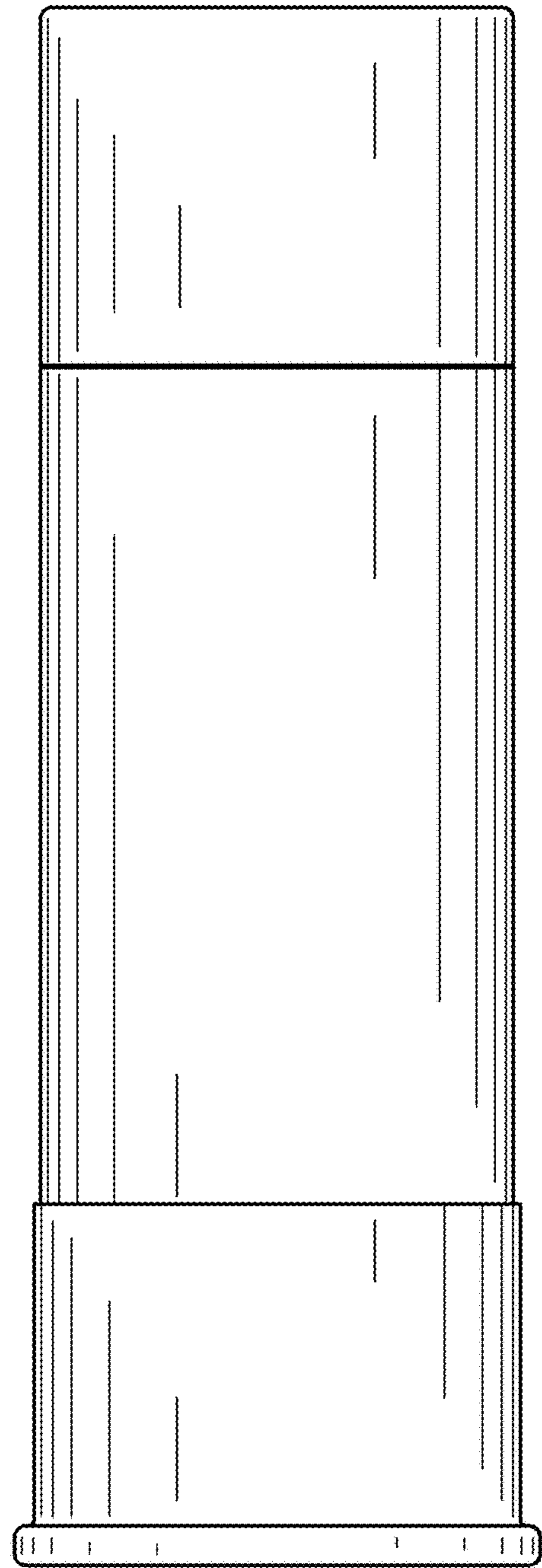


FIG. 6

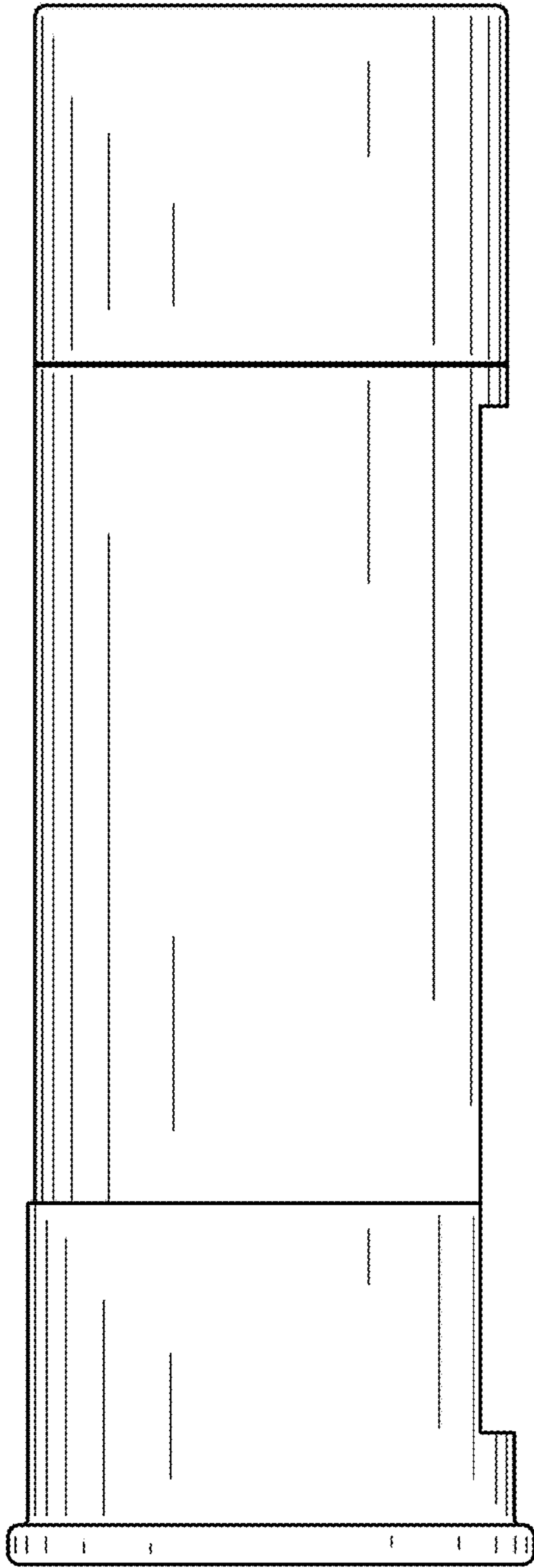


FIG. 7

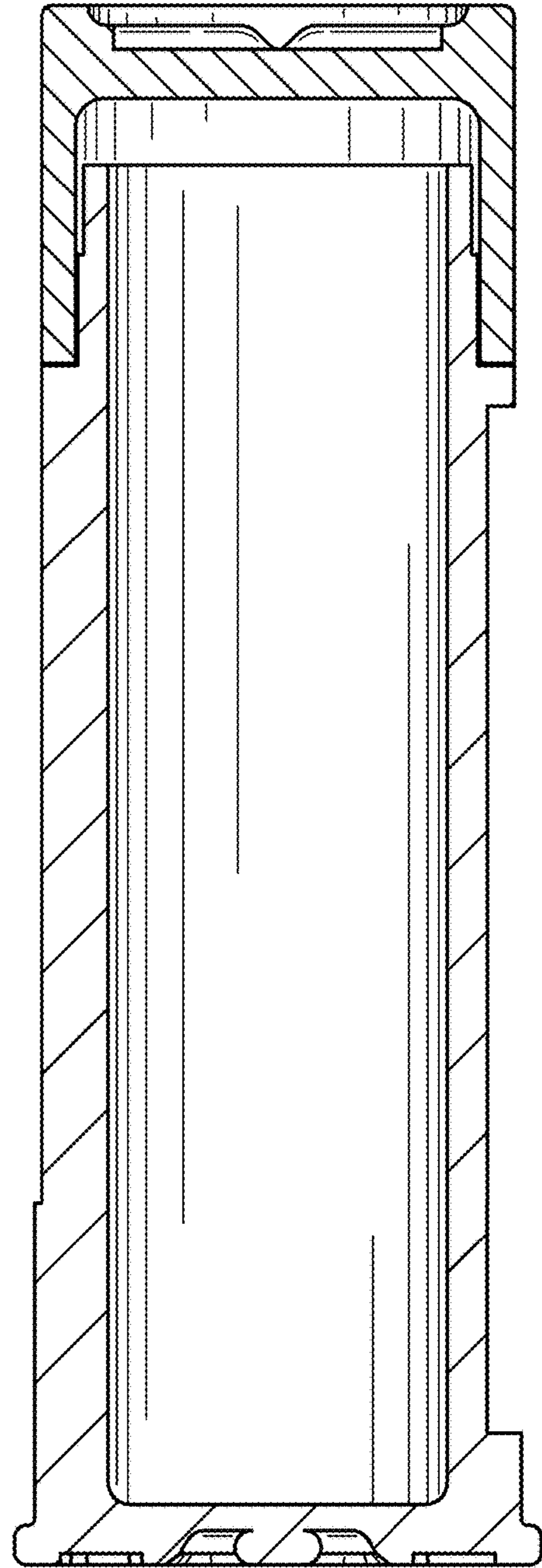


FIG. 8

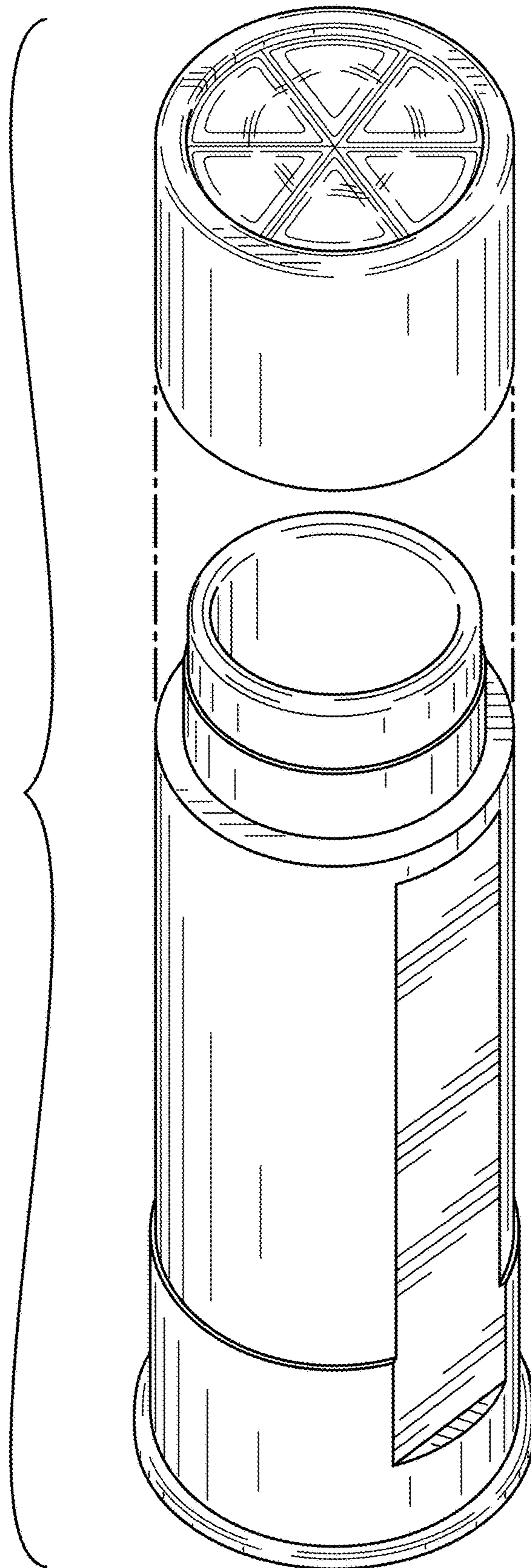


FIG. 9

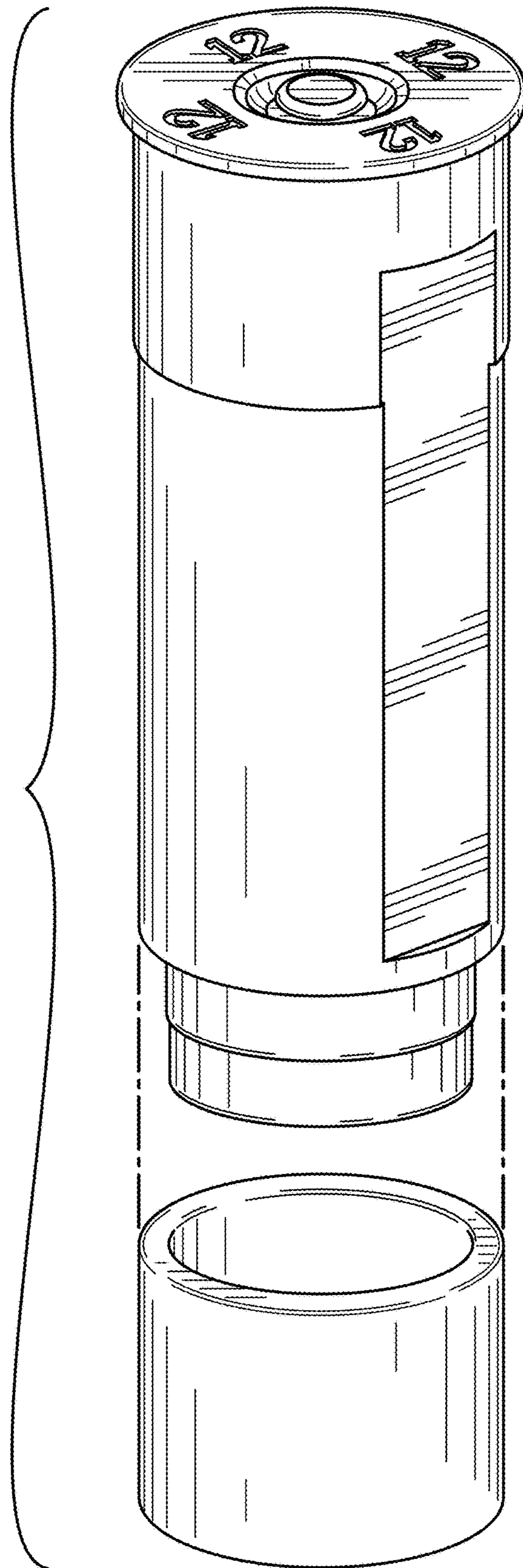


FIG. 10

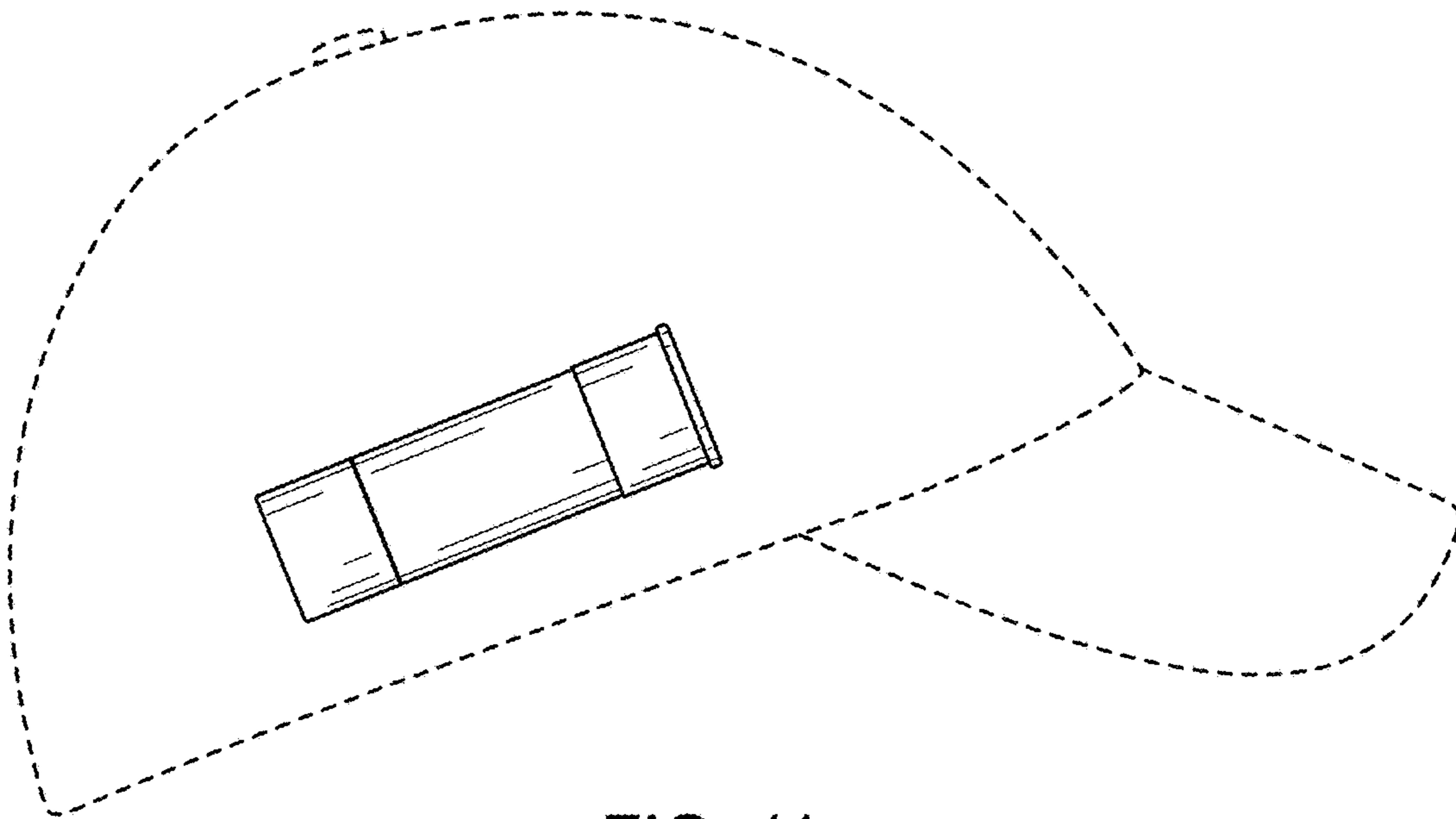


FIG. 11

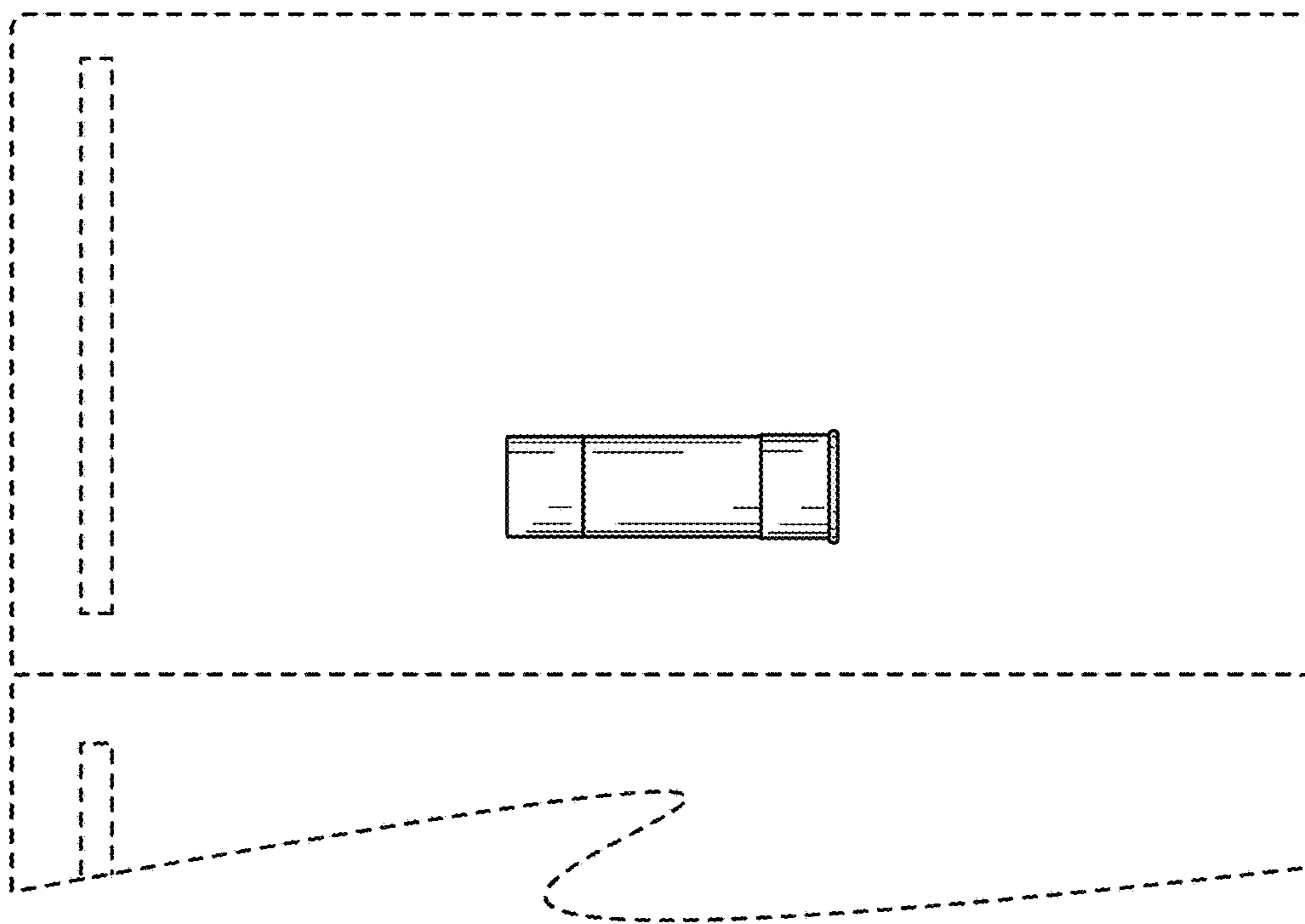


FIG. 12