



US00D801187S

(12) **United States Design Patent**  
**Matalon**

(10) **Patent No.:** **US D801,187 S**

(45) **Date of Patent:** **\*\* Oct. 31, 2017**

(54) **BOTTLE FOR COSMETICS**

(71) Applicant: **REVOLUTION BY MATALON**  
**COPENHAGEN APS**, Hellerup (DK)

(72) Inventor: **Michael Balkin Matalon**, Hellerup  
(DK)

(\*\*) Term: **15 Years**

(21) Appl. No.: **35/501,231**

(22) Filed: **Jan. 19, 2016**

(80) **Hague Agreement Data**

Int. Filing Date: **Jan. 19, 2016**  
Int. Reg. No.: **DM/089147**  
Int. Reg. Date: **Jan. 19, 2016**  
Int. Reg. Pub. Date: **Jul. 22, 2016**

(51) **LOC (10) Cl.** ..... **09-01**

(52) **U.S. Cl.**  
USPC ..... **D9/652; D9/545**

(58) **Field of Classification Search**  
USPC ..... D9/434, 435, 444, 500, 503, 516, 519,  
D9/545, 549, 550, 558, 575, 652;  
215/381-385; 220/660, 669, 675  
CPC ... B65D 1/00; B65D 1/02; B65D 1/12; B65D  
1/14; B65D 1/40; B65D 1/44; B65D  
1/023; B65D 1/0223; B65D 1/165; B65D  
1/238; B65D 1/246; B65D 1/253; B65D  
7/04; B65D 21/0209; B65D 21/0233;  
B65D 25/00; B65D 25/28; B65D  
41/0457; B65D 41/17; B65D 53/06;  
B65D 75/56; B65D 79/005; B65D  
2501/0036; B65D 2543/00064; B65D  
2543/00074; B65D 2543/00083; B65D  
2543/00092; B65D 2543/00101; B65D  
2543/00111

See application file for complete search history.

(56) **References Cited**

U.S. PATENT DOCUMENTS

D81,618 S *	7/1930	Blunt .....	D9/652
D391,486 S *	3/1998	Baron .....	D9/516
D425,785 S *	5/2000	Hirato .....	D9/504
D449,777 S *	10/2001	Vignon .....	D9/504
D546,690 S *	7/2007	Rashid .....	D9/522
D616,307 S *	5/2010	Legros .....	D9/435
D653,547 S *	2/2012	Canuto .....	D9/519
D715,157 S *	10/2014	In .....	D9/691
D717,173 S *	11/2014	Wechsler .....	D9/435
D719,446 S *	12/2014	Ponomarenko .....	D9/500
D722,880 S *	2/2015	DeMarco .....	D9/529
D768,495 S *	10/2016	Staab .....	D9/452
2007/0125804 A1 *	6/2007	Thomson .....	B05B 11/00 222/251

\* cited by examiner

*Primary Examiner* — Keli L Hill

(57) **CLAIM**

The ornamental design for a bottle for cosmetics, as shown and described.

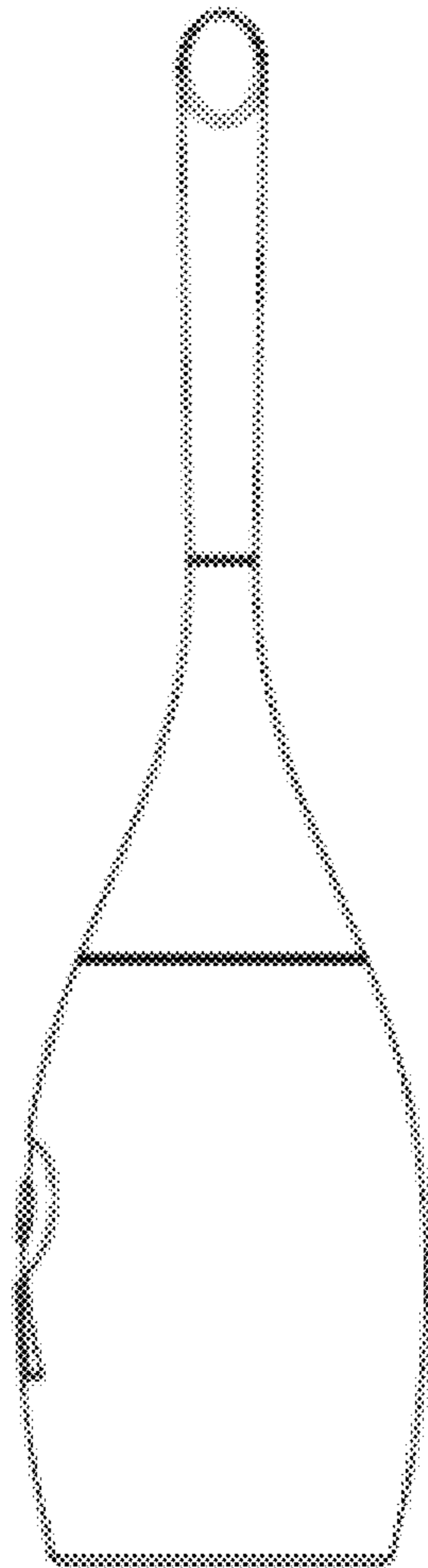
**DESCRIPTION**

1. Bottle for cosmetics
- 1.1 is a front elevation view.
- 1.2 is a side elevation view.
- 1.3 is a rear elevation view.
- 1.4 is a top, front and side perspective view.
- 1.5 is a top plan view.
- 1.6 is a bottom plan view.
- 1.7 is an exploded top, front and side perspective view.

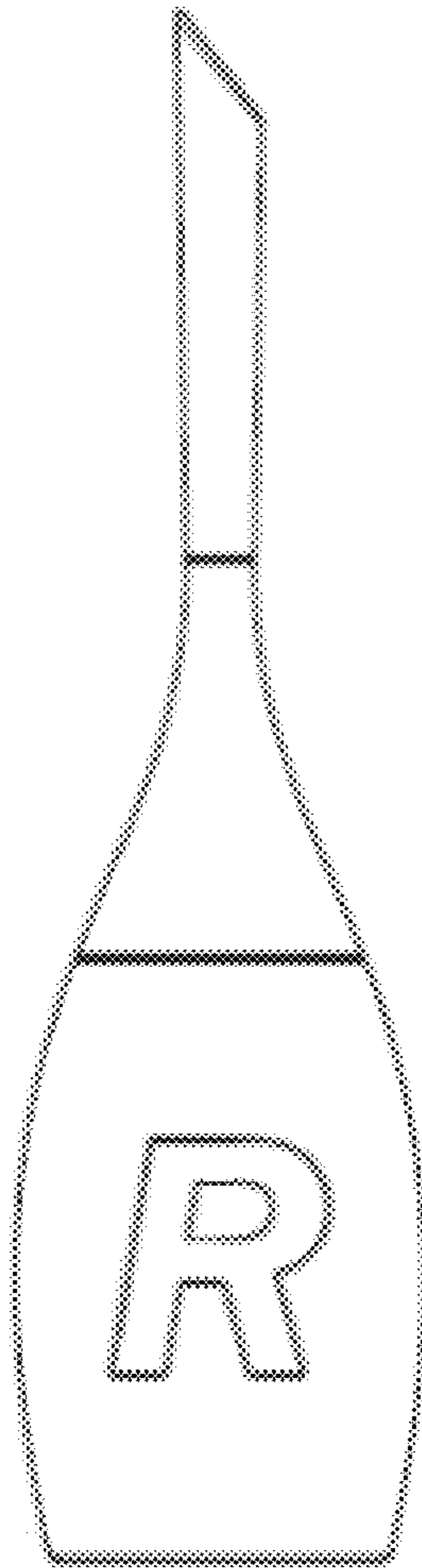
**1 Claim, 7 Drawing Sheets**



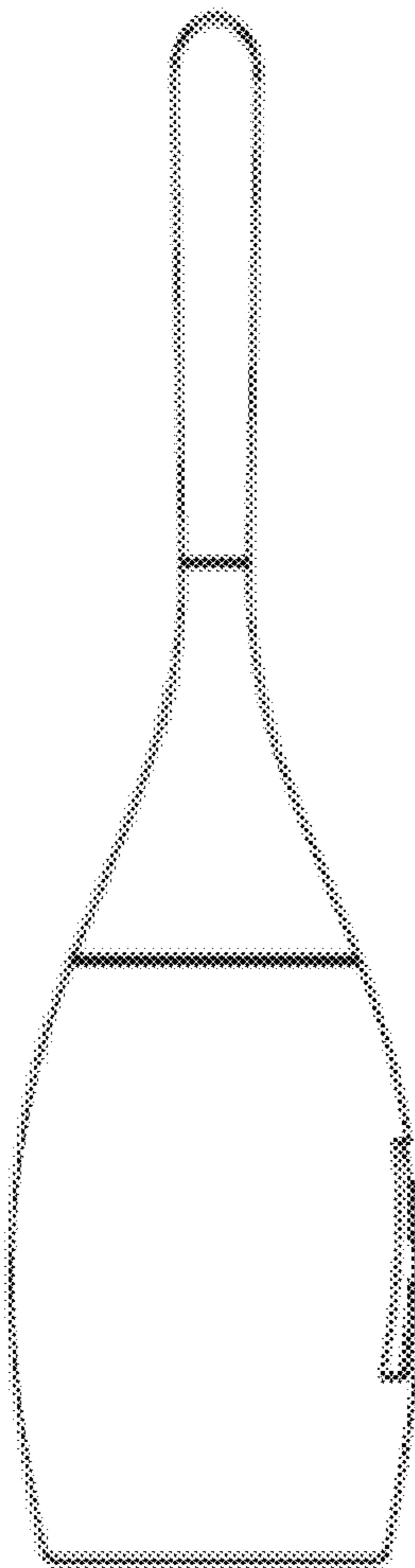
**1.1**



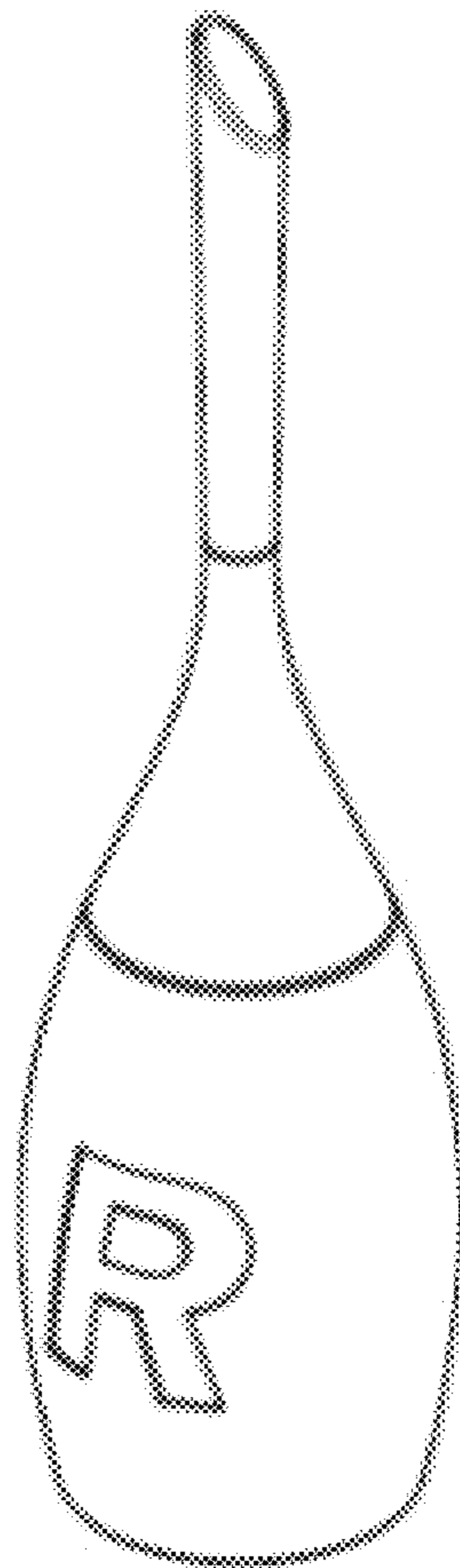
# 1.2



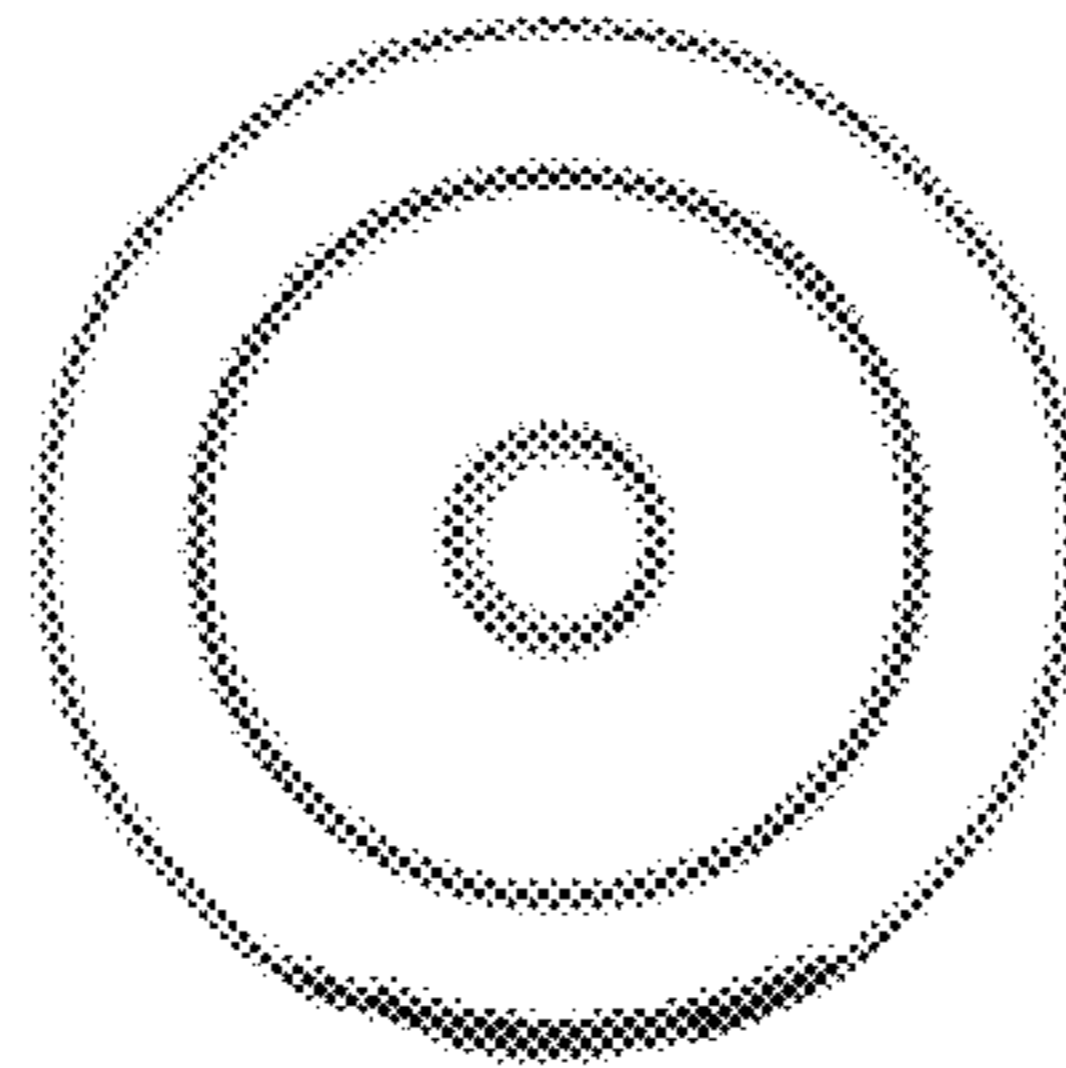
**1.3**



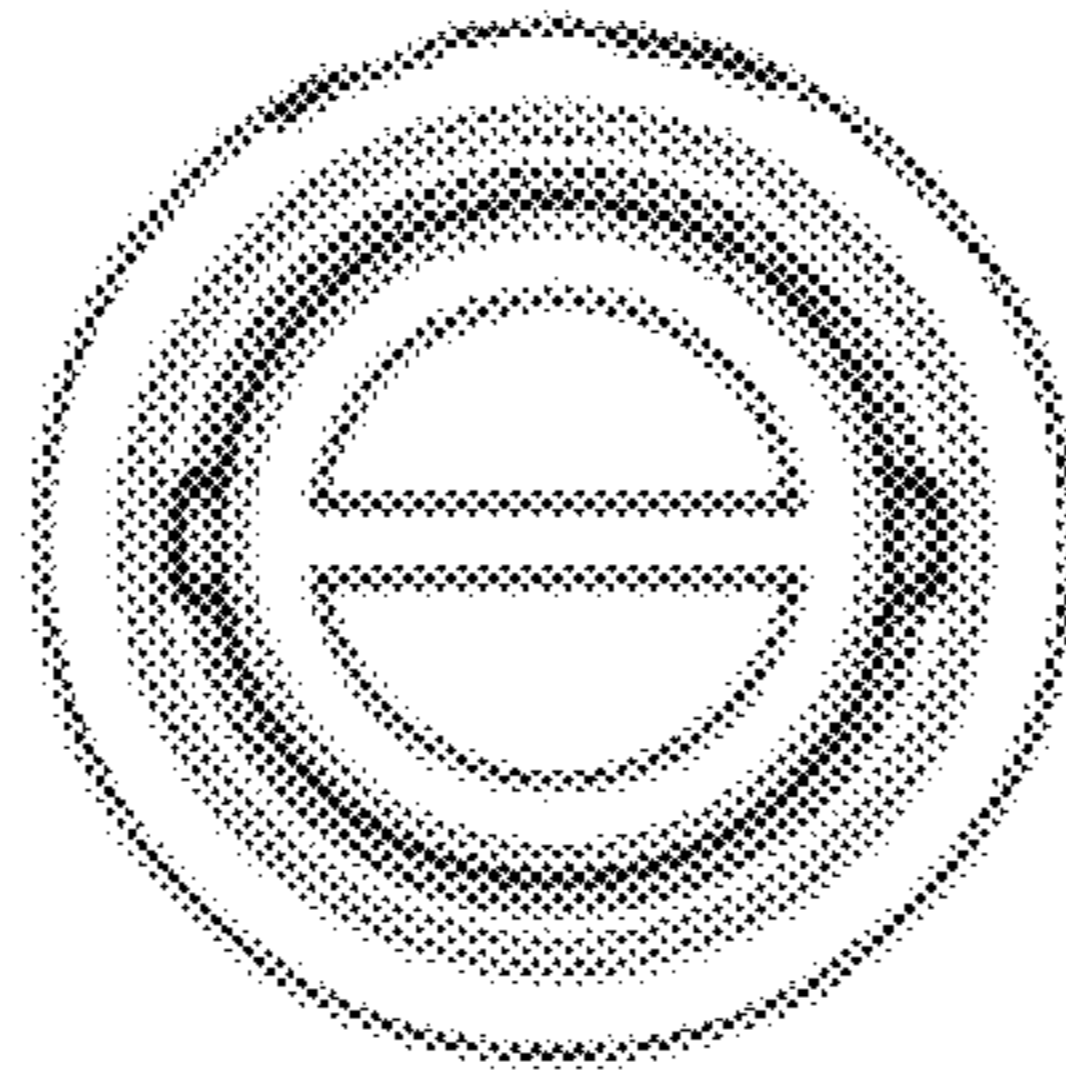
**1.4**



**1.5**



**1.6**



1.7

