



US00D801176S

(12) **United States Design Patent** (10) **Patent No.:** **US D801,176 S**
Lynd et al. (45) **Date of Patent:** **** Oct. 31, 2017**

(54) **CONTAINER COVER**
(71) Applicant: **Partners in Packaging, LLC**,
Lancaster, OH (US)
(72) Inventors: **L. Grant Lynd**, Lancaster, OH (US);
Robert Heath, Lancaster, OH (US)
(73) Assignee: **Partners in Packaging, LLC**,
Lancaster, OH (US)

D227,749 S 7/1973 Plummer
D257,930 S 1/1981 Conti
D268,394 S * 3/1983 MacEwen D9/454
D292,674 S 11/1987 Morris et al.
D294,680 S 3/1988 Pappert
D309,568 S 7/1990 Beton
D309,690 S 8/1990 Carlson
D312,778 S 12/1990 Tacconelli
5,048,705 A 9/1991 Lynd et al.
D339,027 S * 9/1993 Mack D7/391
D357,322 S 4/1995 Matthews
(Continued)

(**) Term: **15 Years**

FOREIGN PATENT DOCUMENTS

(21) Appl. No.: **29/574,487**
(22) Filed: **Aug. 16, 2016**
(51) **LOC (10) Cl.** **09-07**
(52) **U.S. Cl.**
USPC **D9/454**
(58) **Field of Classification Search**
USPC D9/414, 417, 428, 432, 434, 435,
D9/443-450, 452-456, 499, 682-685;
D7/387, 392, 392.1, 393, 396.1-396.4,
D7/398, 401.1, 507, 509-511, 538, 900;
D3/202, 294, 318; D28/91.1
CPC .. A61J 1/00; A61J 1/1412; B65D 1/00; B65D
1/02; B65D 1/10; B65D 1/46; B65D
2585/56; B65D 2585/545; B65D 41/00;
B65D 41/38; B65D 41/56; B65D 41/62;
B65D 47/00; B65D 47/06; B65D 47/08;
B65D 2543/00046; B65D 2543/00092;
B65D 2543/00296; B65D 5/46; B65D
2251/00

CA 114304 10/2007
JP D1463249 2/2013
KR 300609073.0001 8/2011

OTHER PUBLICATIONS

Red and Orange Peppers in a Glass Bottle for Decoration Over
White Background Isolated, A Lot of Copyspace Available,
Announced Dec. 6, 2010, [Site Visited May 6, 2015] <http://www.shutterstock.com/pic-64388404/stock-photo-red-and-orange-peppers-in-a-glass-bottle-for-decoration-over-white-background-isolated-a-lot.html>.

(Continued)

Primary Examiner — Karen S Acker
Assistant Examiner — Wendy Arminio
(74) *Attorney, Agent, or Firm* — Standley Law Group
LLP

(57) **CLAIM**

The ornamental design for a container cover, as shown and described.

See application file for complete search history.

(56) **References Cited**

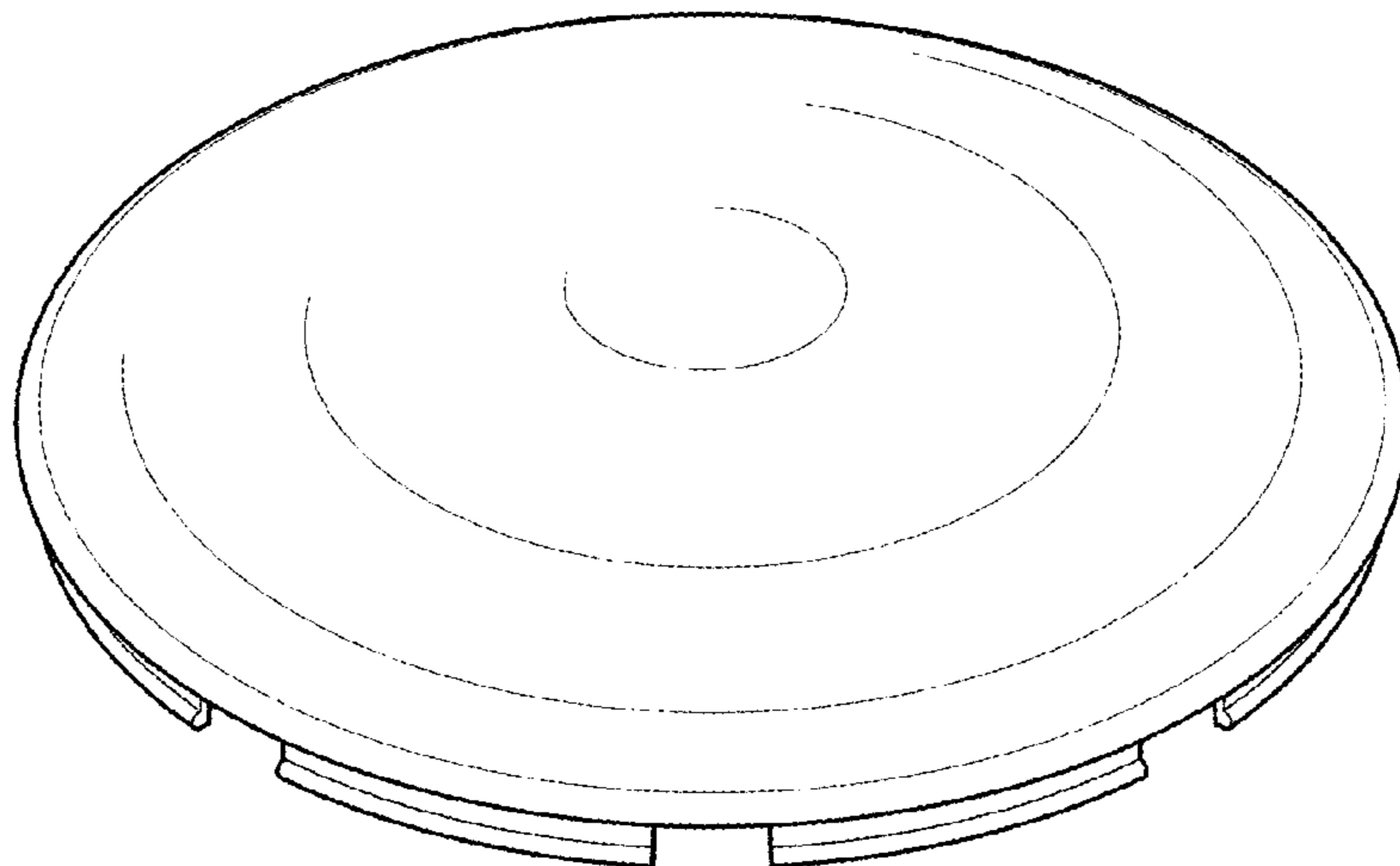
U.S. PATENT DOCUMENTS

D23,144 S 12/1893 Johnson
D42,042 S 12/1911 Edlund
D86,816 S 8/1931 Von Till
D172,869 S 8/1954 Du Pree
3,315,830 A 4/1967 Flynn
D209,789 S 1/1968 Heston

DESCRIPTION

FIG. 1 is a top perspective view of the container cover;
FIG. 2 is a side elevation view thereof;
FIG. 3 is a top plan view thereof; and,
FIG. 4 is a bottom plan view thereof.

1 Claim, 1 Drawing Sheet



(56)

References Cited

U.S. PATENT DOCUMENTS

D368,222 S 3/1996 Hoefler
 D374,822 S * 10/1996 Philips D7/392.1
 D387,993 S 12/1997 Workman et al.
 D388,327 S 12/1997 Radosevich
 D403,586 S 1/1999 Bakic
 D405,532 S 2/1999 Melendez
 D411,457 S 6/1999 Ruda et al.
 D414,694 S 10/1999 Richter
 D424,940 S 5/2000 Degnen
 D438,977 S 3/2001 Khalaj
 D443,040 S * 5/2001 Fabian D23/249
 D457,433 S * 5/2002 Costanzo D9/454
 D466,015 S 11/2002 Faucon
 D480,633 S 10/2003 Miranda
 D495,599 S 9/2004 Biesecker
 D503,886 S 4/2005 Biesecker
 D509,110 S 9/2005 Vovan
 D512,310 S 12/2005 Hite
 D536,614 S 2/2007 Peterson et al.
 D564,879 S 3/2008 Baughman
 D582,781 S 12/2008 Miller
 D585,280 S * 1/2009 Stuart D9/454
 D597,840 S 8/2009 Biesecker et al.
 D603,704 S 11/2009 Jost et al.
 D630,897 S * 1/2011 Jarvis D7/407
 D639,442 S 6/2011 Chandler

D641,631 S 7/2011 Kawahara et al.
 D645,358 S 9/2011 de Monclin
 D653,948 S 2/2012 Azar
 D658,935 S 5/2012 Luppino et al.
 D673,858 S 1/2013 Horio
 D717,170 S 11/2014 Tan
 D725,688 S 3/2015 Kile
 D735,033 S 7/2015 Lynd et al.
 D748,472 S * 2/2016 Seybel D9/434
 D748,594 S * 2/2016 Takagi D13/182
 D751,393 S 3/2016 Lynd et al.
 D751,399 S 3/2016 Lynd et al.
 D756,222 S * 5/2016 Lopez D23/260
 D759,483 S * 6/2016 Jalet D9/443
 D763,083 S * 8/2016 Seybel D9/454
 D773,296 S 12/2016 Lynd et al.
 D774,392 S * 12/2016 Broad D9/434

OTHER PUBLICATIONS

Naturally Me Creations: Crafty Recycling: Vitamin Container to Gift Box, Announced Dec. 19, 2011, [Site Visited May 6, 2015] <http://naturallymecreatinos.blogspot.com/2011/12/crafty-recycling-vitamin-container-to.html>.
 Glass Storage Jar, Wood Lid Large, procook.com, 9 pages. Found online Apr. 7, 2016 at <https://www.procook.com.uk/product/procook-glass-storage-jar-wood-lid-large>.

* cited by examiner

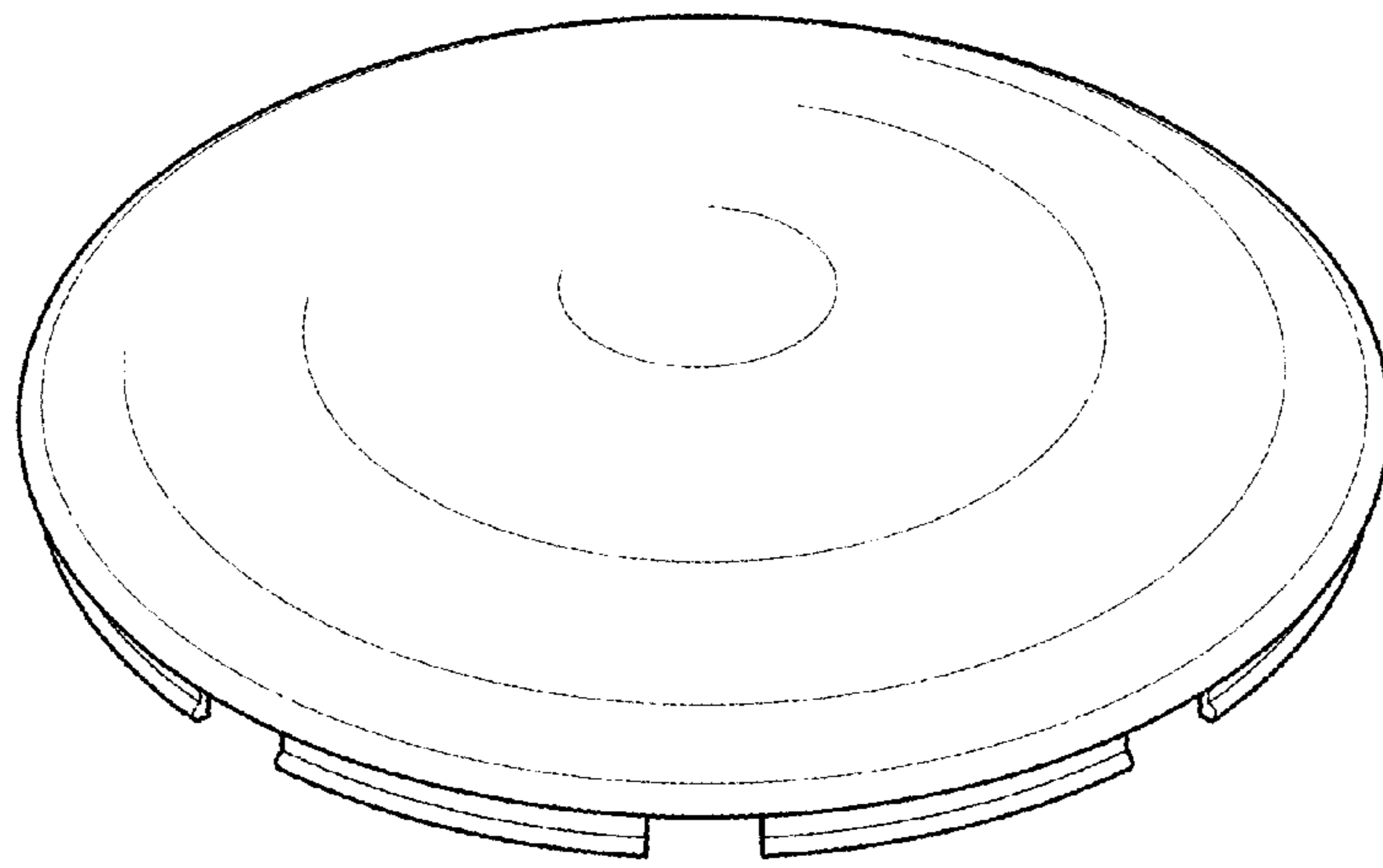


Fig. 1

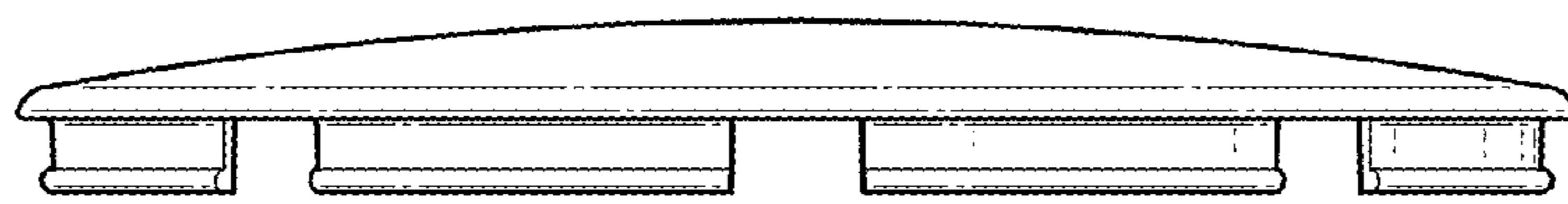


Fig. 2

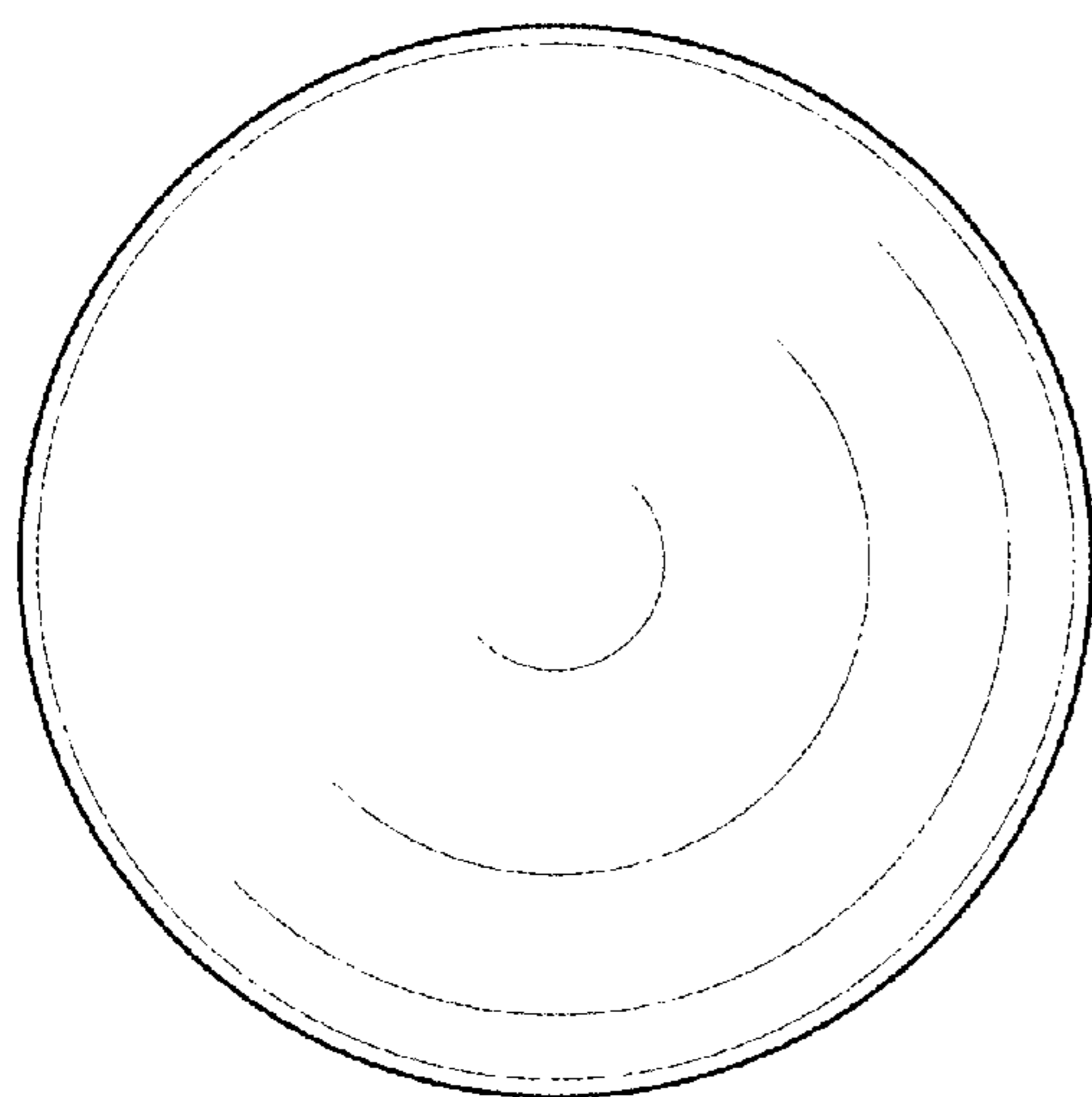


Fig. 3

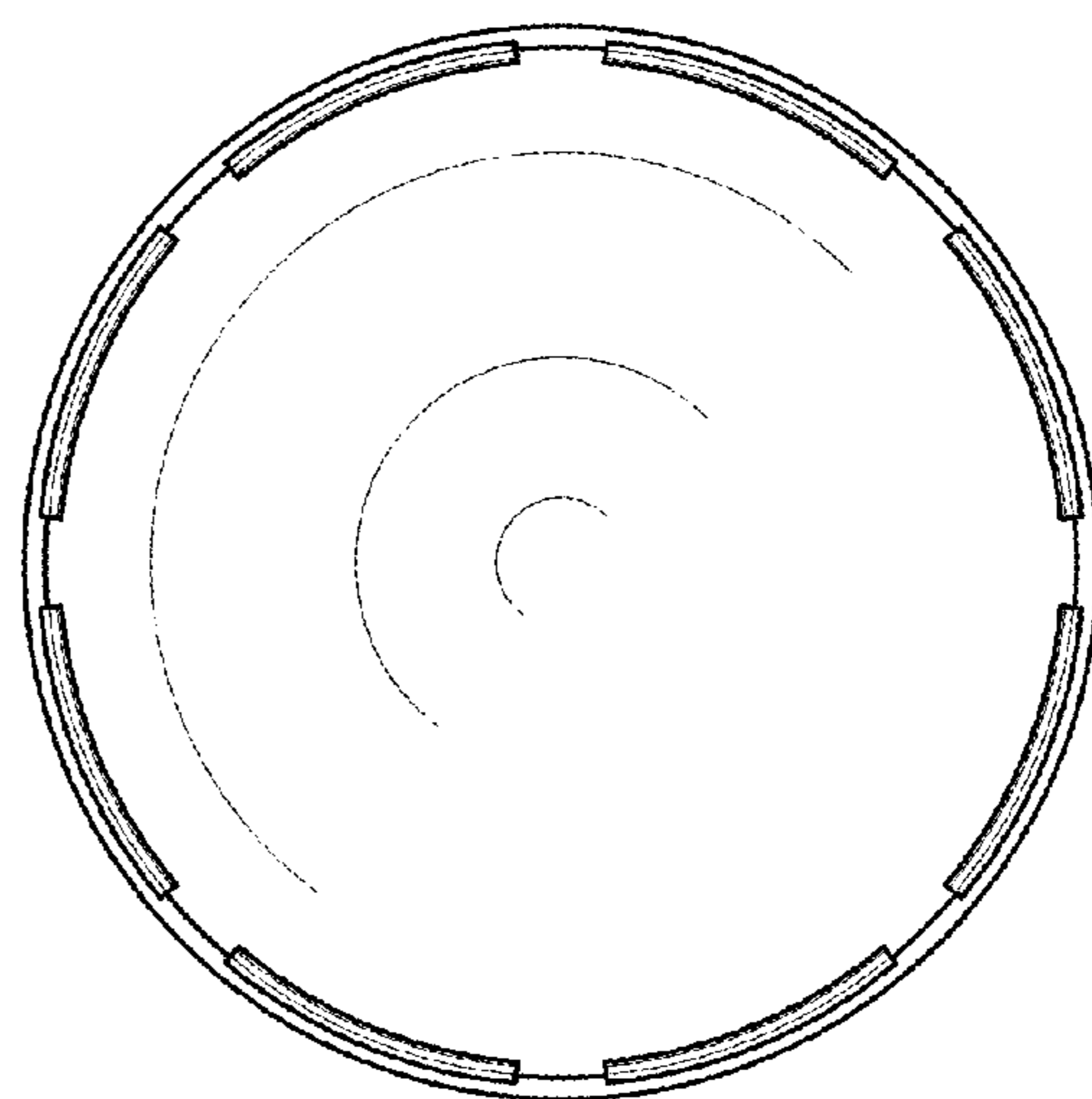


Fig. 4