



US00D801175S

(12) **United States Design Patent** (10) **Patent No.:** **US D801,175 S**
Henige et al. (45) **Date of Patent:** **** Oct. 31, 2017**

(54) **CAP FOR CONTAINER**
(71) Applicant: **L. Perrigo Company**, Allegan, MI (US)
(72) Inventors: **Brian W. Henige**, Plainwell, MI (US); **Casey T. Fisher**, Mattawan, MI (US)
(73) Assignee: **L. Perrigo Company**, Allegan, MI (US)
(**) Term: **15 Years**
(21) Appl. No.: **29/568,435**
(22) Filed: **Jun. 17, 2016**
(51) **LOC (10) Cl.** **09-07**
(52) **U.S. Cl.**
USPC **D9/453**
(58) **Field of Classification Search**
USPC D9/434-436, 438, 440, 443, 445, 447, D9/448, 452, 453, 454, 499
CPC .. B65D 41/34; B65D 41/3438; B65D 47/122; B65D 1/0223
See application file for complete search history.

D530,609 S * 10/2006 Beaver D9/445
D554,995 S * 11/2007 Saint-Ignan D9/453
D617,192 S * 6/2010 Casey D9/453
D731,310 S * 6/2015 Demey D9/434
D763,082 S * 8/2016 Bos D9/449

OTHER PUBLICATIONS

Akey Group. MouthWash Cap. Aug. 23, 2012 [earliest online date], [site visited Mar. 30, 2017]. Available from Internet, <URL:http://www.akeygroup.com/mouthwash-cap.html>.*
Living Fountain Plastic Industrial Co., Ltd. Mouth Wash Cap. Jun. 22, 2005 [earliest online date], [site visited Mar. 30, 2017]. Available from Internet, <URL:http://www.sprayer-pump.com/nu_cap_cover.htm>.*
Drugs Depot. Tretinoin .1% Cream 1X20 Gm Mfg. By Perrigo Pharm Clay Park Rx. Jul. 15, 2015 [earliest online date], [site visited Mar. 30, 2017]. Available from Internet, <URL:http://www.drugsdepot.com/catalog.php/drugsdepot/dt89496/pd2014298/Tretinoin_1_Cream_1X20_Gm_Mfg_By_Perrigo_Pharm_Clay_Park_Rx#IMAGES>.*

(Continued)

Primary Examiner — Robert M. Spear
Assistant Examiner — Darcey E Heflin
(74) *Attorney, Agent, or Firm* — Breiner & Breiner, L.L.C.

(56) **References Cited**

U.S. PATENT DOCUMENTS

D29,264 S * 8/1898 Green D9/499
D162,893 S * 4/1951 Soffer D9/443
D194,291 S * 12/1962 Evans D9/440
D296,672 S * 7/1988 Bouthillier D9/436
4,969,566 A * 11/1990 Rogers B65D 41/0414
215/273
D350,068 S * 8/1994 Schwartzburg D9/434
D418,419 S * 1/2000 Briere D9/438
D421,223 S * 2/2000 Briere D9/438
D421,389 S * 3/2000 Briere D9/438
D426,159 S * 6/2000 Briere D9/438
D444,383 S * 7/2001 Crawford D9/453
6,296,158 B1 * 10/2001 Zhou B65D 25/48
222/570

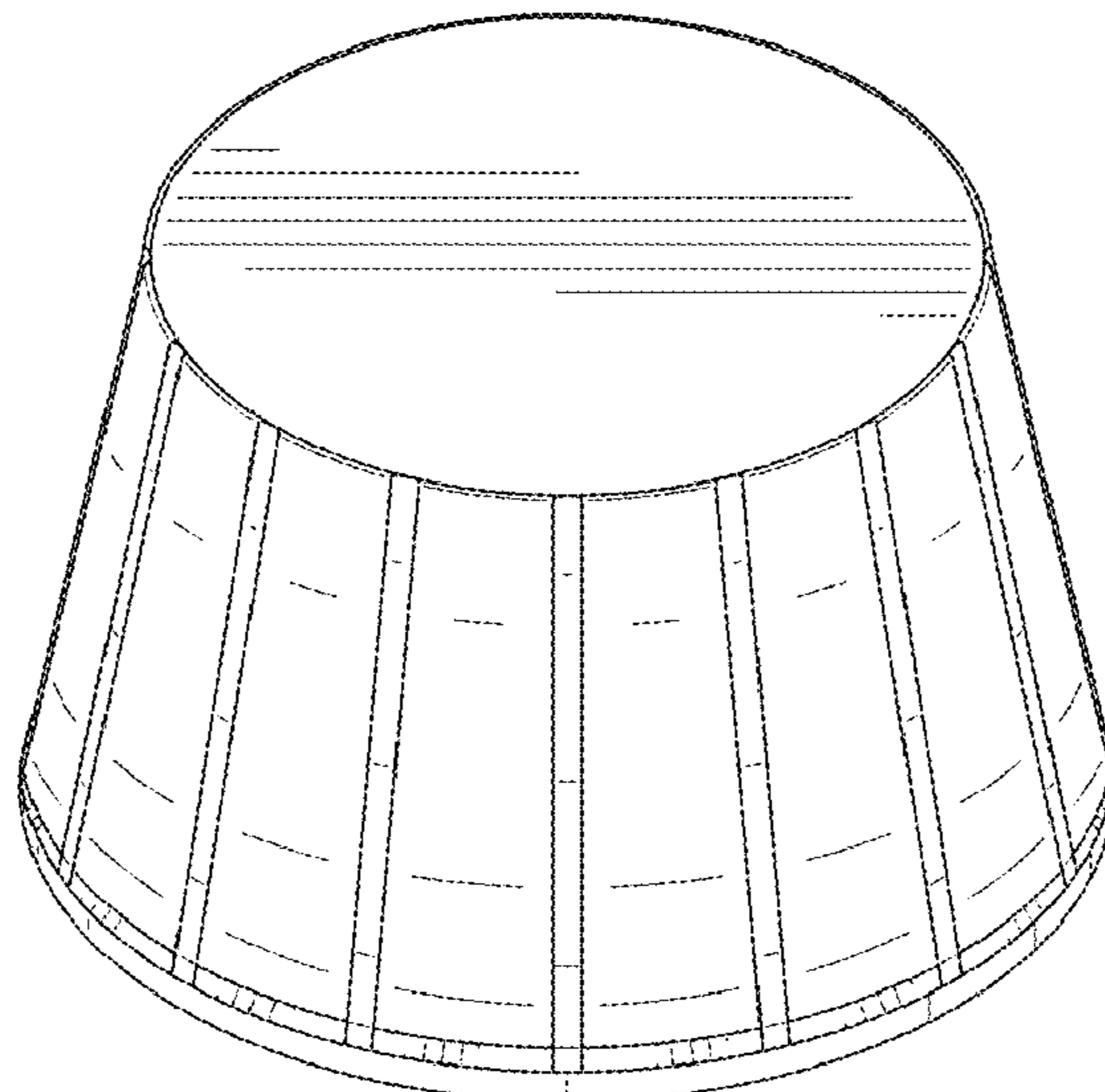
(57) **CLAIM**

The ornamental design for a cap for container, as shown and described.

DESCRIPTION

FIG. 1 is a perspective view of a cap for container showing my design;
FIG. 2 is a side elevational view of my design;
FIG. 3 is a top view of my design; and,
FIG. 4 is a bottom view of my design.
The broken lines in the figures represent portions of the cap for container that form no part of the claimed design.

1 Claim, 1 Drawing Sheet



(56)

References Cited

OTHER PUBLICATIONS

U.S. Trademark Registration No. 3,768,596, registered Mar. 30, 2010, wherein “the mark consists of a three dimensional representation of a trapezoidal-shaped bottle cap design with horizontal curved bands in the color red.”

* cited by examiner

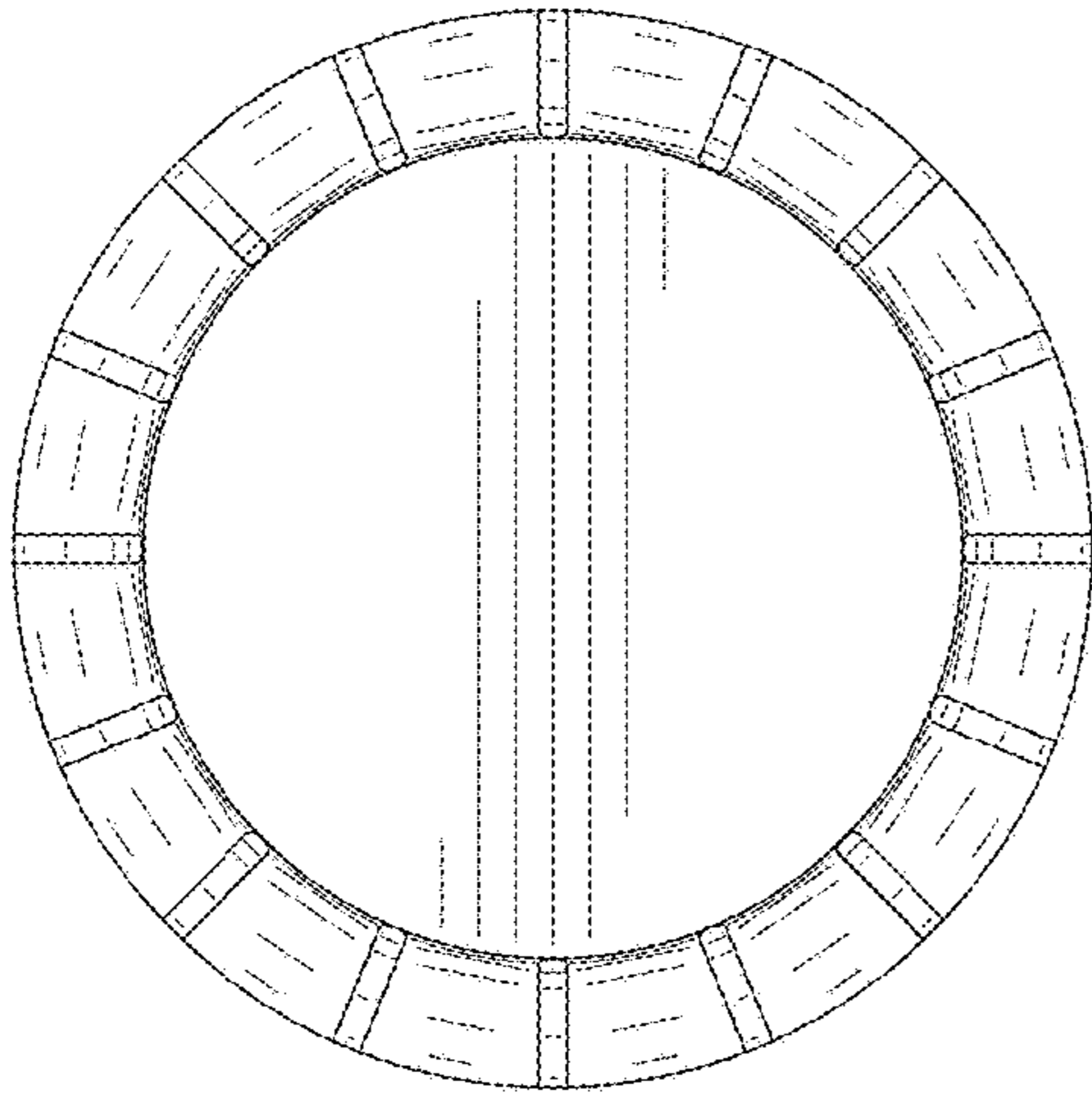


FIG. 3

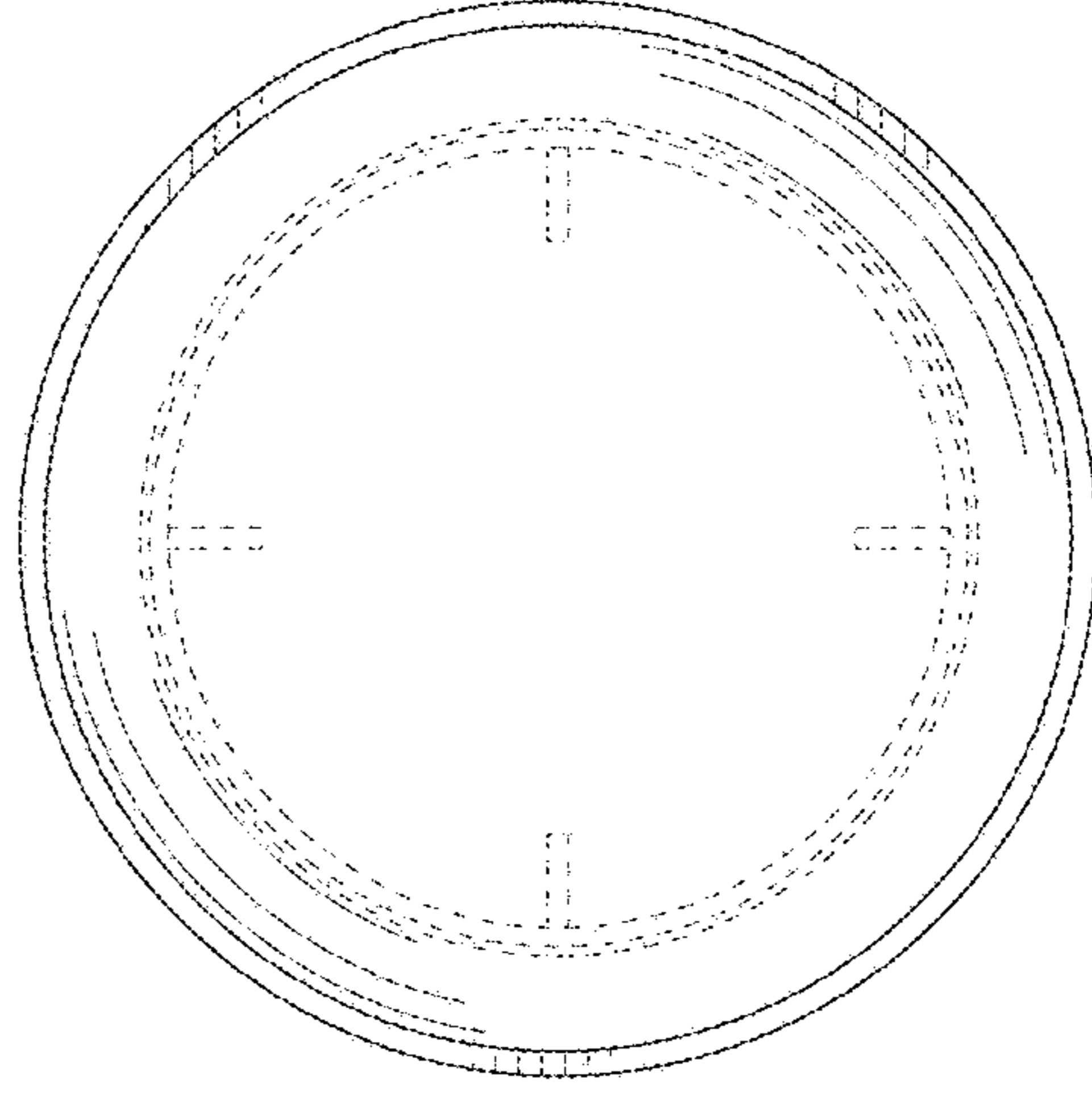


FIG. 4

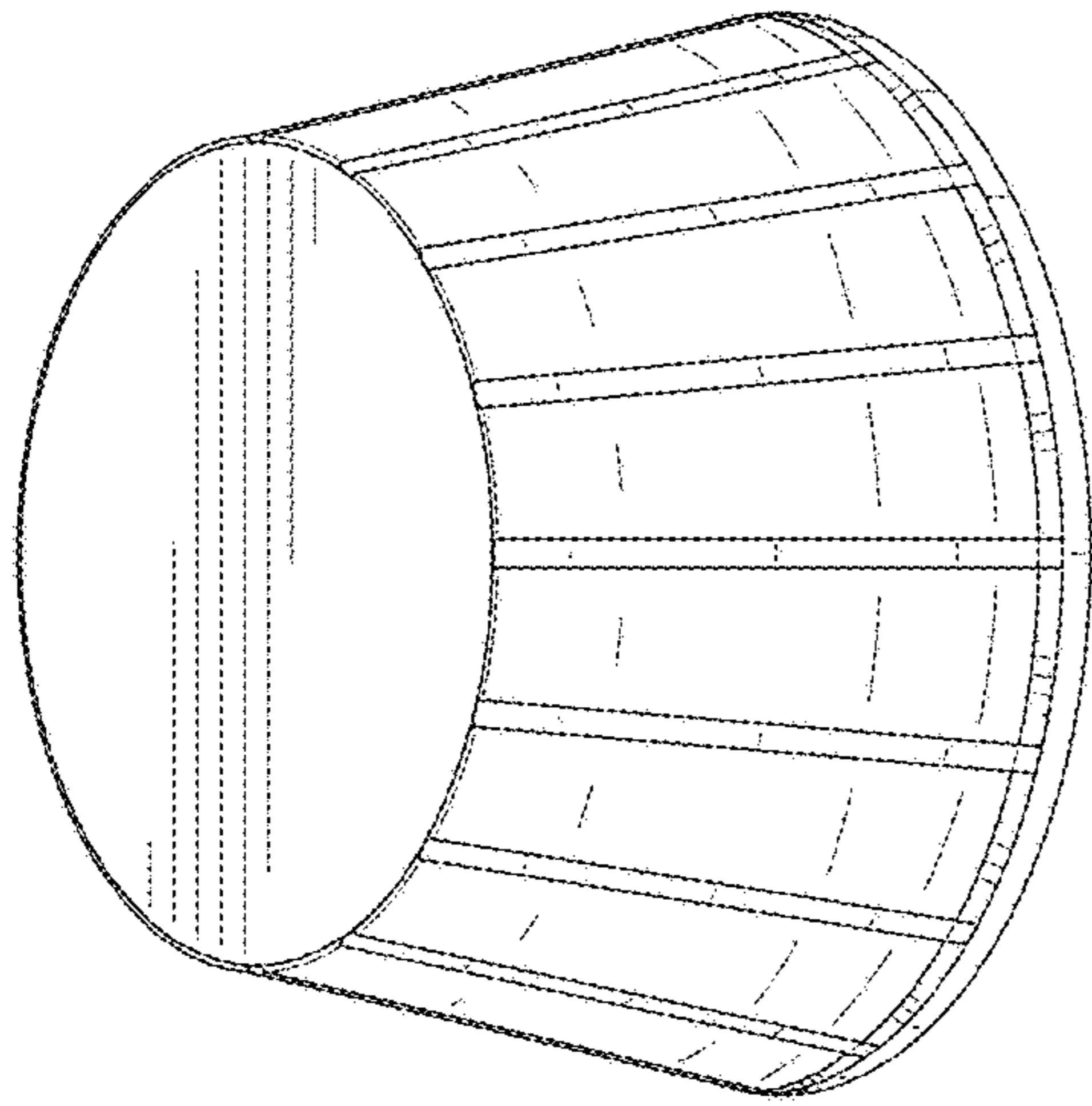


FIG. 1

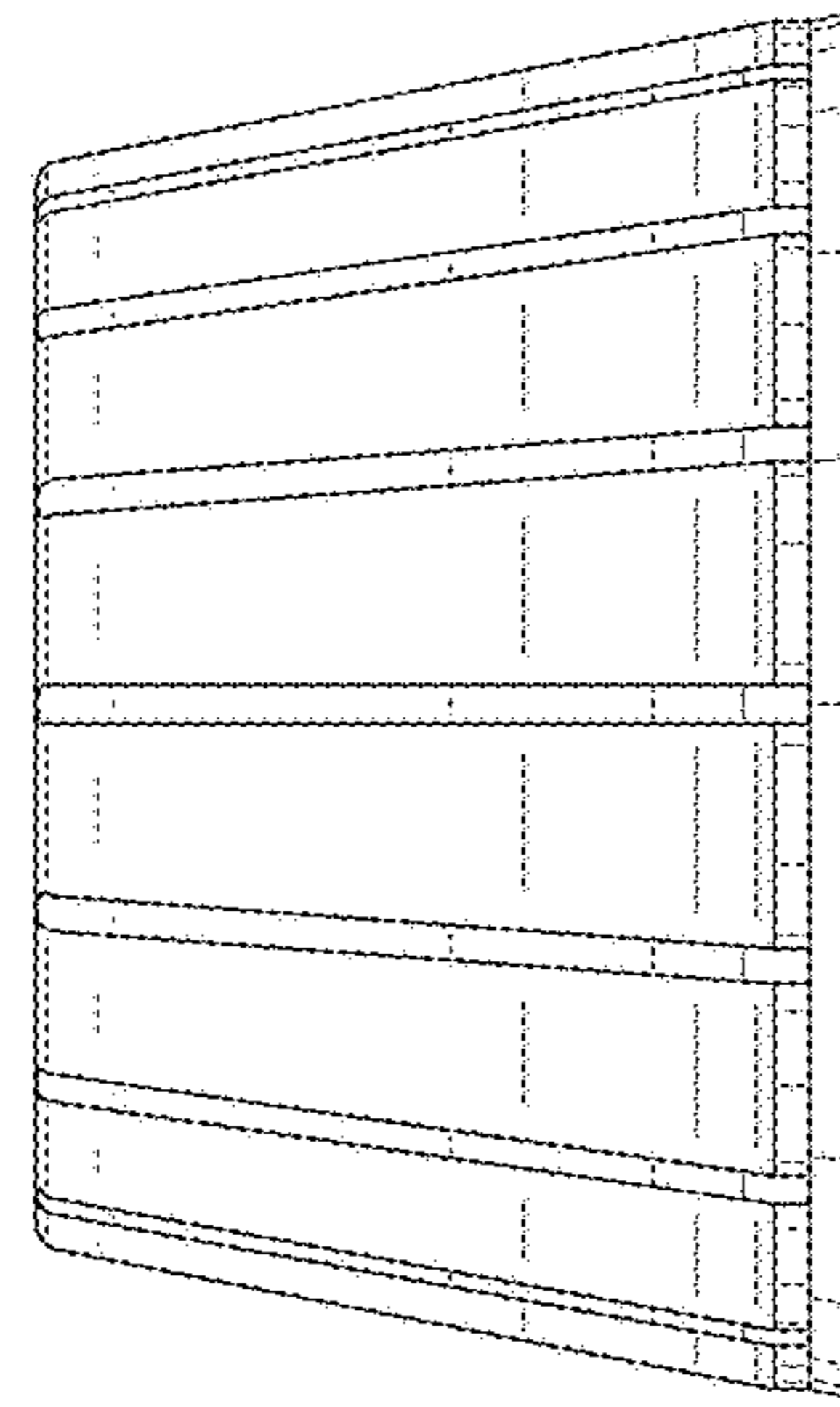


FIG. 2