



US00D801174S

(12) **United States Design Patent** (10) **Patent No.:** **US D801,174 S**
Lown et al. (45) **Date of Patent:** **** Oct. 31, 2017**

(54) **BOTTLE LID**

(71) Applicant: **Takeya USA Corporation**, Huntington Beach, CA (US)

(72) Inventors: **John M. Lown**, Huntington Beach, CA (US); **Marc Tappeiner**, Santa Barbara, CA (US); **John Stump**, Santa Barbara, CA (US)

(73) Assignee: **Takeya USA Corporation**, Huntington Beach, CA (US)

(**) Term: **15 Years**

(21) Appl. No.: **29/573,326**

(22) Filed: **Aug. 4, 2016**

(51) **LOC (10) Cl.** **09-07**

(52) **U.S. Cl.**
USPC **D9/449; D9/443**

(58) **Field of Classification Search**
USPC D7/316, 397, 510, 533; D9/434-436, D9/438, 439, 440, 443, 447, 449, 450, D9/454, 499; D23/260, 269, 390
CPC B65D 51/1688
See application file for complete search history.

(56) **References Cited**

U.S. PATENT DOCUMENTS

D193,956 S *	10/1962	Yonkers	D23/363
D217,133 S *	4/1970	O'Neill	D9/447
D632,176 S *	2/2011	McKinney	D9/450
D633,385 S *	3/2011	Baker	D9/447
D657,194 S *	4/2012	McIntire	D7/510
D688,093 S *	8/2013	Roth	D7/392.1
D724,384 S *	3/2015	Donovan	D7/510
D732,892 S *	6/2015	Keys	D7/510
D736,562 S *	8/2015	Green	D7/510
D755,630 S *	5/2016	Marraccini	D9/447
D767,337 S *	9/2016	Boroski	D7/510
D774,357 S *	12/2016	Palin	D7/510

D784,764 S *	4/2017	Yao	D7/510
D786,618 S *	5/2017	Parker	D7/507
2008/0237233 A1 *	10/2008	Choi	A47G 19/2266 220/212.5

OTHER PUBLICATIONS

Takeya. Featured Products. 2016 [earliest online date], [site visited May 19, 2017]. Available from Internet, <URL:http://takeyusa.com/>.*

English Taobao. Camelback nozzle Cup lid straw. 2016 [earliest online date], [site visited May 19, 2017]. Available from Internet, <URL:https://www.englishtaobao.net/Product/526886475413/camelback_camelback_nozzle_cup_lid_straw_cup_lid_cup_ice_hockey_ice_hockey_water_bottle>.*

* cited by examiner

Primary Examiner — Robert M Spear

Assistant Examiner — Darcey E Heflin

(74) *Attorney, Agent, or Firm* — Klein, O'Neill & Singh, LLP

(57) **CLAIM**

The ornamental design for a bottle lid, as shown and described.

DESCRIPTION

FIG. 1 is a perspective view of a bottle lid embodying our new design;

FIG. 2 is a perspective view thereof, but viewed from another angle;

FIG. 3 is a front elevation view thereof;

FIG. 4 is a rear elevation view thereof;

FIG. 5 is a right side elevation view thereof;

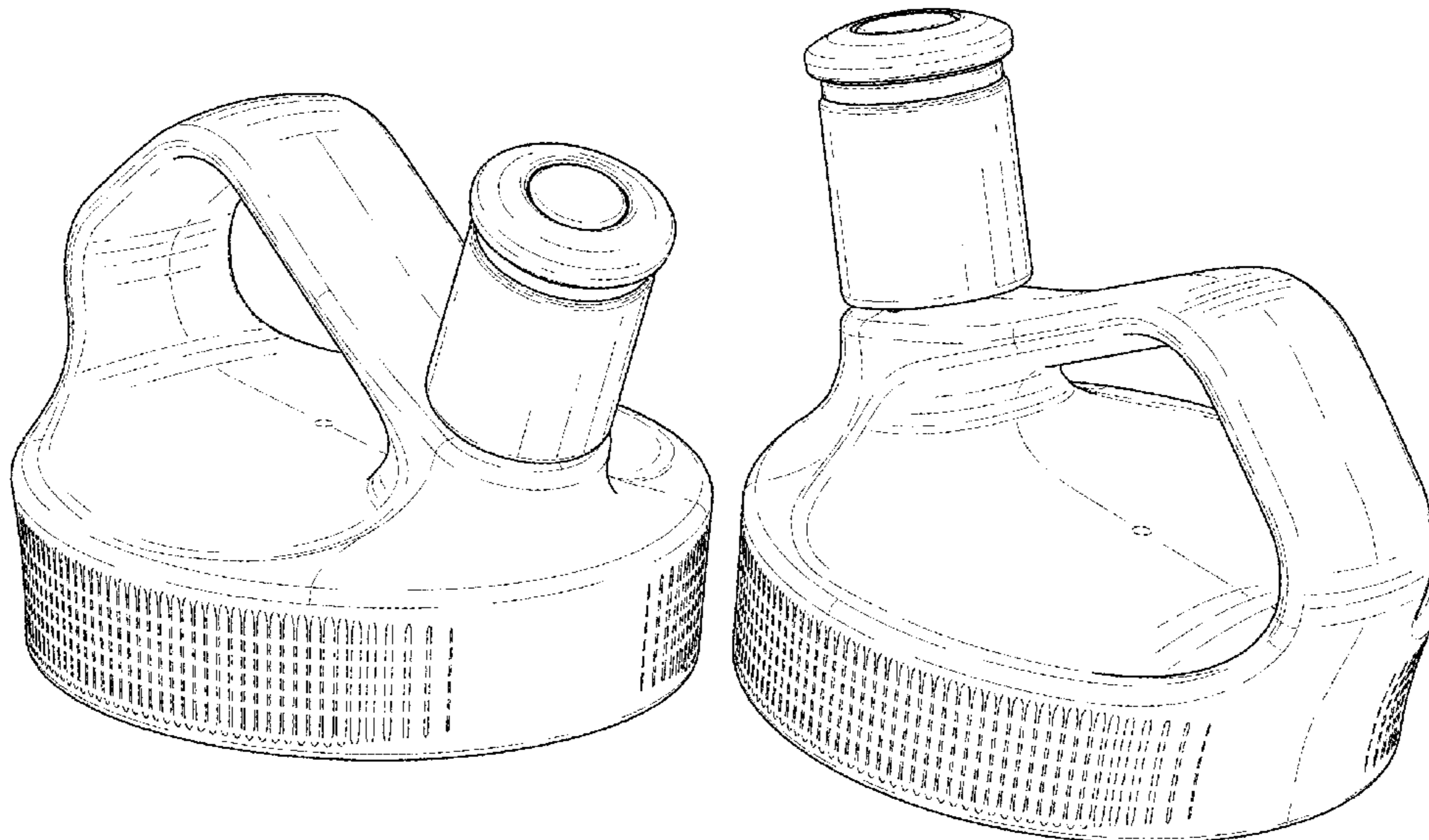
FIG. 6 is a left side elevation view thereof;

FIG. 7 is a top plan view thereof; and,

FIG. 8 is a bottom plan view thereof.

In the drawings, the shaded surfaces comprise the claim; the broken lines showing portions of a bottle lid depict environment and form no part of the claim.

1 Claim, 4 Drawing Sheets



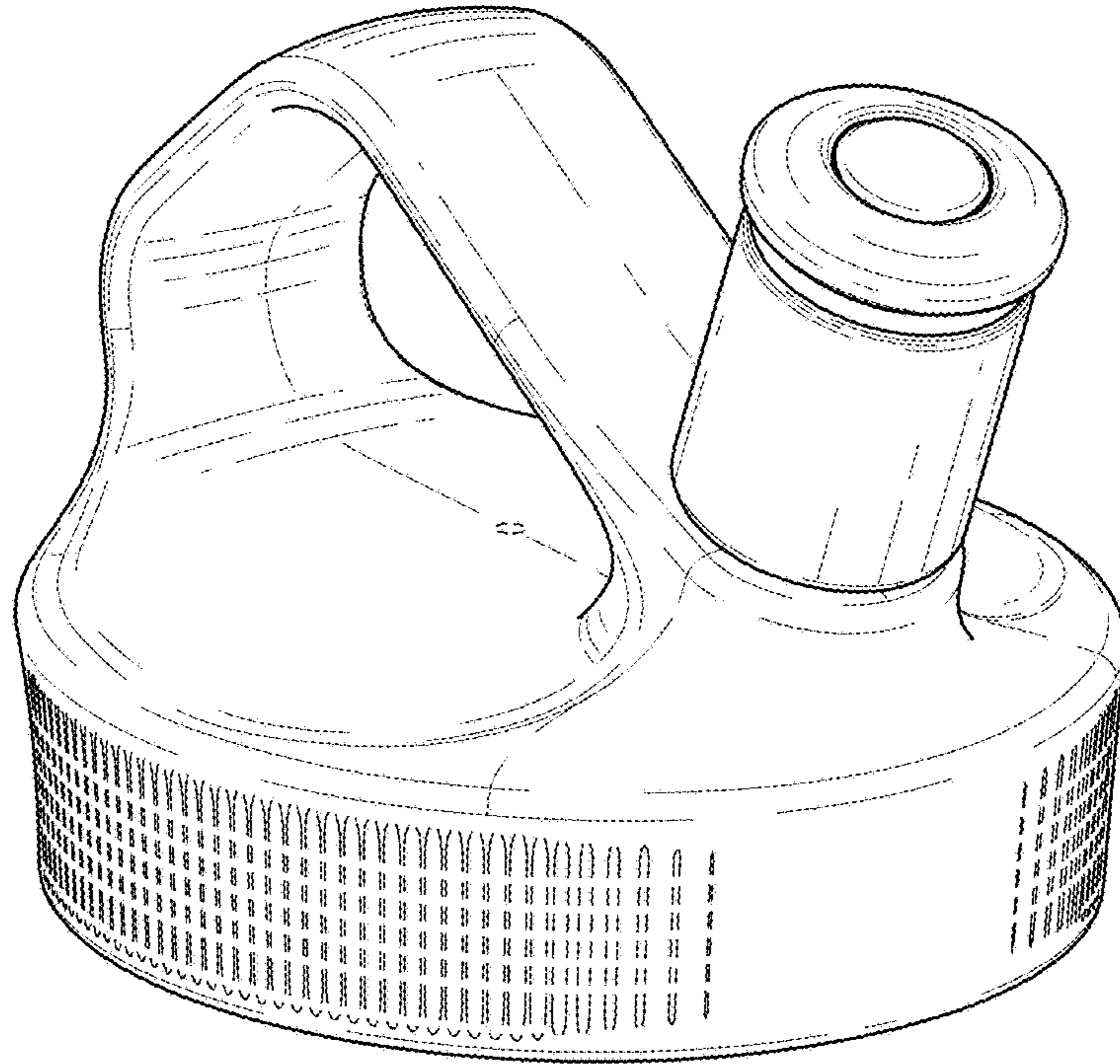


FIG. 1

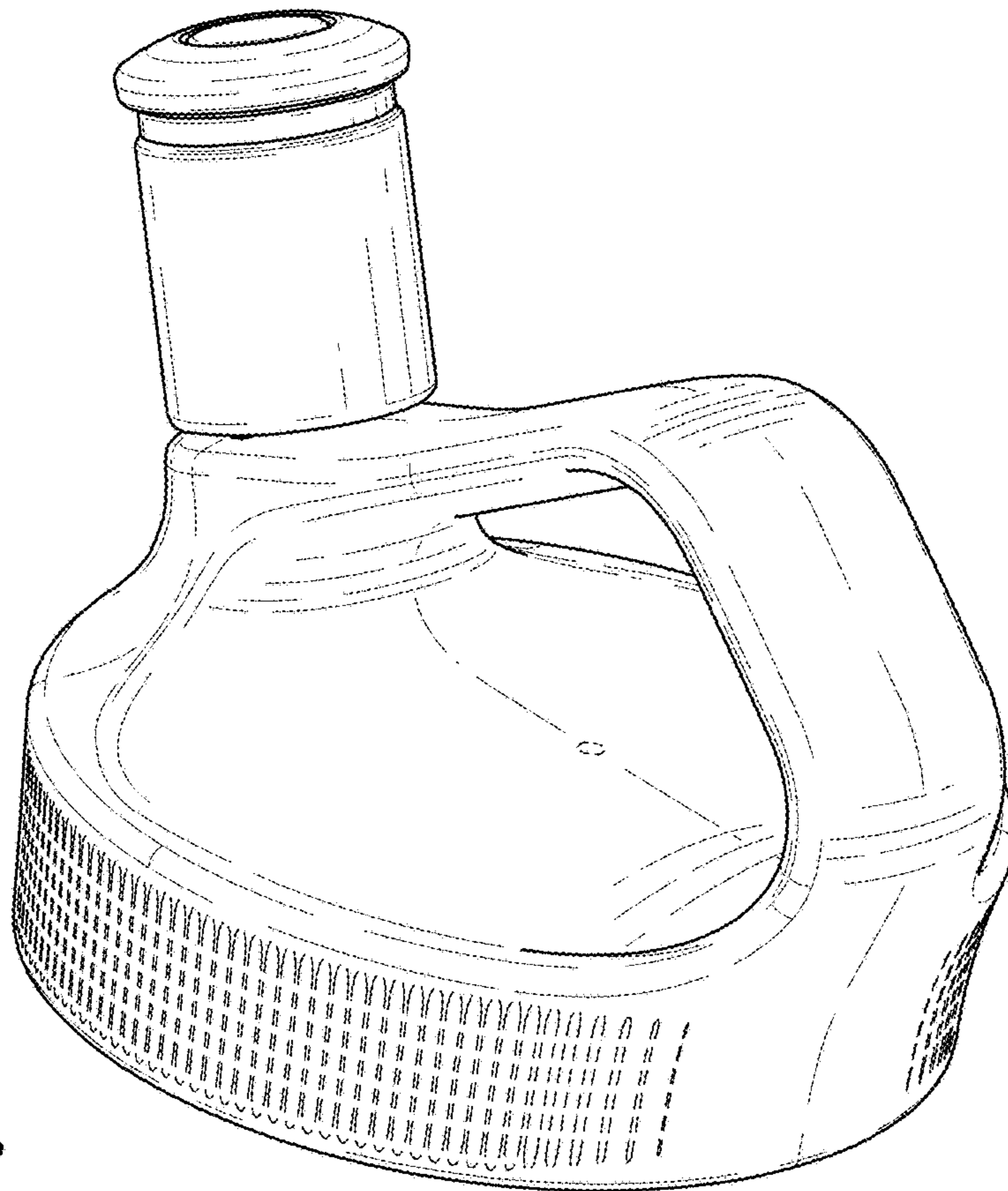


FIG. 2

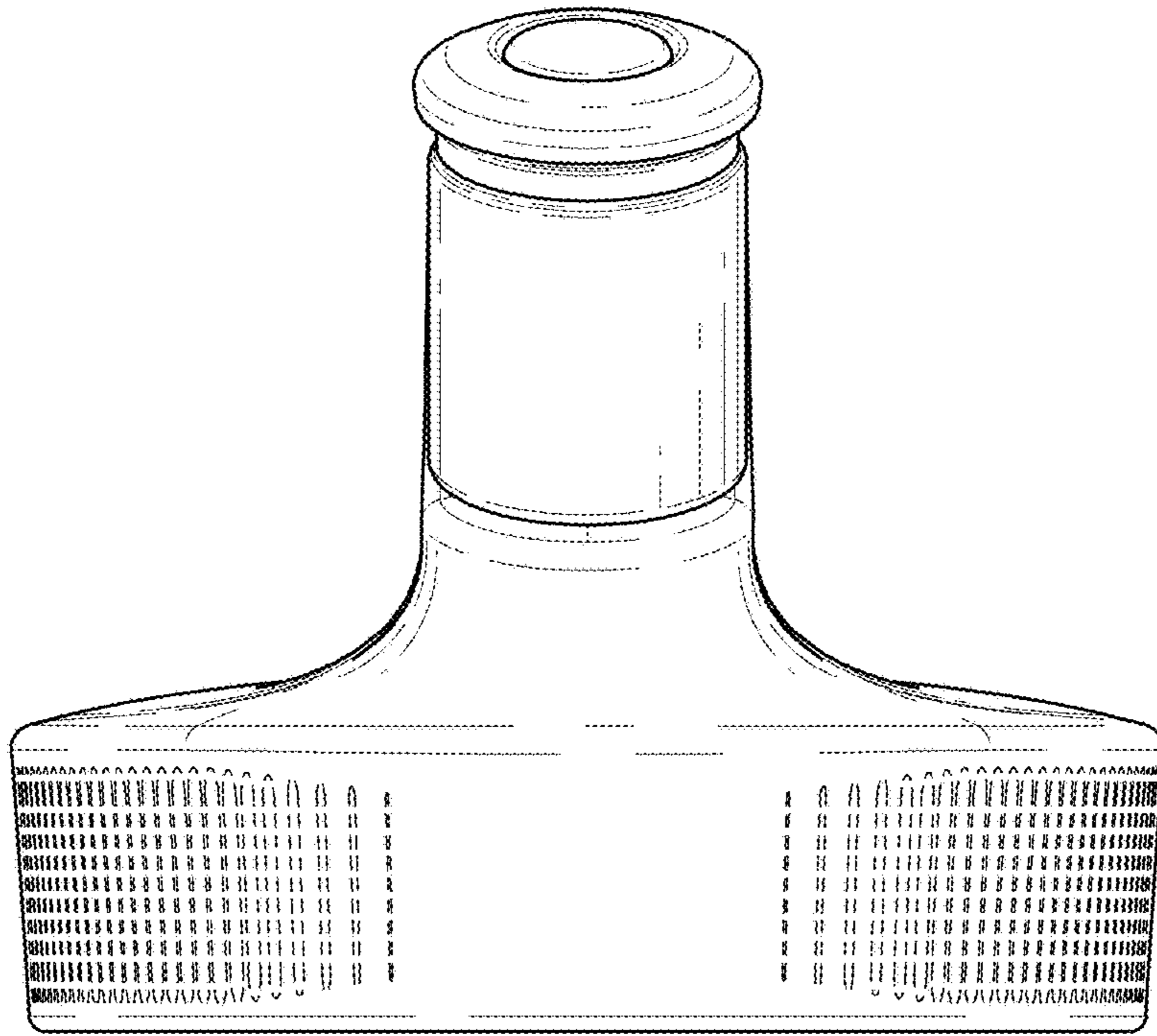


FIG. 3

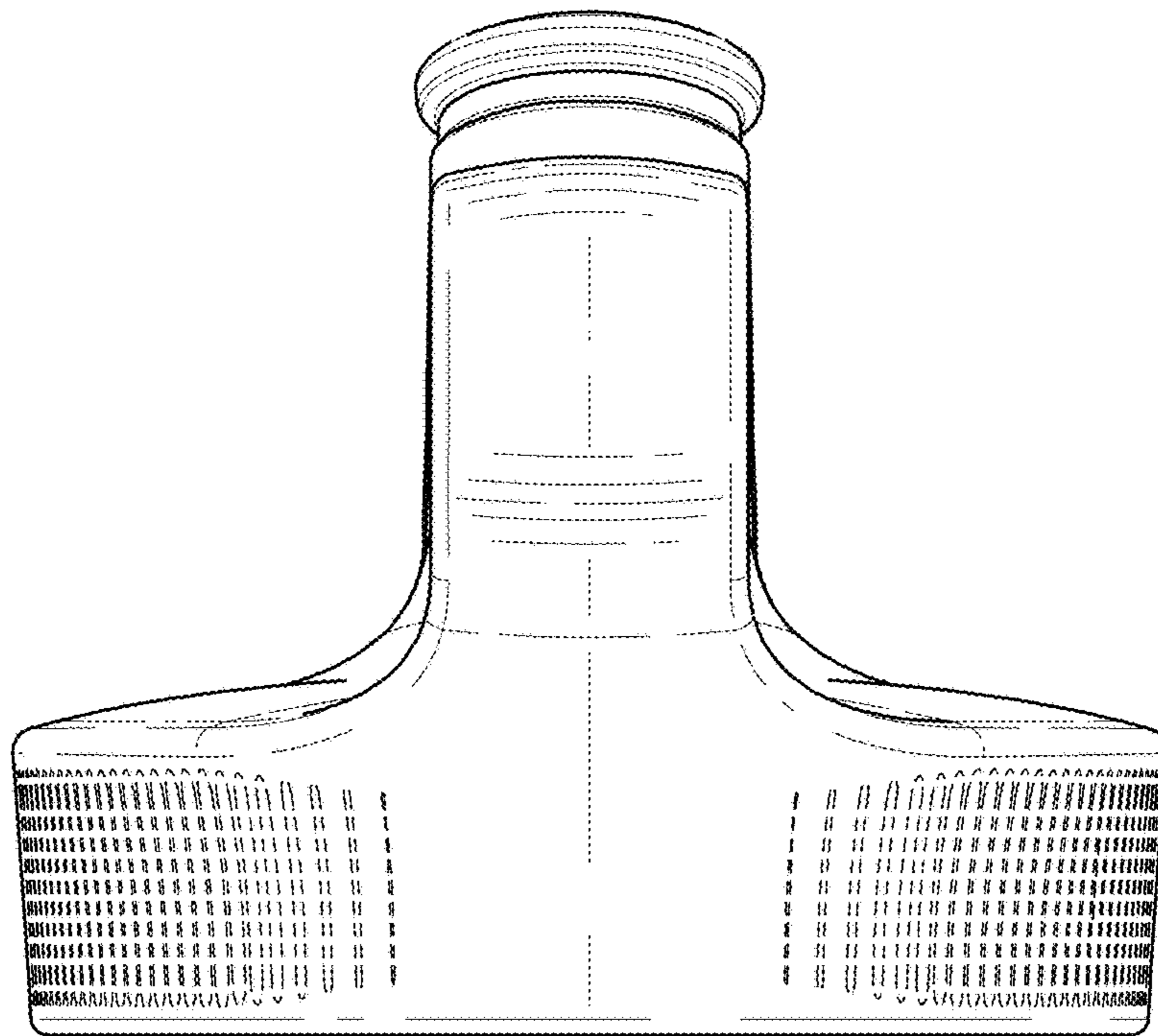


FIG. 4

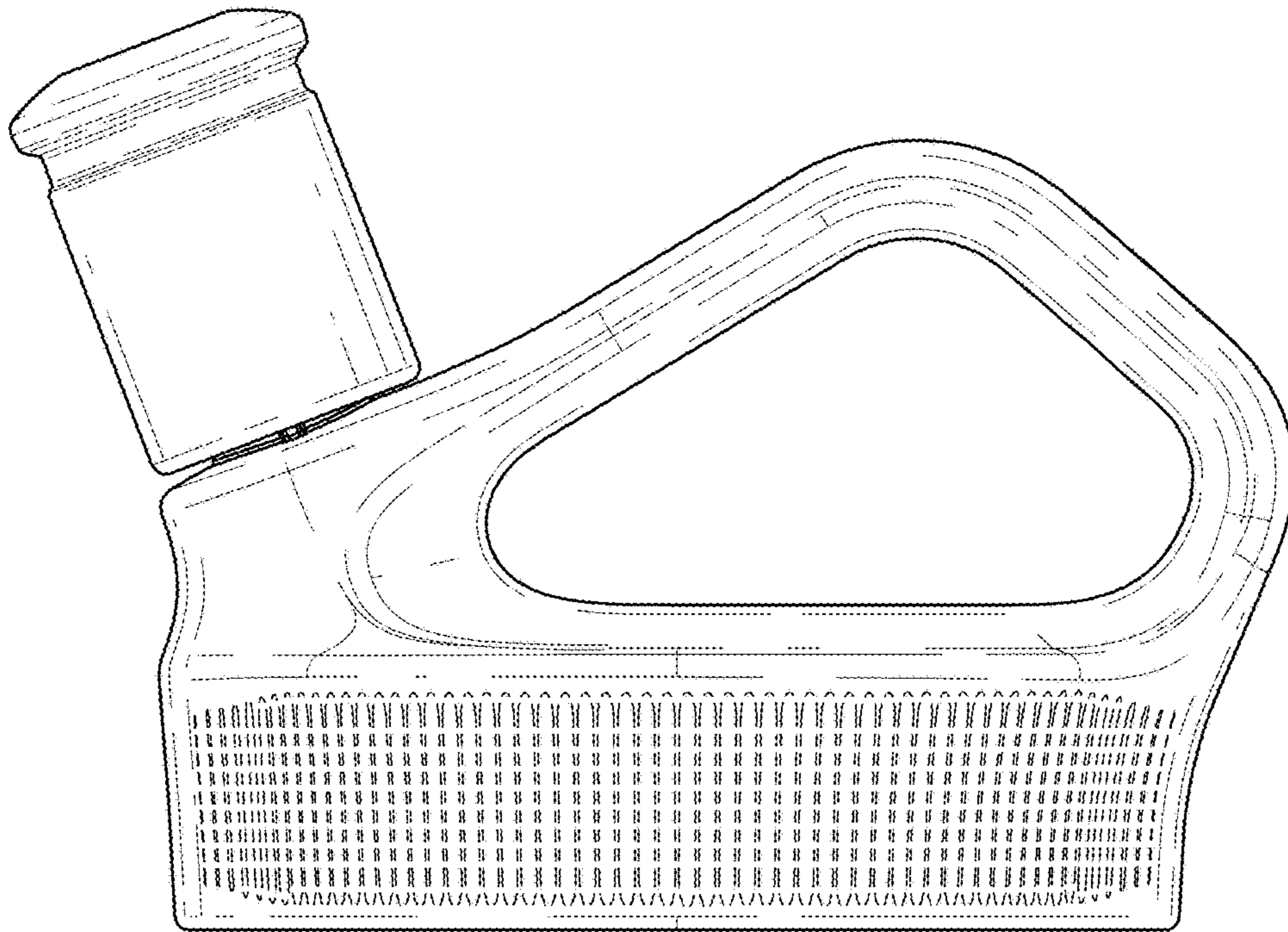


FIG. 5

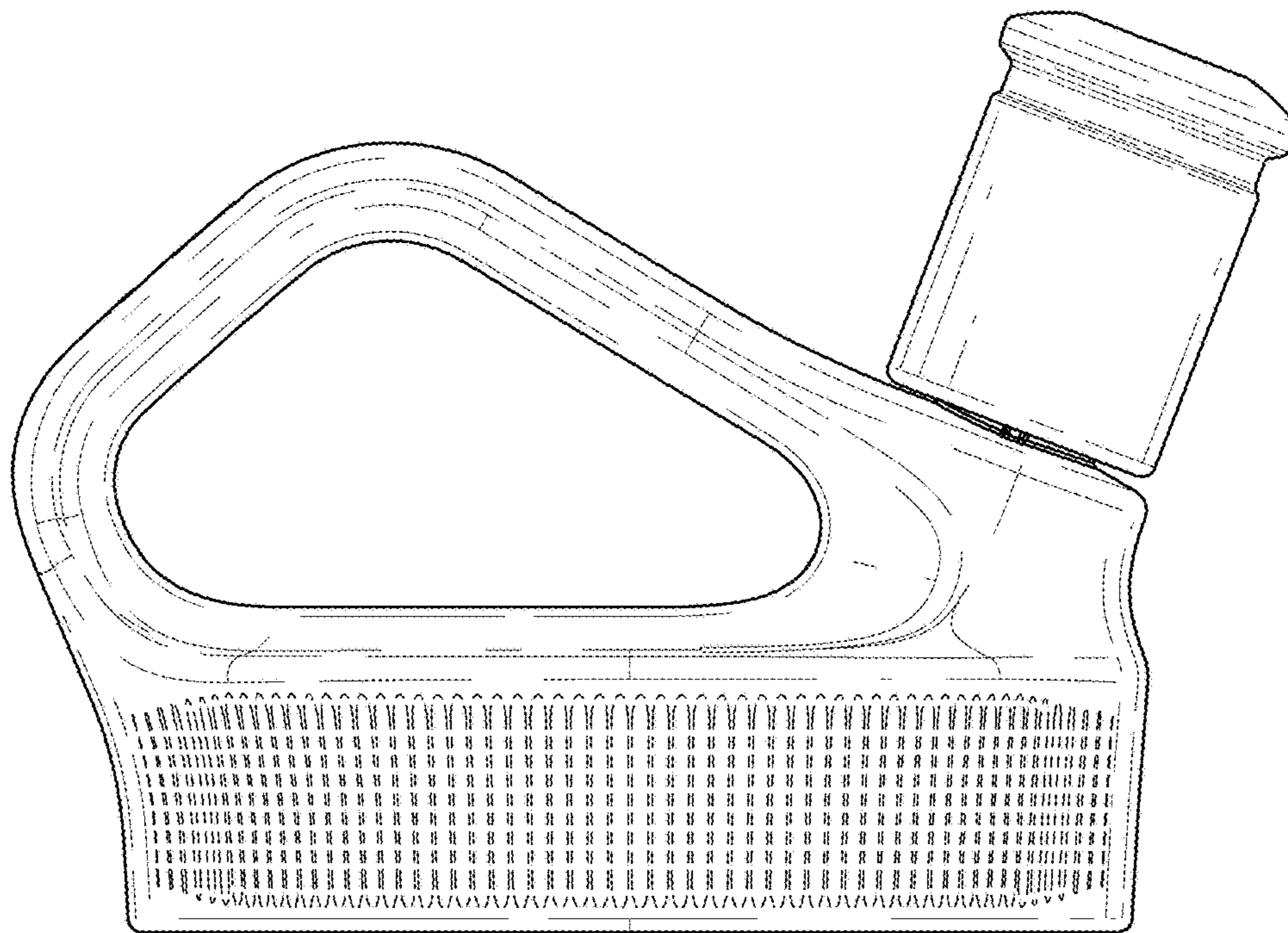


FIG. 6

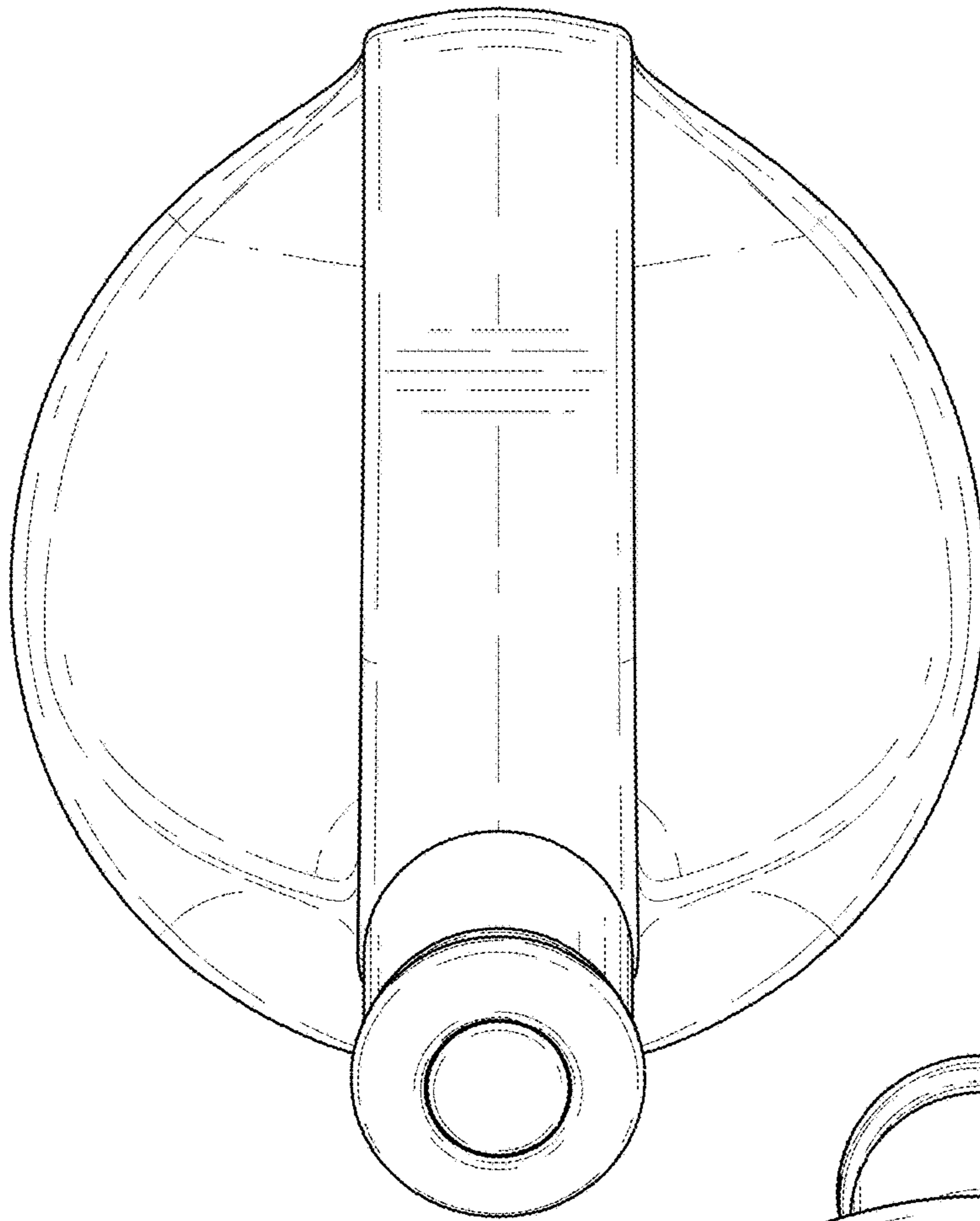


FIG. 7

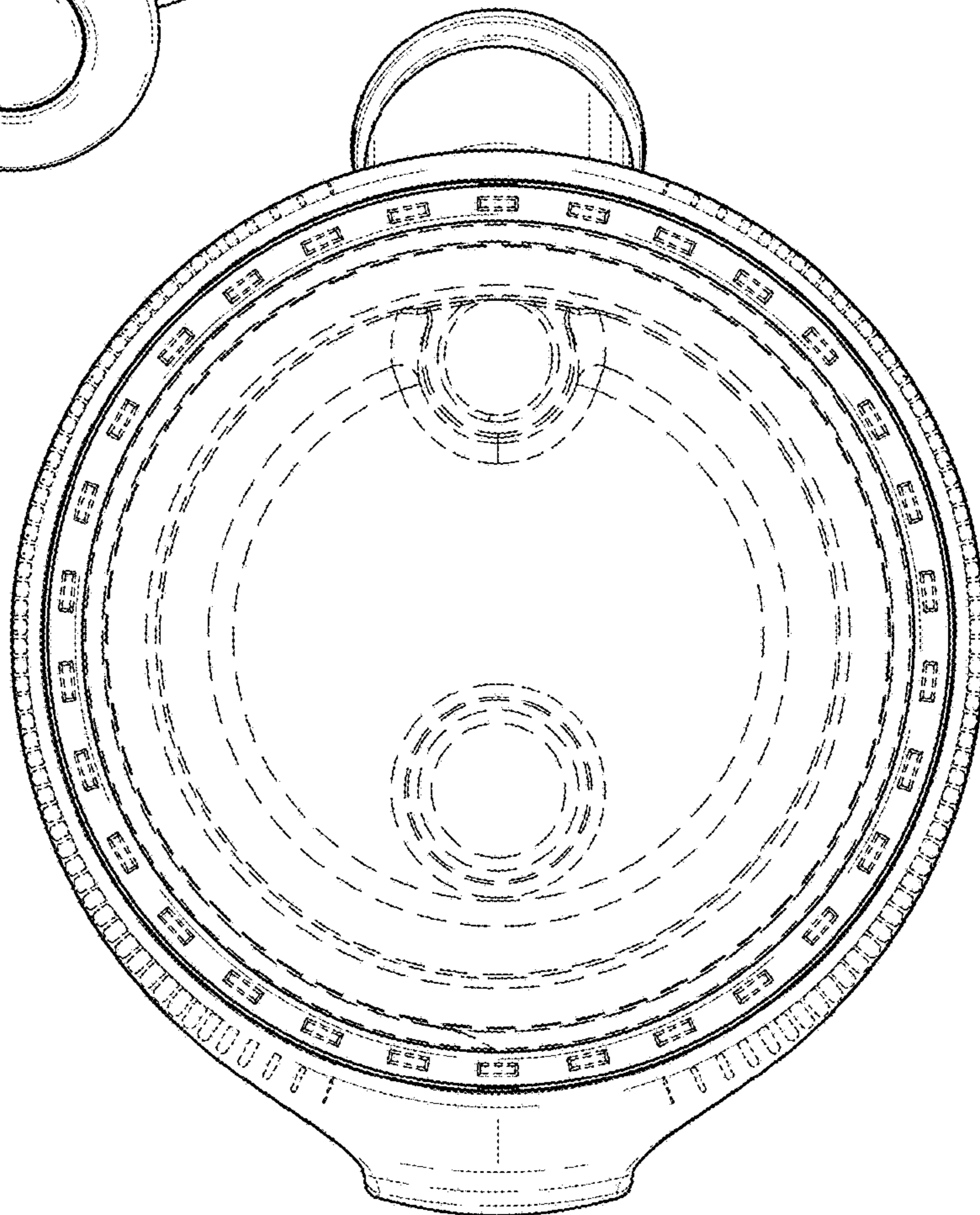


FIG. 8