



US00D801173S

(12) **United States Design Patent** (10) **Patent No.:** **US D801,173 S**
Lown et al. (45) **Date of Patent:** **** Oct. 31, 2017**

(54) **BOTTLE LID**

- (71) Applicant: **Takeya USA Corporation**, Huntington Beach, CA (US)
- (72) Inventors: **John M. Lown**, Huntington Beach, CA (US); **Marc Tappeiner**, Santa Barbara, CA (US); **John Stump**, Santa Barbara, CA (US)
- (73) Assignee: **Takeya USA Corporation**, Huntington Beach, CA (US)

(**) Term: **15 Years**

(21) Appl. No.: **29/573,325**

(22) Filed: **Aug. 4, 2016**

(51) **LOC (10) Cl.** **09-07**

(52) **U.S. Cl.**

USPC **D9/449**; D9/447; D9/443

(58) **Field of Classification Search**

USPC D7/316, 397, 510; D9/434–436, 438, D9/439, 440, 443, 447, 449, 450, 454, D9/499, 533; D23/260, 269, 390

CPC B65D 51/1688

See application file for complete search history.

(56) **References Cited**

U.S. PATENT DOCUMENTS

D568,740	S	*	5/2008	Williams	D9/436
D620,798	S	*	8/2010	Cresswell	D9/443
D627,602	S	*	11/2010	Eyal	D7/510
D634,972	S	*	3/2011	Staton	D7/392.1
D652,255	S	*	1/2012	Carland	D7/510
D688,093	S	*	8/2013	Roth	D7/392.1
D695,069	S	*	12/2013	Lane	D7/510
D744,290	S	*	12/2015	Endo	D7/608
D760,540	S	*	7/2016	Marina	D7/510
D760,586	S	*	7/2016	Seiders	D7/392.1
D778,677	S	*	2/2017	Boroski	D7/510
D780,577	S	*	3/2017	Seiders	D7/392.1
D781,145	S	*	3/2017	Seiders	D7/392.1
D781,146	S	*	3/2017	Seiders	D7/392.1
D784,764	S	*	4/2017	Yao	D7/510

OTHER PUBLICATIONS

Free Drinking Water. Takeya—Modern Flip Cap 16 Oz. Ice Pink Glass Water Bottle. 2017 [earliest online date], [site visited May 19, 2017]. Available from Internet, <URL:http://www.freedrinkingwater.com/takeya-modern-flip-cap-16-oz-ice-pink-glass-water-bottle.htm/>.*

Takeya. Featured Products. 2016 [earliest online date], [site visited May 19, 2017]. Available from Internet, <URL:http://takeyusa.com/>.*

* cited by examiner

Primary Examiner — Robert M Spear

Assistant Examiner — Darcey E Heflin

(74) *Attorney, Agent, or Firm* — Klein, O’Neill & Singh, LLP

(57) **CLAIM**

The ornamental design for a bottle lid, as shown and described.

DESCRIPTION

FIG. 1 is a perspective view of a bottle lid embodying our new design;

FIG. 2 is a perspective view thereof, but viewed from another angle;

FIG. 3 is a front elevation view thereof;

FIG. 4 is a rear elevation view thereof;

FIG. 5 is a left side elevation view thereof;

FIG. 6 is a top plan view thereof;

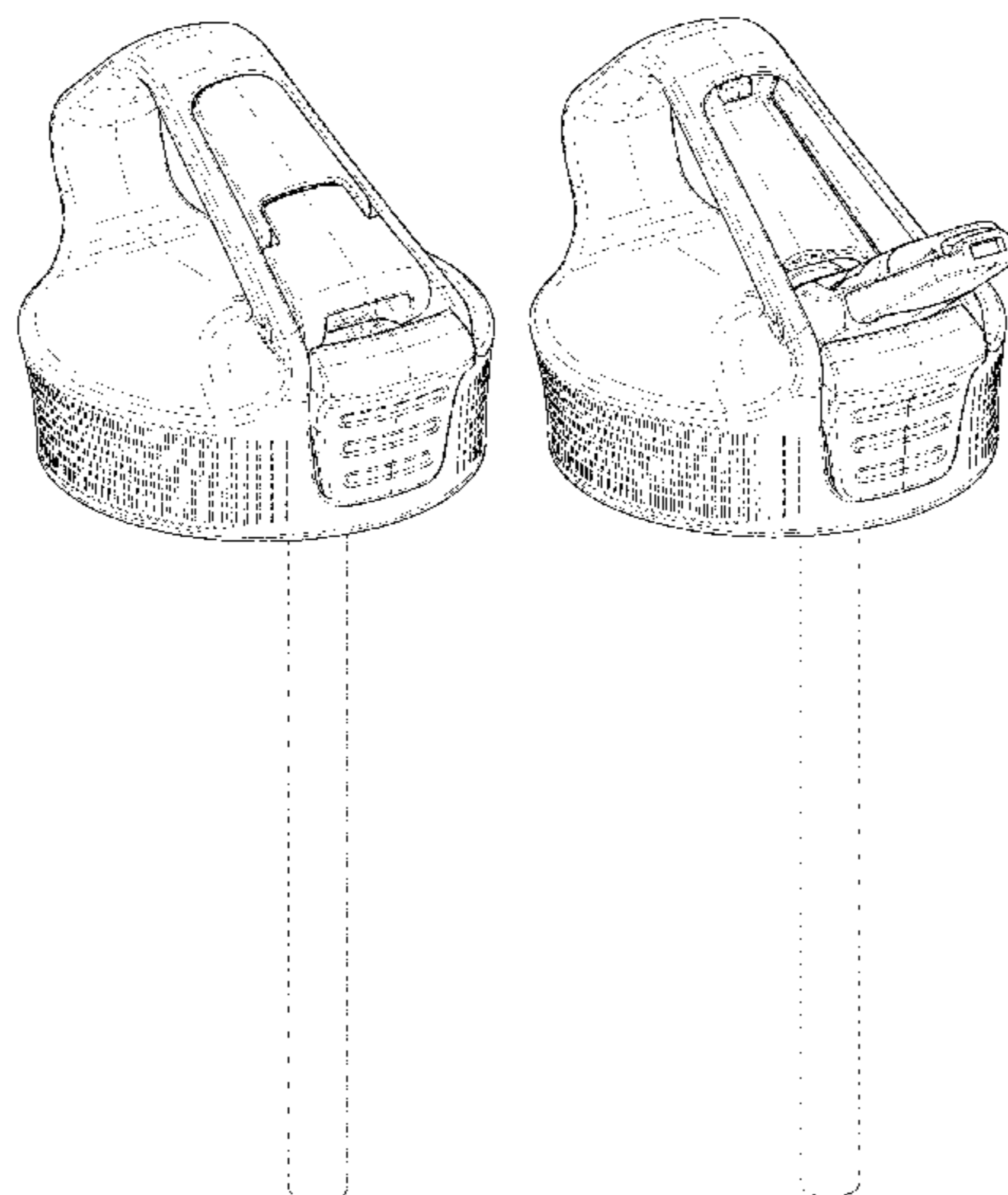
FIG. 7 is a bottom plan view thereof;

FIG. 8 is a perspective view thereof in a partially open configuration; and,

FIG. 9 is a perspective view thereof in an open configuration.

In the drawings, the shaded surfaces comprise the claim; the broken lines showing portions of a bottle lid depict environment and form no part of the claim.

1 Claim, 8 Drawing Sheets



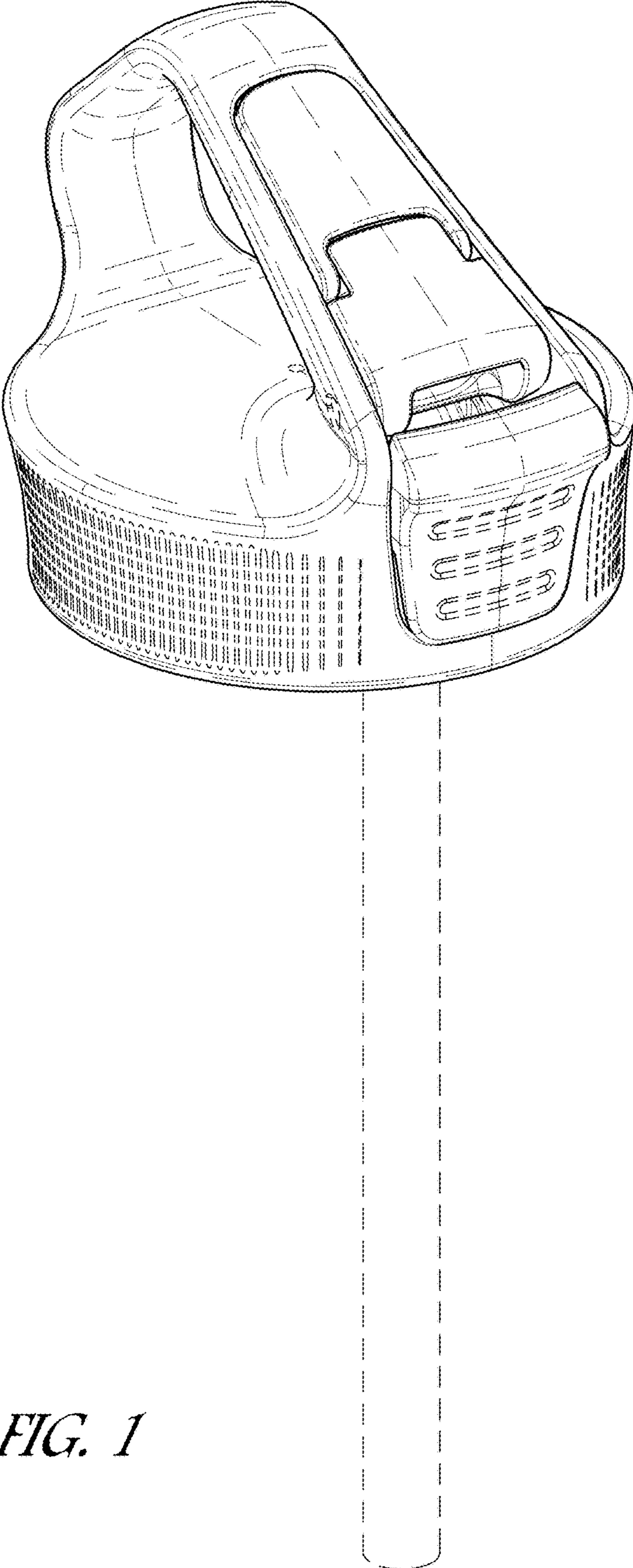


FIG. 1

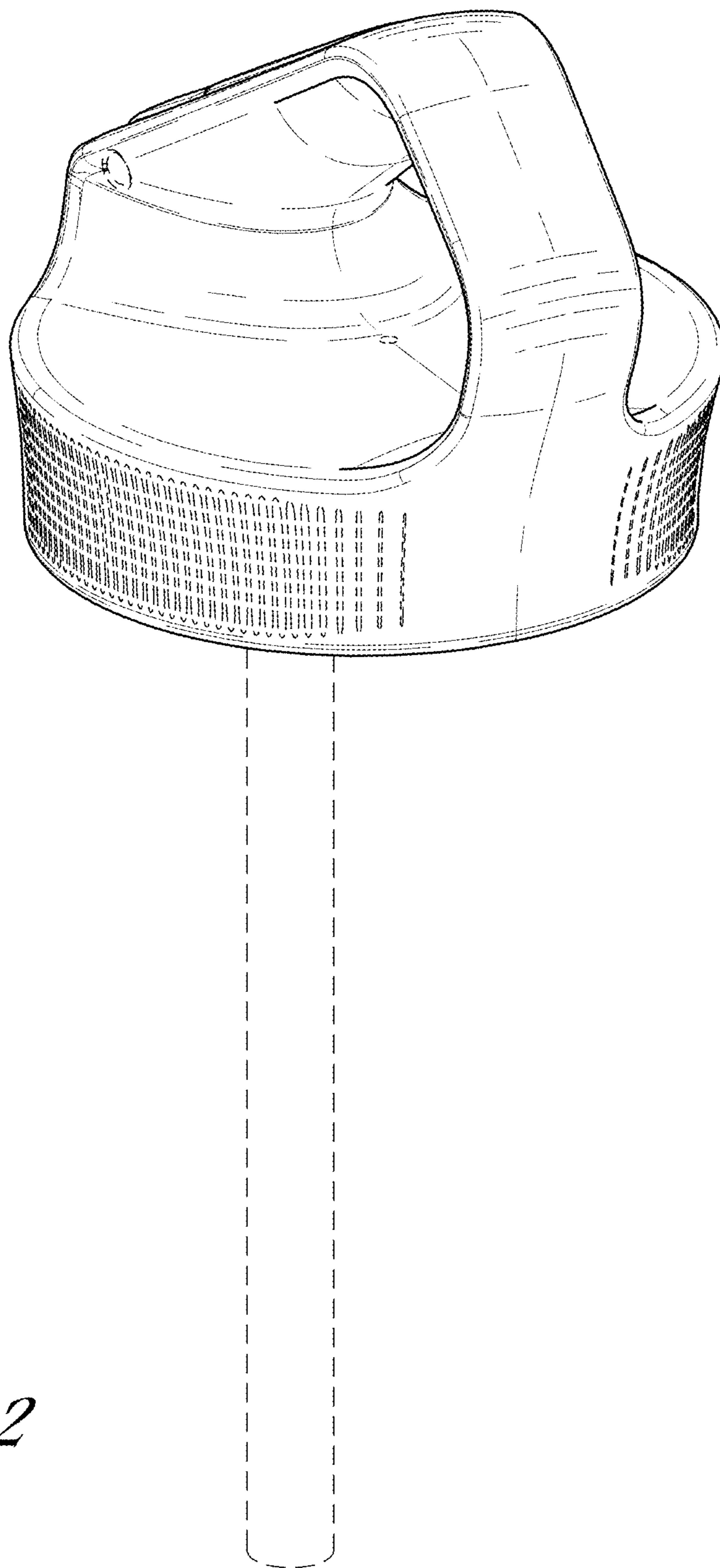


FIG. 2

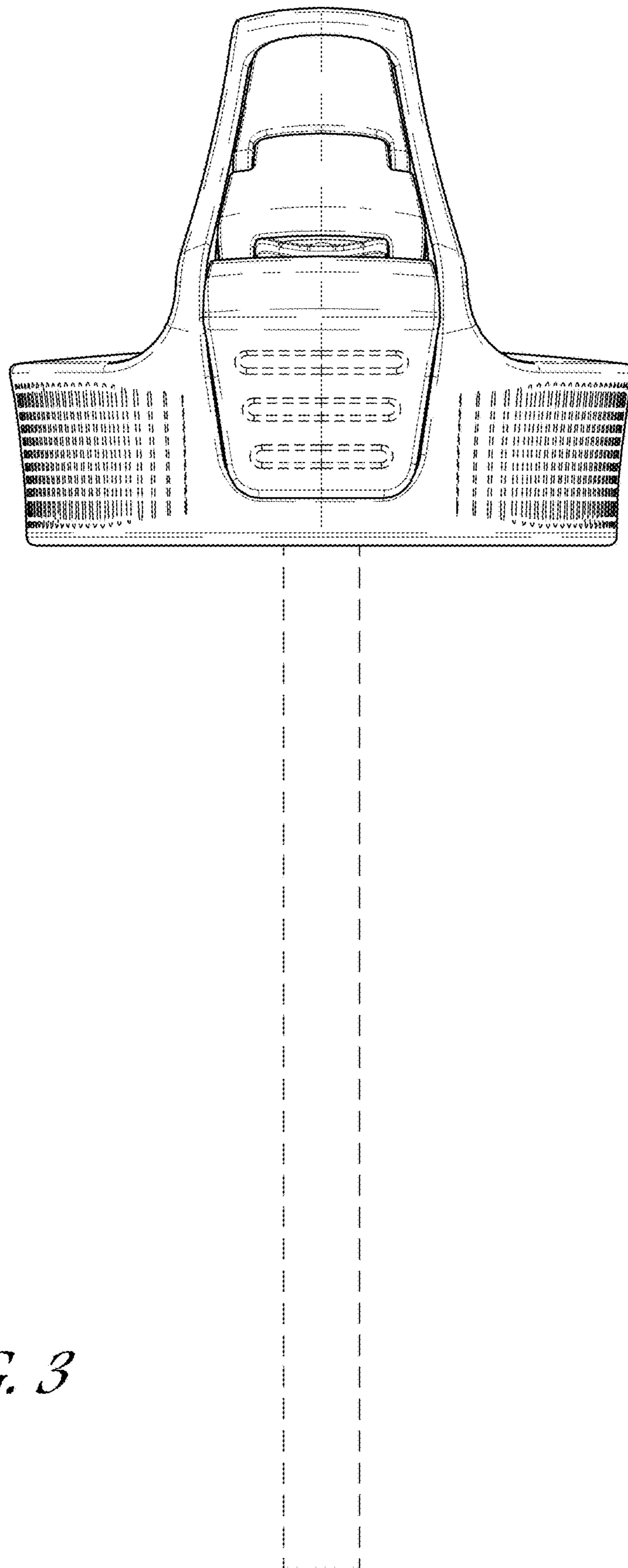


FIG. 3

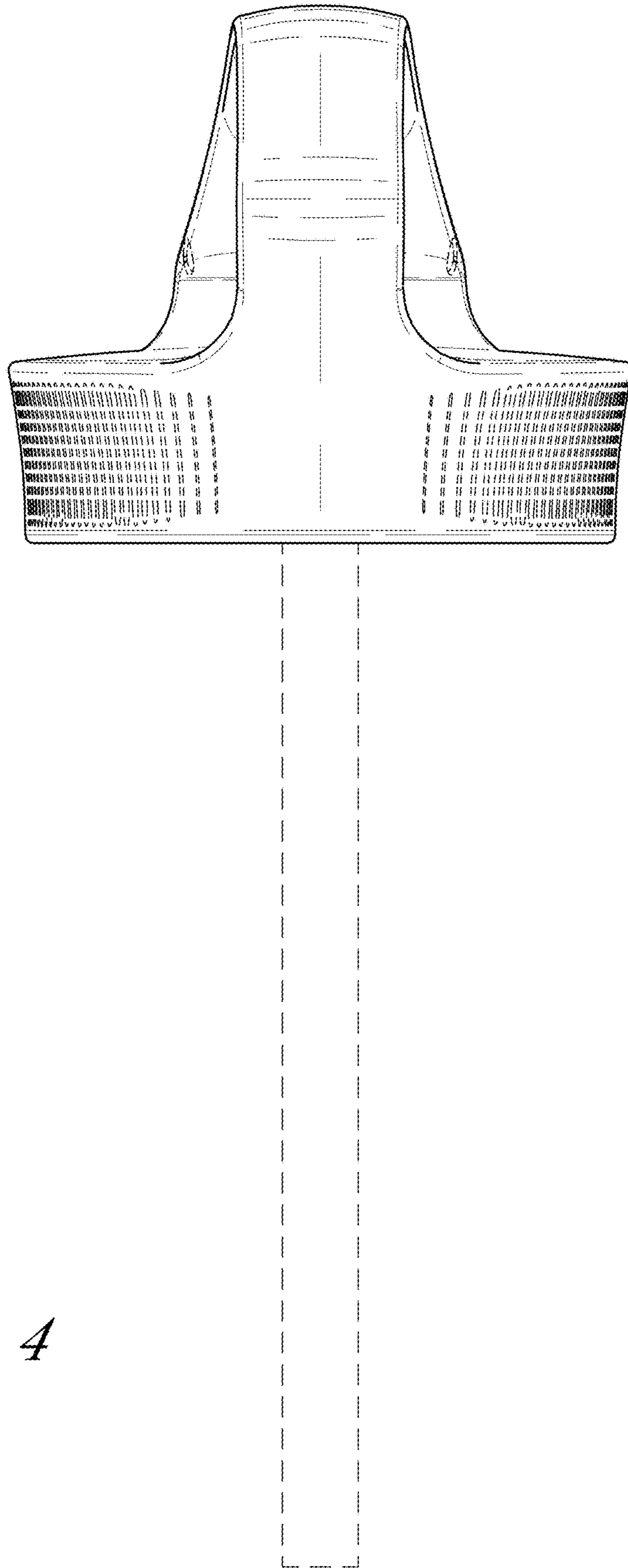


FIG. 4

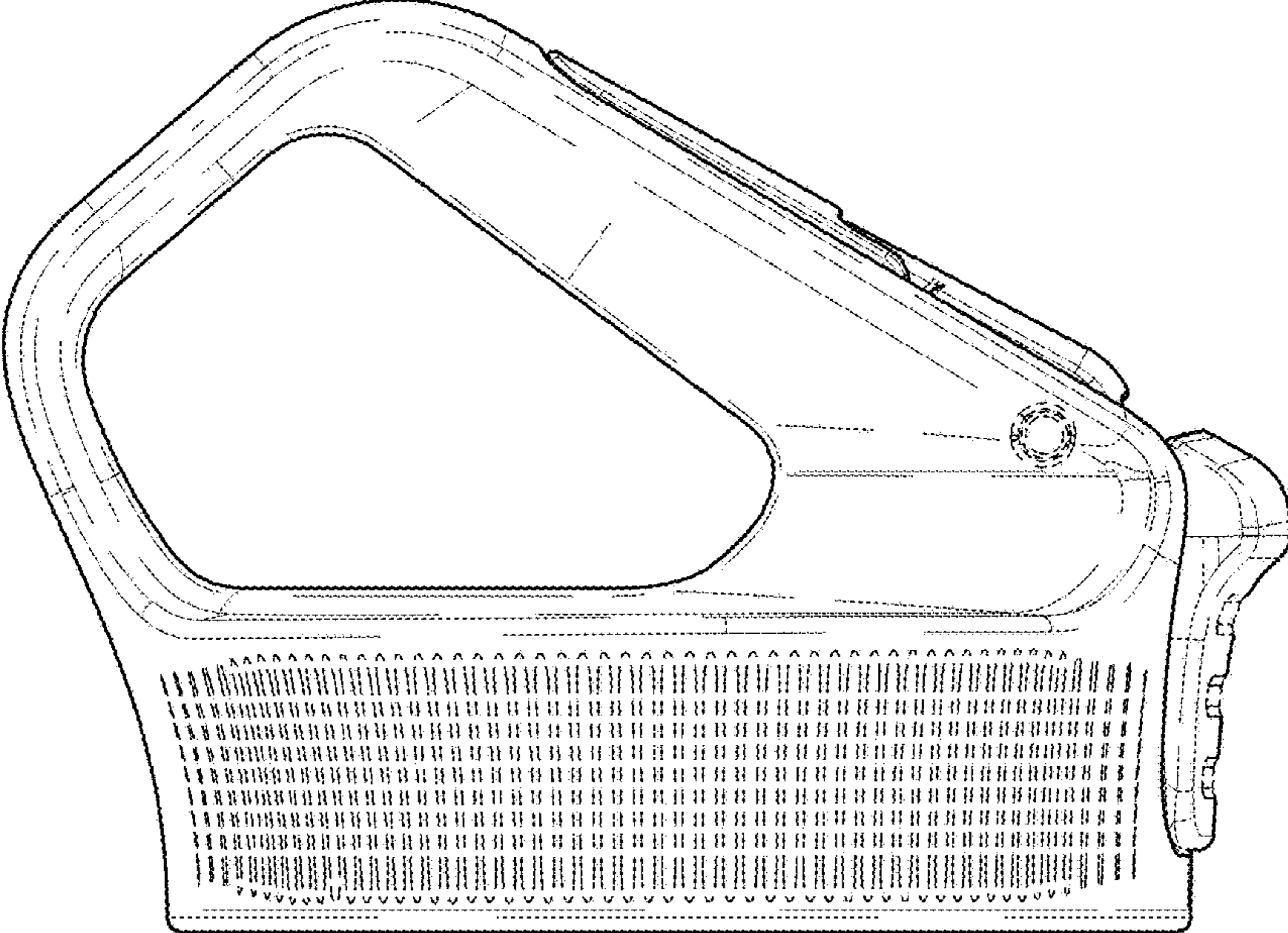
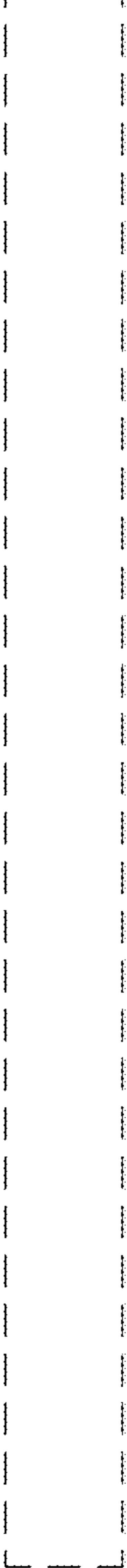


FIG. 5



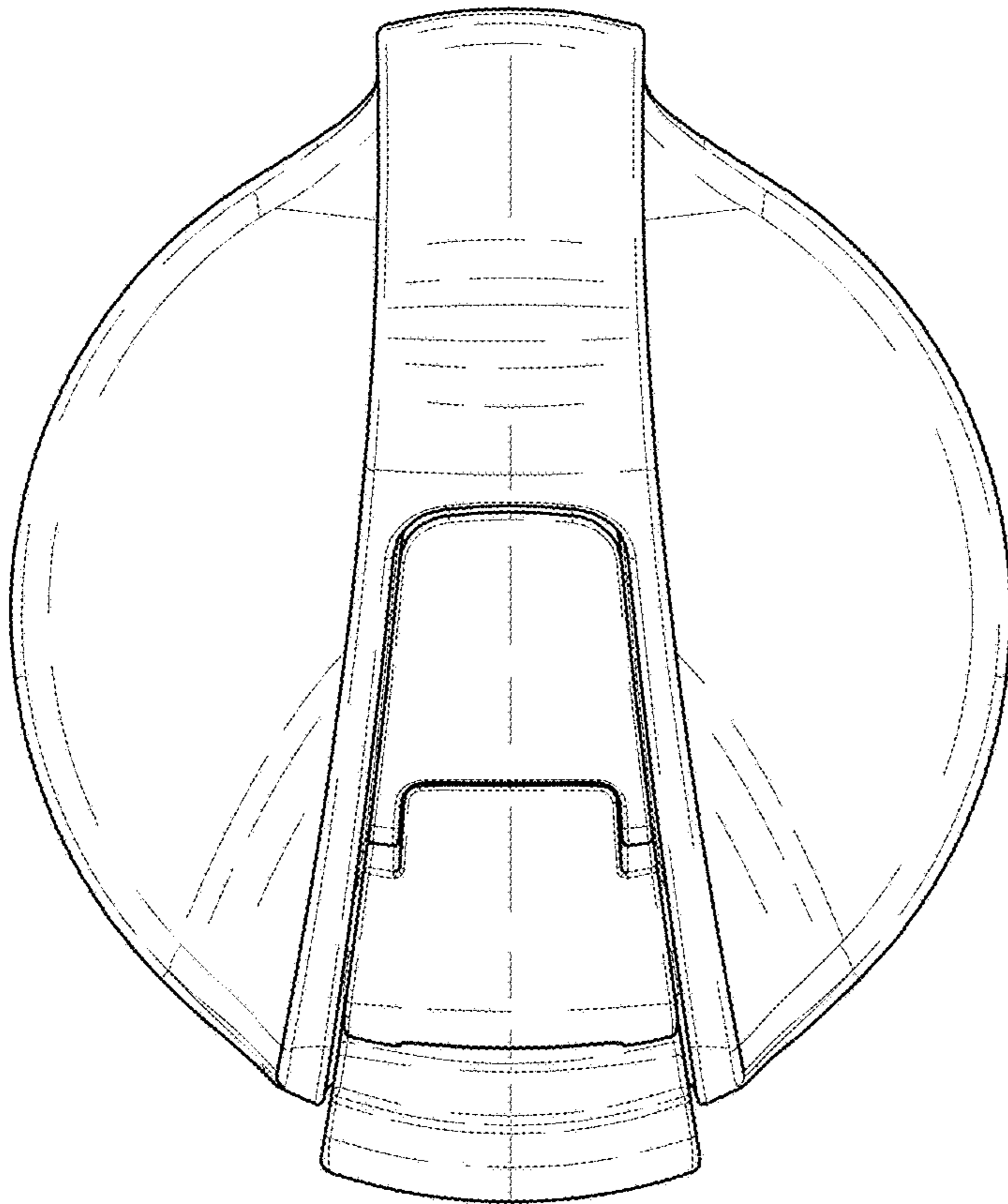


FIG. 6

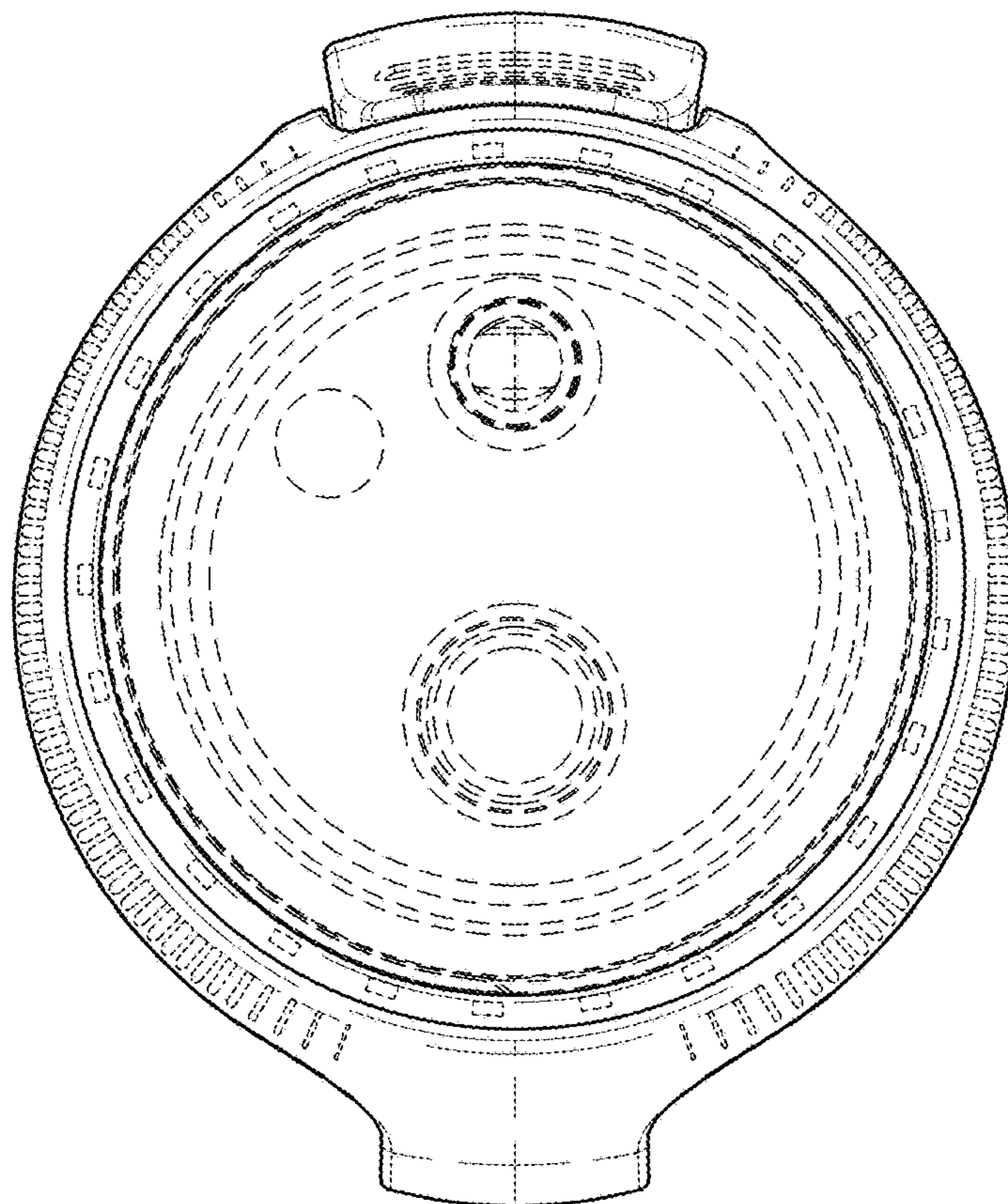


FIG. 7

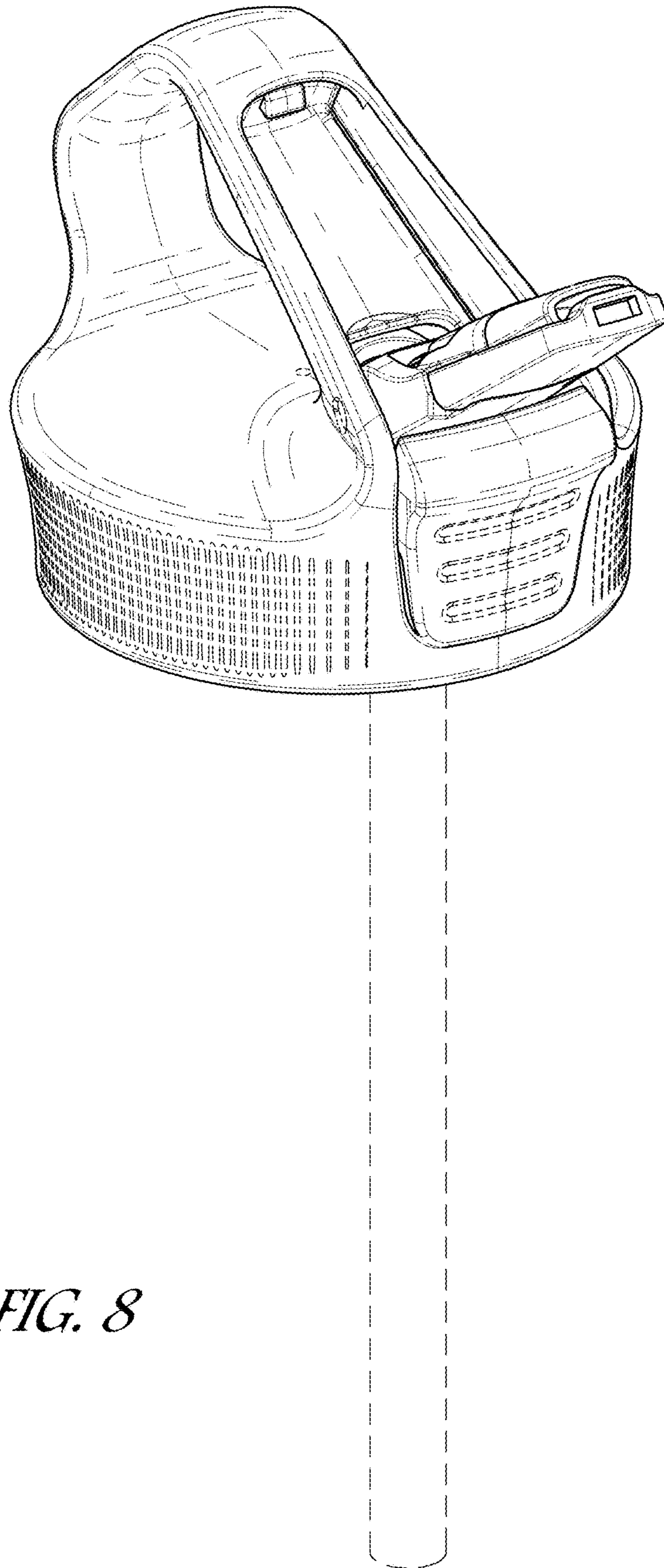


FIG. 8

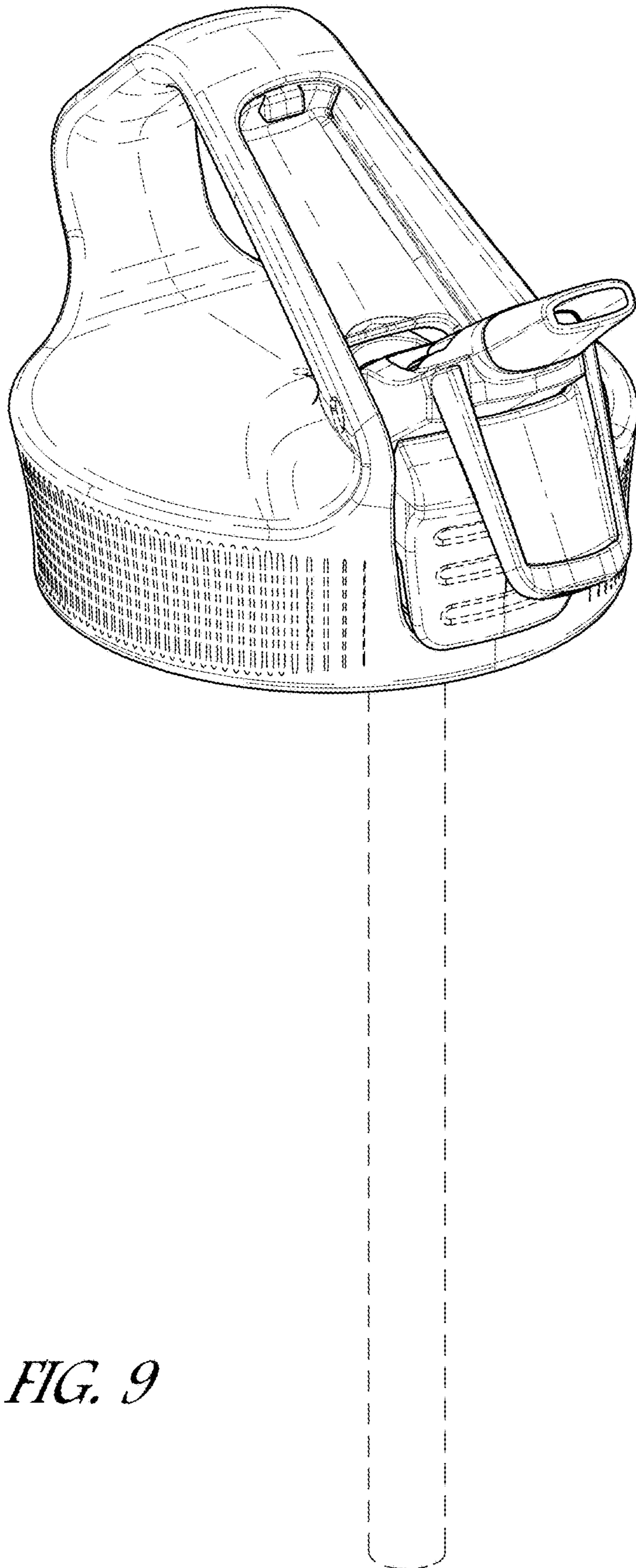


FIG. 9