

US00D801172S

(12) **United States Design Patent**
Bentkovski

(10) **Patent No.:** **US D801,172 S**

(45) **Date of Patent:** **** Oct. 31, 2017**

(54) **BOTTLE CAP**

B65D 39/0047; B65D 41/00; B65D 43/02; B05B 17/00; B05B 15/002

See application file for complete search history.

(71) Applicant: **WaterIO Ltd.**, Ness Ziona (IL)

(72) Inventor: **Yakov Bentkovski**, Ness Ziona (IL)

(73) Assignee: **WaterIO Ltd.**, Ness Ziona (IL)

(**) Term: **14 Years**

(21) Appl. No.: **29/510,290**

(22) Filed: **Nov. 26, 2014**

(51) **LOC (10) Cl.** **09-07**

(52) **U.S. Cl.**

USPC **D9/449**; D9/434; D9/435

(58) **Field of Classification Search**

USPC D3/202, 273, 275, 294; D7/300, 300.1, D7/396.2, 398, 509, 510, 511, 513, 525, D7/527, 529, 531, 619.1, 900; D9/434, D9/435, 436, 440, 447, 448, 449, 452, D9/453, 454; D19/70, 71, 93, 163, 194; D23/206, 260; D24/121, 127, 224; D26/36, 123, 124; D28/7, 76, 78, 82, 91; 215/201, 216, 224, 239, 235, 237, 243, 215/249, 256, 306, 316, 317, 396, 711, 215/724, 730, 731, 837, 847; 220/252, 220/254.1, 254.2, 258.2, 263, 367.1, 375; 222/109, 153.1, 153.11, 153.14, 464.1, 222/498, 546, 547, 562

CPC A45D 34/00; A45D 34/042; A45D 40/22; A45D 2040/0006; A45D 2040/0093; A47G 19/22; A47G 19/2205; A47G 19/2255; A47G 19/2266; B65D 1/02; B65D 1/0233; B65D 1/08; B65D 1/10; B65D 23/00; B65D 23/08; B65D 25/00; B65D 25/40; B65D 25/42; B65D 25/46; B65D 25/48; B65D 25/77; B65D 39/00;

(56) **References Cited**

U.S. PATENT DOCUMENTS

D530,202 S *	10/2006	Herald	D9/447
D530,203 S *	10/2006	Li	D9/449
D592,057 S *	5/2009	Guerin	D9/449
D625,605 S *	10/2010	Bardet	D9/449
D640,134 S *	6/2011	Rognard	D9/447
D673,042 S *	12/2012	Antier	D9/443
D708,521 S *	7/2014	Buschmann	D9/449
D727,730 S *	4/2015	Buschmann	D9/449

(Continued)

OTHER PUBLICATIONS

Smart Bottle_Announced Dec. 18, 2015 [online], site visited Aug. 26, 2016: Available from internet URL:<http://perfectchoicerefreshments.com/tag/beverage/>.*

Primary Examiner — Thomas Johannes

Assistant Examiner — Catherine Posthauer

(74) *Attorney, Agent, or Firm* — Pearl Cohen Zedek Latzer Baratz LLP

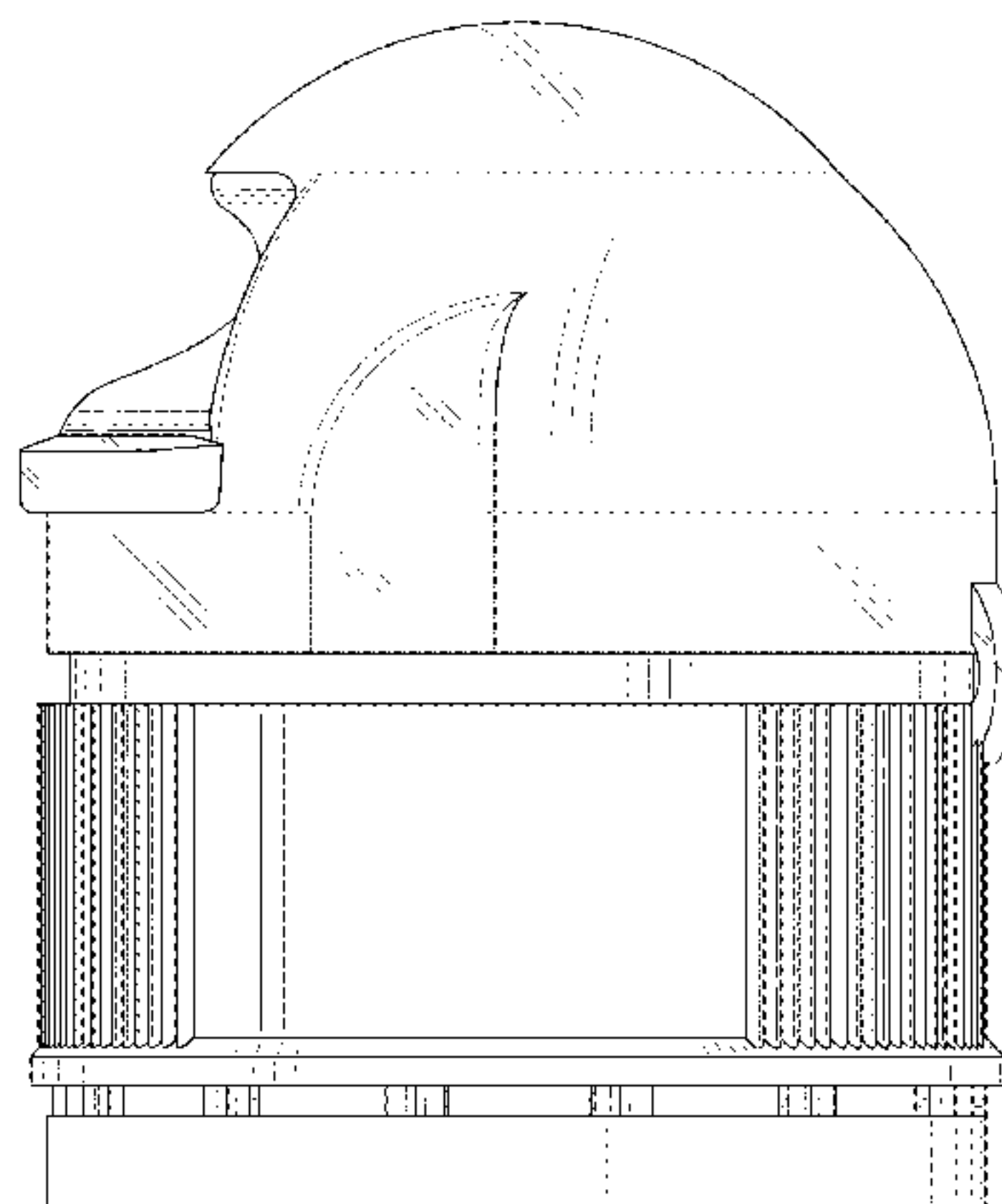
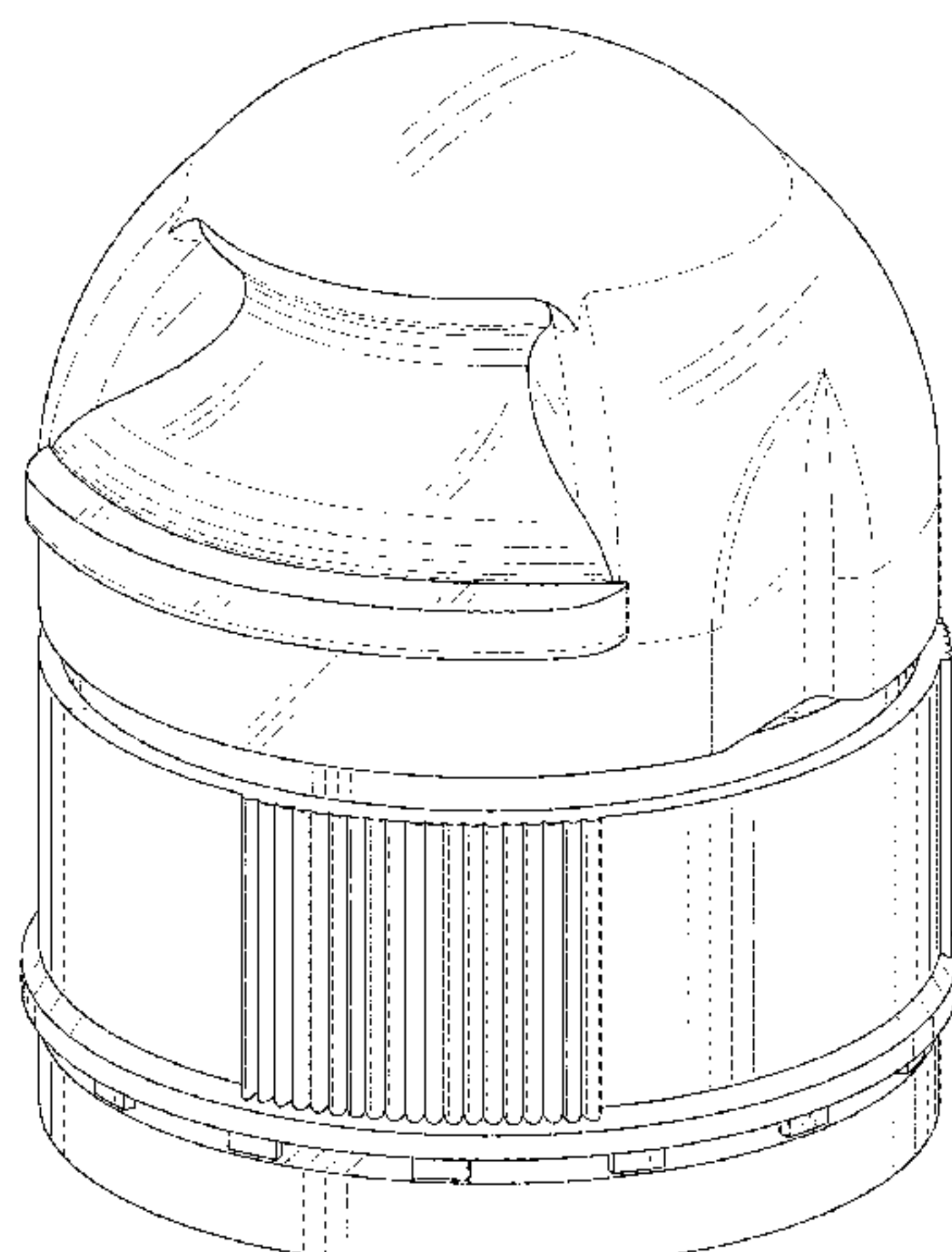
(57) **CLAIM**

The ornamental design for a bottle cap, as shown and described.

DESCRIPTION

FIG. 1 illustrates a front perspective view of the bottle cap; FIG. 2 illustrates a rear perspective view of the bottle cap; FIG. 3 illustrates a rear view of the bottle cap; FIG. 4 illustrates a front view of the bottle cap; FIG. 5 illustrates a right side view of the bottle cap; FIG. 6 illustrates a left side view of the bottle cap; FIG. 7 illustrates a top view of the bottle cap; and, FIG. 8 illustrates a bottom view of the bottle cap.

(Continued)



The broken lines are shown for the purpose of illustrating parts of the bottle cap that form no part of the claimed design.

1 Claim, 8 Drawing Sheets

(56) **References Cited**

U.S. PATENT DOCUMENTS

D738,737	S *	9/2015	McCay	D9/449
D743,789	S *	11/2015	Wisniewski	D9/447
D747,651	S *	1/2016	Hawry	D9/449
D748,983	S *	2/2016	Orasche	D9/449
2004/0182814	A1 *	9/2004	Suffa	B65D 50/046 215/216
2004/0188374	A1 *	9/2004	Ochoa Laburu	B65D 41/34 215/235
2014/0097150	A1 *	4/2014	Antier	B65D 47/08 215/354

* cited by examiner

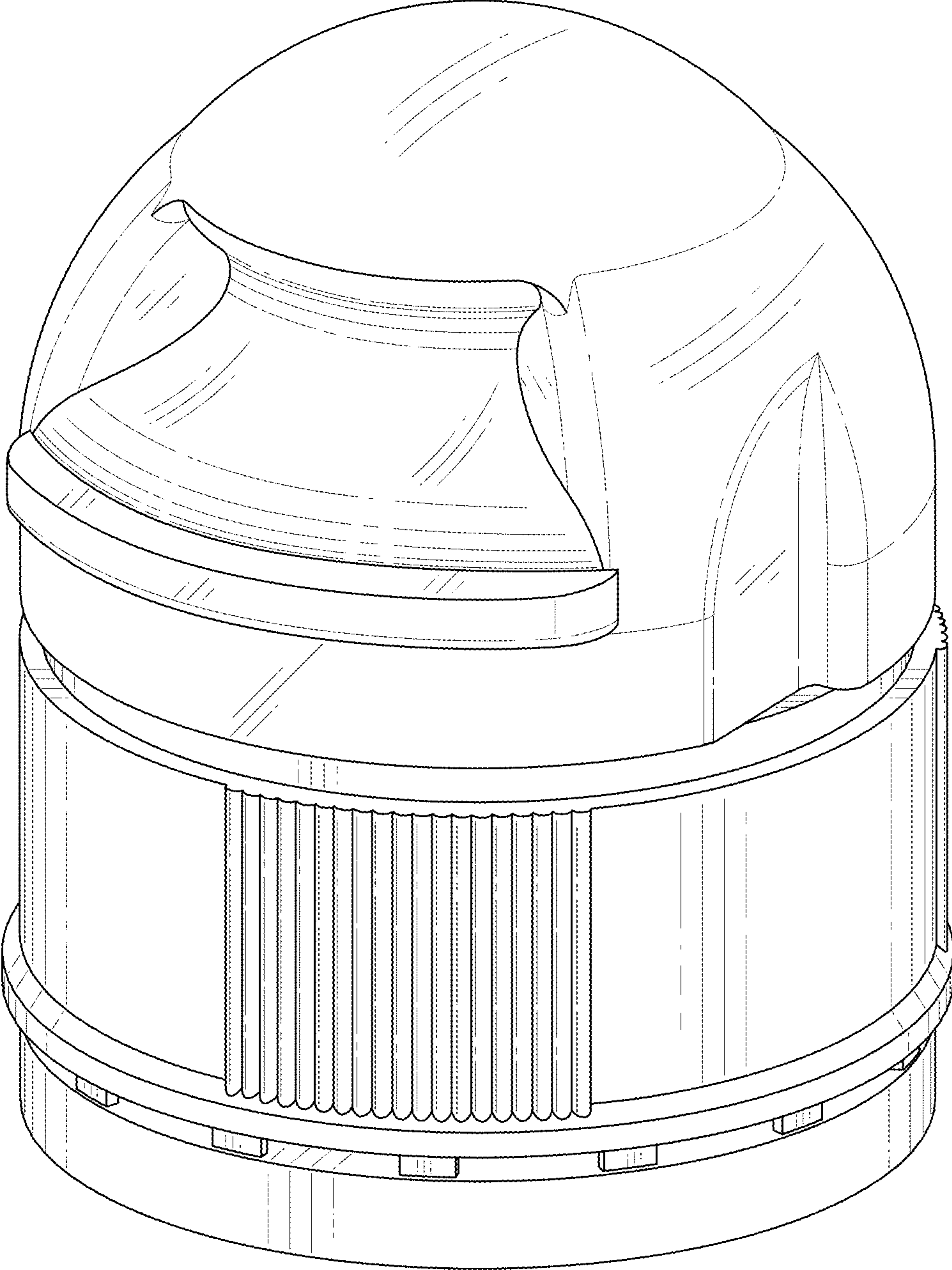


FIG. 1

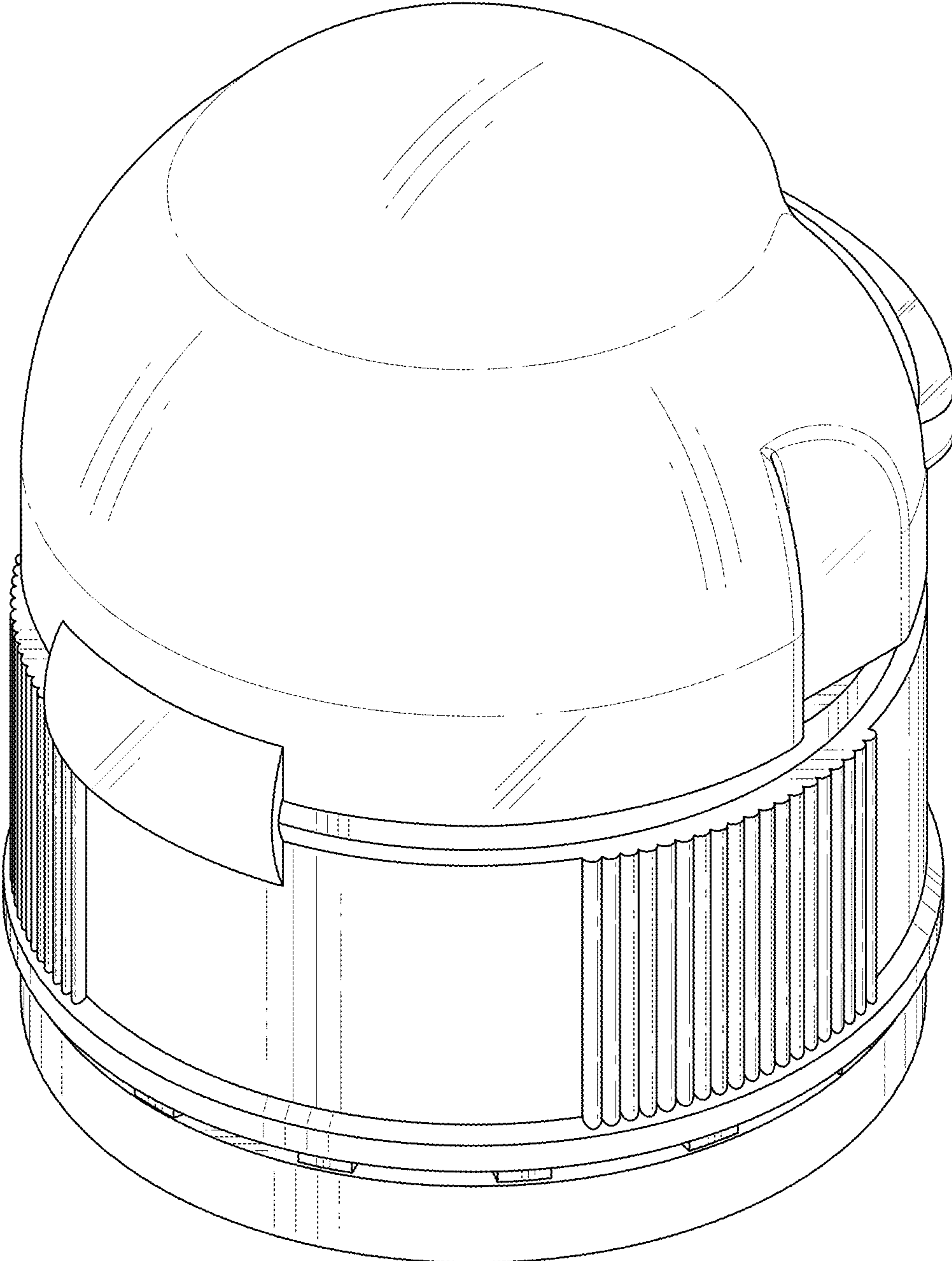


FIG. 2

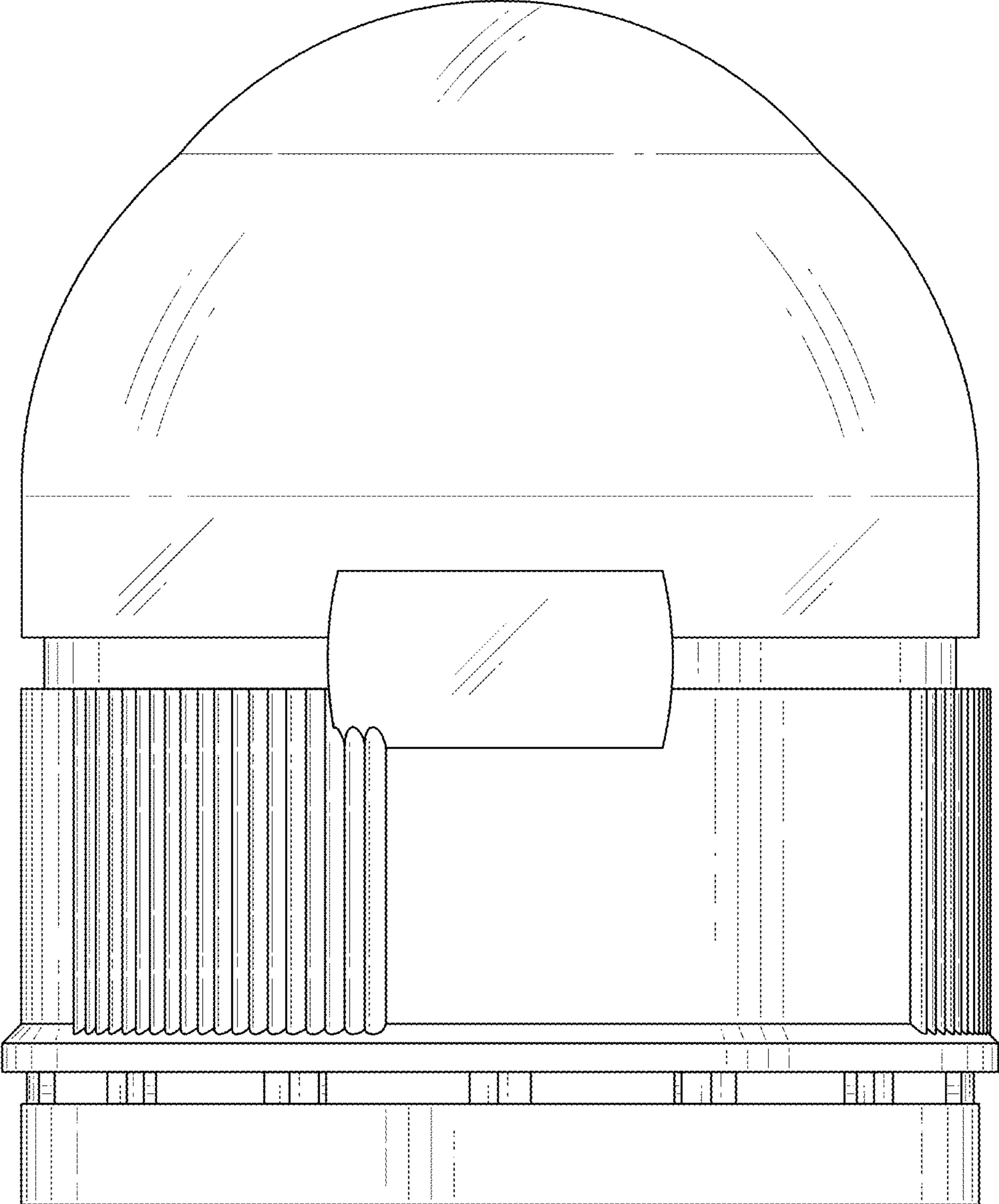


FIG. 3

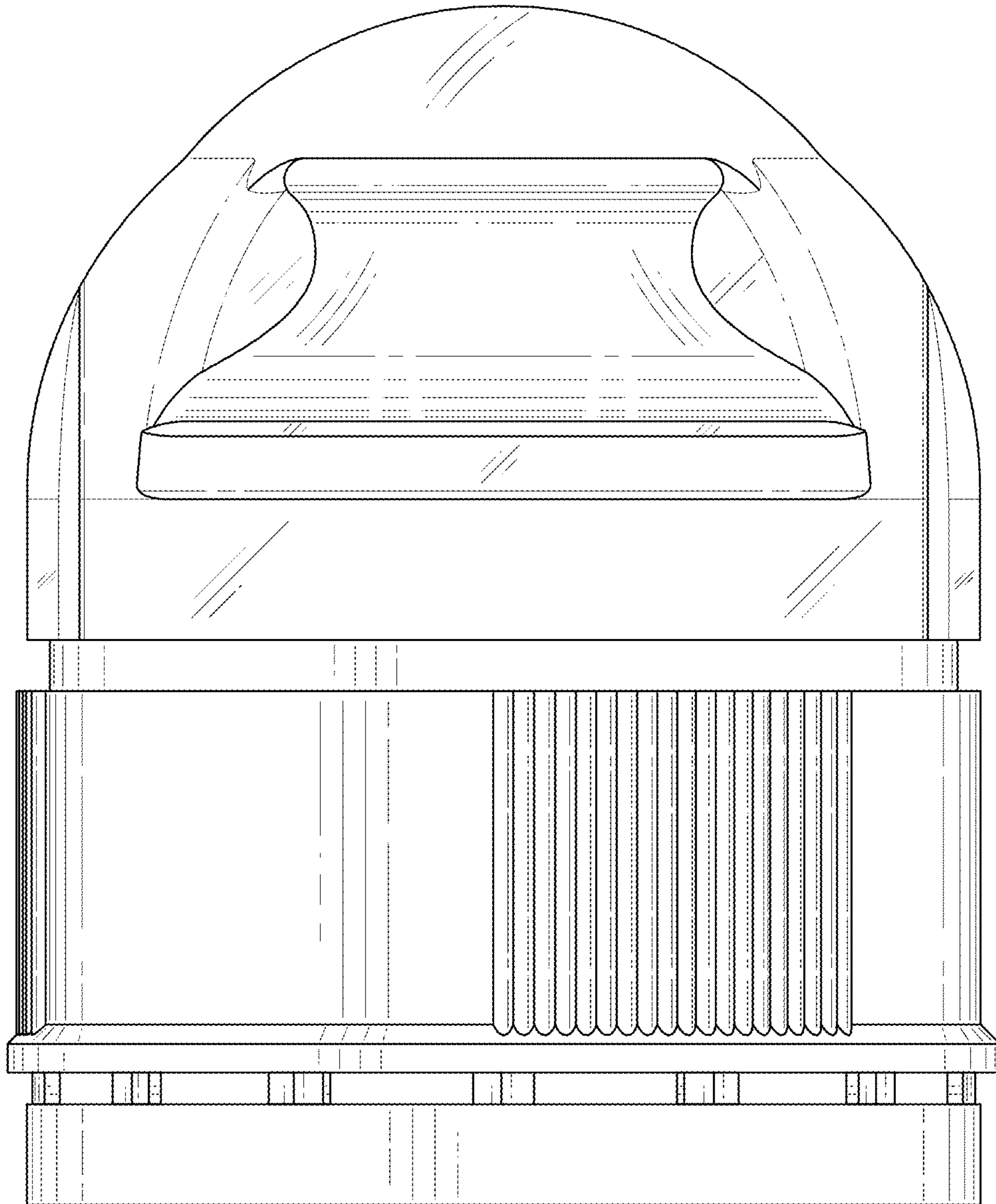


FIG. 4

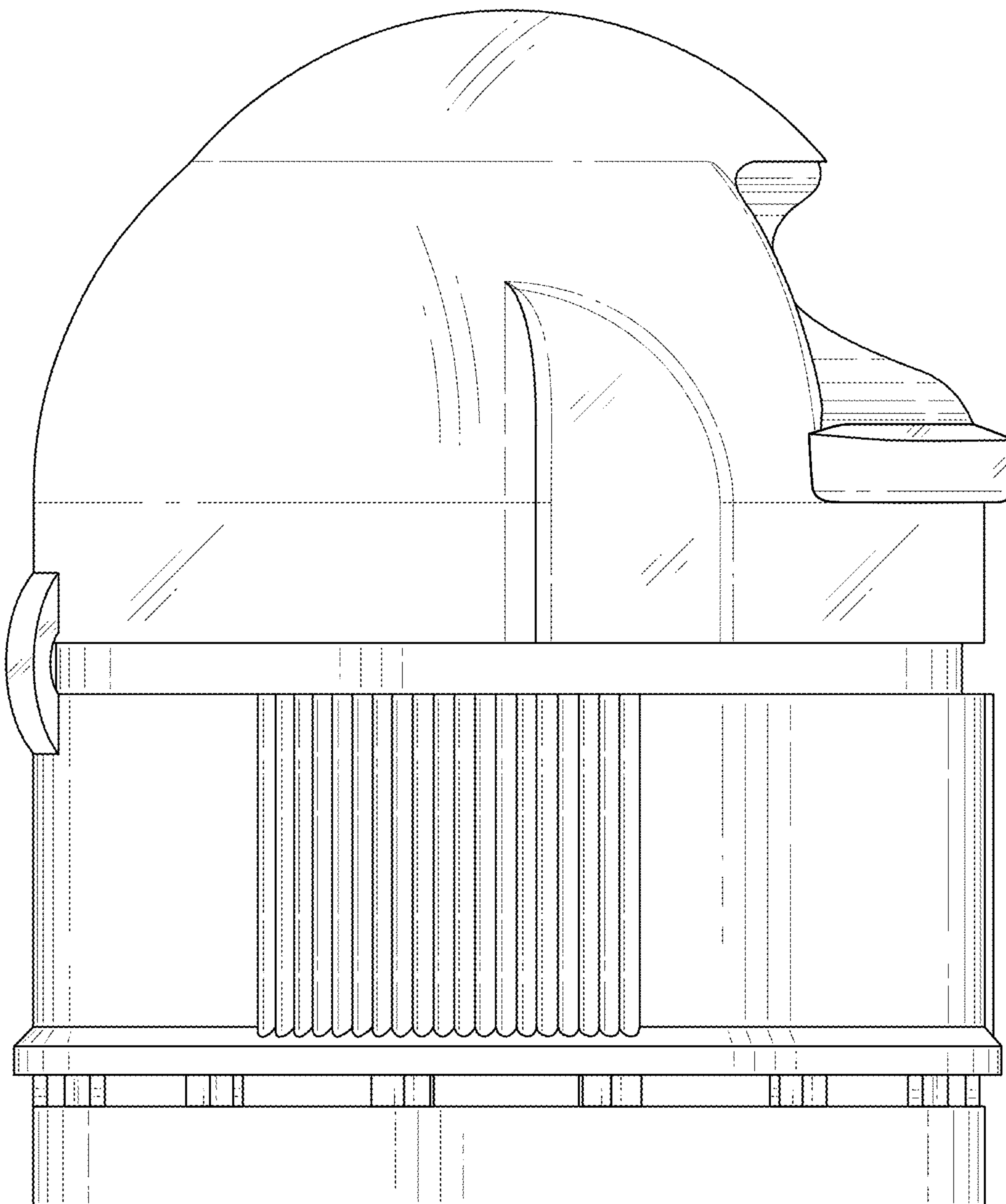


FIG. 5

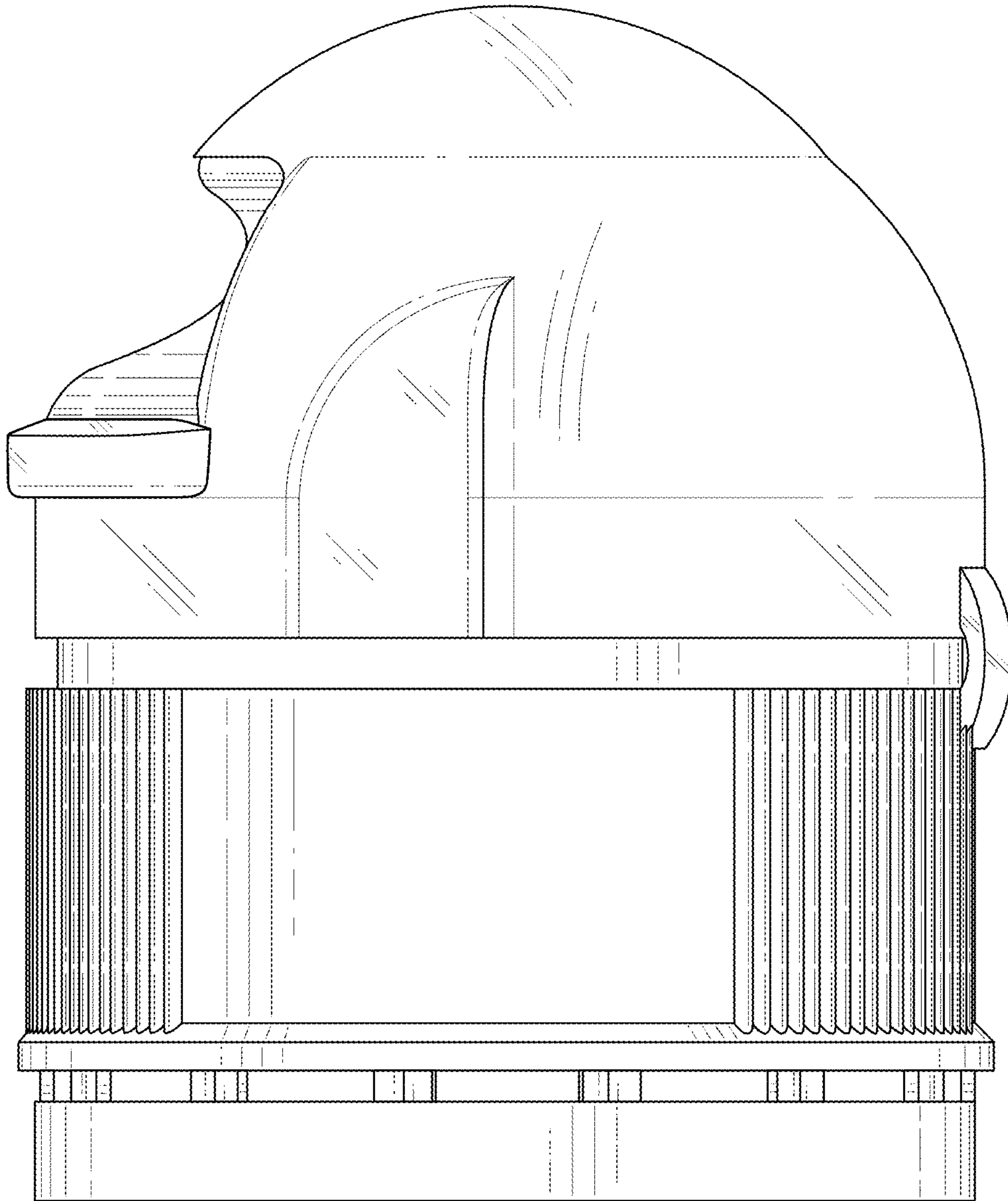


FIG. 6

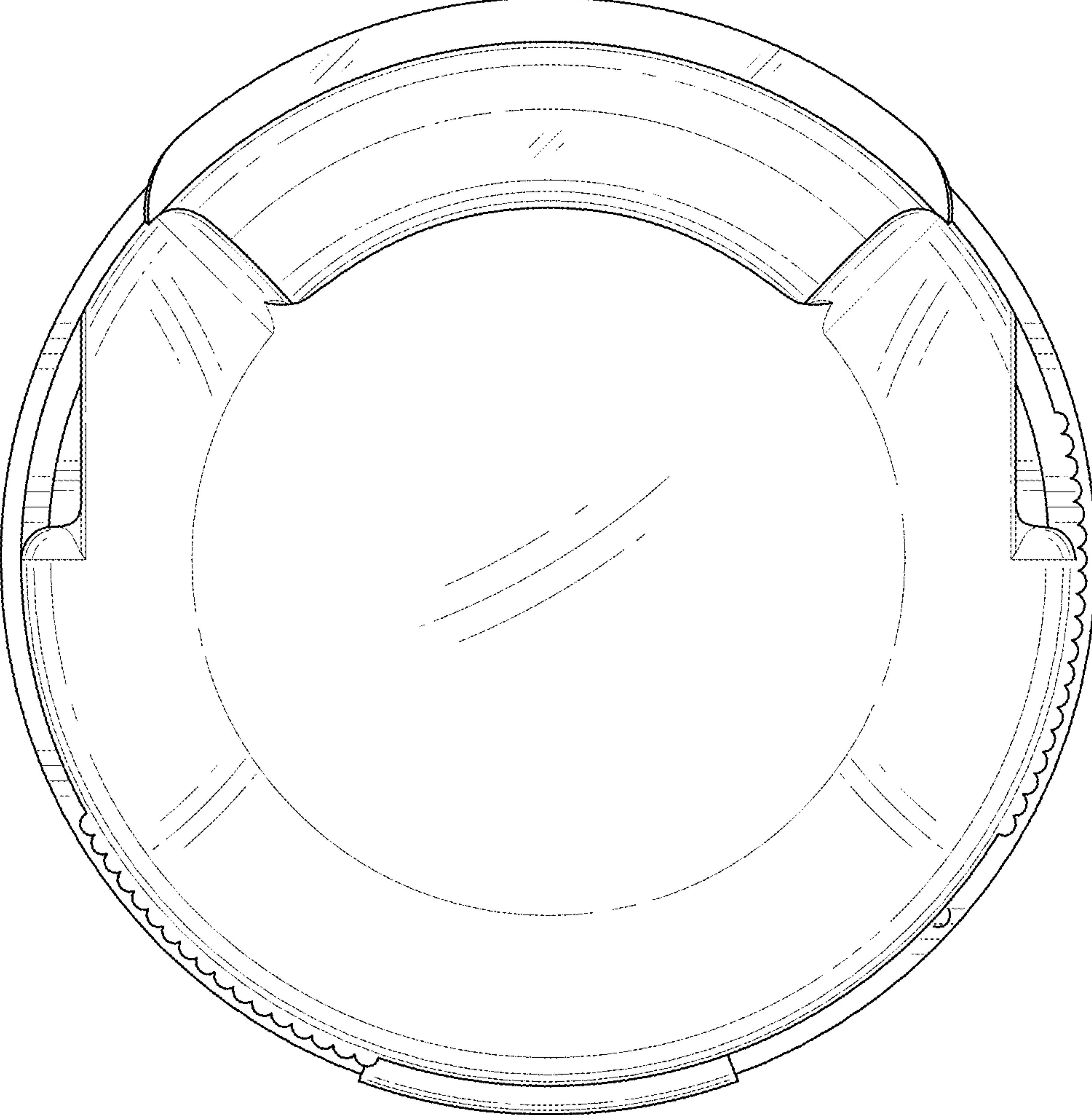


FIG. 7

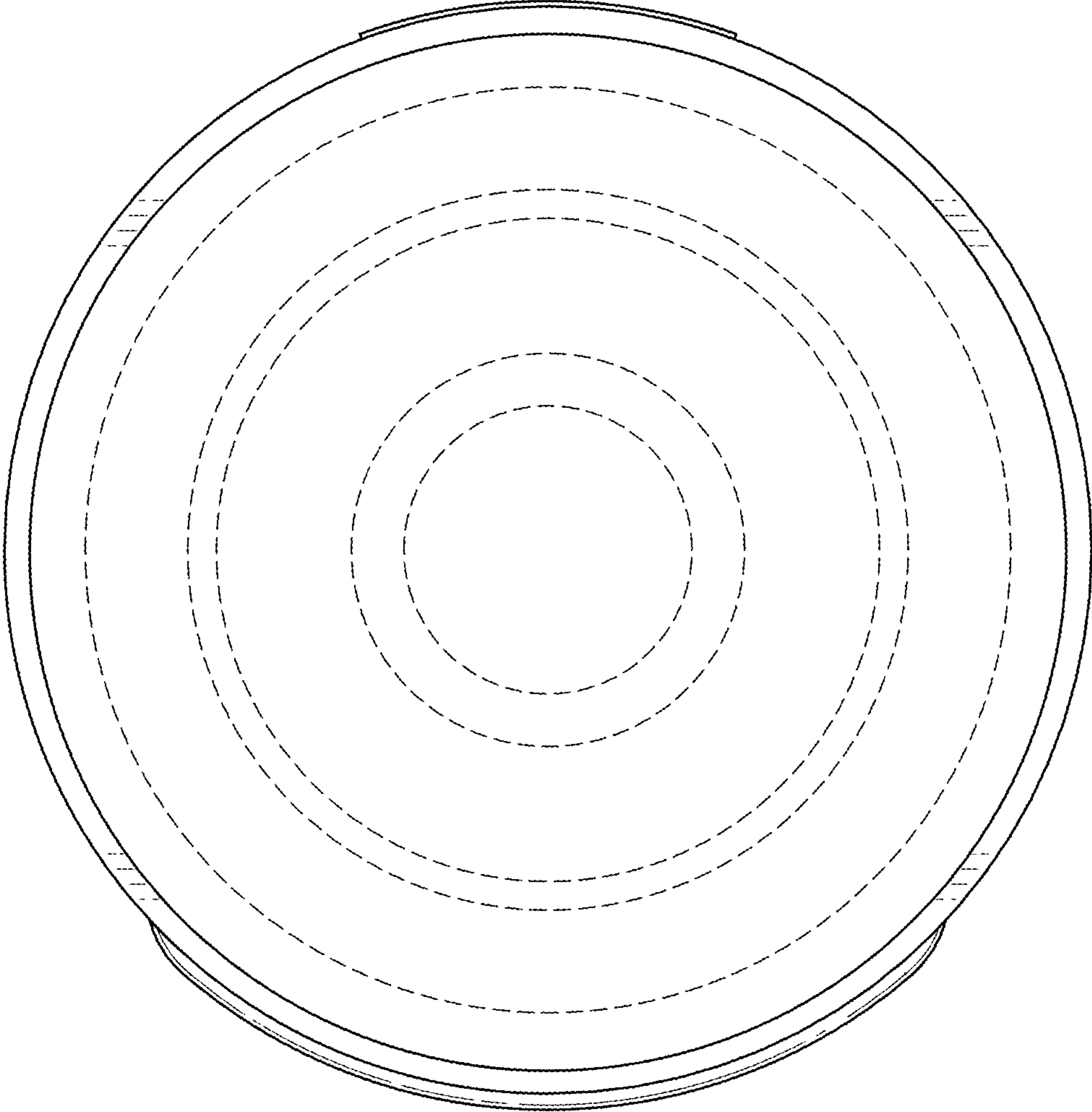


FIG. 8