



US00D801171S

(12) **United States Design Patent**
Eziquiel-Shriro et al.

(10) **Patent No.:** **US D801,171 S**
(45) **Date of Patent:** **** Oct. 31, 2017**

(54) **PUMP HANDLE**

(71) Applicant: **Berlin Packaging, LLC**, Chicago, IL
(US)

(72) Inventors: **Jonathan Eziquiel-Shriro**, Chicago, IL
(US); **Kieron Tse**, Mt. Prospect, IL
(US)

(73) Assignee: **Berlin Packaging, LLC**, Chicago, IL
(US)

(**) Term: **15 Years**

(21) Appl. No.: **29/574,878**

(22) Filed: **Aug. 19, 2016**

(51) **LOC (10) Cl.** **09-07**

(52) **U.S. Cl.**
USPC **D9/448**

(58) **Field of Classification Search**
USPC D9/414, 417, 428, 432, 434, 435,
D9/443-450, 452-456, 499, 682-685;
D7/387, 392, 392.1, 393, 396.1-396.4,
D7/398, 401.1, 507, 509-511, 538, 900;
D3/202, 294, 318; D28/91.1; D6/580,
D6/699, 699.4, 702; D8/349, 354, 382,
D8/107, 300, 321, 322
CPC .. A61J 1/00; A61J 1/1412; B65D 1/00; B65D
1/02; B65D 1/10; B65D 1/46; B65D
2585/56; B65D 2585/545; B65D 41/00;
B65D 41/38; B65D 41/56; B65D 41/62;
B65D 47/00; B65D 47/06; B65D 47/08;
B65D 2543/00046; B65D 2543/00092;
B65D 2543/00296; B65D 5/46; B65D
2251/00

See application file for complete search history.

(56) **References Cited**

U.S. PATENT DOCUMENTS

D253,398 S * 11/1979 Niemeyer D9/448
4,815,361 A * 3/1989 Chiarella B62J 1/18
297/214

D371,295 S * 7/1996 Wadsworth D9/448
D381,580 S * 7/1997 Kokenge D9/447
D392,887 S * 3/1998 Wadsworth D9/448
D415,427 S * 10/1999 Durliat D9/448
D416,154 S * 11/1999 Diehl D6/542
D418,418 S * 1/2000 Wadsworth D9/448

(Continued)

Primary Examiner — Karen S Acker

Assistant Examiner — Wendy Arminio

(74) *Attorney, Agent, or Firm* — Adam K. Sacharoff;
Much Shelist, P.C.

(57) **CLAIM**

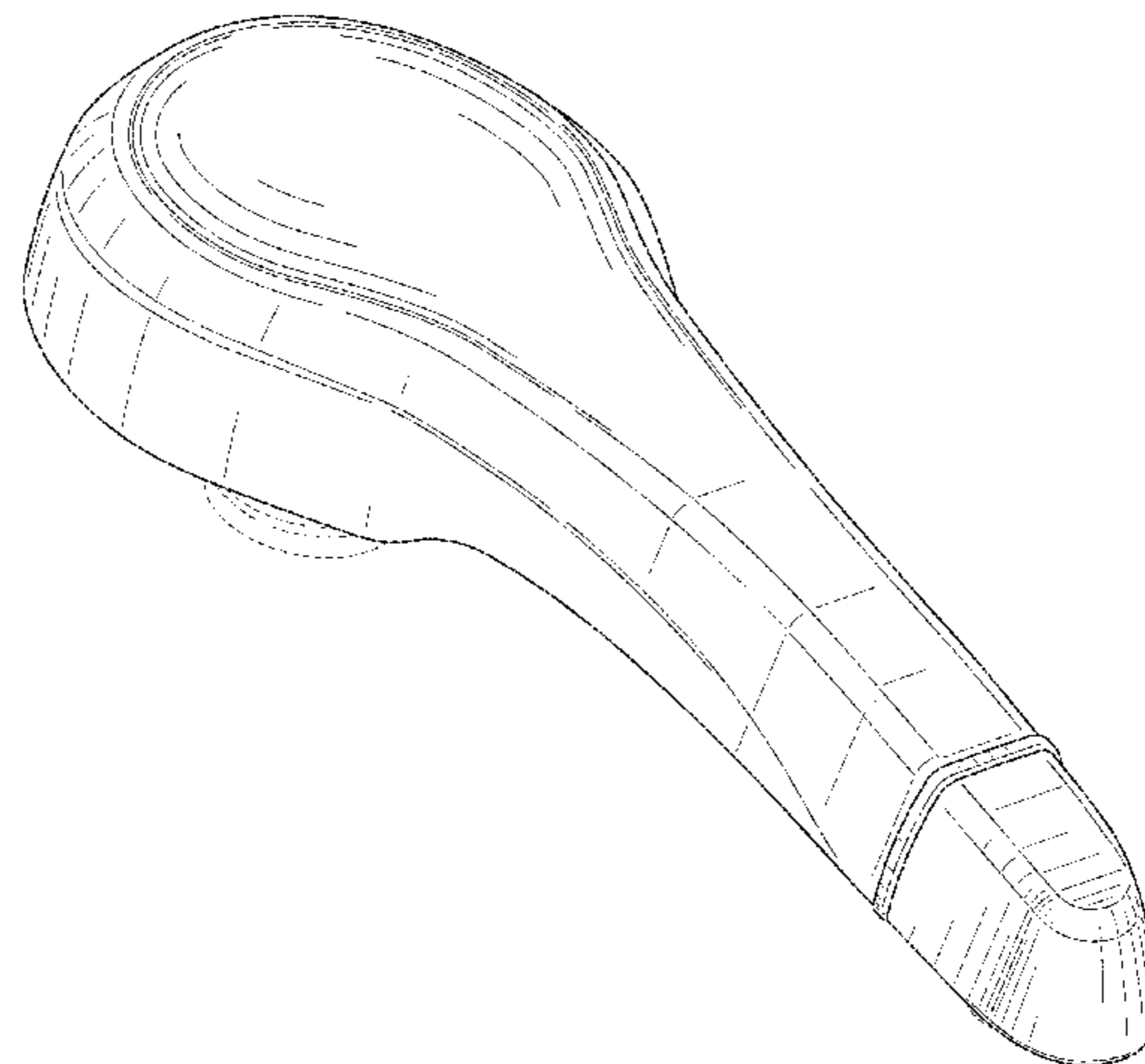
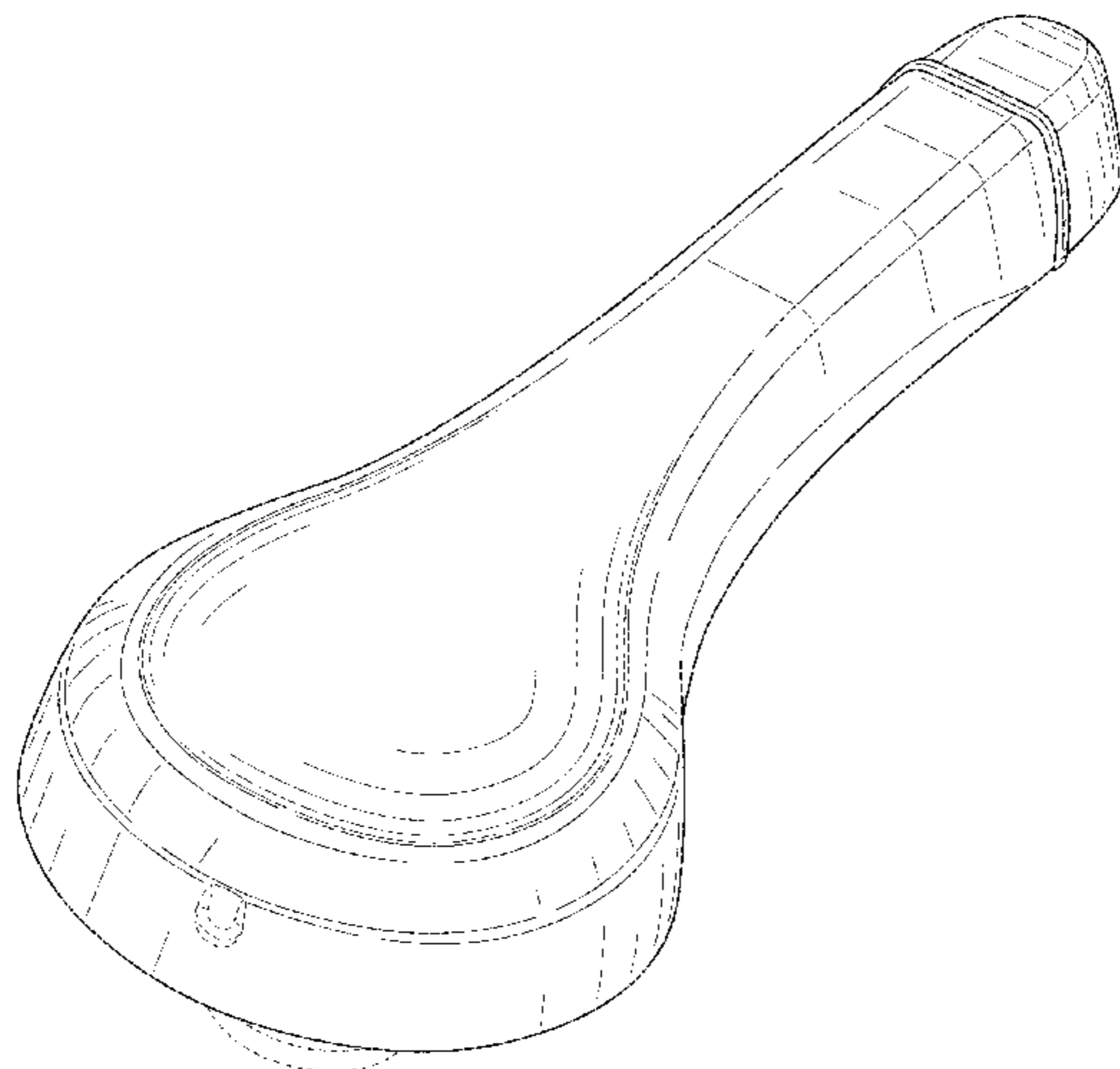
The ornamental design for a pump handle, as shown and described.

DESCRIPTION

FIG. 1 is a front right side perspective view showing the new design for a pump handle;
FIG. 2 is a rear right side perspective view thereof;
FIG. 3 is a front left side perspective view, taken from beneath the pump handle;
FIG. 4 is another perspective view, taken from beneath the pump handle;
FIG. 5 is a rear view thereof;
FIG. 6 is a front view thereof;
FIG. 7 is a left side view thereof;
FIG. 8 is a right side view thereof;
FIG. 9 is a top plan view thereof; and,
FIG. 10 is a bottom plan view thereof.

The broken lines surrounding the two bottom interior sections of the pump handle form the boundaries to the claim and form no part thereof. All broken line structures within the boundaries represent portions of the pump handle that are not included in the claim. The broken lines on the outside of the pump handle depict portions of the article that form no part of the claimed design.

1 Claim, 8 Drawing Sheets



(56)

References Cited

U.S. PATENT DOCUMENTS

D419,446	S *	1/2000	Durliat	D9/448
D427,527	S *	7/2000	Wise	D9/448
D445,686	S *	7/2001	Danielo	D9/448
D466,017	S *	11/2002	Kuo	D9/448
D488,378	S *	4/2004	Costa	D9/448
D499,966	S *	12/2004	Arminak	D9/448
D505,326	S *	5/2005	Costa	D9/448
D567,652	S *	4/2008	Binderbauer	D9/448
D574,707	S *	8/2008	Pietrowski	D9/448
D586,212	S *	2/2009	Allen	D9/448
D595,132	S *	6/2009	Tseng	D9/448
D601,422	S *	10/2009	Benavidez	D9/448
D629,307	S *	12/2010	Hirst	D9/682
D639,573	S *	6/2011	Bertoncello	D6/354
2009/0108023	A1 *	4/2009	Houghton	A45D 34/00 222/153.13
2014/0070576	A1 *	3/2014	Wu	B62J 1/18 297/214
2016/0052579	A1 *	2/2016	Yu	B62J 1/00 297/195.1
2016/0101820	A1 *	4/2016	Sinn	B62J 1/20 297/219.11

* cited by examiner

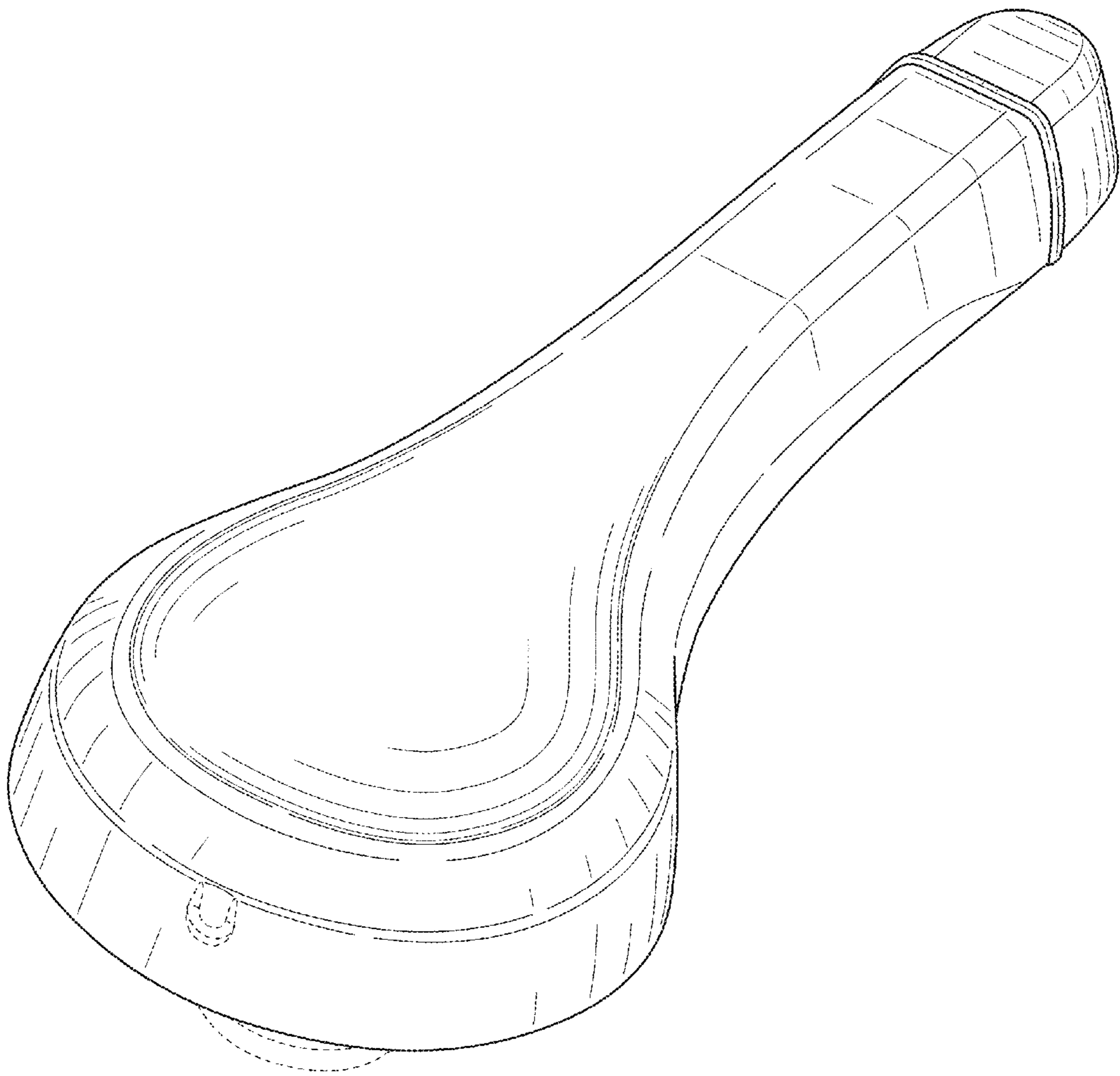


FIG. 1

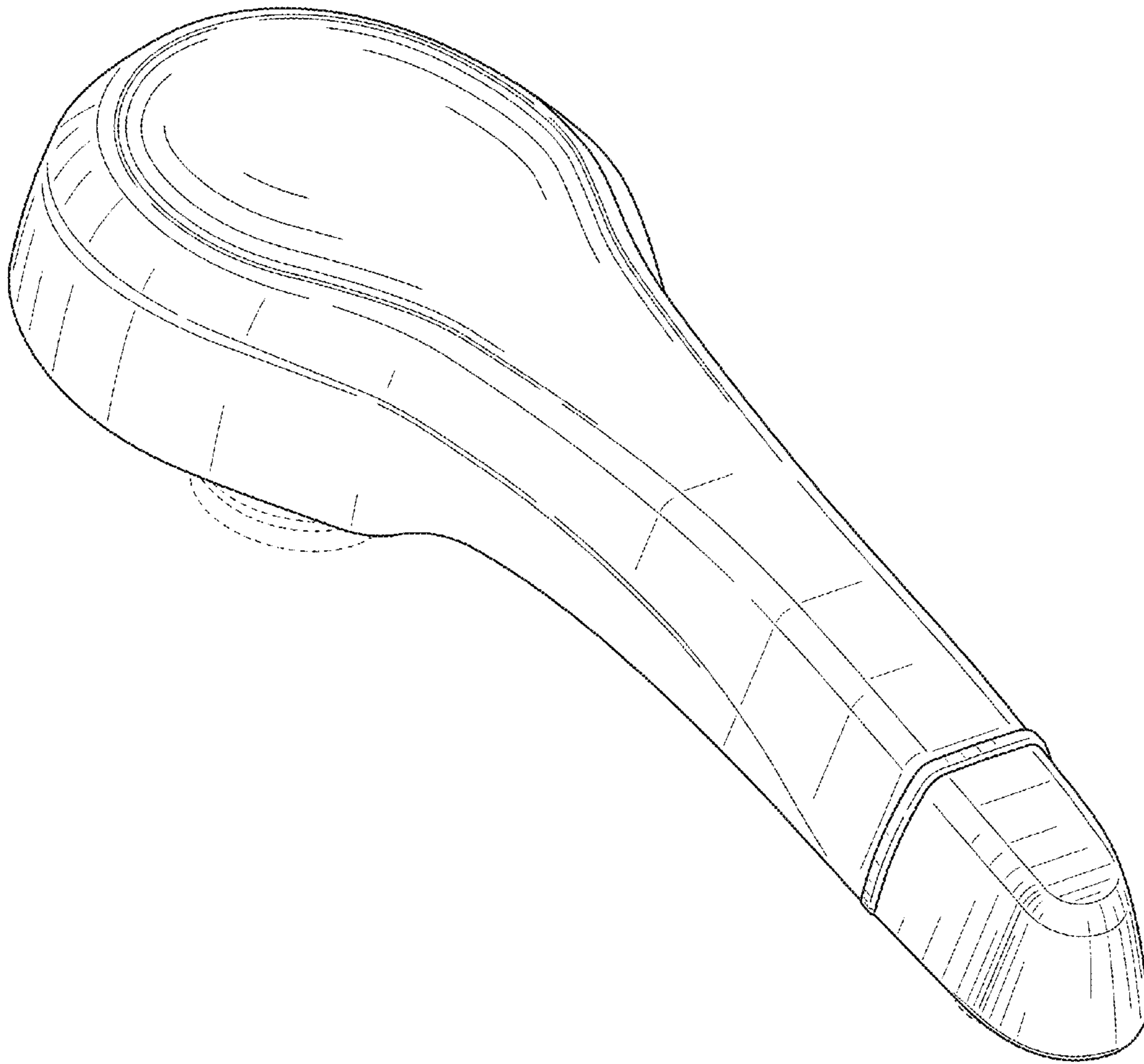


FIG. 2

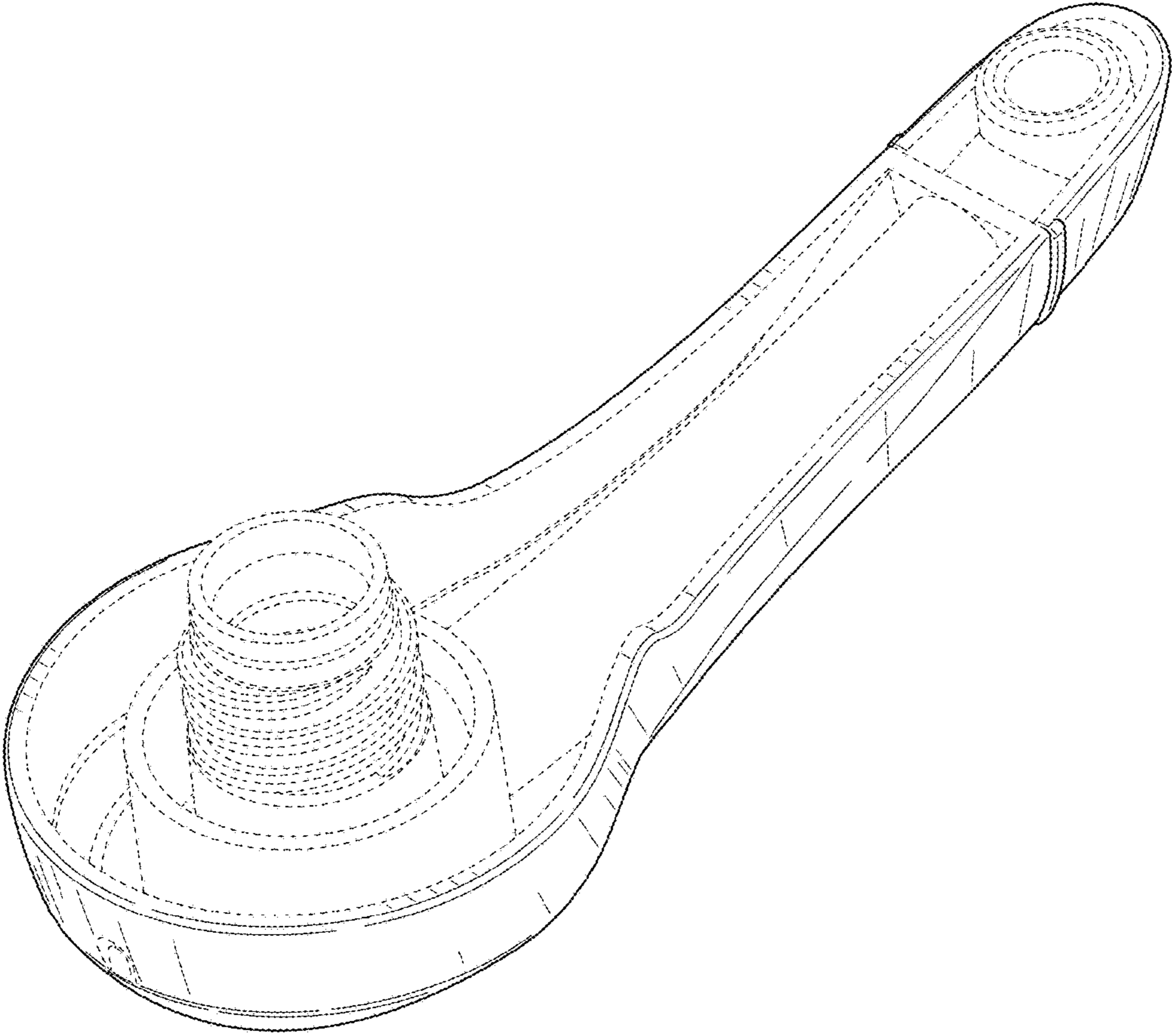


FIG. 3

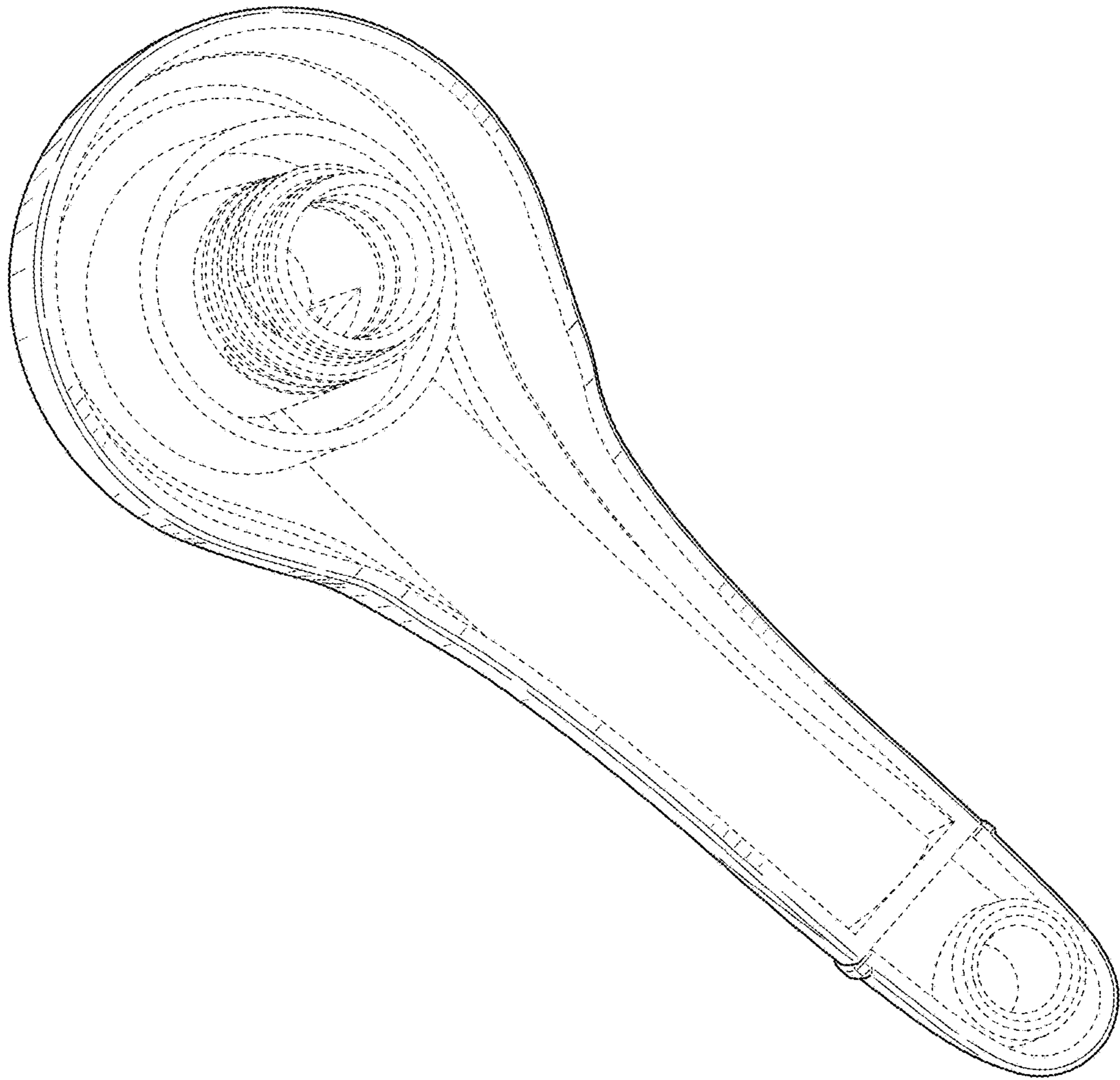


FIG. 4

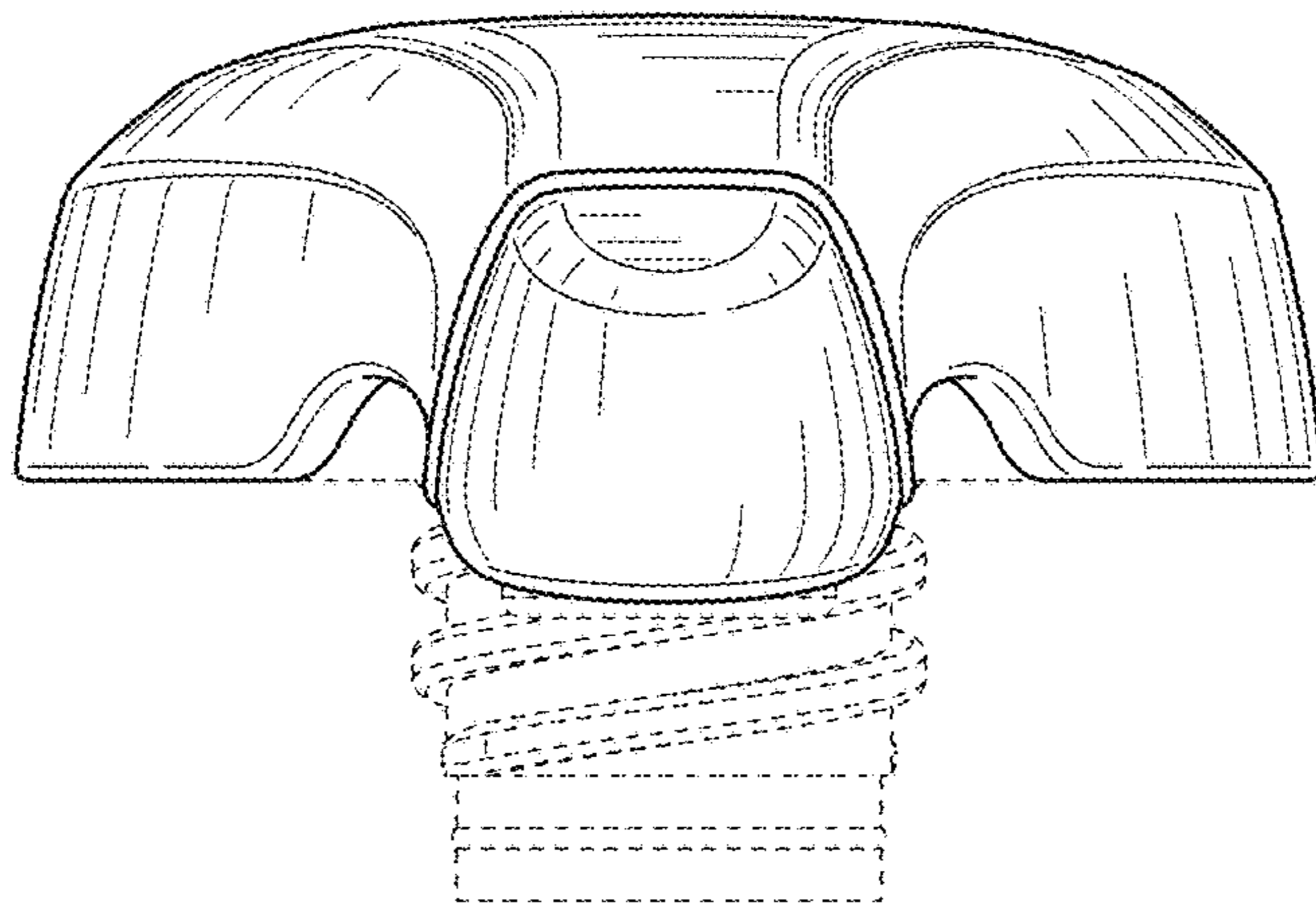


FIG. 5

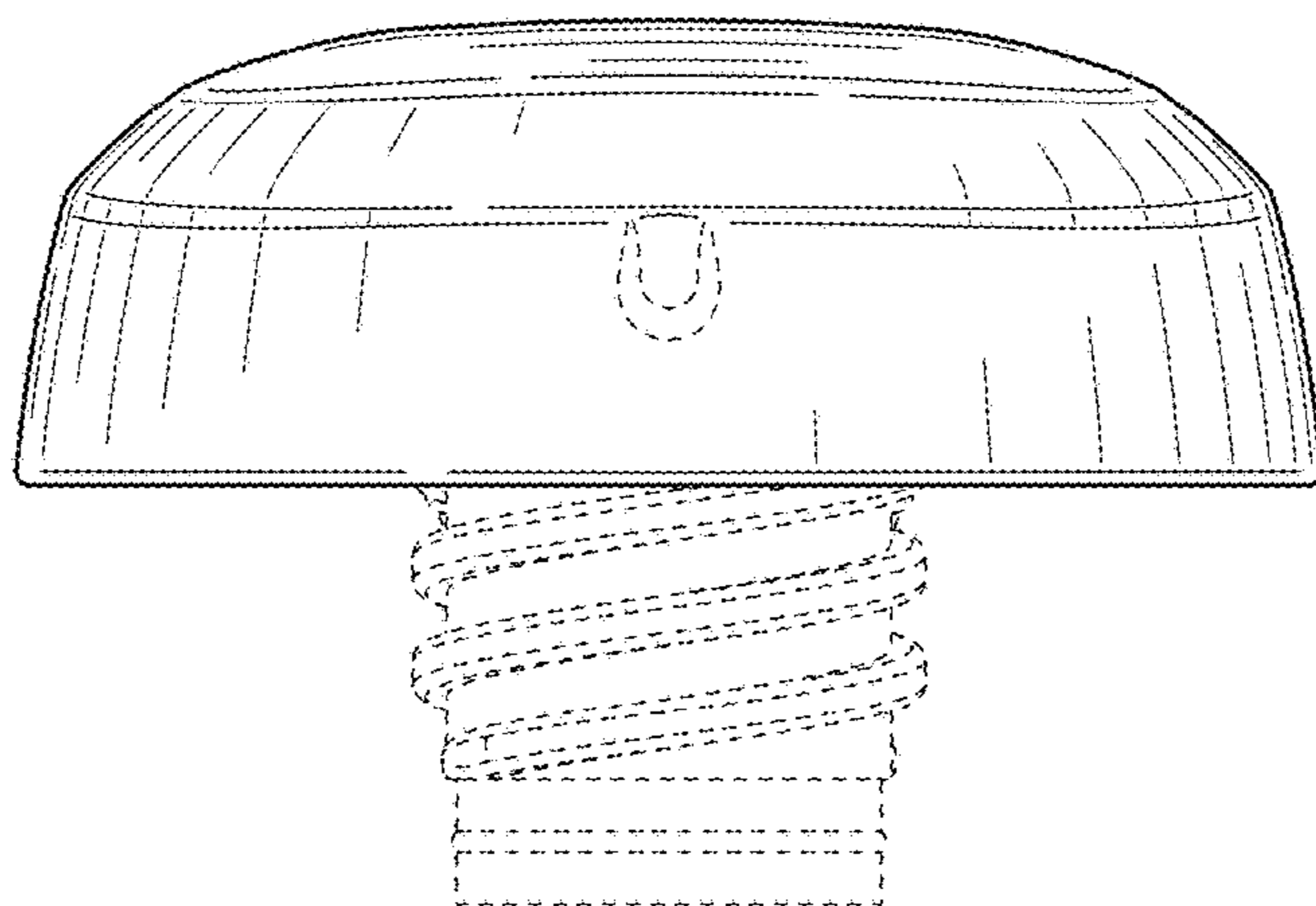


FIG. 6

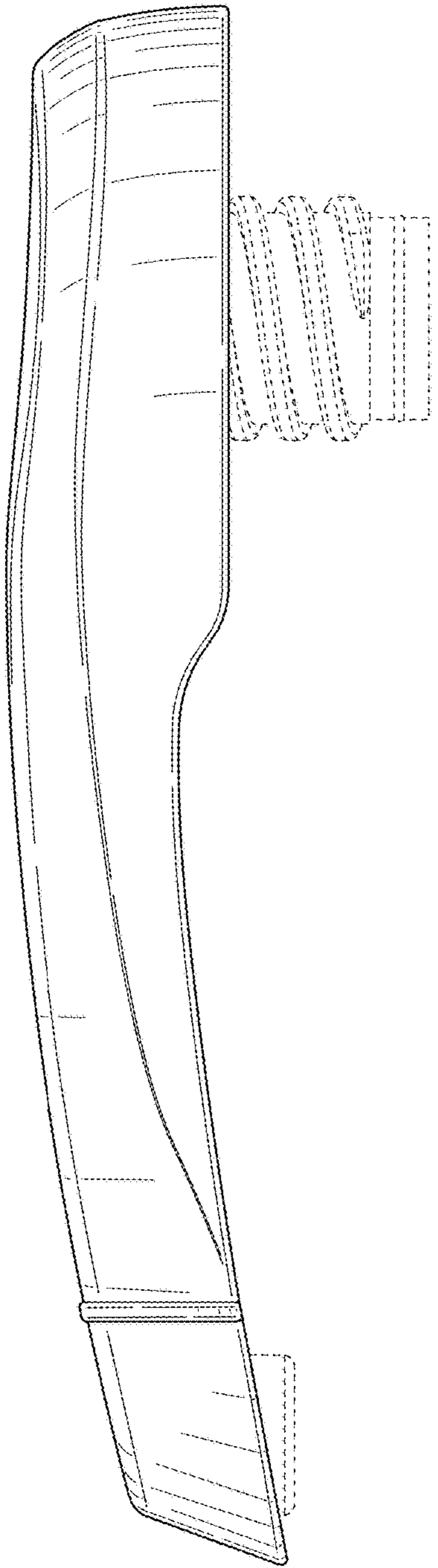


FIG. 7

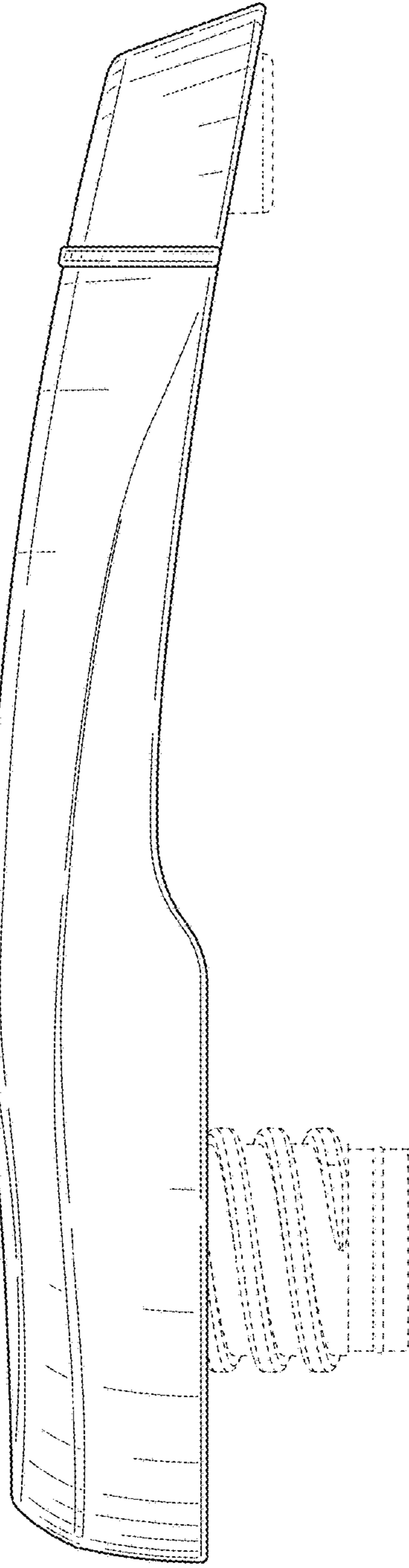


FIG. 8

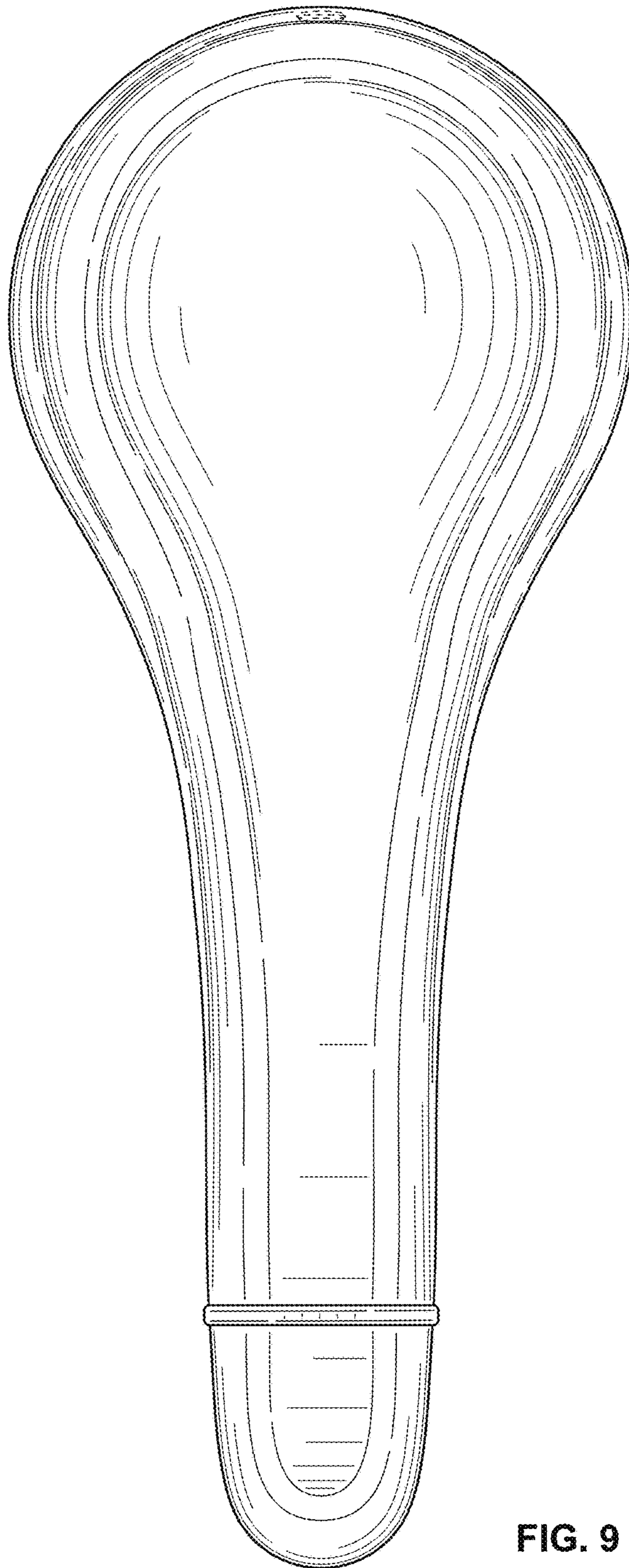


FIG. 9

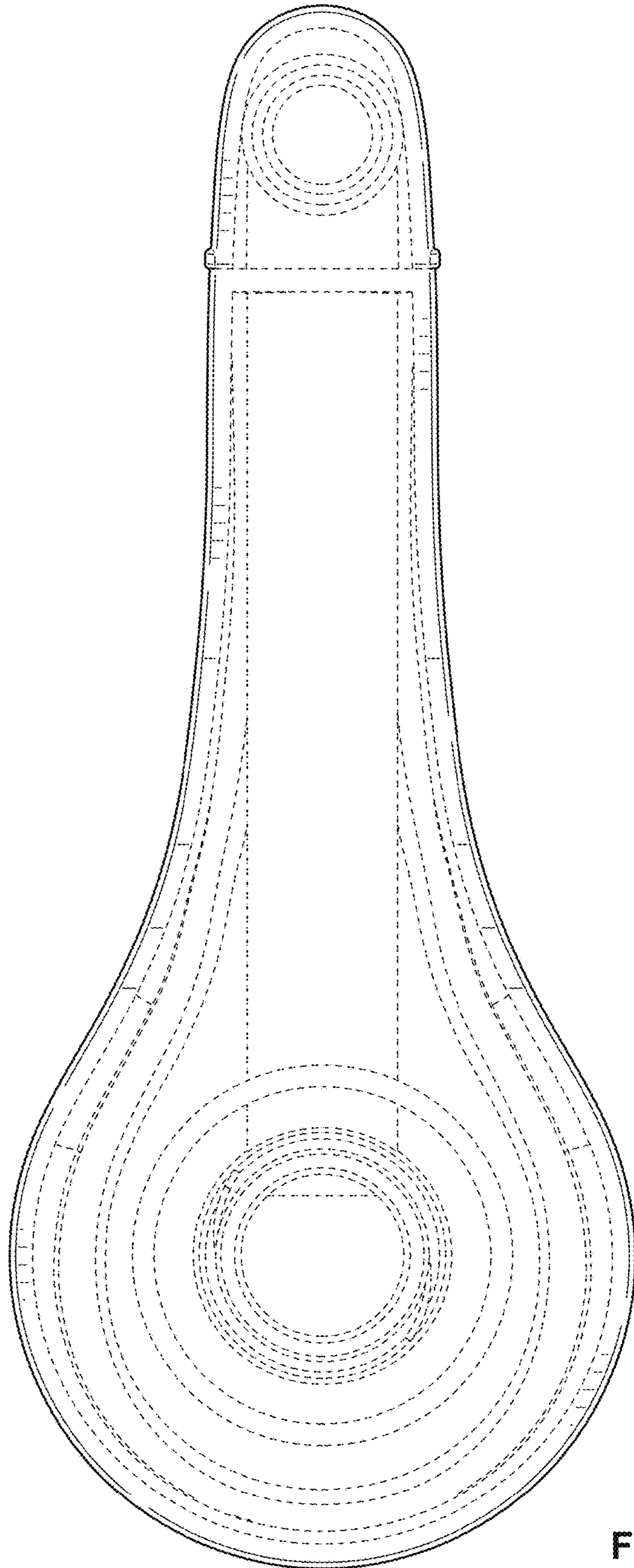


FIG. 10