



US00D801170S

(12) **United States Design Patent**
Wu

(10) **Patent No.:** **US D801,170 S**
(45) **Date of Patent:** **** Oct. 31, 2017**

(54) **COMBINED CONTAINER AND LID**

(71) Applicant: **Jingdong Wu**, Taishan (CN)

(72) Inventor: **Jingdong Wu**, Taishan (CN)

(**) Term: **15 Years**

(21) Appl. No.: **29/565,751**

(22) Filed: **May 24, 2016**

(51) **LOC (10) Cl.** **09-03**

(52) **U.S. Cl.**
USPC **D9/425**

(58) **Field of Classification Search**
USPC D7/396.1, 538-545, 602, 608, 629;
D9/414, 420, 425-429, 432, 761;
206/499, 508, 557; 220/23.4, 23.6, 315,
220/500, 659, 669, 674, 675, 696, 752,
220/760, 790, 793; 229/105, 117.09,
229/117.26, 189, 406, 407, 902, 905
CPC B65D 1/26; B65D 1/40; B65D 81/3453;
B65D 2581/34; B65D 2581/3404; B65D
2581/3456

See application file for complete search history.

(56) **References Cited**

U.S. PATENT DOCUMENTS

D251,657 S * 4/1979 Jewell D9/426
D402,850 S * 12/1998 Davis D7/545
D408,733 S * 4/1999 McCann D9/423
D606,812 S * 12/2009 Wu D7/629
D614,023 S * 4/2010 Amos D9/416
D628,475 S * 12/2010 Snedden D9/426

D664,427 S * 7/2012 Chen D9/425
D665,674 S * 8/2012 Wu D7/629
2007/0289963 A1* 12/2007 Wu B65D 21/0233
220/4.21
2009/0218356 A1* 9/2009 Colacitti B29C 45/14
220/574

* cited by examiner

Primary Examiner — Ian Simmons

Assistant Examiner — Janice Lim

(74) *Attorney, Agent, or Firm* — Schmeiser, Olsen & Watts, LLP

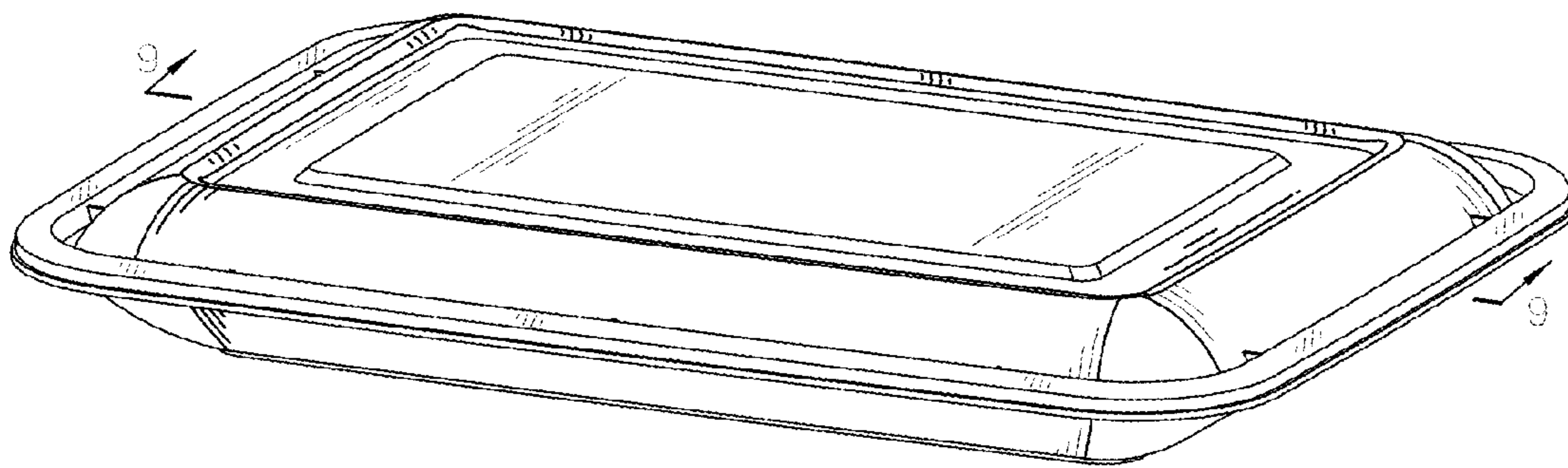
(57) **CLAIM**

The ornamental design for a combined container and lid, as shown and described.

DESCRIPTION

FIG. 1 is a top, front perspective view of a combined container and lid, showing my new design;
FIG. 2 is a top view thereof;
FIG. 3 is a bottom view thereof;
FIG. 4 is a front view thereof, the rear view being a mirror image thereof;
FIG. 5 is a side view thereof, the opposite side view being a mirror image thereof;
FIG. 6 is a bottom front perspective view thereof;
FIG. 7 is an exploded top, front perspective view thereof;
FIG. 8 is an exploded front, bottom perspective view thereof; and,
FIG. 9 is a cross-sectional view thereof, taken along line 9-9 of FIG. 1.

1 Claim, 9 Drawing Sheets



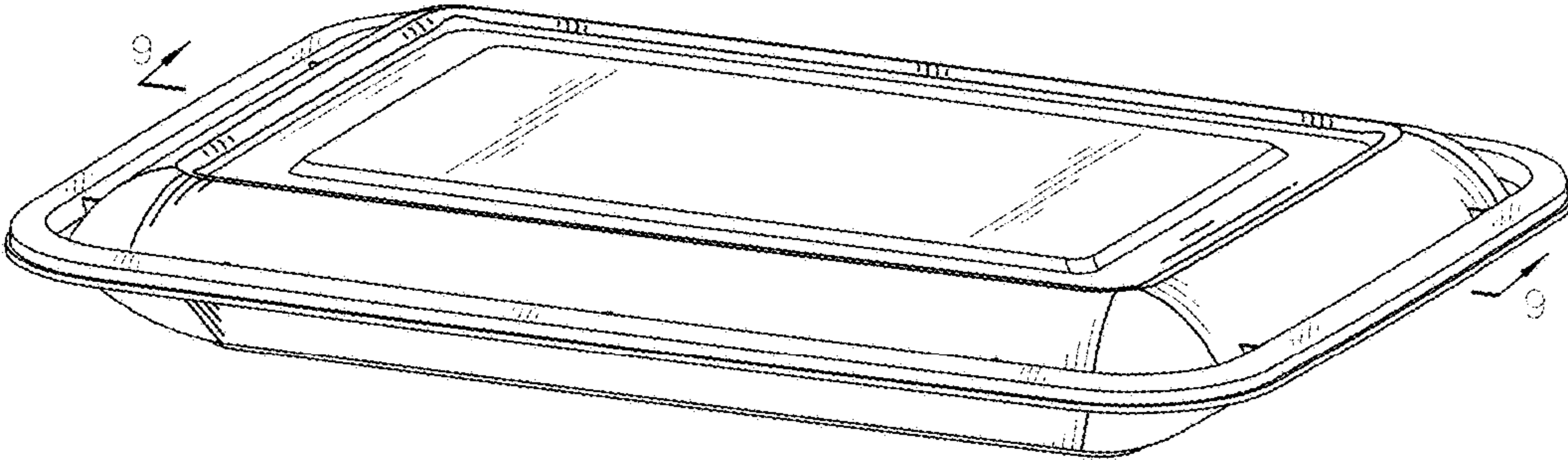


FIG. 1

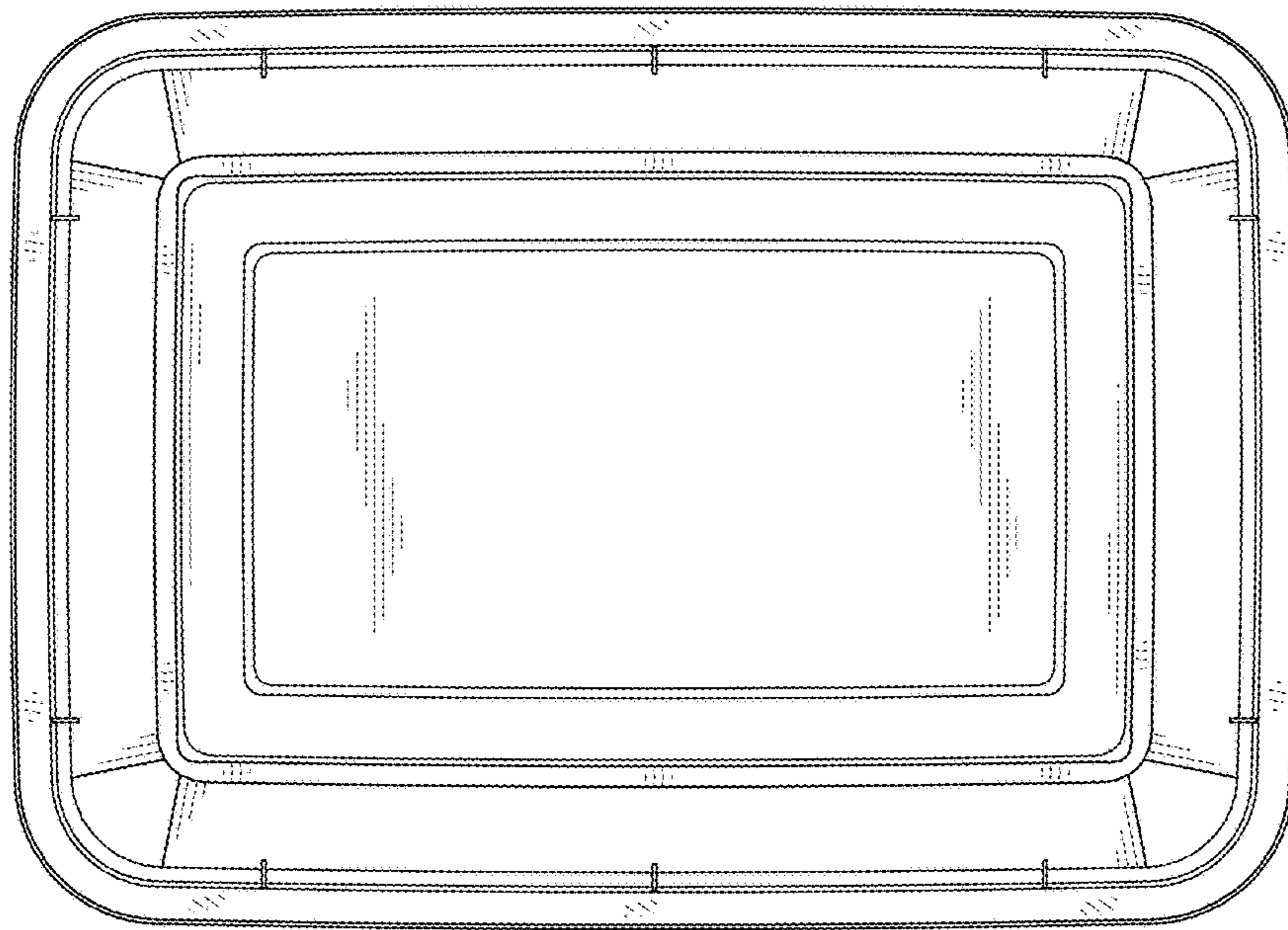


FIG. 2

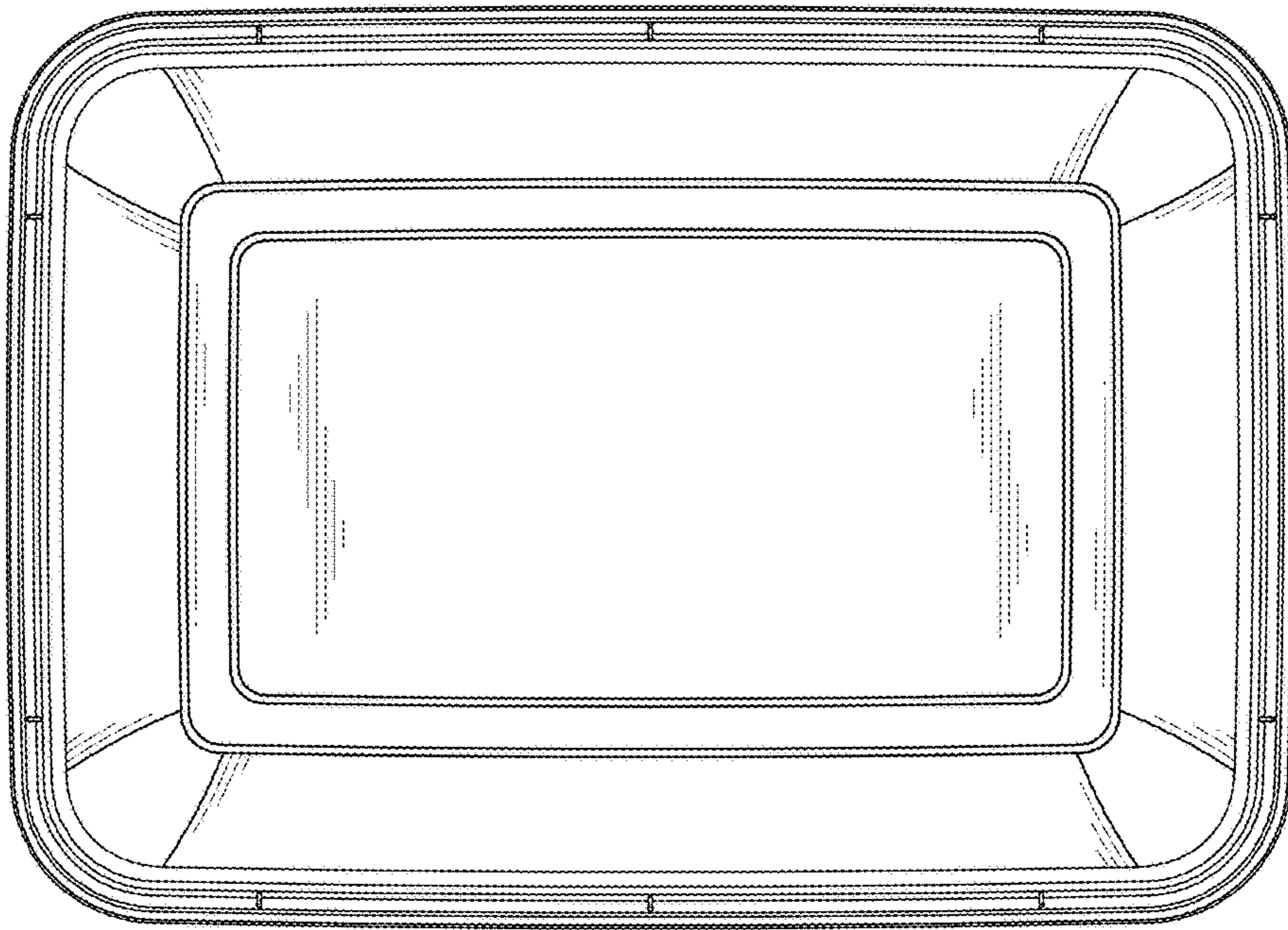


FIG. 3

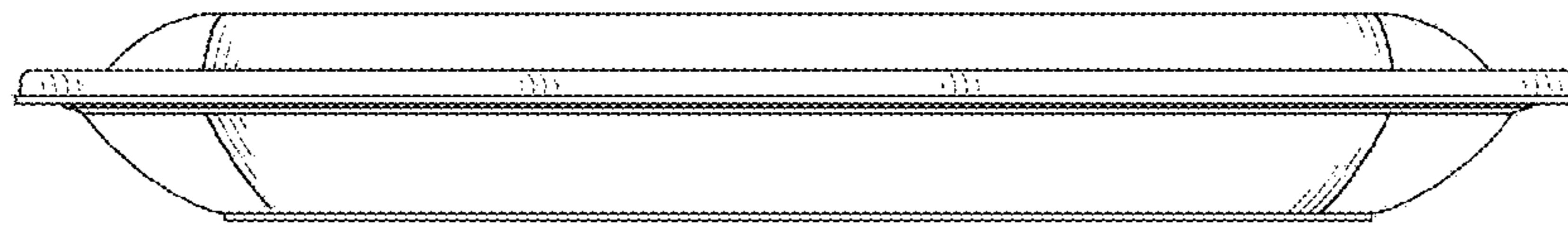


FIG. 4

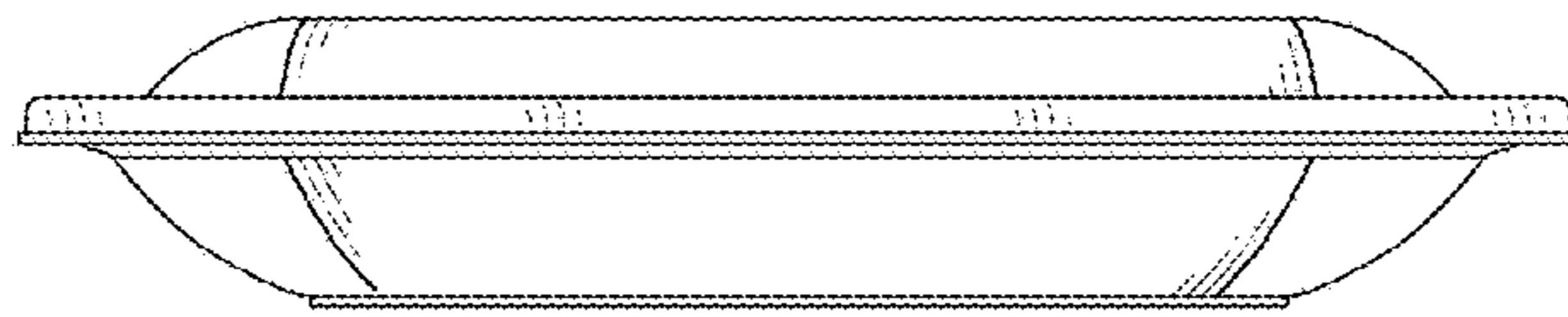


FIG. 5

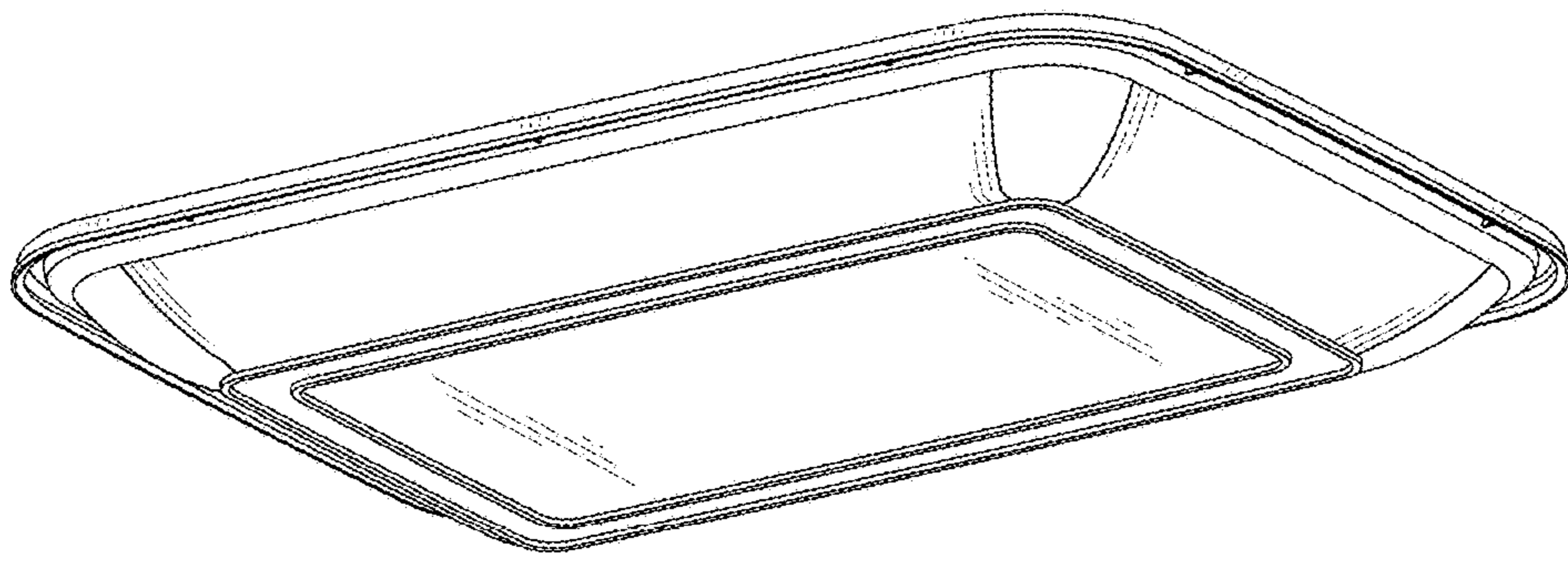


FIG. 6

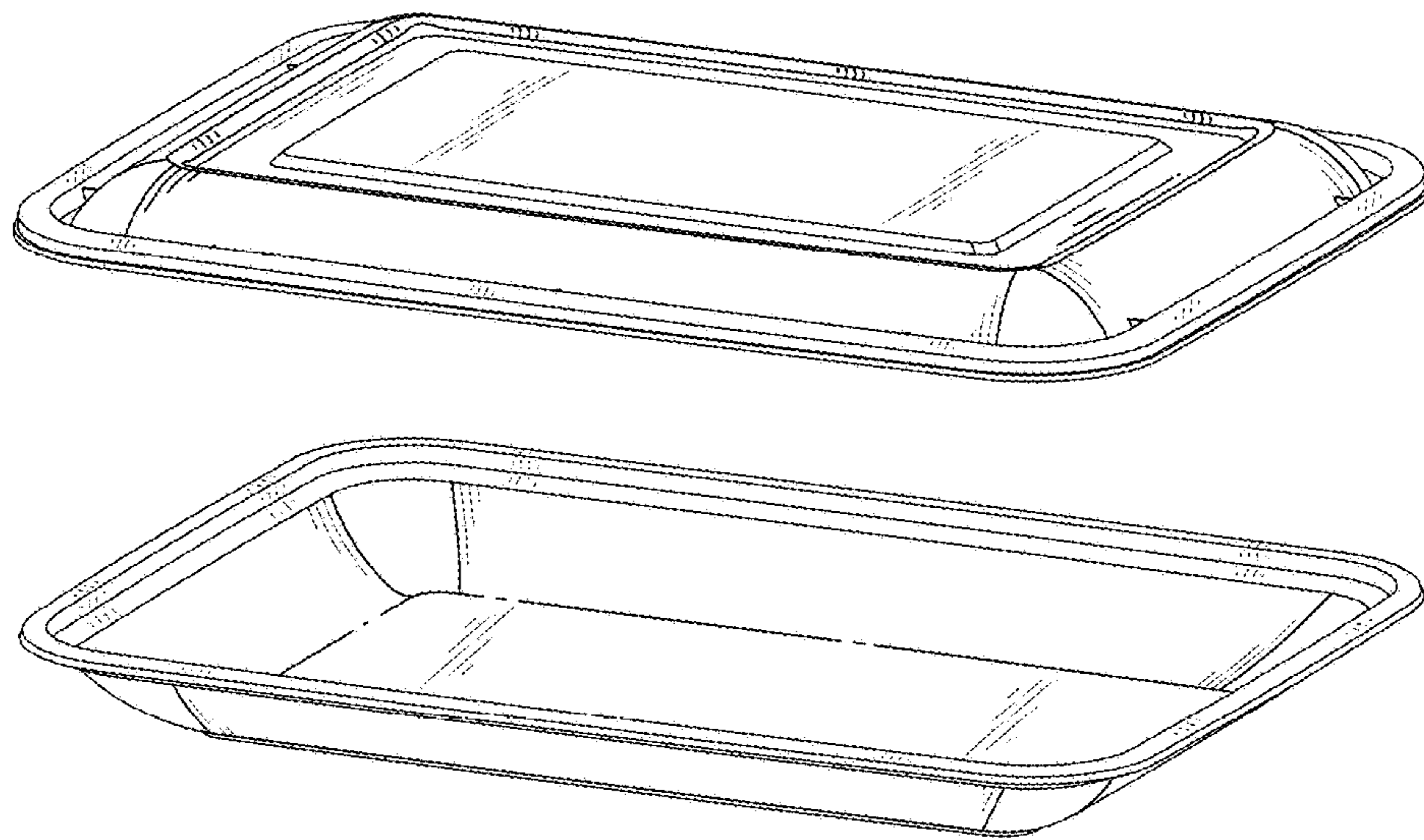


FIG. 7

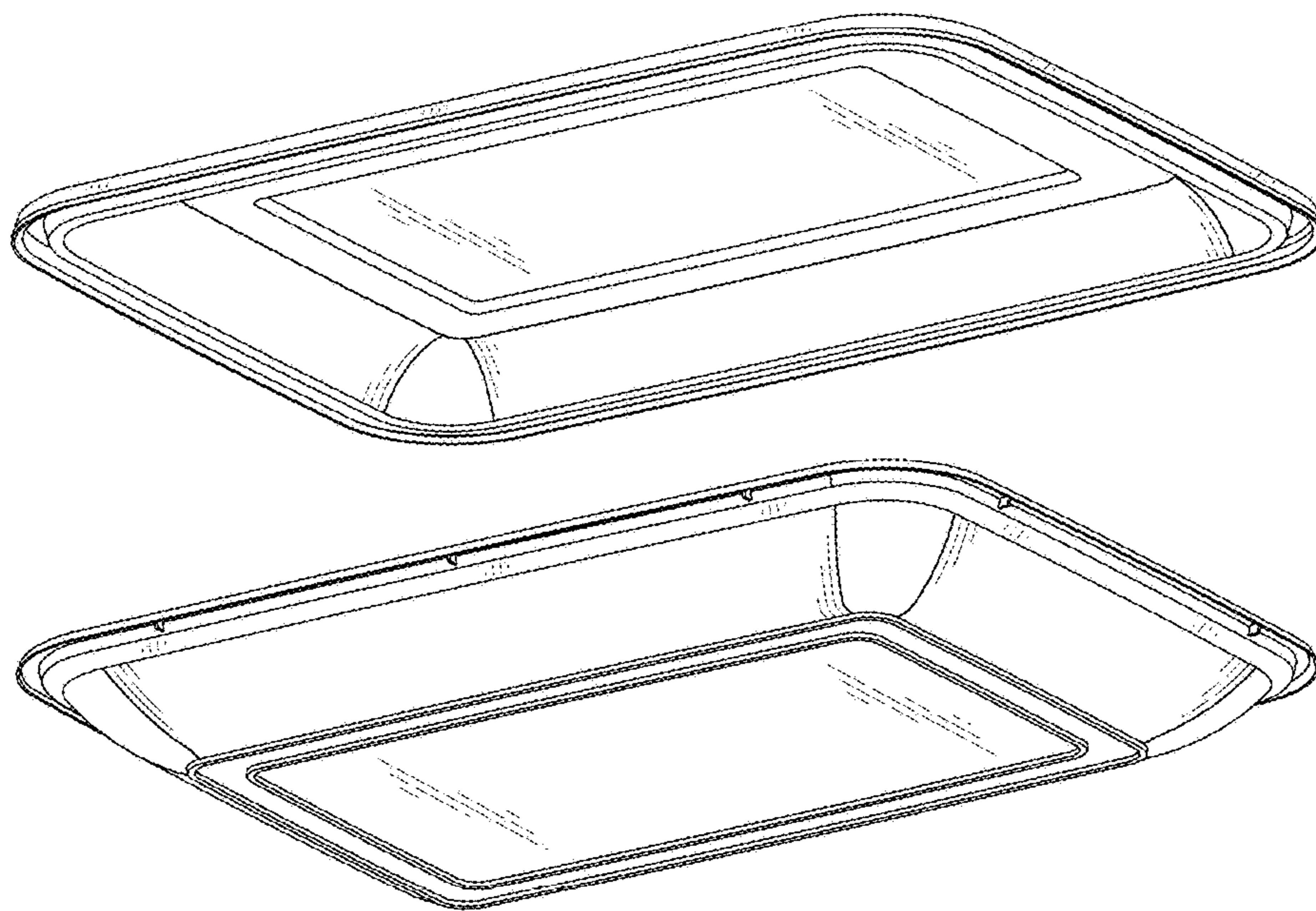


FIG. 8

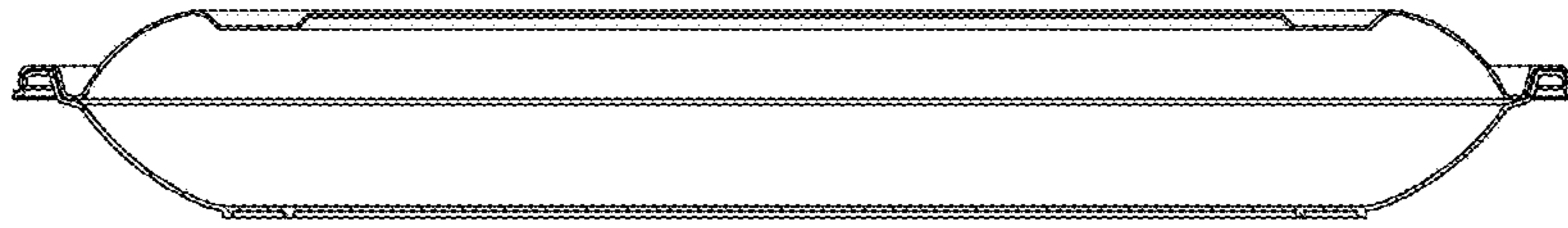


FIG. 9

UNITED STATES PATENT AND TRADEMARK OFFICE
CERTIFICATE OF CORRECTION

PATENT NO. : D801,170 S
APPLICATION NO. : 29/565751
DATED : October 31, 2017
INVENTOR(S) : Jingdong Wu

Page 1 of 1

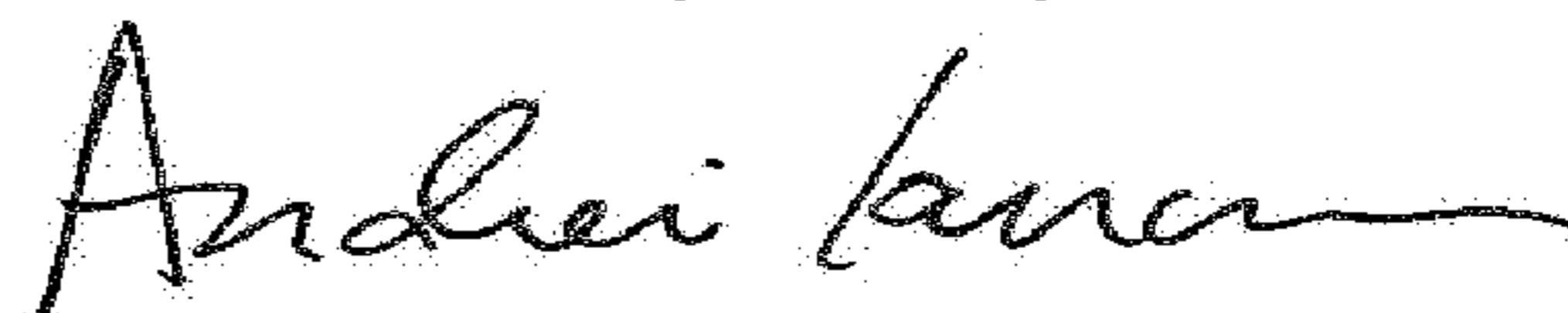
It is certified that error appears in the above-identified patent and that said Letters Patent is hereby corrected as shown below:

On the Title Page

DESCRIPTION:

Line 13, delete “,” after --FIG. 8 is an exploded front, bottom perspective view thereof; and--

Signed and Sealed this
Third Day of July, 2018



Andrei Iancu
Director of the United States Patent and Trademark Office