



US00D801168S

(12) **United States Design Patent**
Vavrinak et al.

(10) **Patent No.:** **US D801,168 S**

(45) **Date of Patent:** **** Oct. 31, 2017**

(54) **TORSION SPRING TO AID IN KEEPING AN INTERIOR DOOR OPEN**

(71) Applicants: **Robert Vavrinak**, Coweta, OK (US);
Jacque Vavrinak, Coweta, OK (US)

(72) Inventors: **Robert Vavrinak**, Coweta, OK (US);
Jacque Vavrinak, Coweta, OK (US)

(**) Term: **15 Years**

(21) Appl. No.: **29/566,582**

(22) Filed: **Jun. 1, 2016**

(51) **LOC (10) Cl.** **08-09**

(52) **U.S. Cl.**
USPC **D8/402**

(58) **Field of Classification Search**
USPC D8/402, 400, 403, 404, 395, 396;
16/295, 285, 307, 373
CPC E05F 1/1215; E05F 1/1246
See application file for complete search history.

(56) **References Cited**

U.S. PATENT DOCUMENTS

- 1,715,590 A * 6/1929 Burhenne E05F 11/00
16/297
- 2,037,411 A * 4/1936 Fay E05F 1/1016
16/76
- 3,339,225 A 9/1967 Booth
- 3,825,973 A 7/1974 Gwozdz
- 4,823,473 A 4/1989 McMahon
- 4,894,019 A * 1/1990 Howard H01R 13/7032
200/51.09
- 5,031,270 A 7/1991 Lee
- 5,649,339 A * 7/1997 Reed E05F 1/1215
16/50

- 5,826,306 A * 10/1998 Faubert E05D 7/0027
16/244
- 6,205,618 B1 * 3/2001 Lee E05D 7/1044
16/256
- 6,553,623 B2 * 4/2003 Long E05F 1/1215
16/285
- 7,011,329 B2 * 3/2006 Yoder B60D 1/155
280/485
- D533,447 S * 12/2006 Irie D8/402
- 7,520,022 B2 * 4/2009 Conway E05D 7/009
16/256
- 8,671,521 B2 3/2014 Irwin
- 8,756,762 B2 * 6/2014 Kim F16C 11/04
16/297
- 9,163,438 B2 * 10/2015 Mackay E05C 17/44
- 9,297,193 B1 * 3/2016 Martin E05F 1/1215

* cited by examiner

Primary Examiner — Lakiya Rogers

Assistant Examiner — Harold E Blackwell, II

(74) *Attorney, Agent, or Firm* — Head, Johnson,
Kachigian & Wilkinson, PC

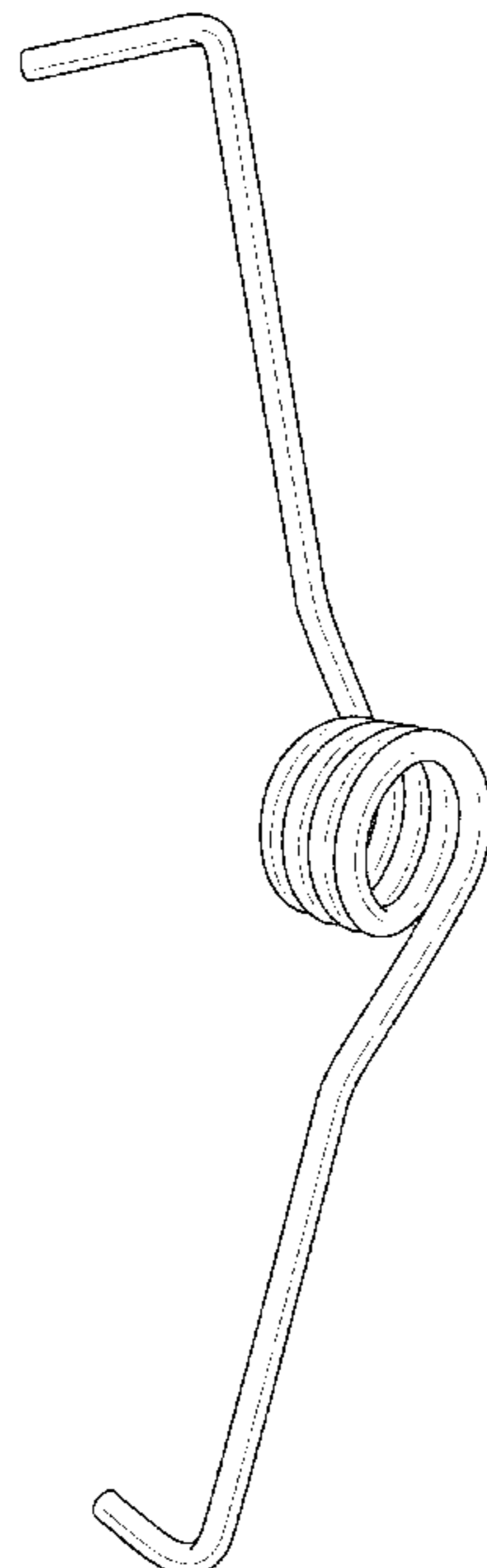
(57) **CLAIM**

The ornamental design for a torsion spring to aid in keeping an interior door open, as shown and described.

DESCRIPTION

FIG. 1 is a perspective of a torsion spring to aid in keeping an interior door open showing the design; FIG. 2 is a side elevational view thereof; FIG. 3 is another side elevational view thereof; FIG. 4 is a bottom elevational view thereof; and FIG. 5 is a top elevational view thereof; FIG. 6 is an end elevational view thereof; and FIG. 7 is another end elevational view thereof.

1 Claim, 6 Drawing Sheets



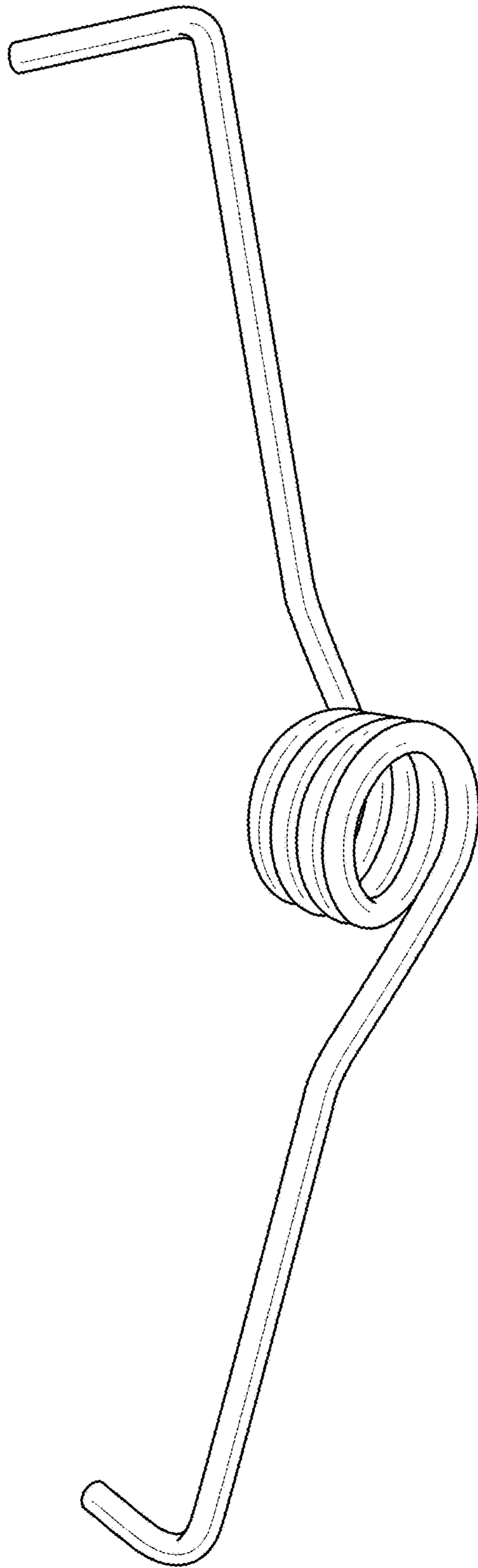


FIG. 1

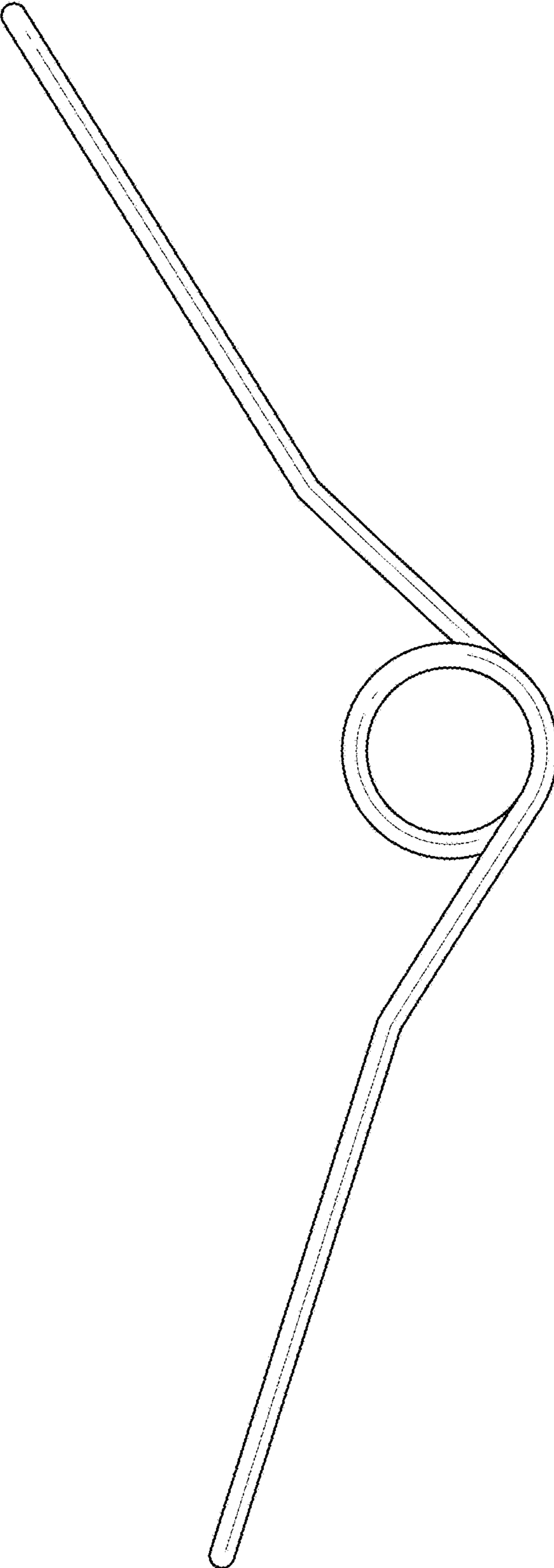


FIG. 2

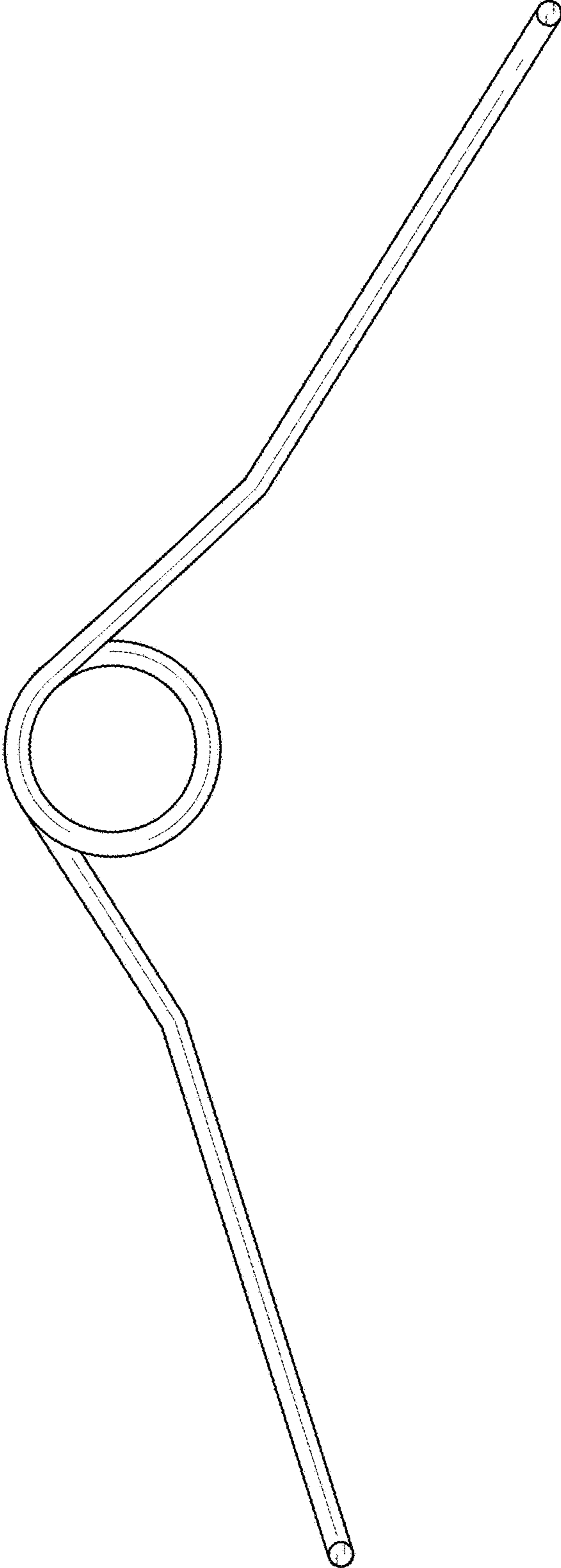


FIG. 3

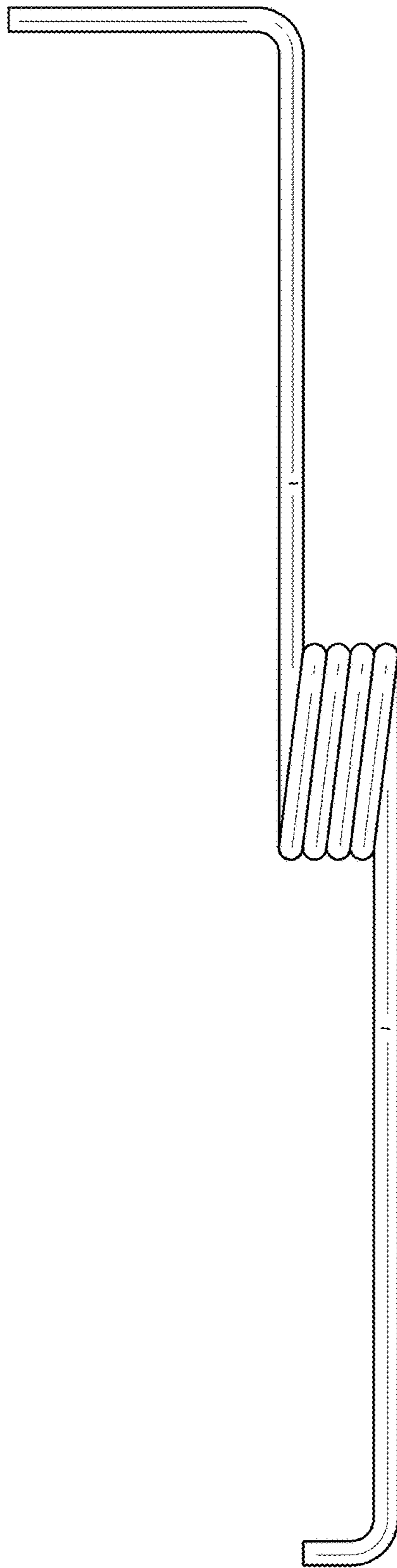


FIG. 4

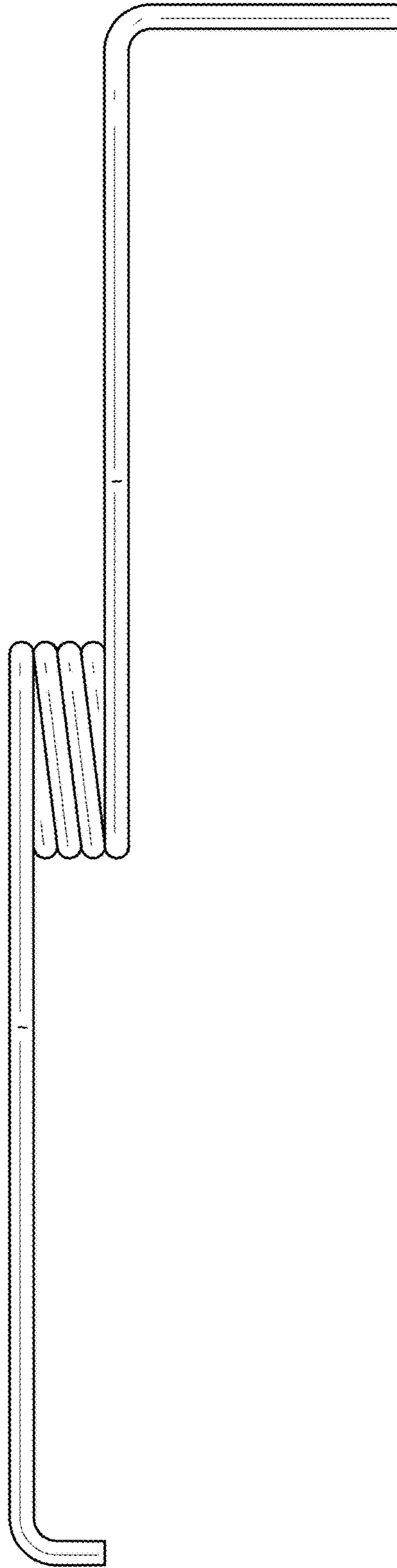


FIG. 5

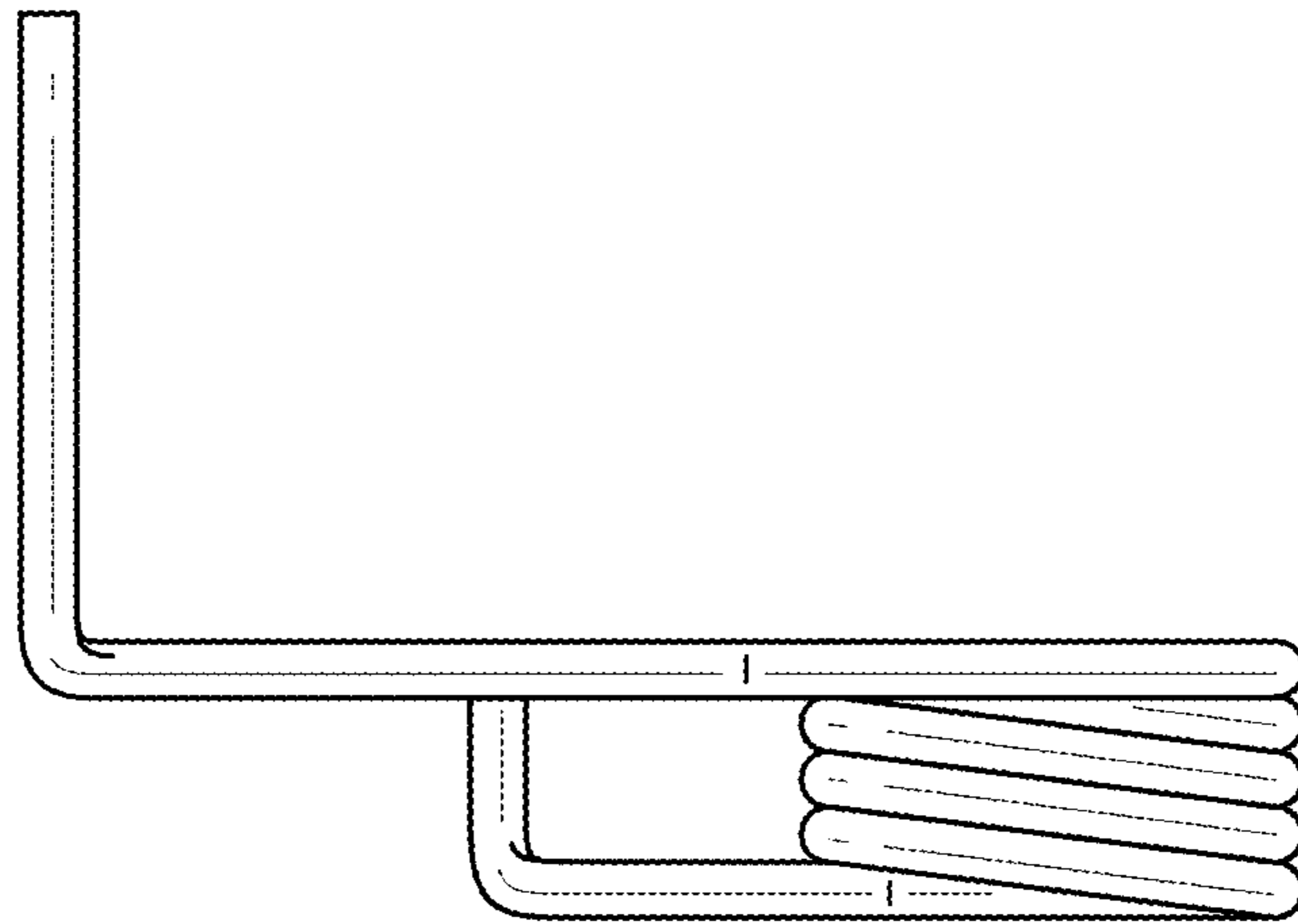


FIG. 6

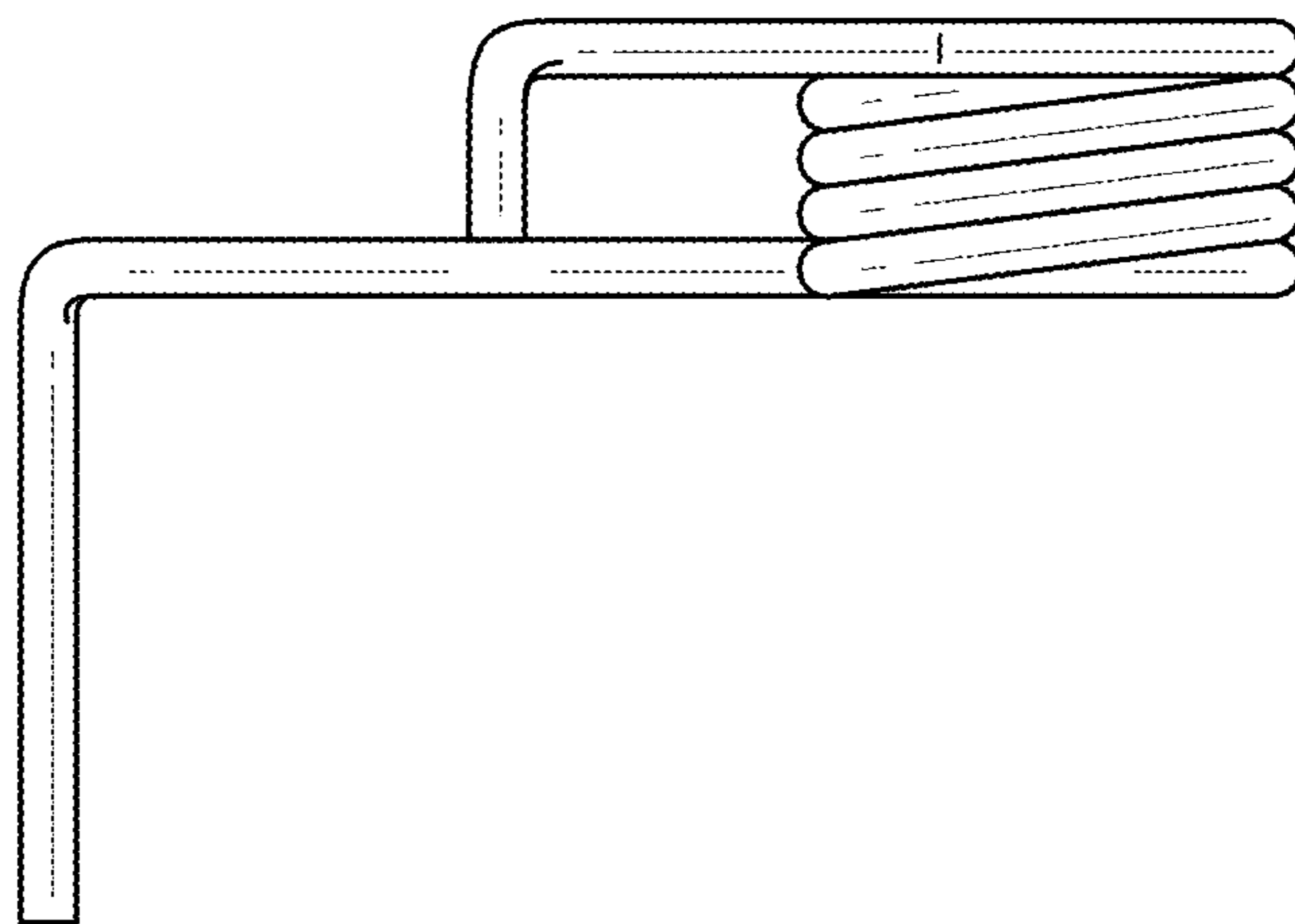


FIG. 7