



US00D801166S

(12) **United States Design Patent**  
**Baiz et al.**

(10) **Patent No.:** **US D801,166 S**

(45) **Date of Patent:** **\*\* Oct. 31, 2017**

(54) **LUG NUT COVER**

(71) Applicants: **Enrique J. Baiz**, Miramar, FL (US);  
**Oswaldo Izquierdo**, Homestead, FL  
(US)

(72) Inventors: **Enrique J. Baiz**, Miramar, FL (US);  
**Oswaldo Izquierdo**, Homestead, FL  
(US)

(\*\*) Term: **15 Years**

(21) Appl. No.: **29/563,464**

(22) Filed: **May 4, 2016**

(51) **LOC (10) Cl.** ..... **08-08**

(52) **U.S. Cl.**  
USPC ..... **D8/397; D8/387**

(58) **Field of Classification Search**  
USPC ..... D8/349, 354, 382, 394, 396, 499, 399,  
D8/391, 397; D12/202, 213, 223, 400,  
D12/207, 208  
CPC ..... F16B 37/00; F16B 37/14; F16B 37/145;  
F16B 35/04; F16B 35/06; F16B 41/00;  
F16B 41/002; F16B 41/005; B60B 23/06;  
B60B 23/08; Y10S 411/91; Y10S  
411/914; Y10S 411/915; Y10T 70/5867  
See application file for complete search history.

(56) **References Cited**

**U.S. PATENT DOCUMENTS**

948,124	A *	2/1910	Arends	.....	B43K 21/08 401/85
1,241,409	A *	9/1917	Lizarraga	.....	F42B 12/74 102/501
2,683,416	A *	7/1954	Keller	.....	F42B 12/06 102/513
D372,660	S *	8/1996	Niessner	.....	D8/343
D427,511	S *	7/2000	Weld	.....	D8/397
D444,171	S *	6/2001	McCullough	.....	D19/154
D460,398	S *	7/2002	Berry	.....	D12/213

D491,222	S *	6/2004	Derman	.....	D19/154
D533,044	S *	12/2006	Buening	.....	D8/103
D546,657	S *	7/2007	Buening	.....	D8/103
D646,179	S *	10/2011	Jansen	.....	D22/116
D669,363	S *	10/2012	Traskal	.....	D9/680
8,443,729	B2 *	5/2013	Mittelstaedt	.....	F42B 5/025 102/430
D710,682	S *	8/2014	Rose	.....	D8/388
D731,300	S *	6/2015	Vargas	.....	D8/397
D753,339	S *	4/2016	Greeley	.....	D27/162
D759,189	S *	6/2016	Pederson	.....	D22/116
D780,563	S *	3/2017	Baiz	.....	D8/387
D780,564	S *	3/2017	Baiz	.....	D8/387
D781,394	S *	3/2017	Bowers	.....	D22/116
D786,057	S *	5/2017	Baiz	.....	D8/397

(Continued)

*Primary Examiner* — Sandra Snapp

*Assistant Examiner* — Ieisha Price

(74) *Attorney, Agent, or Firm* — Quickpatents, LLC;  
Kevin Prince

(57) **CLAIM**

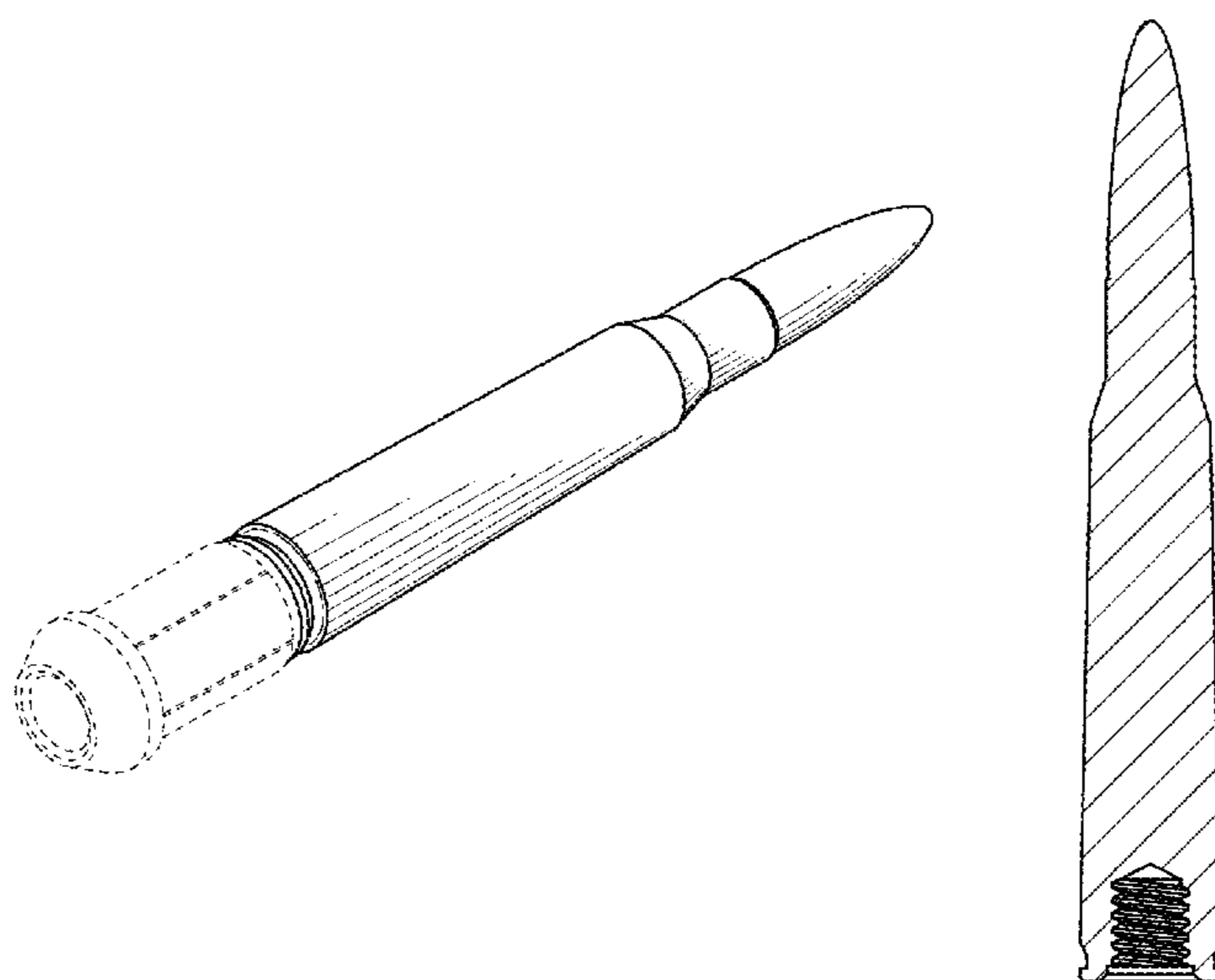
We claim the ornamental design for a lug nut cover, as shown and described.

**DESCRIPTION**

FIG. 1 is a perspective view of a lug nut cover, showing our new design mounted to a lug nut;  
FIG. 2 is an exploded perspective view thereof;  
FIG. 3 is a front elevational view thereof, the lug nut omitted for clarity of illustration, the rear elevational view, left-side elevational view, and right-side elevational view all being identical thereto;  
FIG. 4 is an enlarged top plan view of FIG. 3;  
FIG. 5 is an enlarged bottom plan view of FIG. 3; and,  
FIG. 6 is a cross-sectional view, taken along lines 6--6 of FIG. 3.

The broken lines showing a lug nut in FIGS. 1 and 2 illustrate environmental matter and form no part of the claimed design.

**1 Claim, 3 Drawing Sheets**



(56)

**References Cited**

U.S. PATENT DOCUMENTS

D787,306 S *	5/2017	Baiz .....	D8/397
D790,331 S *	6/2017	Baiz .....	D8/387
D792,077 S *	7/2017	Denet .....	D2/966
D792,200 S *	7/2017	Baiz .....	D8/387
D793,217 S *	8/2017	Baiz .....	D8/397
D793,219 S *	8/2017	Baiz .....	D8/397
2015/0007698 A1 *	1/2015	Crane .....	B67B 7/16 81/3.55

\* cited by examiner

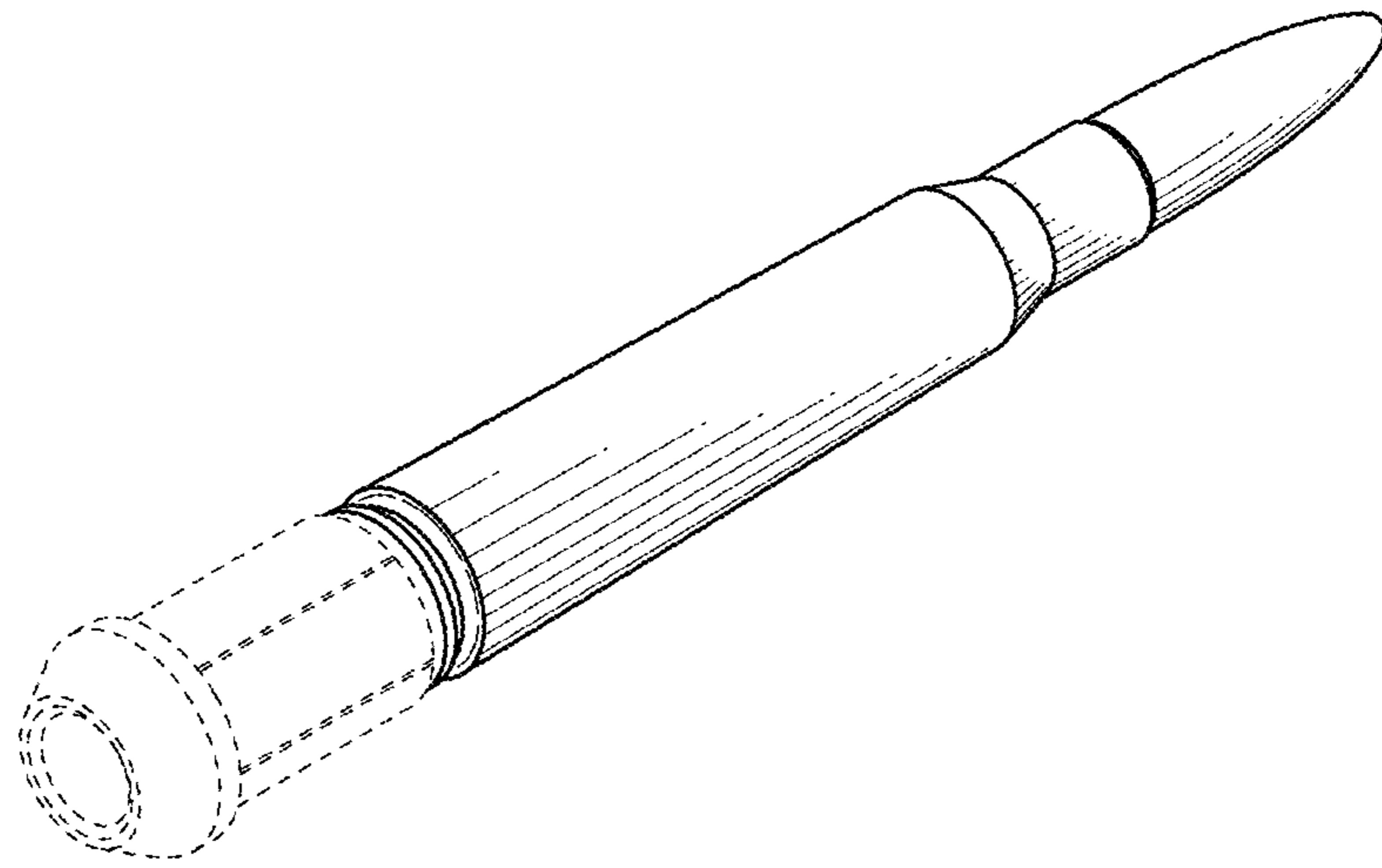


FIG. 1

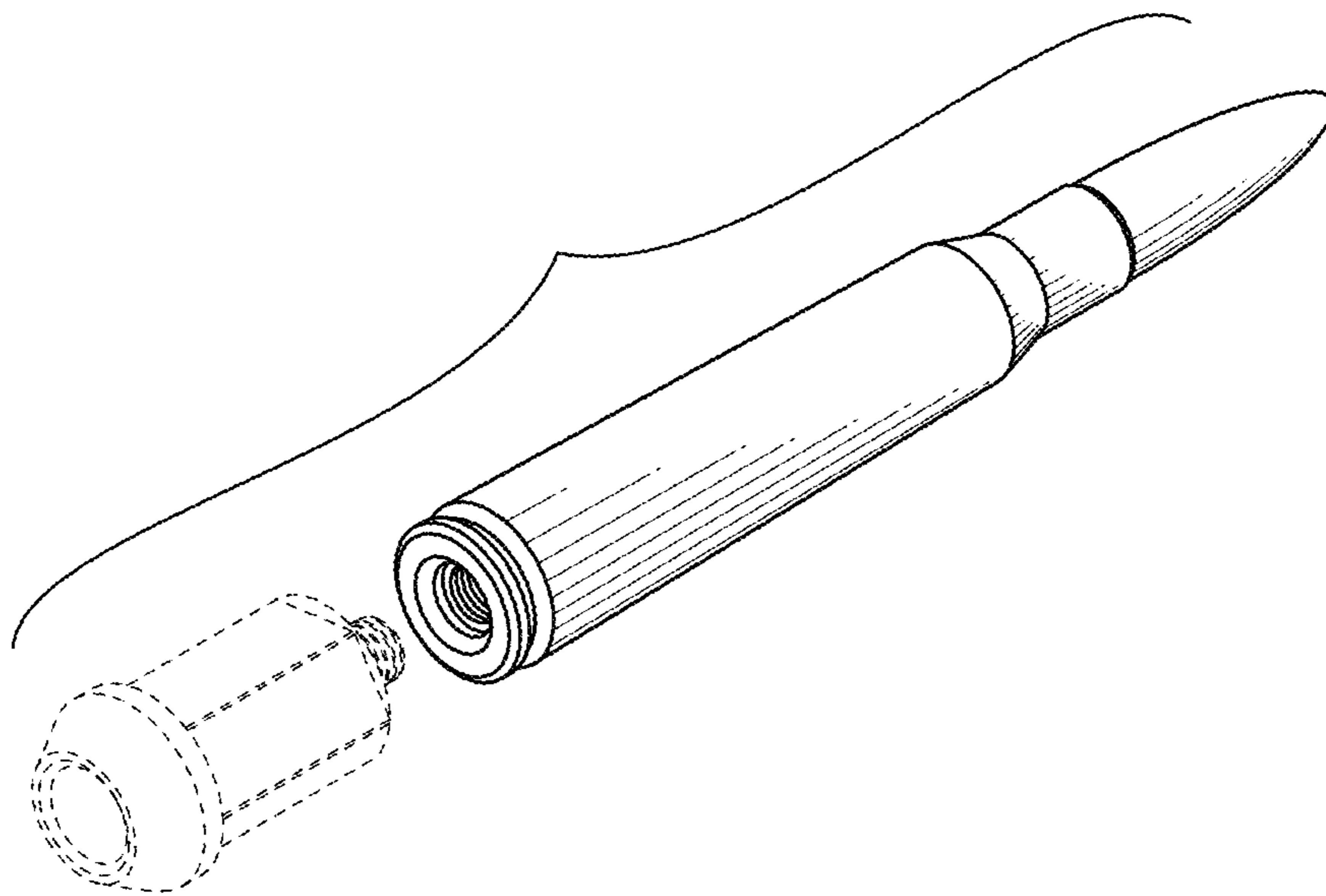


FIG. 2

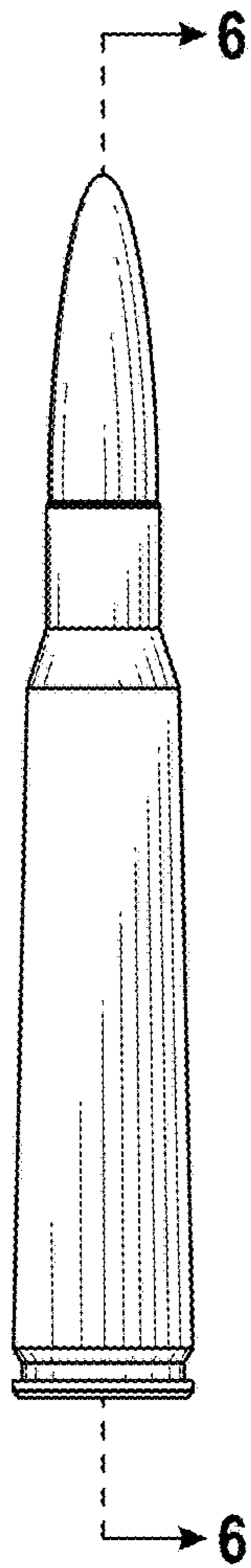


FIG. 3

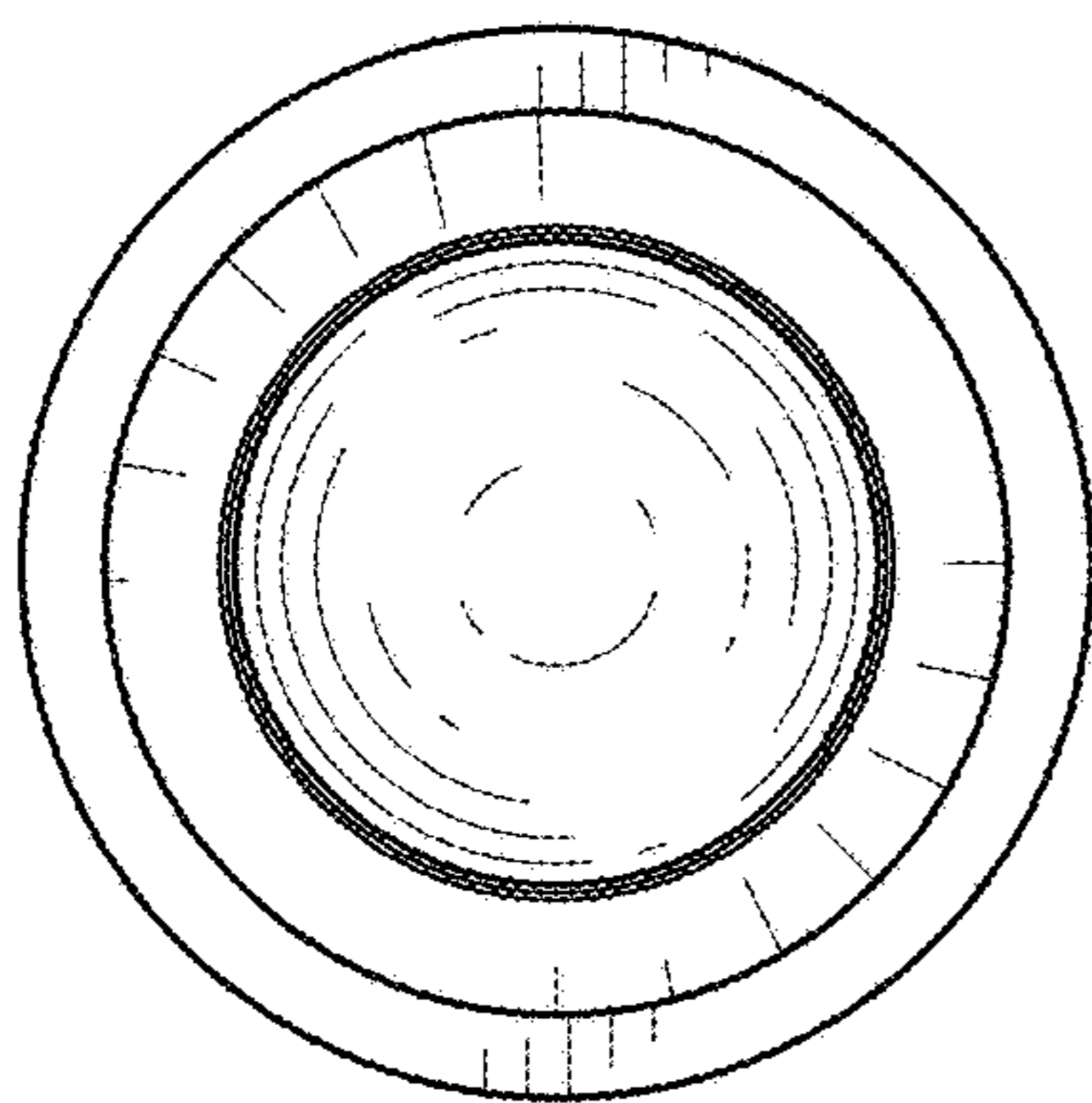


FIG. 4

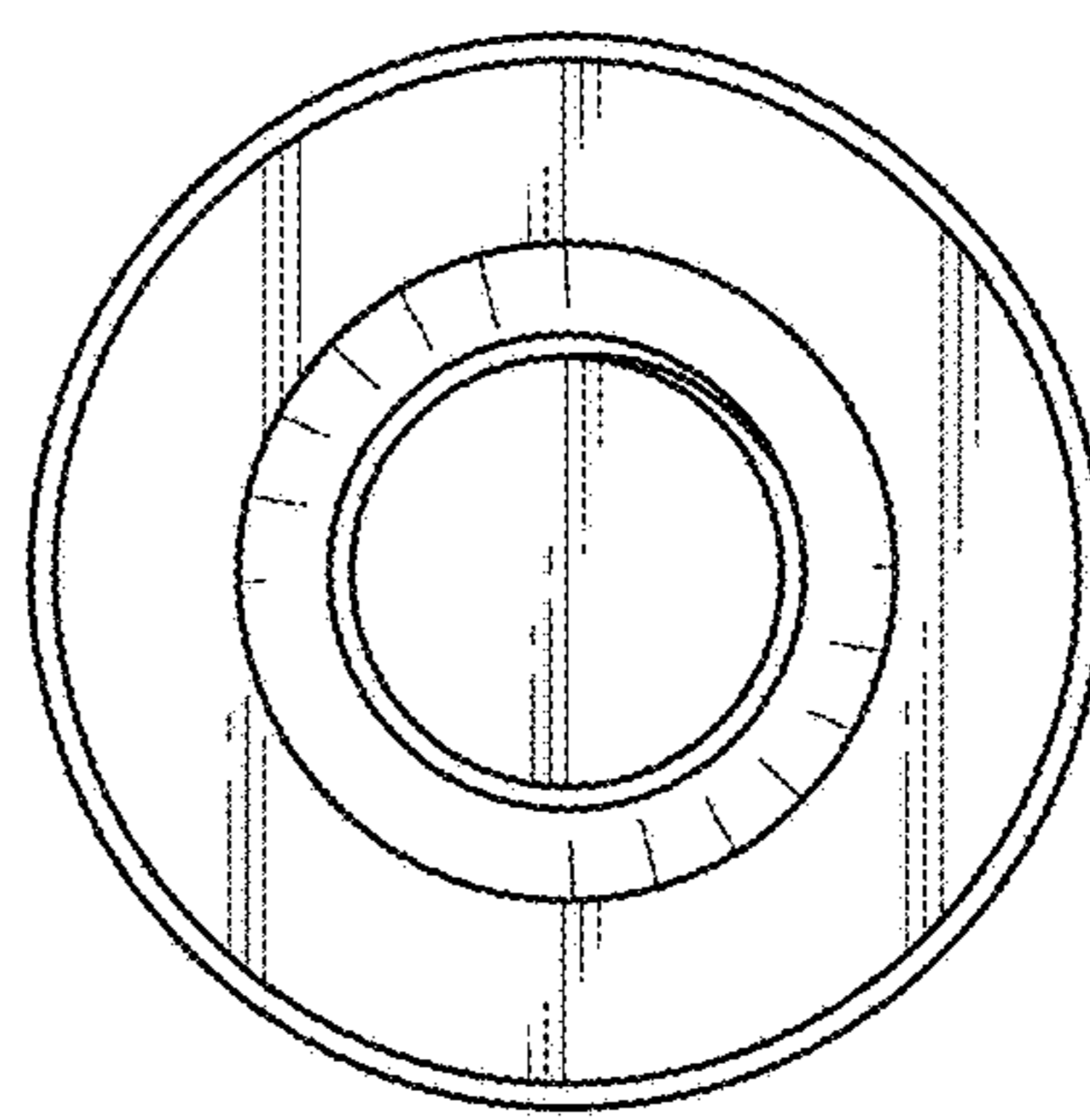


FIG. 5

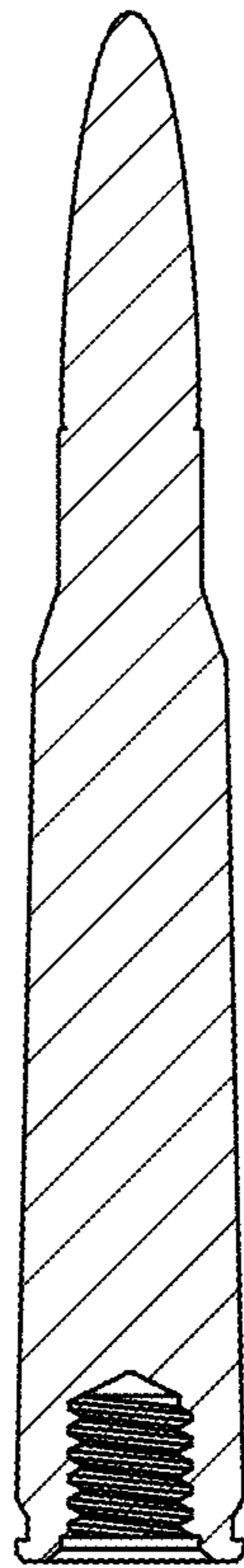


FIG. 6