



US00D801164S

(12) **United States Design Patent** (10) **Patent No.:** **US D801,164 S**
Powers (45) **Date of Patent:** **** Oct. 31, 2017**

- (54) **GAGE FOR PRESS PACK CLAMP**
- (71) Applicant: **LWE, Inc.**, Maple Grove, MN (US)
- (72) Inventor: **Al Powers**, Maple Grove, MN (US)
- (73) Assignee: **LWE, Inc.**, Maple Grove, MN (US)
- (**) Term: **15 Years**
- (21) Appl. No.: **29/598,969**
- (22) Filed: **Mar. 30, 2017**

D732,925 S *	6/2015	Lin	D8/349
D736,609 S	8/2015	Coats		
D737,134 S	8/2015	Thompson		
D741,564 S	10/2015	Schlothauer		
D749,935 S	2/2016	Rook et al.		
D762,536 S	8/2016	Wurzer et al.		
D764,874 S	8/2016	Tarantino et al.		
D765,156 S	8/2016	Matsumoto		
D765,157 S	8/2016	Matsumoto et al.		
D768,097 S *	10/2016	Powers	D13/199
D775,931 S *	1/2017	van Hillo	D8/349
D784,496 S *	4/2017	Smeller	D23/249
2017/0112012 A1 *	4/2017	Powers	H05K 7/12

- Related U.S. Application Data**
- (62) Division of application No. 29/543,033, filed on Oct. 20, 2015.
 - (51) **LOC (10) Cl.** **08-08**
 - (52) **U.S. Cl.**
USPC **D8/394**
 - (58) **Field of Classification Search**
USPC D8/71, 72, 73, 74, 330, 349, 354, 380,
D8/382, 394-396, 499; D13/129, 149,
D13/154, 155, 173, 184, 199; 411/337;
D25/108, 113, 114, 119, 126, 133;
D7/637; D34/28; D12/174; D15/138
CPC H01L 2924/351
See application file for complete search history.

- (56) **References Cited**
- U.S. PATENT DOCUMENTS
- | | | | |
|--------------|---------|----------------|---------------|
| 4,457,080 A | 7/1984 | Glan | |
| D432,886 S | 10/2000 | Hembroff | |
| D440,138 S | 4/2001 | Campbell | |
| D474,161 S * | 5/2003 | Månsson | D13/199 |
| D582,344 S | 12/2008 | Colopy | |
| D606,379 S | 12/2009 | Hughes | |
| D614,944 S * | 5/2010 | Maro | D8/394 |
| D629,920 S | 12/2010 | Tezak et al. | |
| D667,296 S | 9/2012 | Eichner et al. | |
| D692,393 S | 10/2013 | Hillman et al. | |

OTHER PUBLICATIONS

“Semiconductor Data Handbook”, General Electric Company, third edition, Syracuse, NY, USA, 2007, 8 pages.

* cited by examiner

Primary Examiner — Susan E Krakower
Assistant Examiner — Michael Maharajh
(74) *Attorney, Agent, or Firm* — Hamre, Schumann, Mueller & Larson, P.C.

(57) **CLAIM**

The ornamental design for a gage for press pack clamp, as shown and described.

DESCRIPTION

FIG. 1 is a top perspective view of a gage for press pack clamp, showing my new design;
FIG. 2 is a bottom perspective view thereof;
FIG. 3 is a rear elevational view thereof;
FIG. 4 is a front elevational view thereof;
FIG. 5 is a top plan view hereof;
FIG. 6 is a bottom plan view thereof; and,
FIG. 7 is a left side elevational view, a right side being a mirror image thereof.

1 Claim, 4 Drawing Sheets

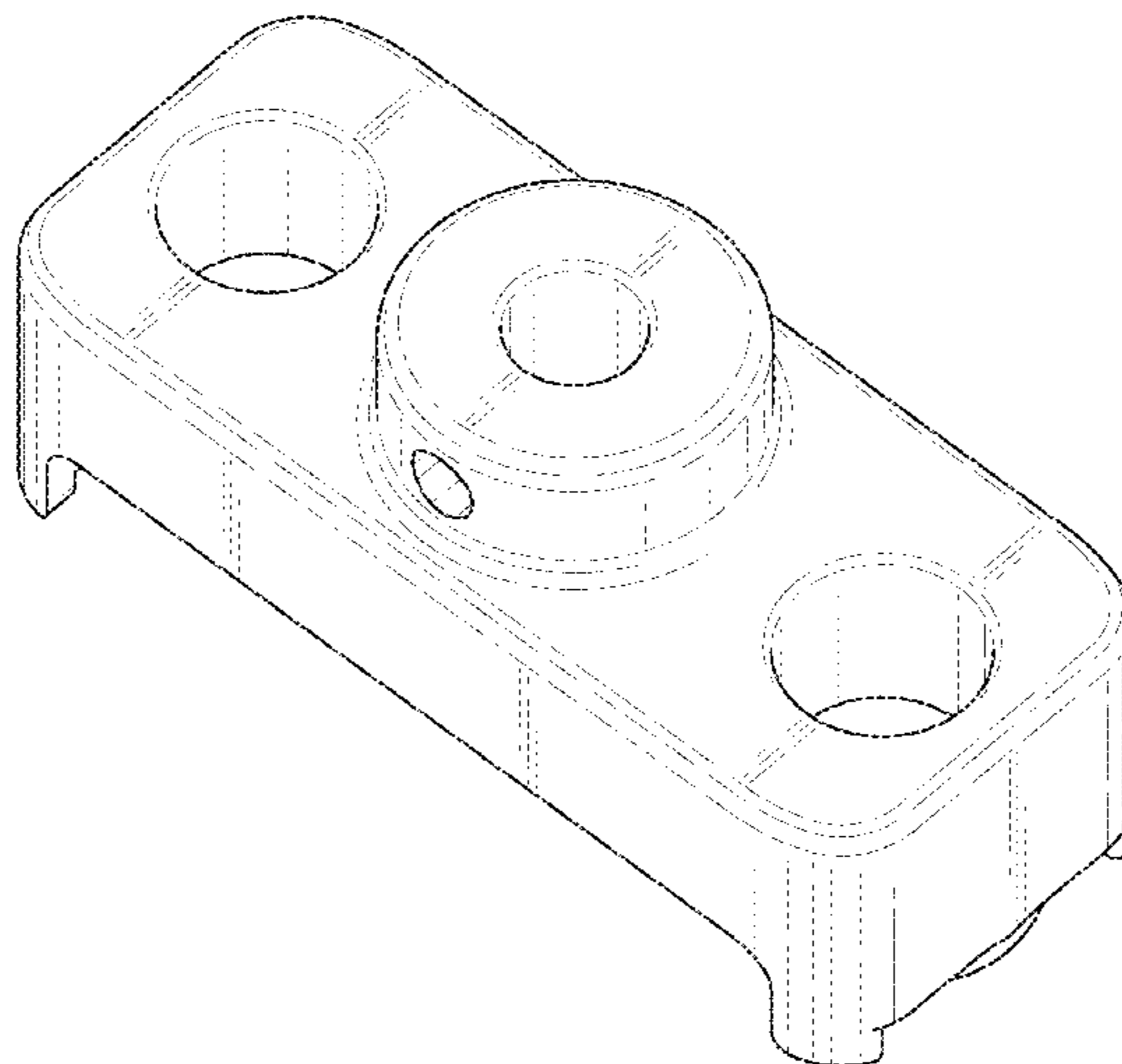


Fig. 1

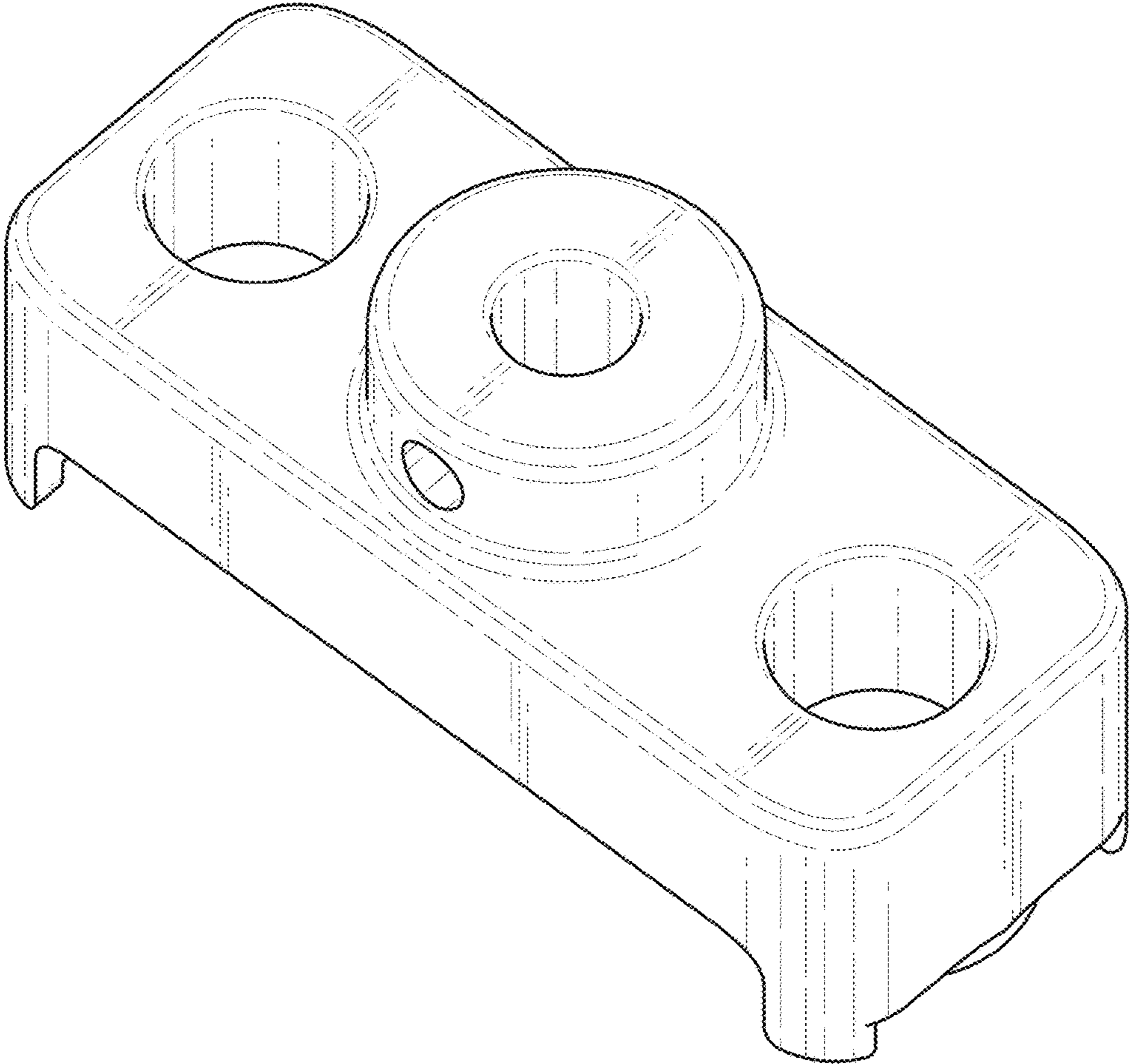


Fig. 2

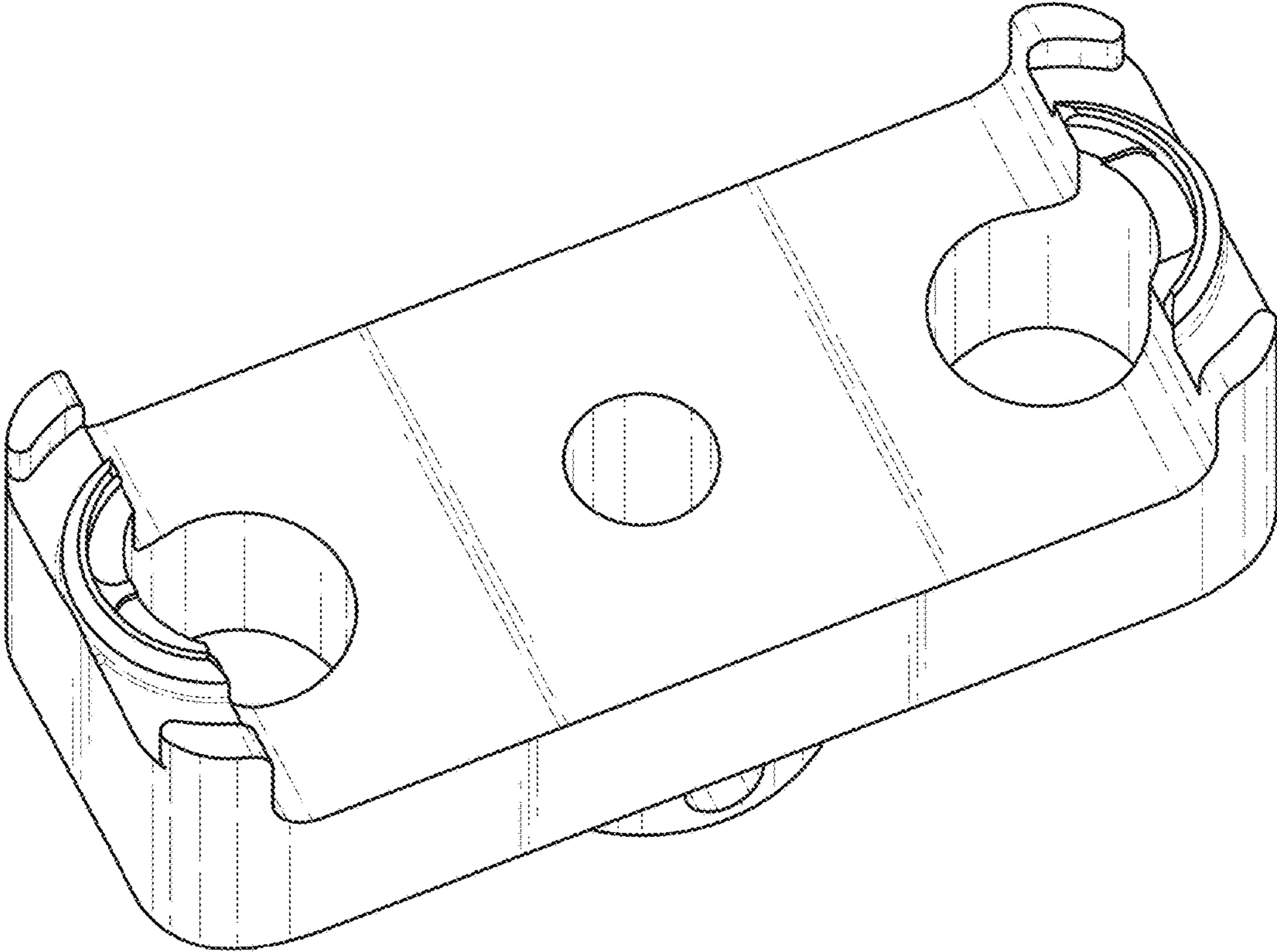


Fig. 3

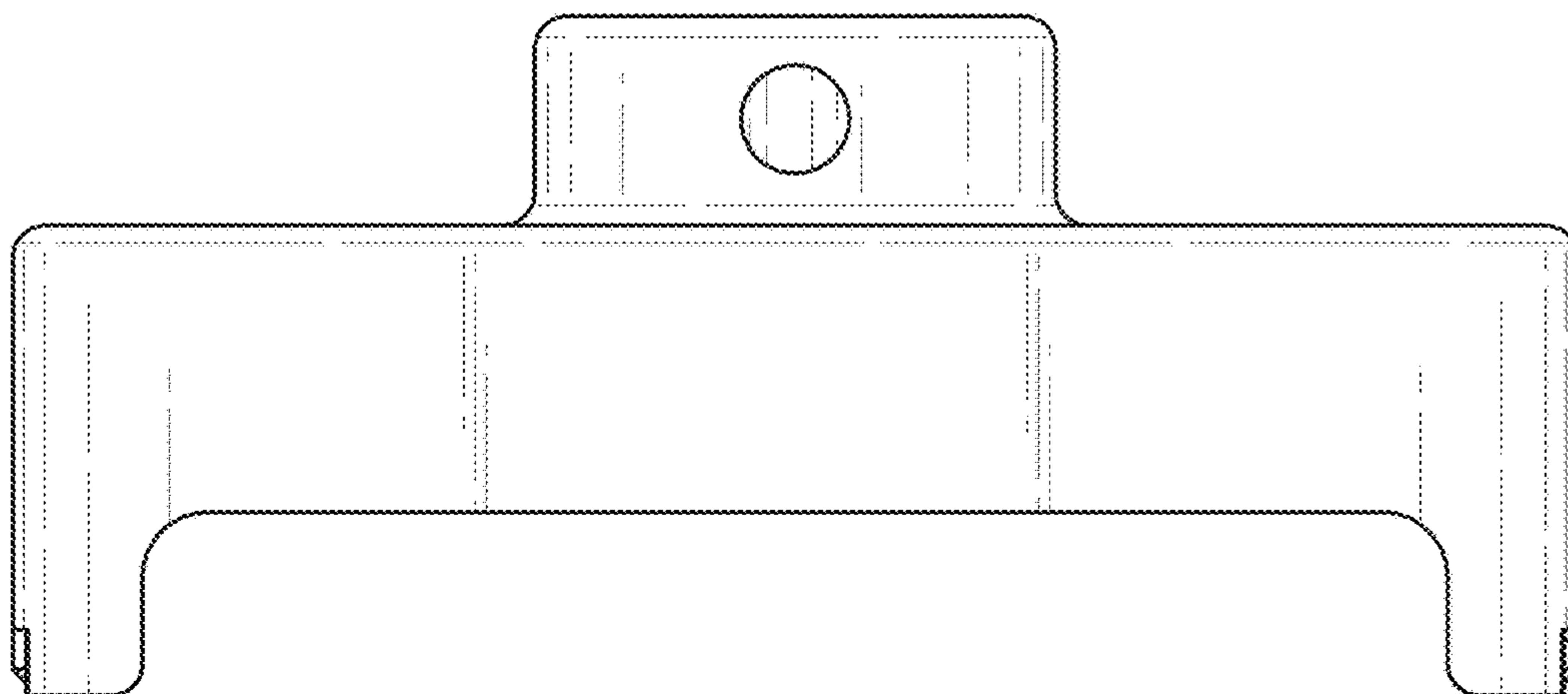


Fig. 4

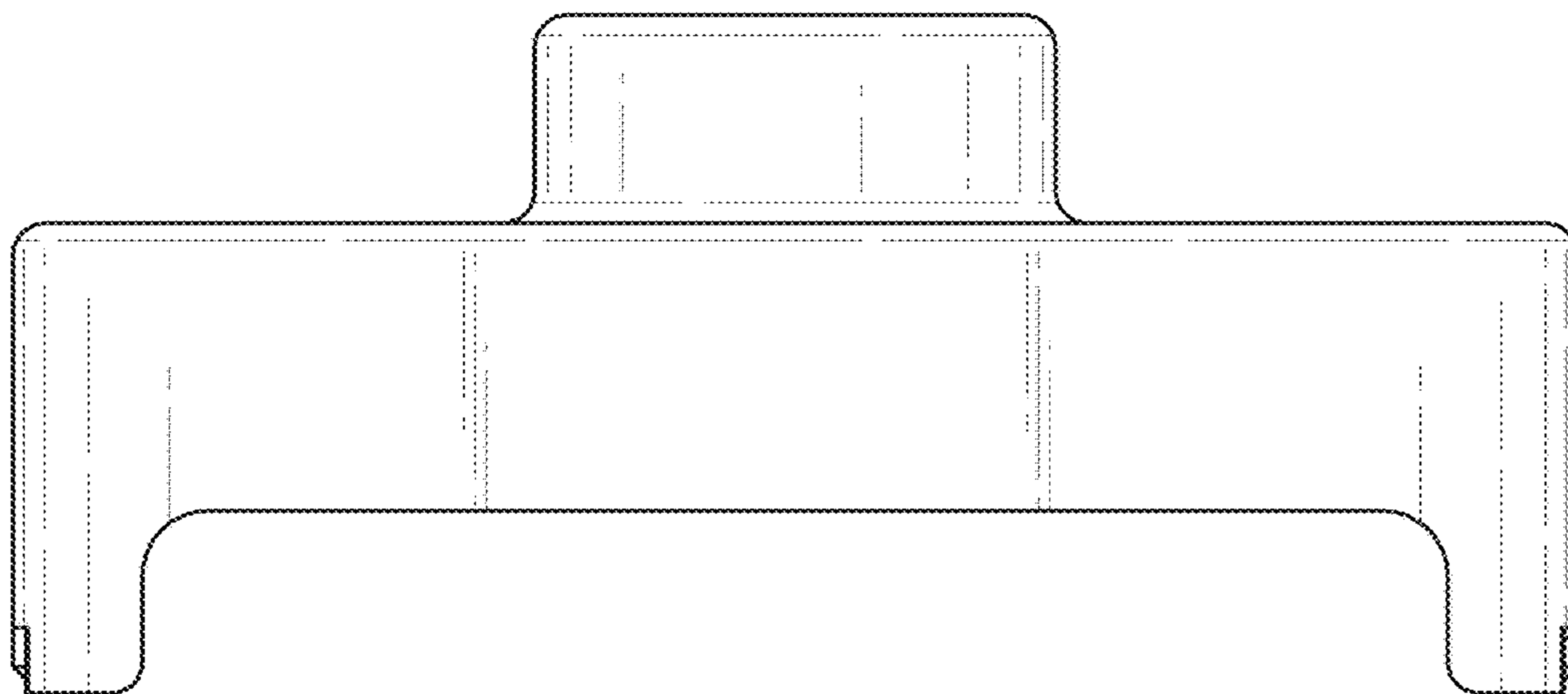


Fig. 5

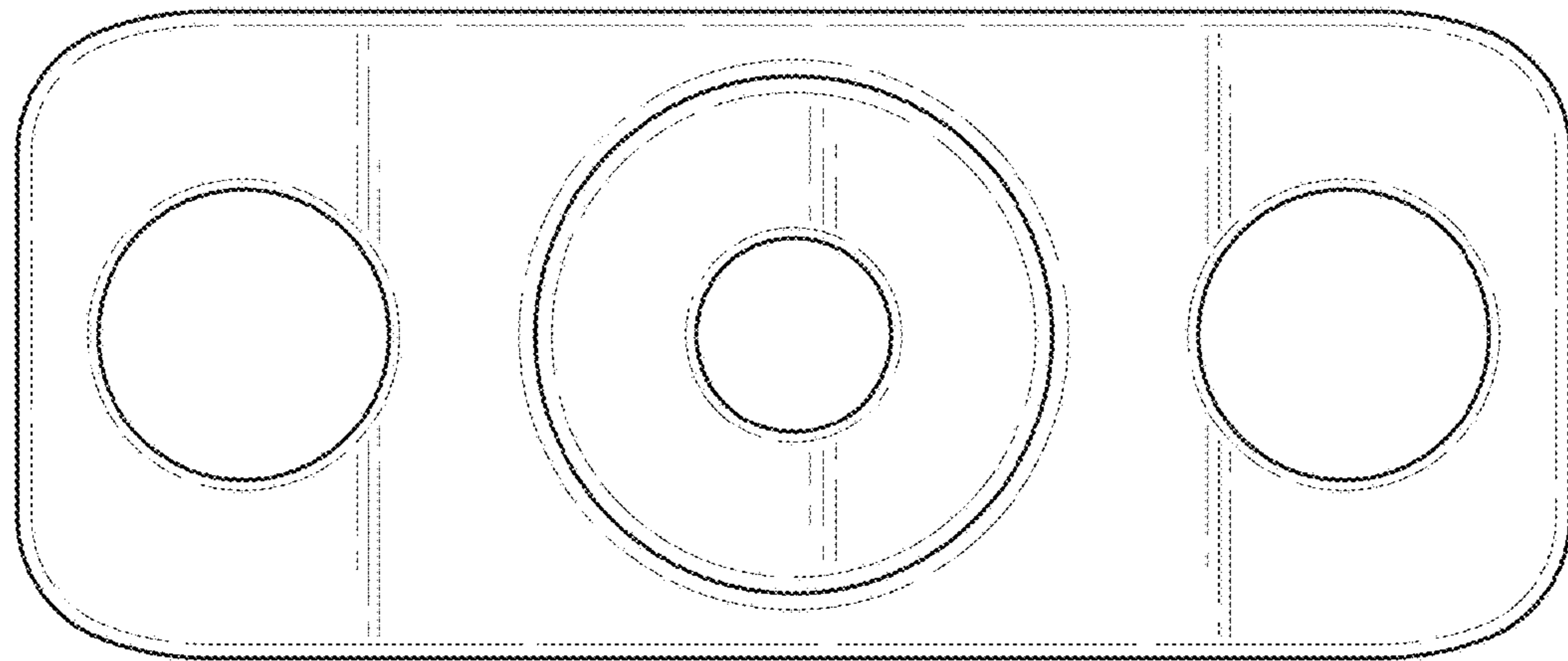


Fig. 6

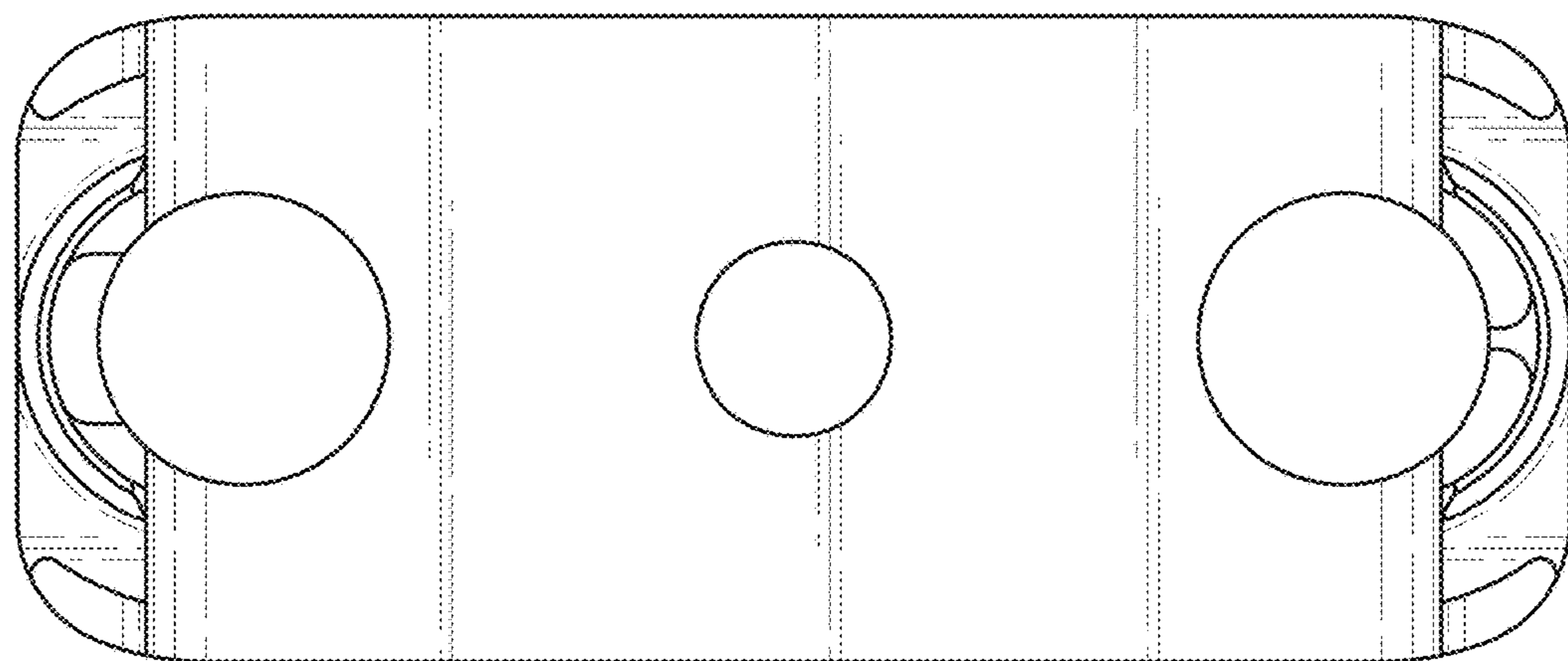


Fig. 7

