



US00D801162S

(12) **United States Design Patent** (10) **Patent No.:** **US D801,162 S**  
**Xie** (45) **Date of Patent:** **\*\* Oct. 31, 2017**

(54) **SWING SWIVEL** 8,172,476 B2 \* 5/2012 Berney ..... F16B 45/00  
403/164  
(71) Applicant: **Shenzhen Tianyuexin Science and** D662,399 S 6/2012 Kope  
**Technology Co., Ltd., Shenzhen (CN)** D662,400 S 6/2012 Kope  
D686,058 S 7/2013 Paik et al.  
(72) Inventor: **Zengping Xie, Shenzhen (CN)** D753,986 S 4/2016 Petzl  
9,429,182 B2 \* 8/2016 Maurice ..... F16B 45/04  
D769,104 S 10/2016 Reid  
(73) Assignee: **Shenzhen Tianyuexin Science and** 2006/0179784 A1 \* 8/2006 Chen ..... F16B 21/00  
**Technology Co., Ltd., Shenzhen (CN)** 52/698  
2011/0247183 A1 \* 10/2011 Tylaska ..... F16B 45/02  
24/601.5  
(\*\*) Term: **15 Years**

(21) Appl. No.: **29/601,323**  
(22) Filed: **Apr. 21, 2017**  
(51) **LOC (10) Cl.** ..... **08-05**  
(52) **U.S. Cl.**  
USPC ..... **D8/367**  
(58) **Field of Classification Search**  
USPC ..... D8/367, 354, 349, 394, 372; D3/228;  
224/247, 197  
CPC ..... F16L 3/13; F16L 3/26; A47G 23/0225;  
A47G 25/06; A47G 1/16; A47F 5/0846;  
A47F 5/02; H02G 11/003; D06F 55/00;  
E04H 17/10; A45F 5/02  
See application file for complete search history.

(56) **References Cited**  
**U.S. PATENT DOCUMENTS**  
2,193,291 A \* 3/1940 Marchins ..... F16G 15/08  
59/89  
2,400,291 A \* 5/1946 D Aleo ..... B63B 21/24  
403/164  
4,274,252 A \* 6/1981 Cavender ..... F16G 15/08  
59/86  
D346,423 S 4/1994 Kitagawa  
D346,734 S 5/1994 Rohr  
D429,996 S 8/2000 Fiorentino  
D474,394 S 5/2003 Smith  
D573,875 S \* 7/2008 Anderson ..... D8/367  
D600,106 S 9/2009 Berney  
D602,348 S 10/2009 Berney

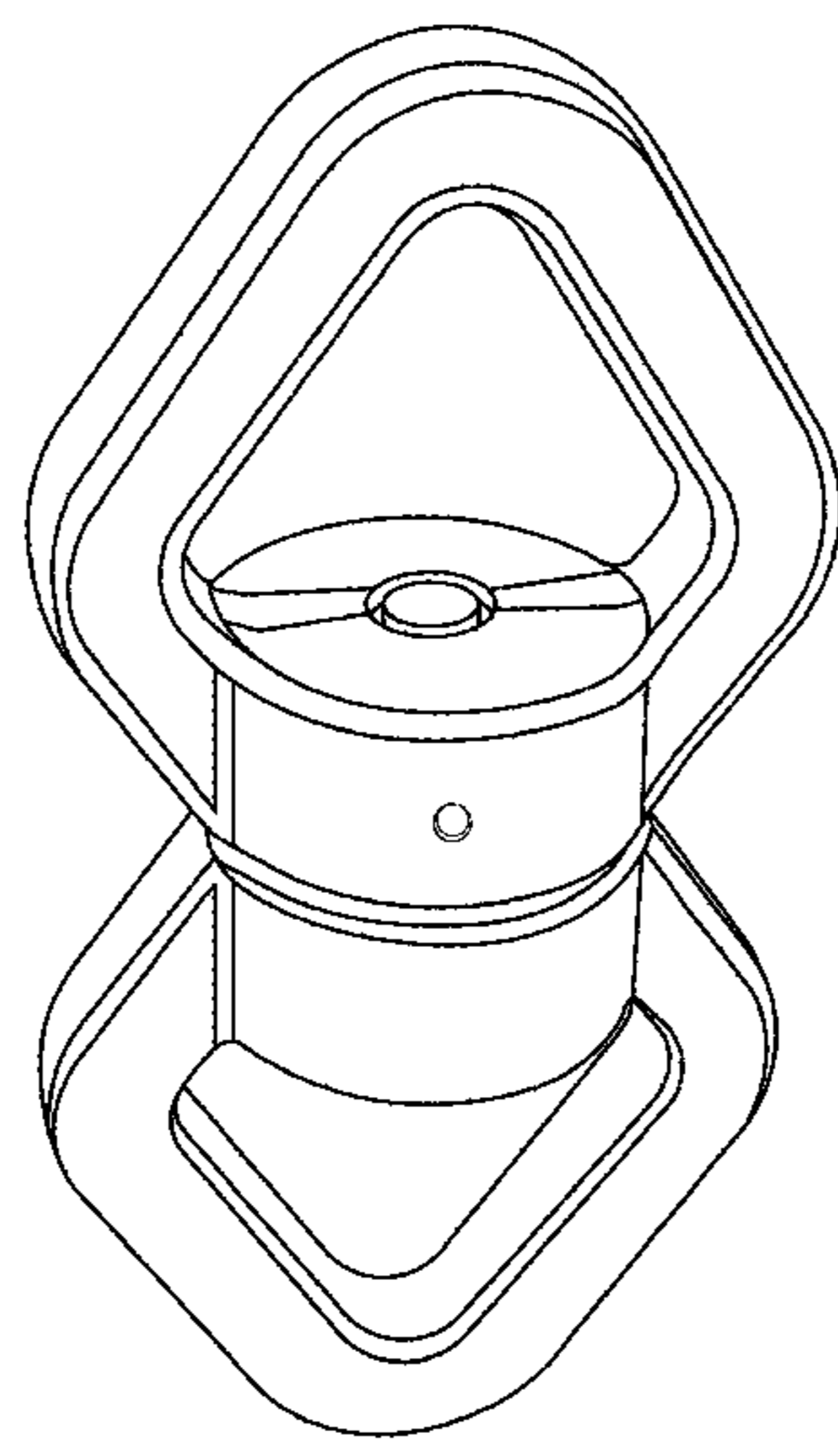
**OTHER PUBLICATIONS**  
Ddoland Rotational Clasps Ring Rotator Swing Spinner Swivel  
Rotation Connector Aluminum Alloy, "https://www.walmart.com/  
ip/ODOLANDRotationalClaspsRingRotatorSwingSpin-  
nerSwivelRotationConnectorAluminumAlloy/  
153932256?wmlspartner", Accessed: Apr. 14, 2017, 4 pgs.

\* cited by examiner  
*Primary Examiner* — Cynthia Underwood  
(74) *Attorney, Agent, or Firm* — Maier & Maier, PLLC

(57) **CLAIM**  
The ornamental design for swing swivel, as shown and  
described.

**DESCRIPTION**  
FIG. 1 is a front elevational view of swing swivel showing  
my new design;  
FIG. 2 is a rear elevational view thereof;  
FIG. 3 is a left elevational view thereof;  
FIG. 4 is a right elevational view thereof;  
FIG. 5 is a top plan view thereof;  
FIG. 6 is a bottom plan view thereof;  
FIG. 7 is a perspective view thereof;  
FIG. 8 is another perspective view thereof; and,  
FIG. 9 is a perspective view thereof shown in an alternative  
rotated configuration of use.

**1 Claim, 9 Drawing Sheets**



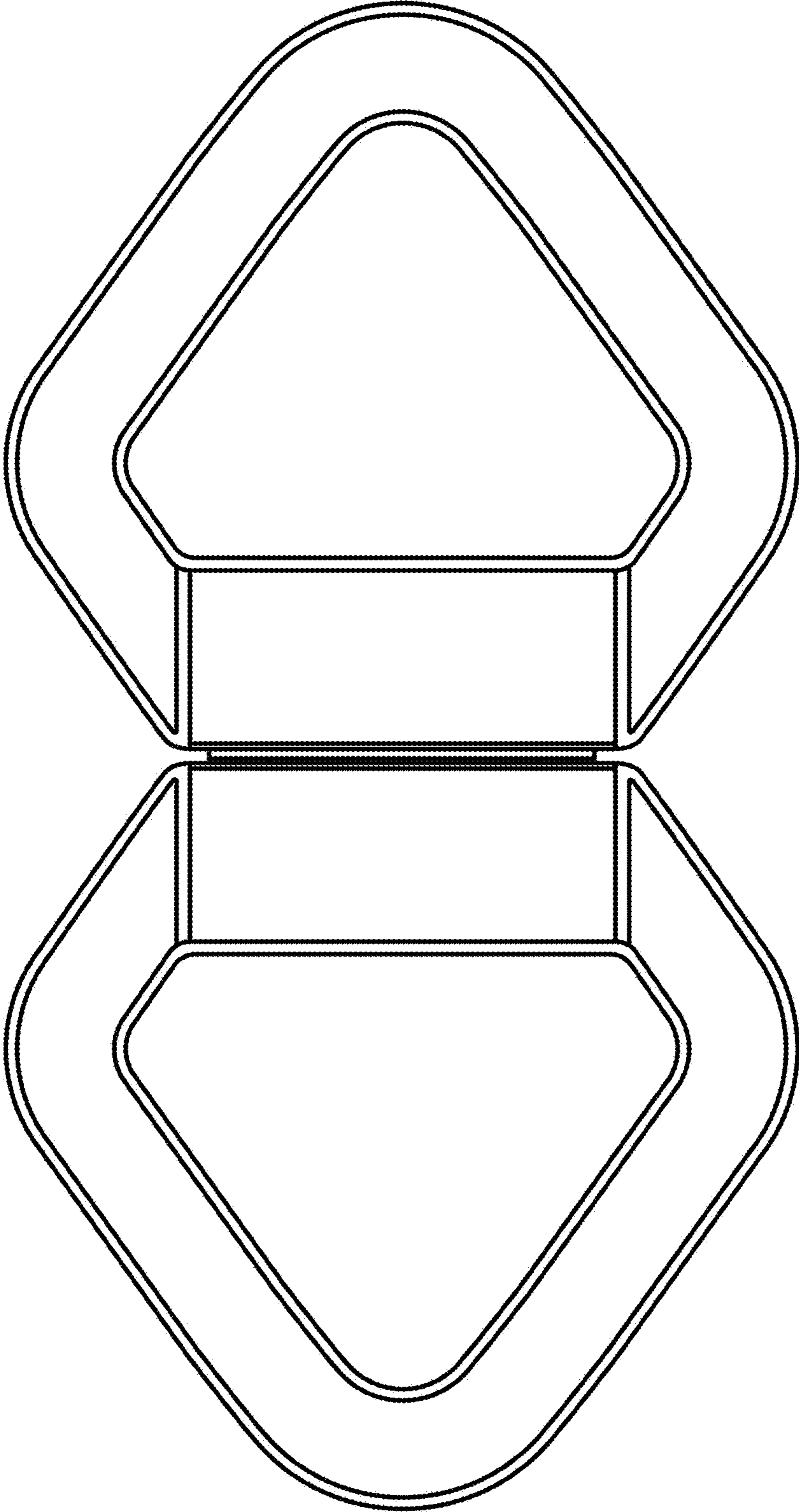


FIG. 1

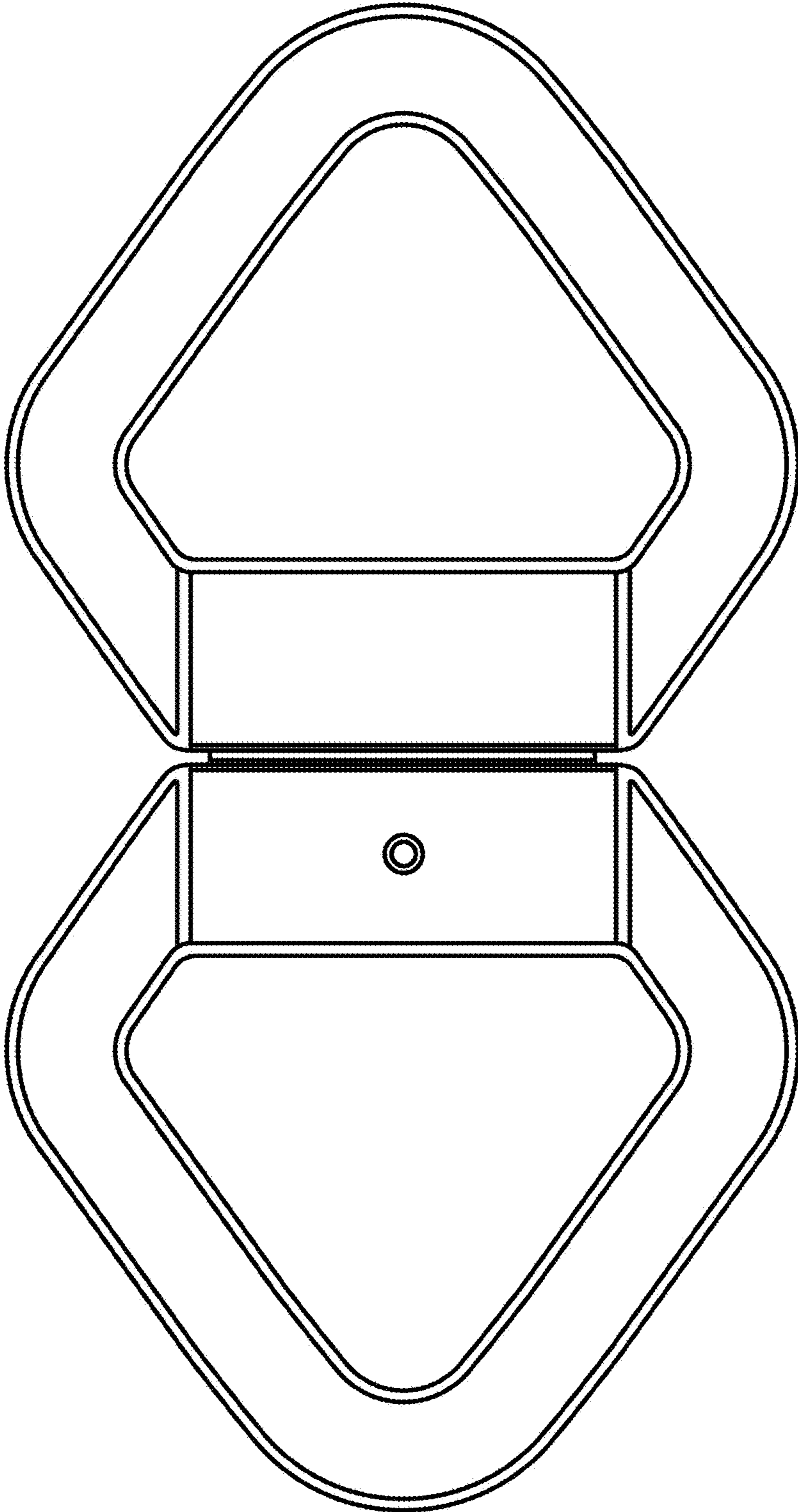


FIG. 2

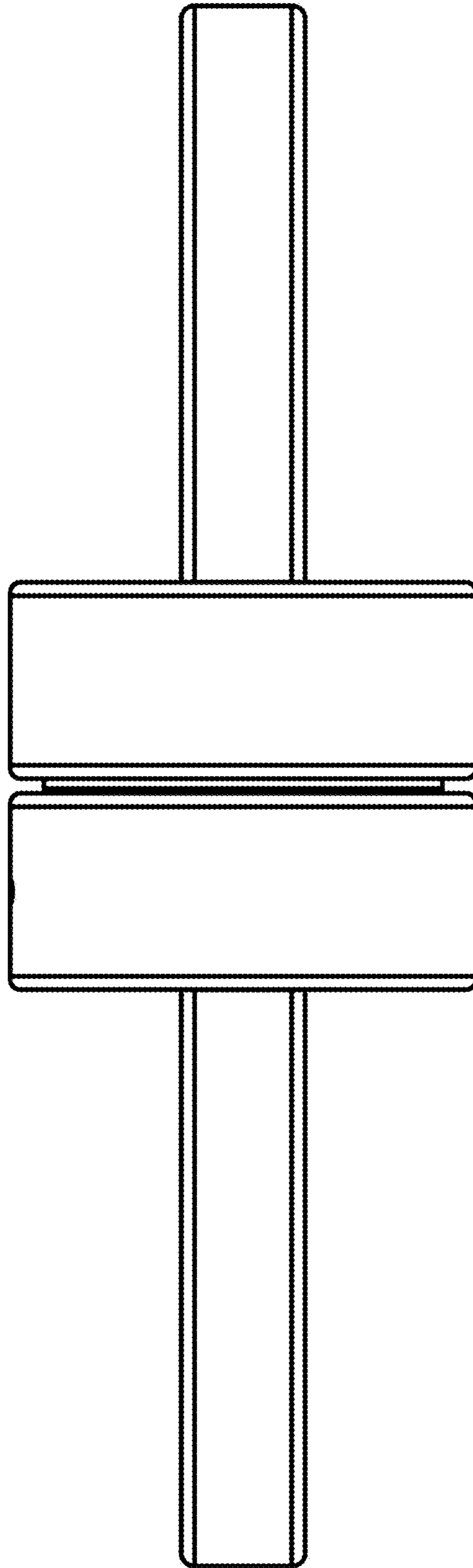


FIG. 3

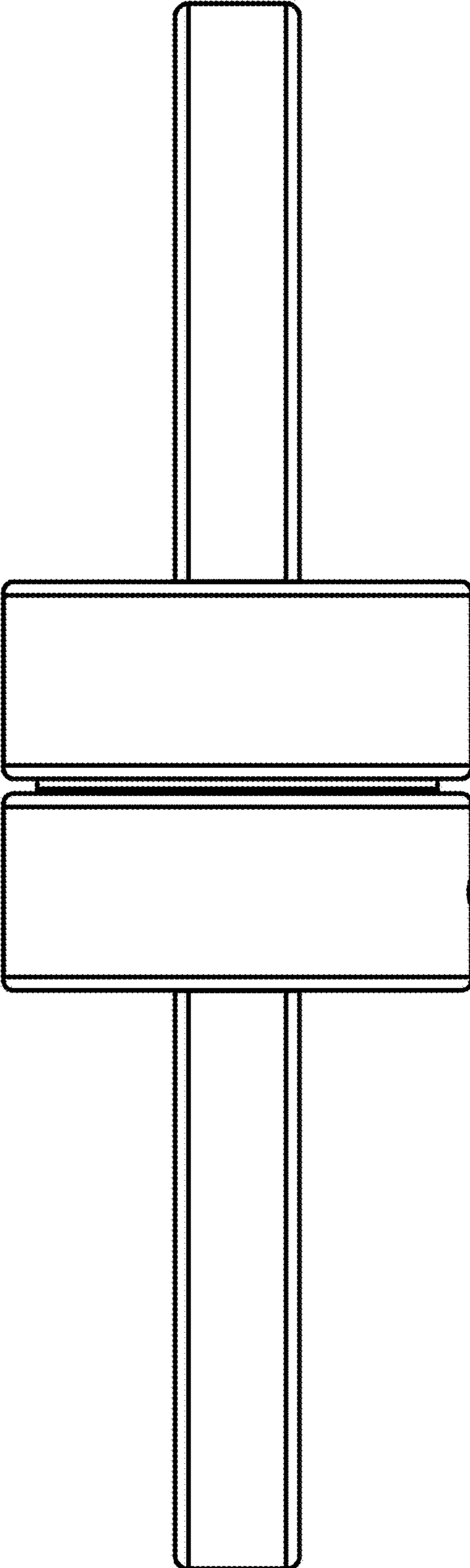


FIG. 4

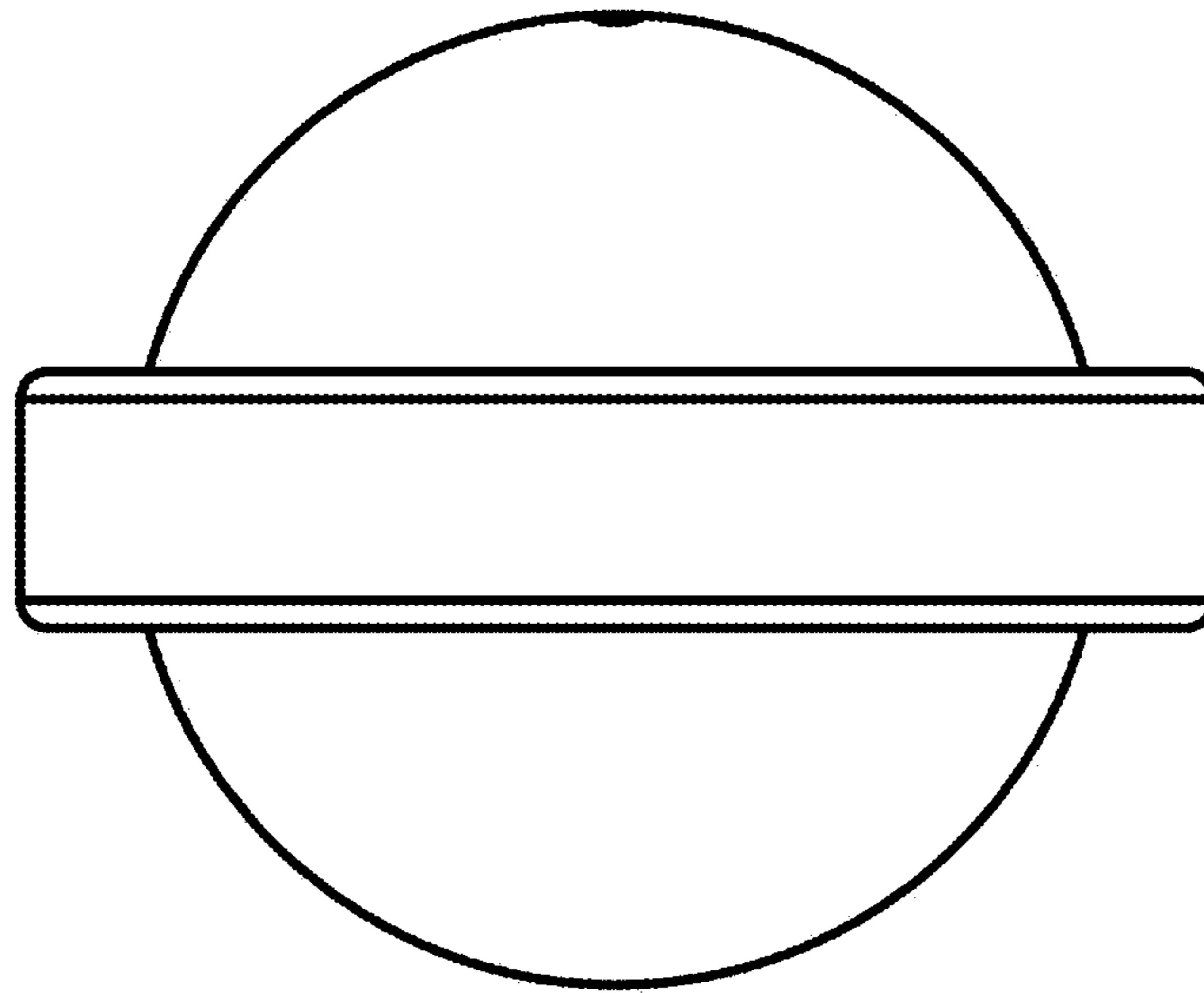


FIG. 5

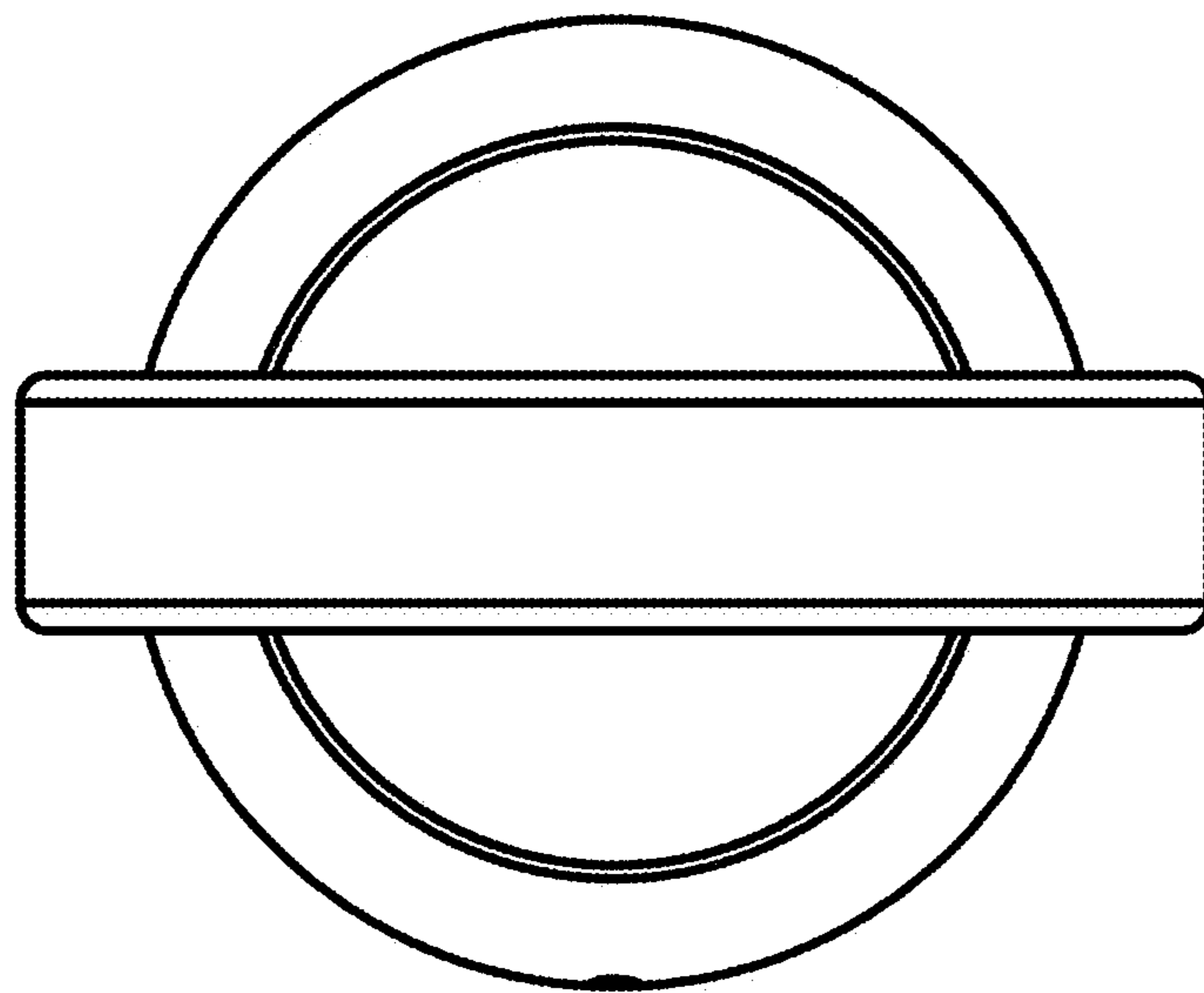


FIG. 6

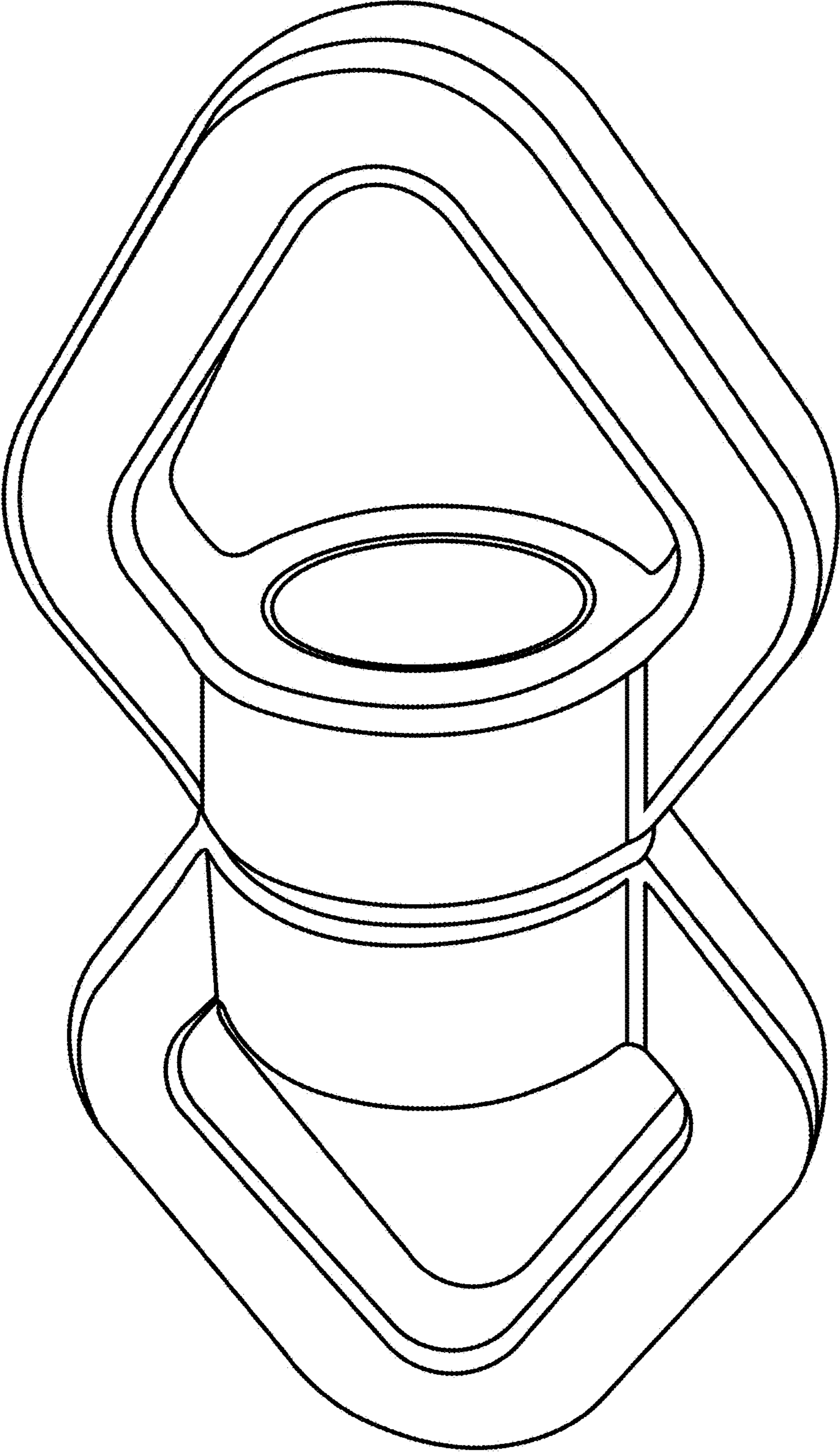


FIG. 7



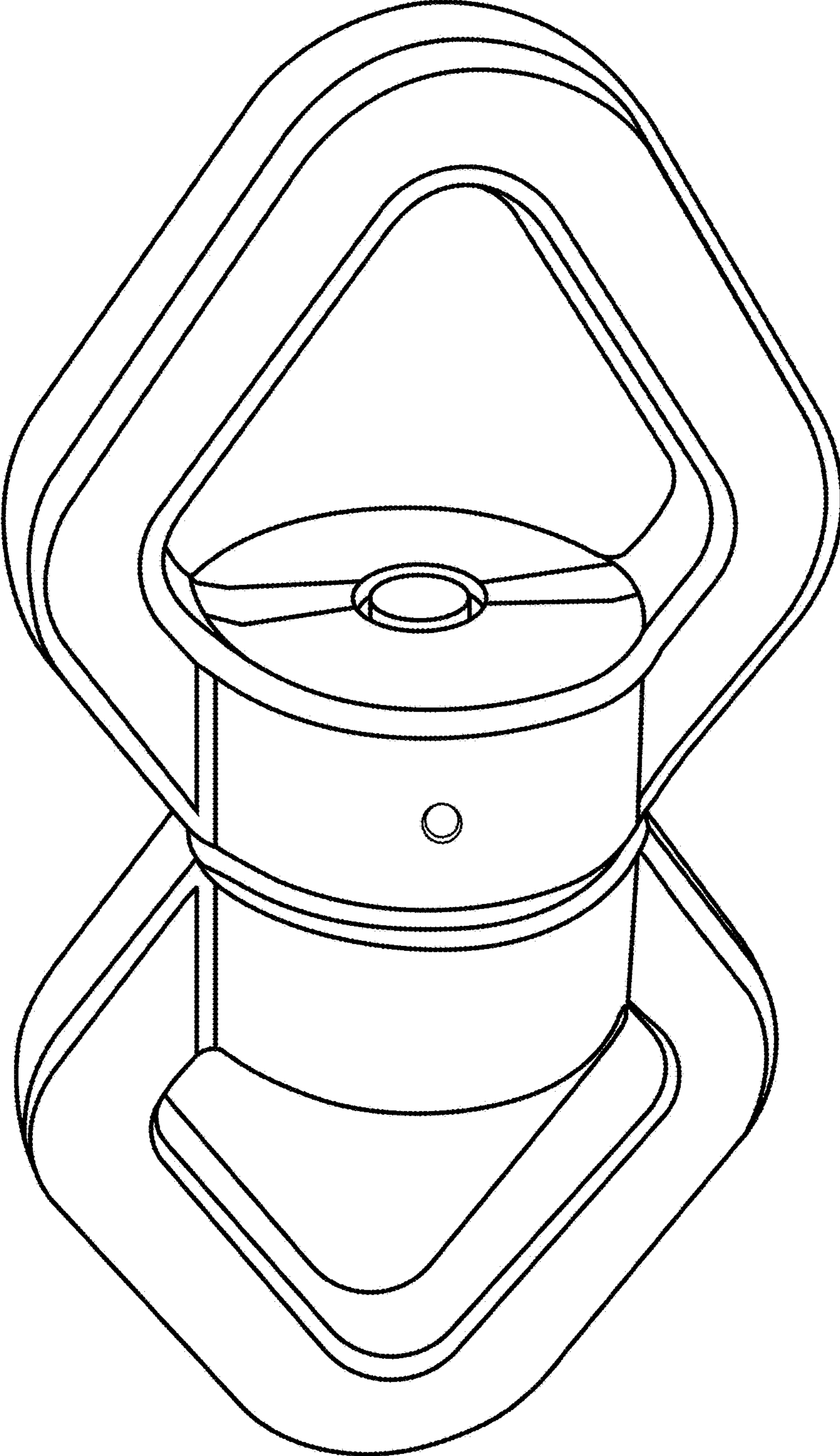


FIG. 8

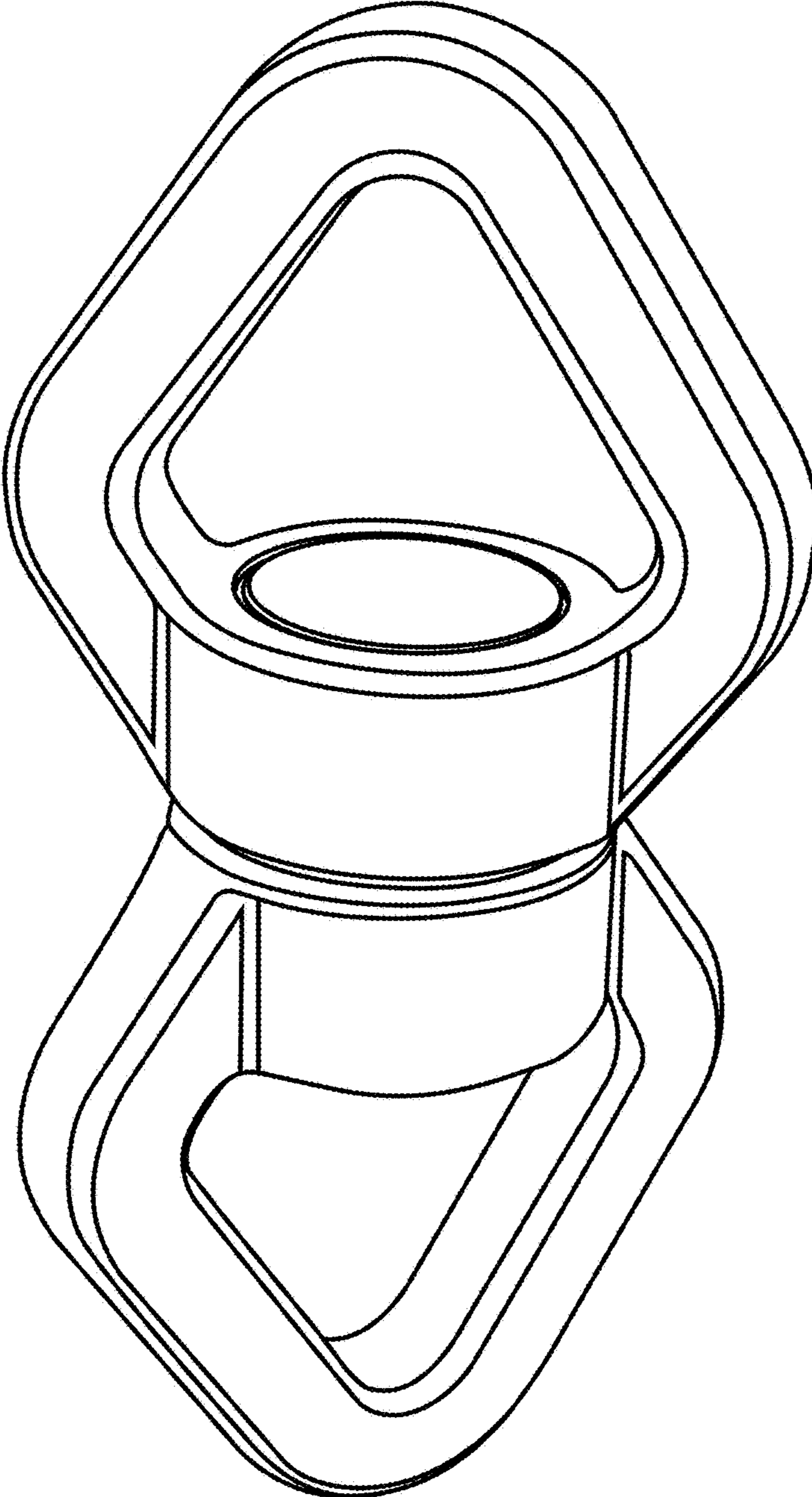


FIG. 9



US00D801162C1

(12) **EX PARTE REEXAMINATION CERTIFICATE** (11533rd)  
**United States Patent**  
**Xie**

(10) **Number:** **US D801,162 C1**  
(45) **Certificate Issued:** **Jul. 1, 2019**

(54) **SWING SWIVEL**

Appl. No.: **29/601,323**  
Filed: **Apr. 21, 2017**

(71) Applicant: **Shenzhen Tianyuexin Science and Technology Co., Ltd., Shenzhen (CN)**

(51) **LOC (11) Cl.** ..... **08-05**

(72) Inventor: **Zengping Xie, Shenzhen (CN)**

(52) **U.S. Cl.**

USPC ..... **D8/367**

(73) Assignee: **SHENZHEN TIANYUEXIN SCIENCE AND TECHNOLOGY CO., LTD., Guiyuan Sub-Dist., Luohu Dist., Guangdong, Shenzhen (CN)**

(58) **Field of Classification Search**

None  
See application file for complete search history.

(56) **References Cited**

**Reexamination Request:**

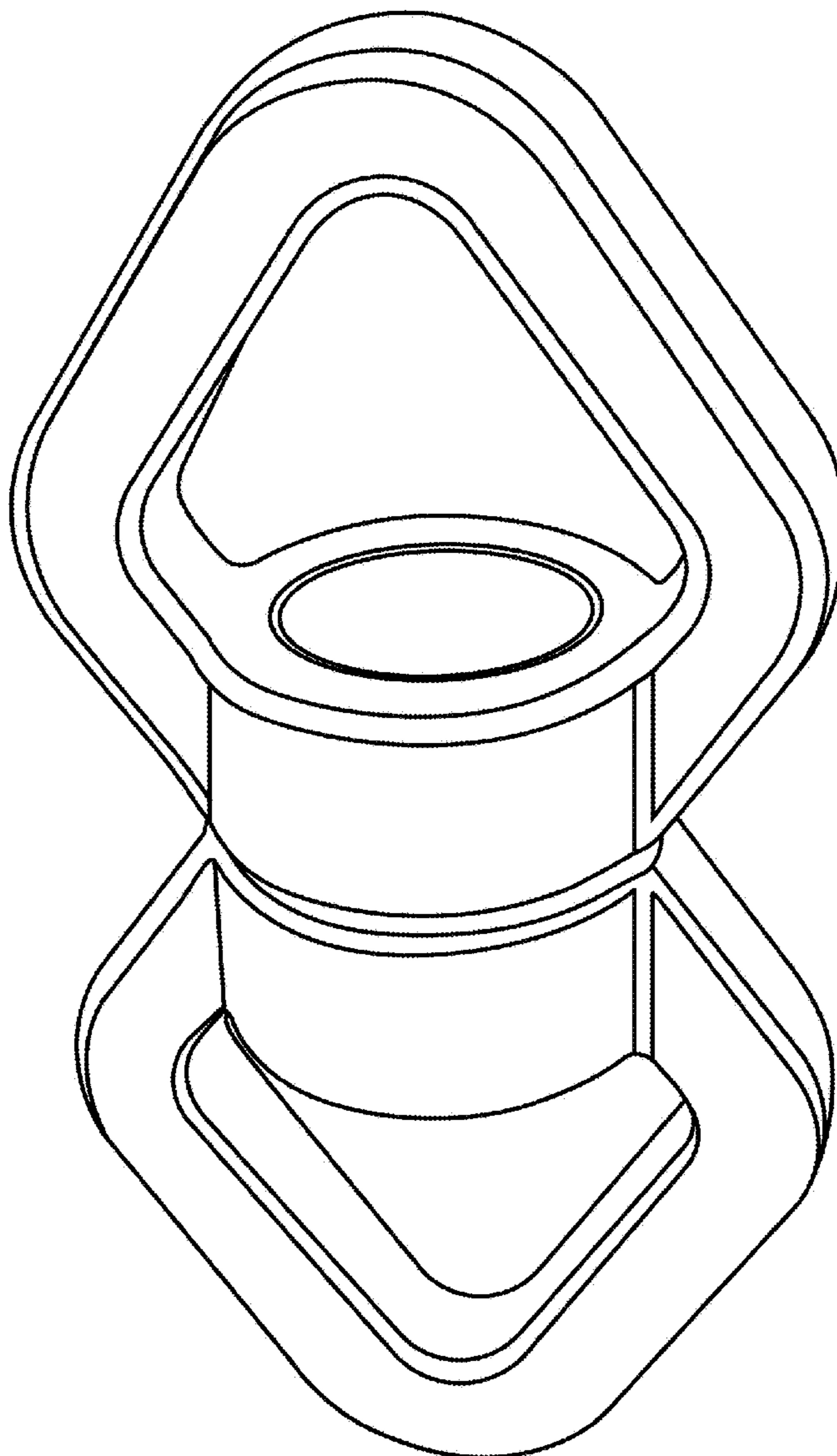
No. 90/014,098, Apr. 9, 2018

To view the complete listing of prior art documents cited during the proceeding for Reexamination Control Number 90/014,098, please refer to the USPTO's public Patent Application Information Retrieval (PAIR) system under the Display References tab.

**Reexamination Certificate for:**

Patent No.: **Des. 801,162**  
Issued: **Oct. 31, 2017**

*Primary Examiner* — Brett Miller



**1**  
**EX PARTE**  
**REEXAMINATION CERTIFICATE**

THE PATENT IS HEREBY AMENDED AS 5  
INDICATED BELOW.

AS A RESULT OF REEXAMINATION, IT HAS BEEN  
DETERMINED THAT:

The claim 1 is cancelled. 10

\* \* \* \* \*