



US00D801161S

(12) **United States Design Patent** (10) **Patent No.:** **US D801,161 S**
Xiao (45) **Date of Patent:** **** Oct. 31, 2017**

(54) **MULTI-USE HOOK**

(71) Applicant: **SHENZHEN QIANHAI HOFAN TECHNOLOGY CO., LTD.**, Shenzhen (CN)

(72) Inventor: **Guangqi Xiao**, Shenzhen (CN)

(**) Term: **15 Years**

(21) Appl. No.: **29/589,183**

(22) Filed: **Dec. 29, 2016**

(30) **Foreign Application Priority Data**

Oct. 27, 2016 (CN) 2016 3 0532179

(51) **LOC (10) Cl.** **08-05**

(52) **U.S. Cl.**
USPC **D8/367**

(58) **Field of Classification Search**

USPC D8/367, 354, 349, 394, 372, 398, 382,
D8/356; D3/228; 224/247, 197;
248/220.43, 220.42; D13/156; D34/27
CPC F16L 3/13; F16L 3/26; A47G 23/0225;
A47G 25/06; A47G 1/16; A47F 5/0846;
A47F 5/02; A47F 5/0823; H02G 11/003;
D06F 55/00; E04H 17/10; A45F 5/02;
F16B 45/02

See application file for complete search history.

(56) **References Cited**

U.S. PATENT DOCUMENTS

5,339,498 A * 8/1994 Parsons B63B 21/08
24/115 M
D368,219 S * 3/1996 Protz, Jr. D8/371
5,625,925 A * 5/1997 Richards B60P 7/0823
24/129 B

D448,276 S * 9/2001 Kelleghan 24/573.11
D626,393 S * 11/2010 Ormsbee D8/18
D699,098 S * 2/2014 Fretz D8/367
D700,041 S * 2/2014 Cobianco D8/367
D700,042 S * 2/2014 Cobianco D8/367
D746,665 S * 1/2016 Sparks, II D8/367
D764,262 S * 8/2016 Shargani D8/367
D765,497 S * 9/2016 Petzl D8/356
D791,908 S * 7/2017 Durley, Jr. D22/144

* cited by examiner

Primary Examiner — Cynthia Underwood

(74) *Attorney, Agent, or Firm* — Prakash Nama; Global IP Services, PLLC

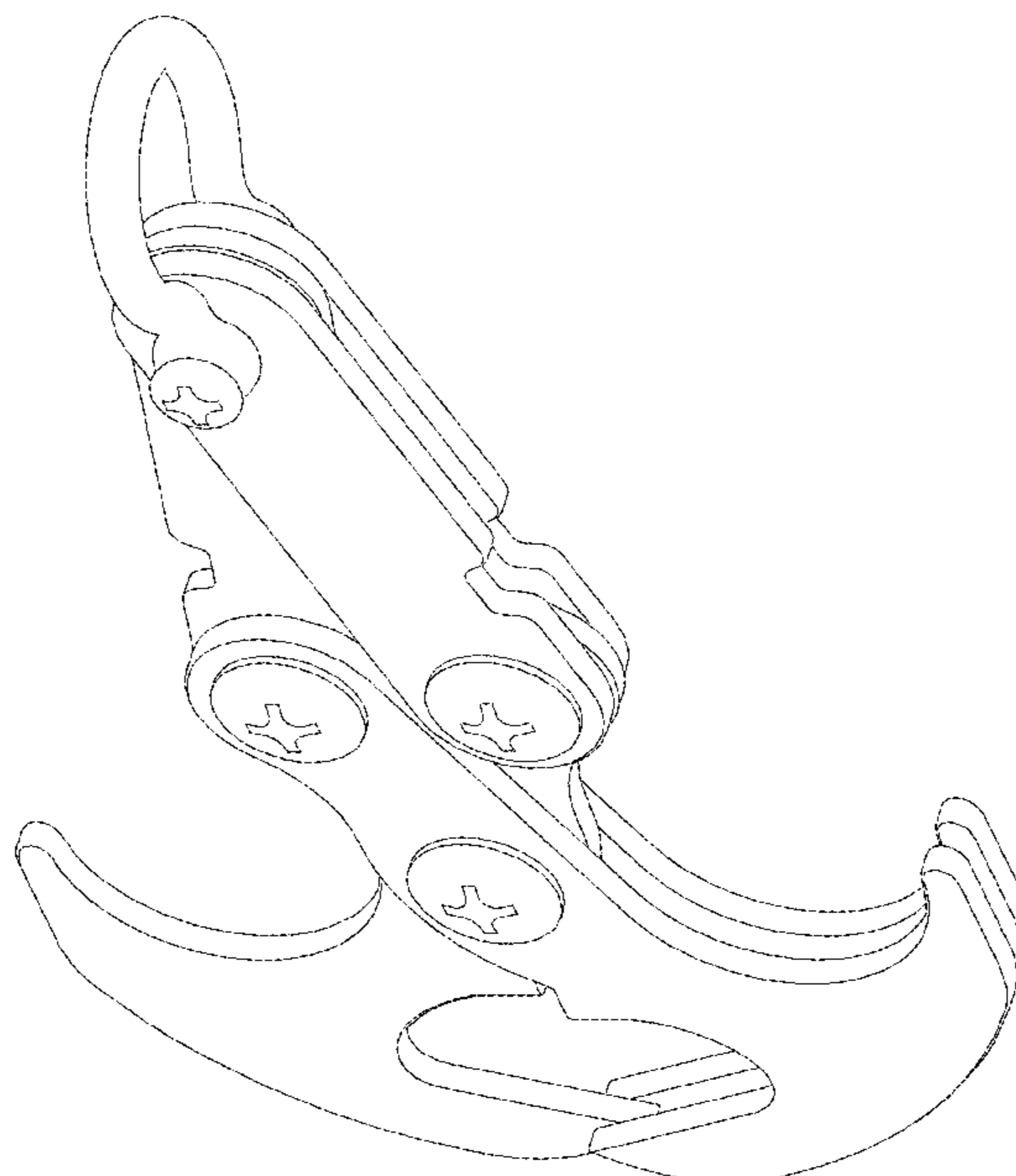
(57) **CLAIM**

The ornamental design for a multi-use hook, as shown and described.

DESCRIPTION

FIG. 1 is a front elevational view of a multi-use hook showing my new design;
FIG. 2 is a rear elevational view thereof;
FIG. 3 is a left side view thereof;
FIG. 4 is a right side view thereof;
FIG. 5 is a top plan view thereof;
FIG. 6 is a bottom plan view thereof; and
FIG. 7 is a front perspective view thereof;
FIG. 8 is a back perspective view thereof;
FIG. 9 is another front perspective view thereof showing the multi-use hook in use; and,
FIG. 10 is another back perspective view thereof showing the multi-use hook in use.
The broken lines represent environment that form no part of the claim.

1 Claim, 8 Drawing Sheets



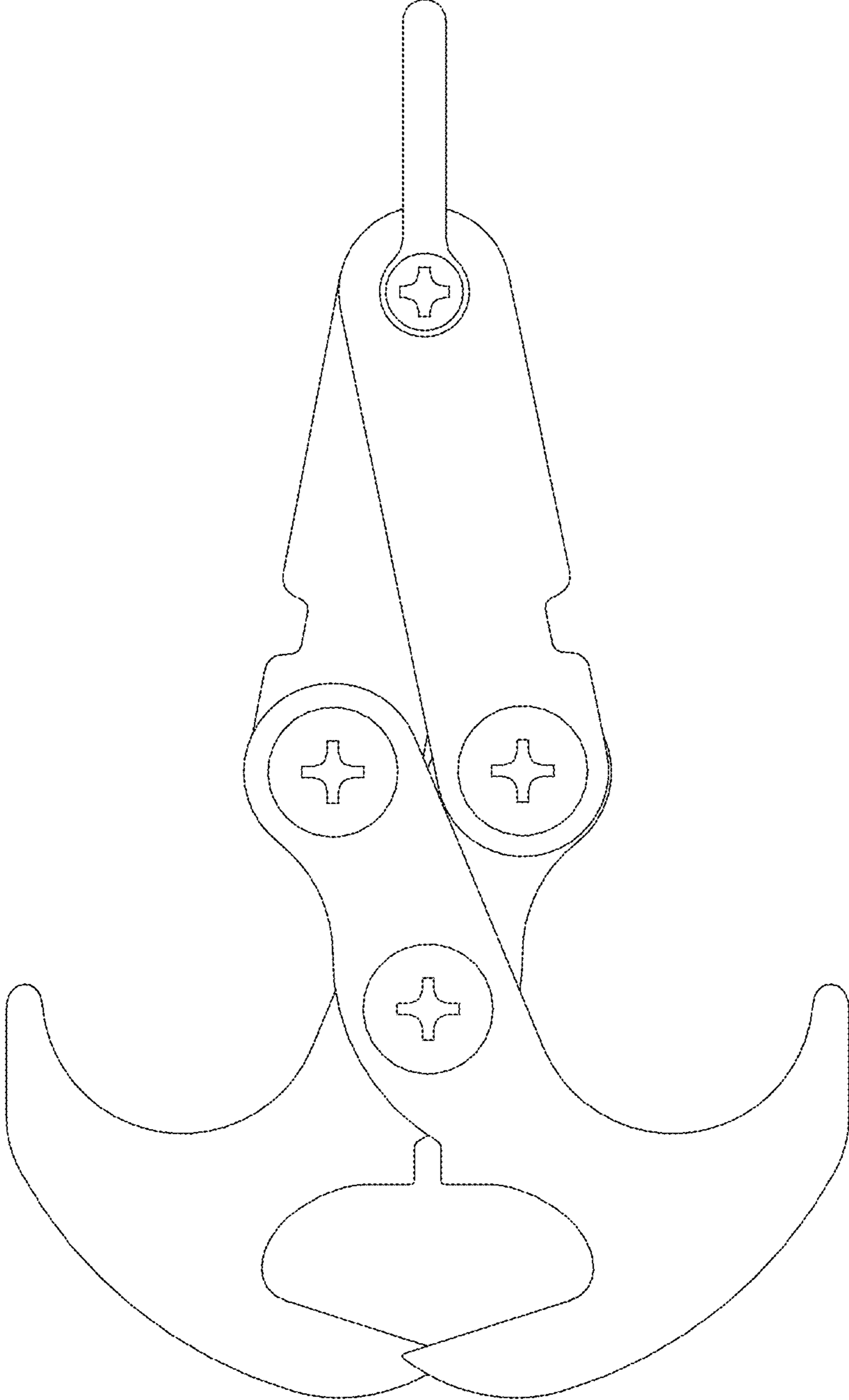


FIG. 1

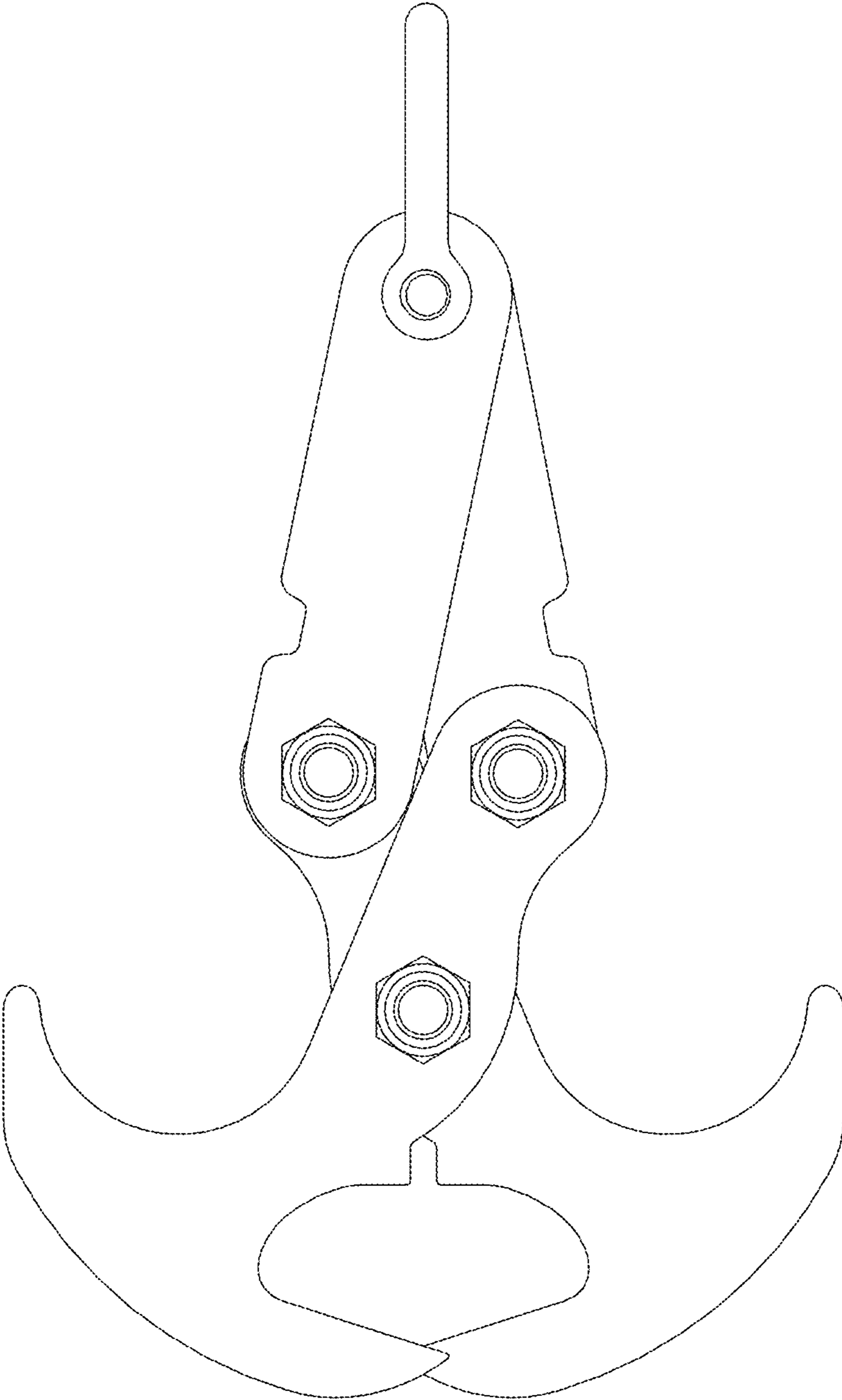


FIG. 2

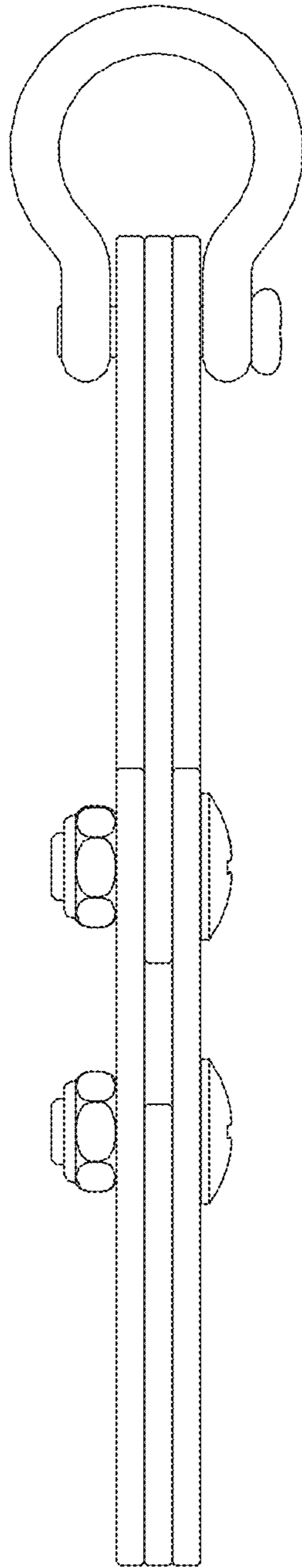


FIG. 3

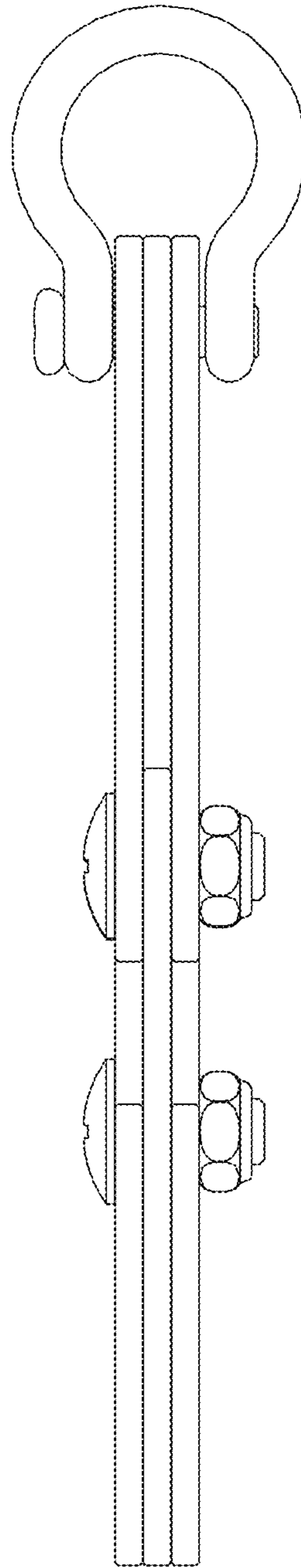


FIG. 4

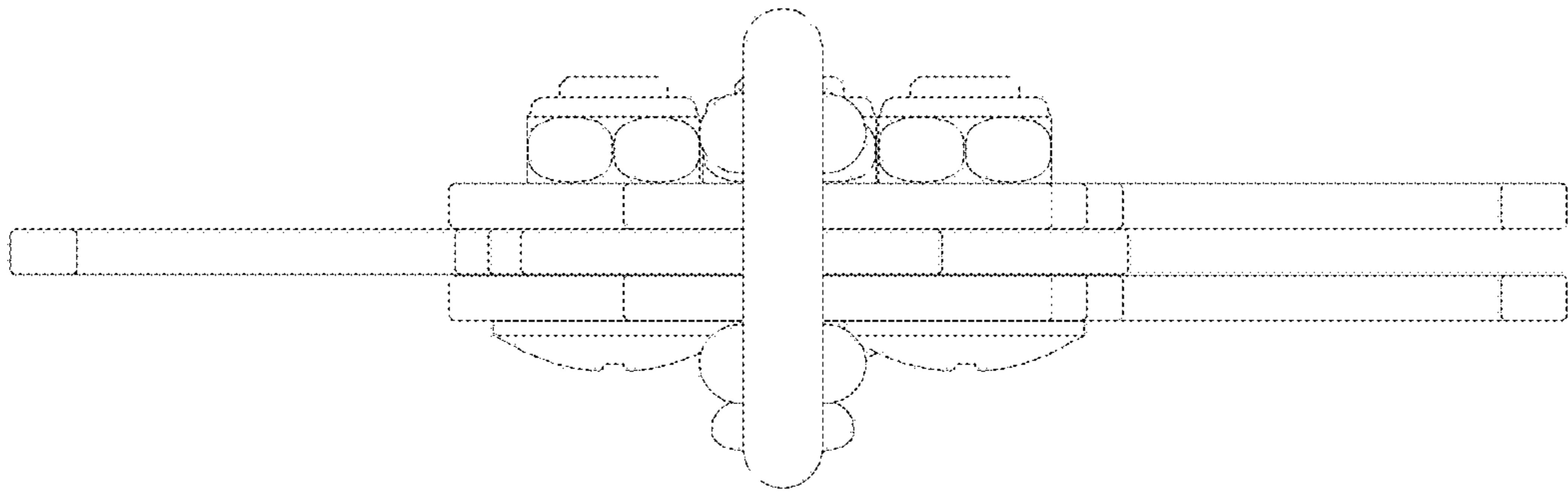


FIG. 5

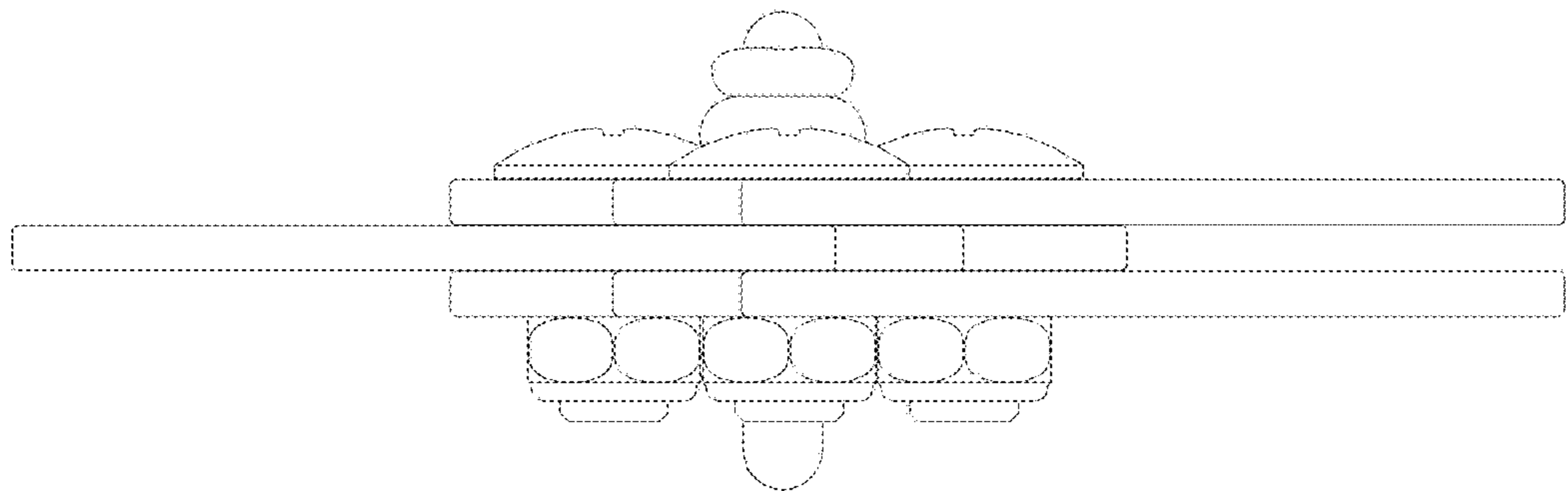


FIG. 6

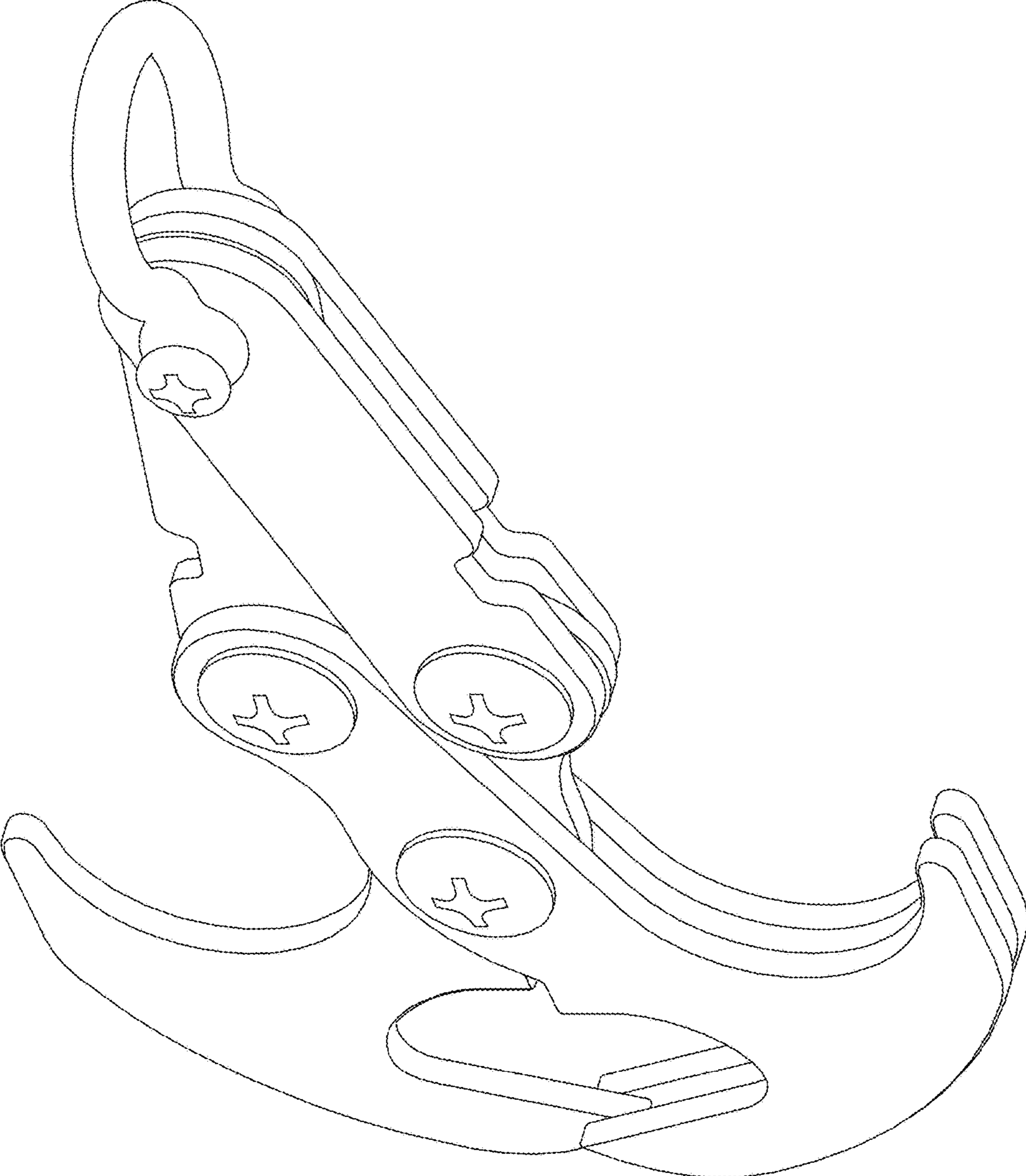


FIG. 7

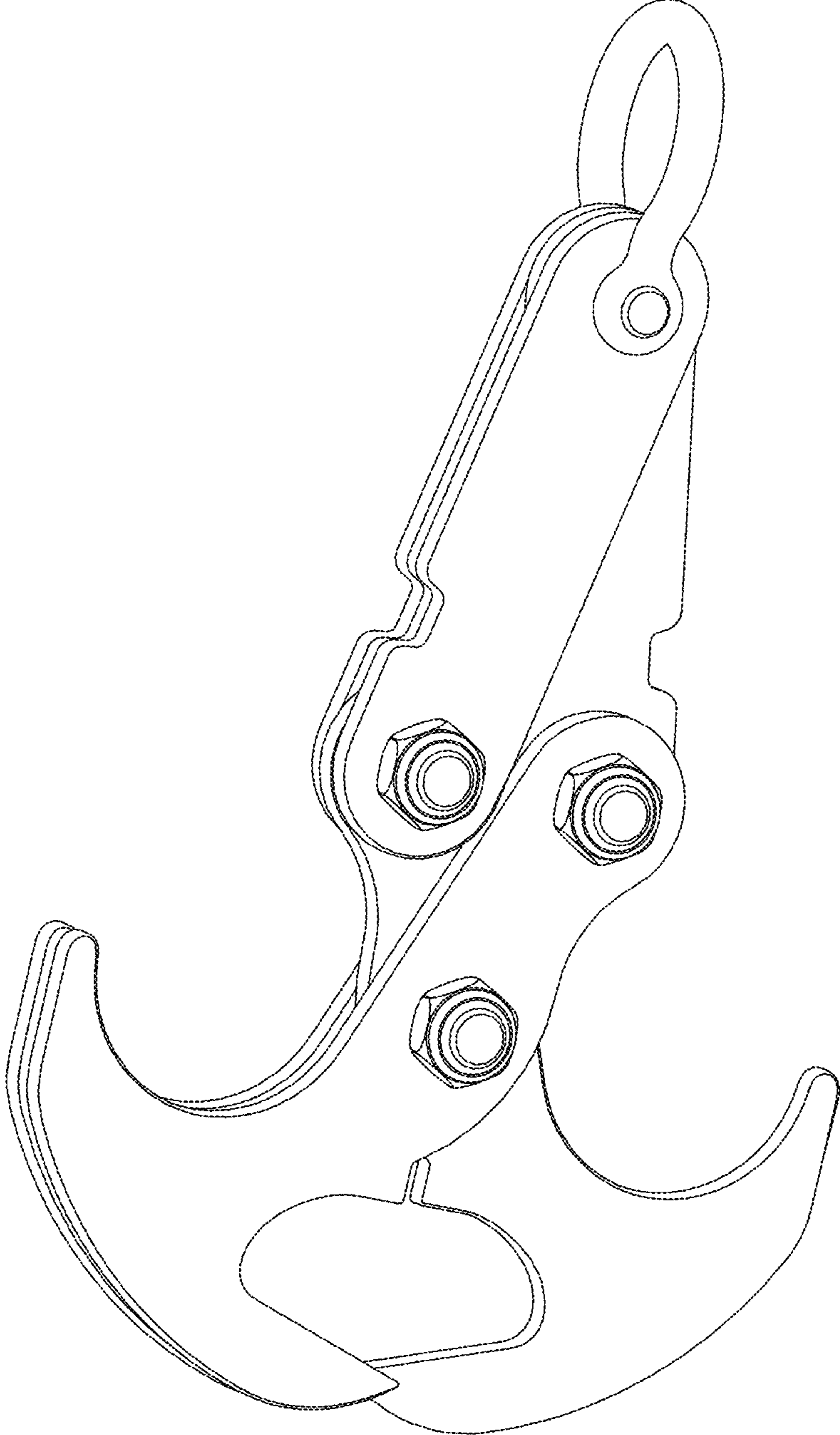


FIG. 8

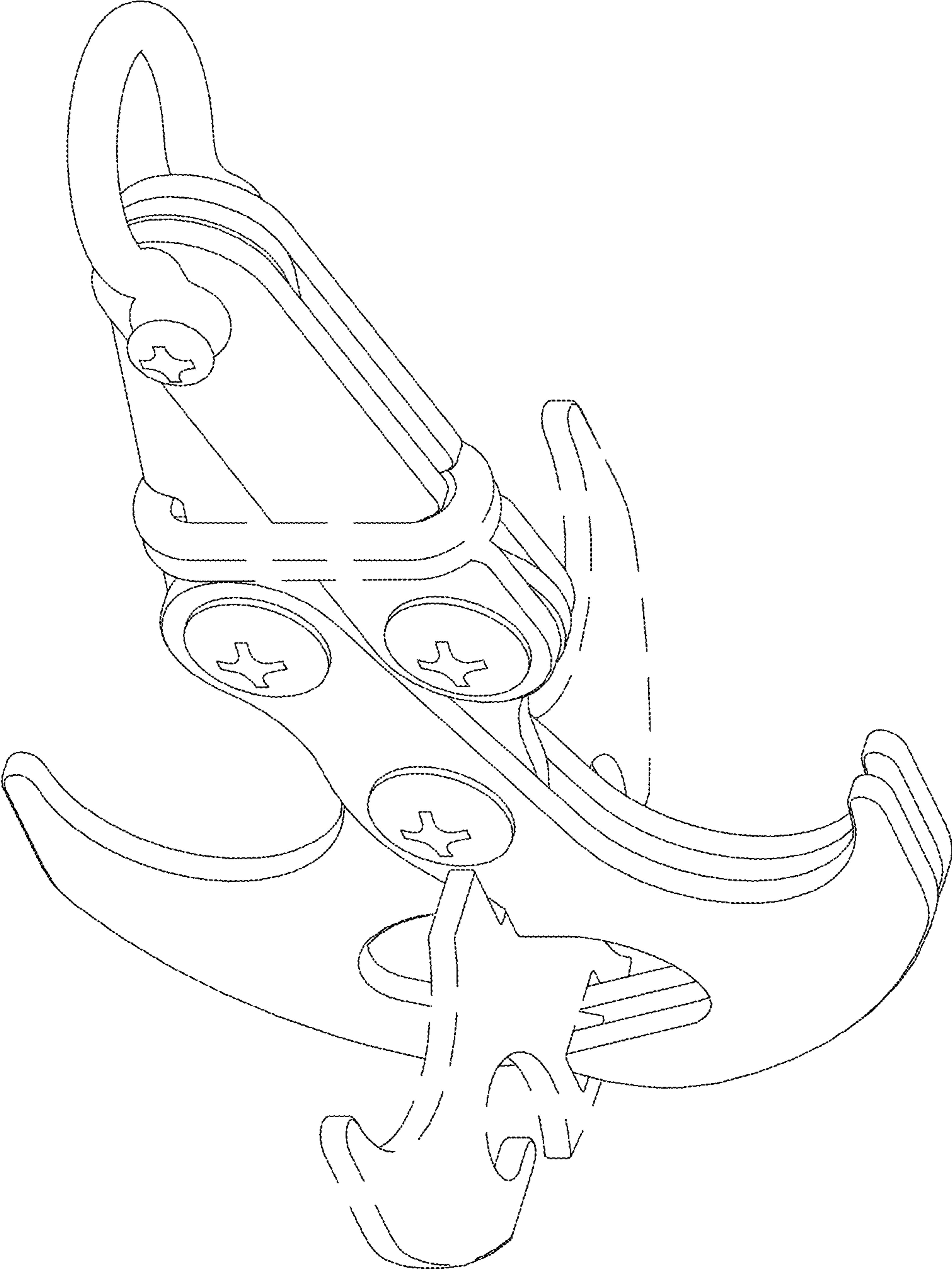


FIG. 9

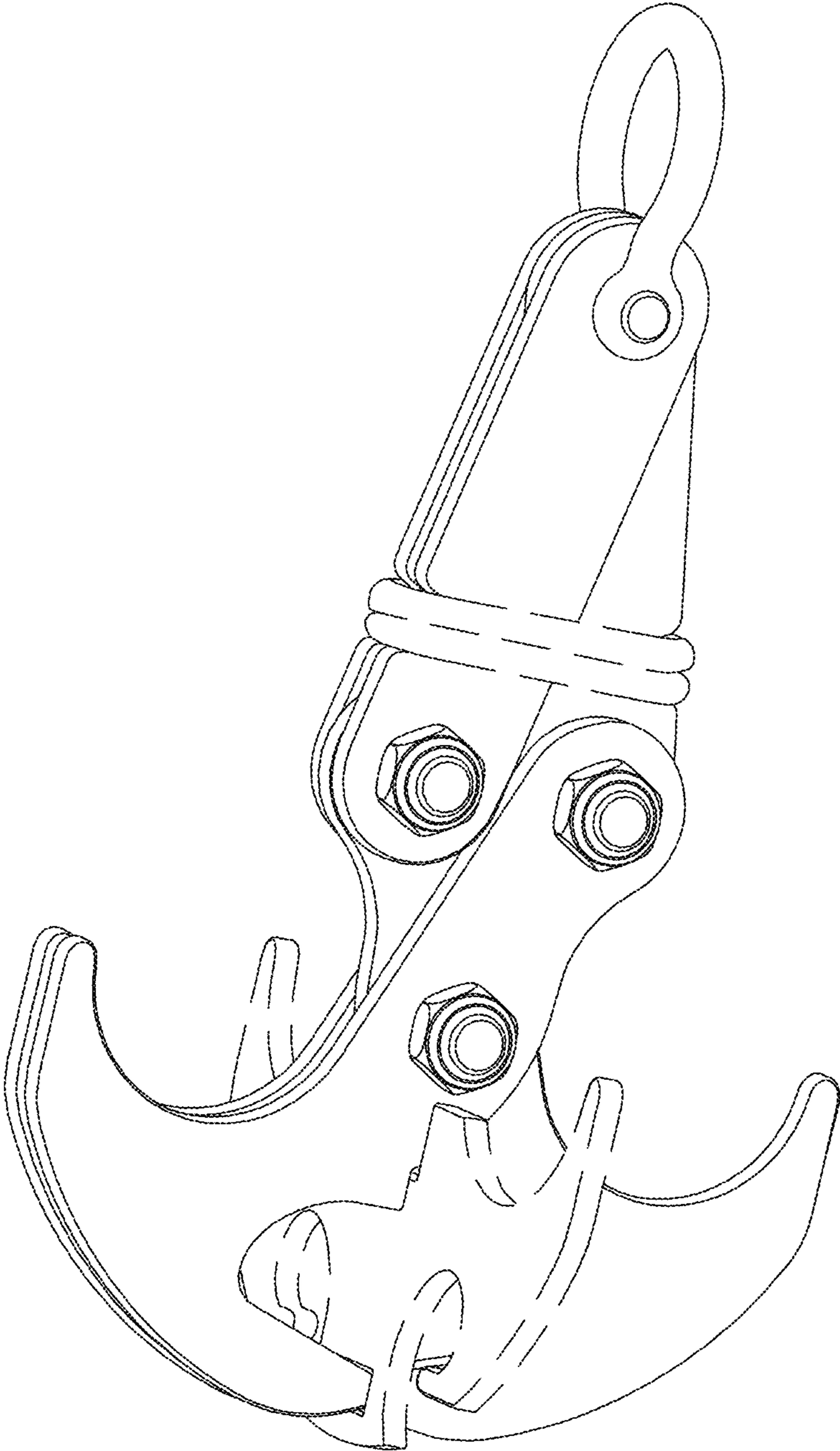


FIG. 10