



US00D801160S

(12) **United States Design Patent** (10) **Patent No.:** **US D801,160 S**  
**Westcott et al.** (45) **Date of Patent:** **\*\* Oct. 31, 2017**

(54) **IRONING BOARD LOCK**  
(71) Applicant: **Whitmor, Inc.**, Southaven, MS (US)  
(72) Inventors: **Steve Westcott**, Memphis, TN (US);  
**Sandy Felsenthal**, Memphis, TN (US)  
(73) Assignee: **Whitmor, Inc.**, Southaven, MS (US)  
(\*\*) Term: **15 Years**

(21) Appl. No.: **29/580,174**  
(22) Filed: **Oct. 6, 2016**

(51) **LOC (10) Cl.** ..... **08-05**  
(52) **U.S. Cl.**  
USPC ..... **D8/367**  
(58) **Field of Classification Search**  
USPC ..... D8/367, 354, 349, 394, 372, 398, 382,  
D8/356; D3/228; 224/247, 197;  
248/220.43, 220.42, 205.3; D13/156  
CPC ..... F16L 3/13; F16L 3/26; A47G 23/0225;  
A47G 25/06; A47G 1/16; A47F 5/0846;  
A47F 5/02; A47F 5/0823; H02G 11/003;  
D06F 55/00; E04H 17/10; A45F 5/02;  
F16B 45/02; F16B 45/00  
See application file for complete search history.

(56) **References Cited**

U.S. PATENT DOCUMENTS

1,906,267 A \* 5/1933 Hogg ..... B43K 23/001  
131/258  
3,966,157 A \* 6/1976 Corral ..... A47G 1/20  
248/217.3  
D253,079 S \* 10/1979 Hill ..... D6/552  
4,244,542 A \* 1/1981 Mathews ..... F16L 3/222  
138/112  
4,618,114 A \* 10/1986 McFarland ..... F16L 3/13  
248/220.21  
D364,555 S \* 11/1995 Neiert ..... D8/396  
5,667,177 A \* 9/1997 Van Leeuwen ..... F16B 2/245  
248/73

D393,795 S \* 4/1998 Bernstein ..... D8/373  
D417,141 S \* 11/1999 Senninger ..... D8/395  
D426,577 S \* 6/2000 Mackey ..... D19/32  
D474,968 S \* 5/2003 Hicks ..... D9/435  
6,612,525 B2 \* 9/2003 Bagdi ..... F16B 21/02  
248/71  
D490,690 S \* 6/2004 Brass ..... D8/354  
7,225,745 B2 \* 6/2007 Schwerdlin ..... A47B 3/00  
108/118

(Continued)

*Primary Examiner* — Cynthia Underwood  
(74) *Attorney, Agent, or Firm* — Stites & Harbison  
PLLC; Richard S. Myers, Jr.

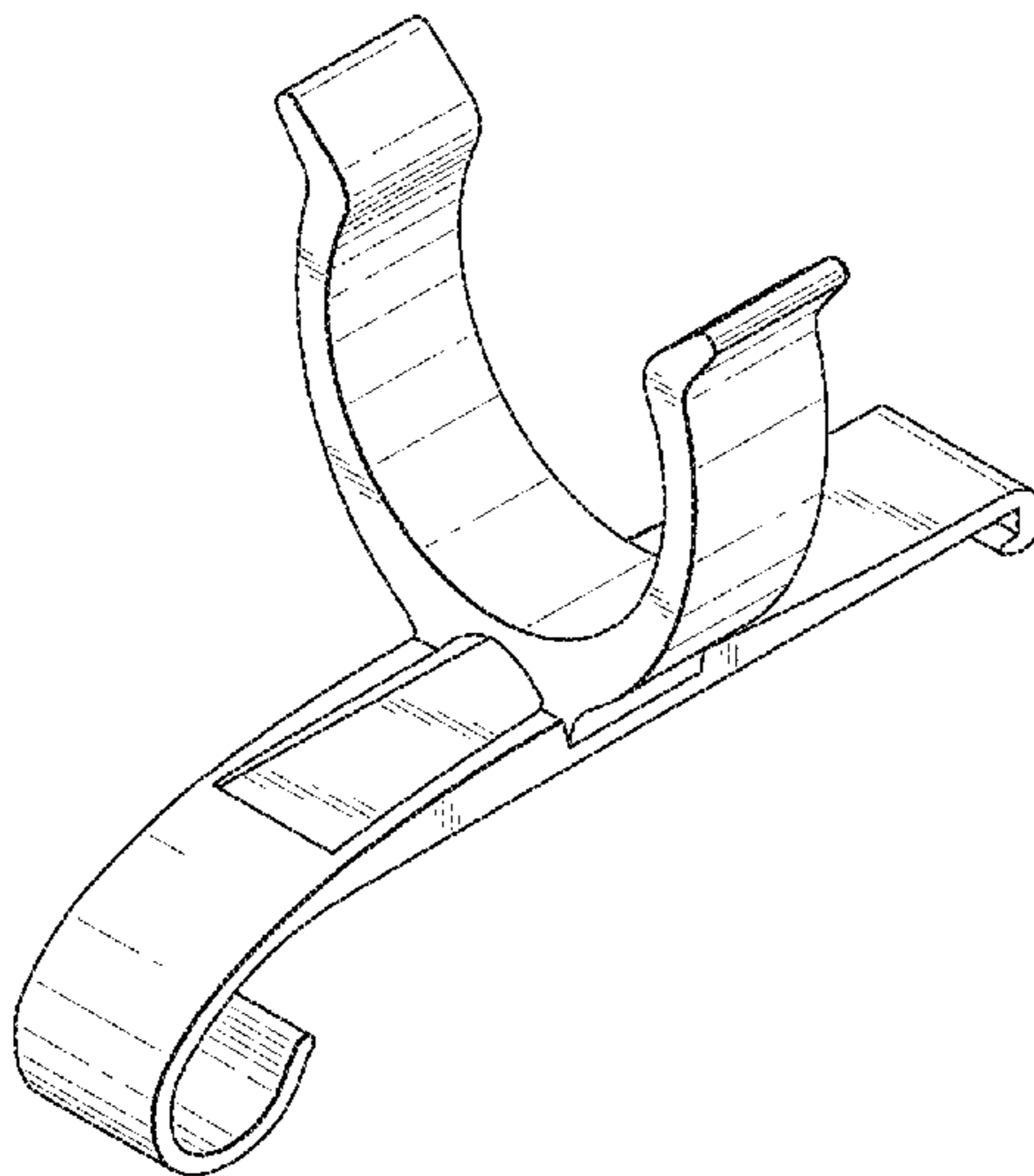
(57) **CLAIM**

The ornamental design for an ironing board lock, as shown and described.

**DESCRIPTION**

FIG. 1 is a top perspective view of the design of an ironing board lock showing the new design;  
FIG. 2 is a front elevation view of the ironing board lock shown in FIG. 1;  
FIG. 3 is a rear elevation view of the ironing board lock shown in FIG. 1;  
FIG. 4 is a left side elevation view of the ironing board lock shown in FIG. 1 (the right side elevation view of the ironing board lock is a mirror image of the view shown in FIG. 4);  
FIG. 5 is a top plan view of the ironing board lock shown in FIG. 1;  
FIG. 6 is a bottom plan view of the ironing board lock shown in FIGS. 1; and,  
FIG. 7 is a perspective view of the ironing board lock shown in FIG. 1 illustrating the ironing board lock attached to an ironing board.  
The broken lines shown in the drawing views are included for the purpose of showing environmental structure that forms no part of the claimed design.

**1 Claim, 4 Drawing Sheets**



(56)

References Cited

U.S. PATENT DOCUMENTS

D601,880 S \* 10/2009 Veilleux ..... D8/367  
 D614,995 S \* 5/2010 Pontaoe ..... D11/212  
 D629,673 S \* 12/2010 Shaha ..... D8/367  
 8,113,476 B2 \* 2/2012 Serio ..... A47G 1/20  
 248/206.5  
 D661,570 S \* 6/2012 Fox ..... D8/356  
 8,387,217 B1 \* 3/2013 Hinds ..... A63B 21/00065  
 24/134 R  
 D680,262 S \* 4/2013 Mansfield ..... D27/161  
 D682,663 S \* 5/2013 Evon ..... D8/367  
 D688,936 S \* 9/2013 Chen ..... D8/354  
 D699,097 S \* 2/2014 Chung ..... D8/354  
 D700,829 S \* 3/2014 Nanbu ..... D8/367  
 D707,110 S \* 6/2014 Veilleux ..... D8/367  
 D709,355 S \* 7/2014 Berger ..... D8/356  
 D712,725 S \* 9/2014 Wu ..... D8/367  
 D713,712 S \* 9/2014 Beversluis ..... D8/396  
 D719,438 S \* 12/2014 Veilleux ..... D8/367  
 D720,985 S \* 1/2015 Veilleux ..... D8/367  
 D729,046 S \* 5/2015 Paik ..... D8/367

D732,009 S \* 6/2015 Bak ..... D14/229  
 D735,554 S \* 8/2015 Solberg ..... D8/349  
 D739,221 S \* 9/2015 Sendra-Gonzalez .. F24J 2/5203  
 D8/349  
 D740,110 S \* 10/2015 Luoma ..... D8/394  
 D745,379 S \* 12/2015 Lindsay ..... D8/373  
 D747,180 S \* 1/2016 Burcar ..... D8/367  
 D756,205 S \* 5/2016 New ..... D8/367  
 D761,100 S \* 7/2016 Divers ..... D8/396  
 D764,901 S \* 8/2016 Esparza ..... D8/367  
 D766,711 S \* 9/2016 Babbage ..... D8/394  
 9,435,071 B2 \* 9/2016 Welsh, Jr.  
 2006/0215868 A1 \* 9/2006 Okamura ..... H04R 1/105  
 381/381  
 2009/0146021 A1 \* 6/2009 Becker ..... F16L 3/02  
 248/68.1  
 2010/0164432 A1 \* 7/2010 Yang ..... H02J 7/0044  
 320/111  
 2015/0233047 A1 8/2015 Welsh, Jr.  
 2015/0342331 A1 \* 12/2015 Tom ..... A45F 5/021  
 224/666  
 2017/0120839 A1 \* 5/2017 Harris ..... B60R 11/00

\* cited by examiner

FIG. 1

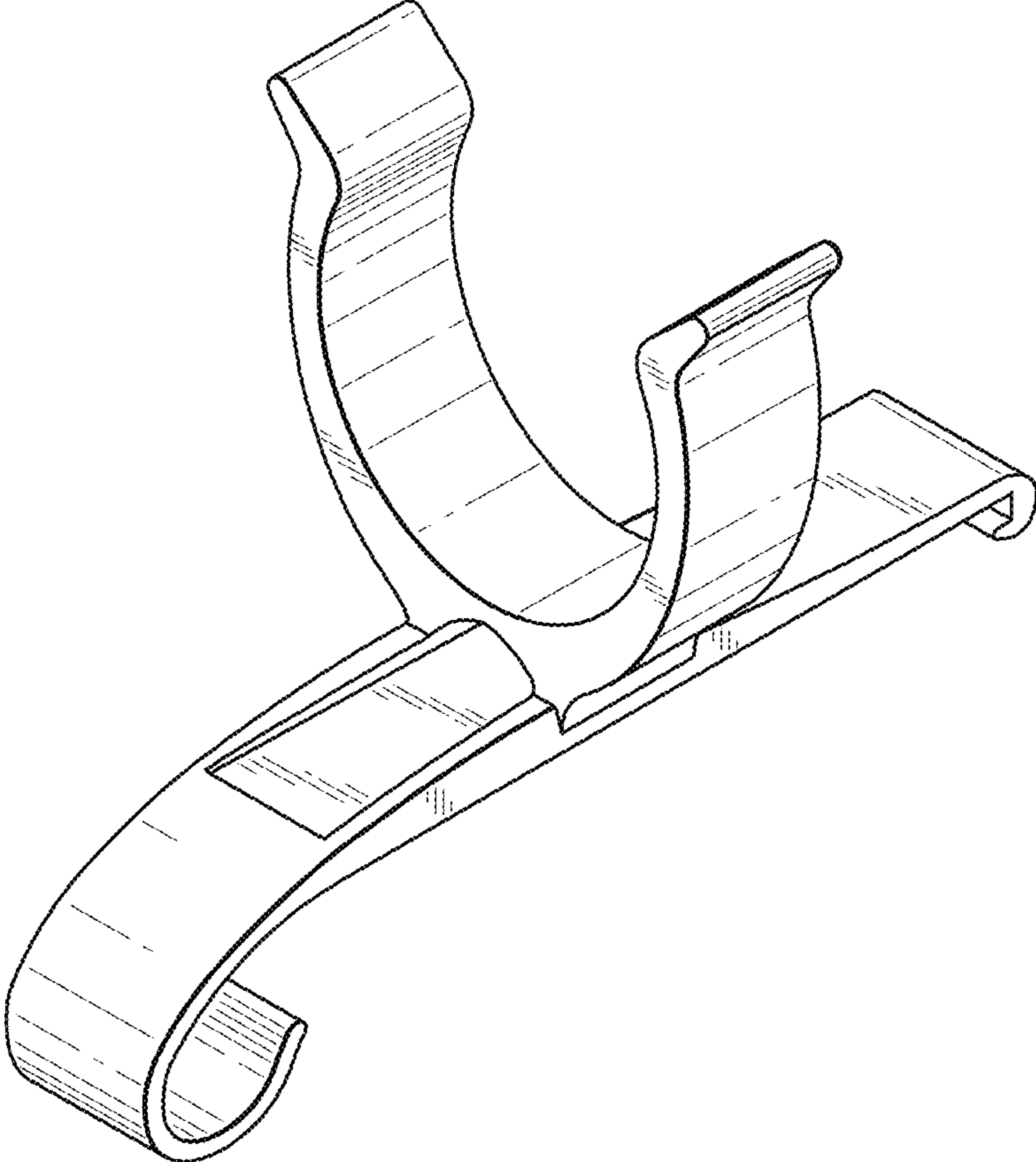


FIG. 2

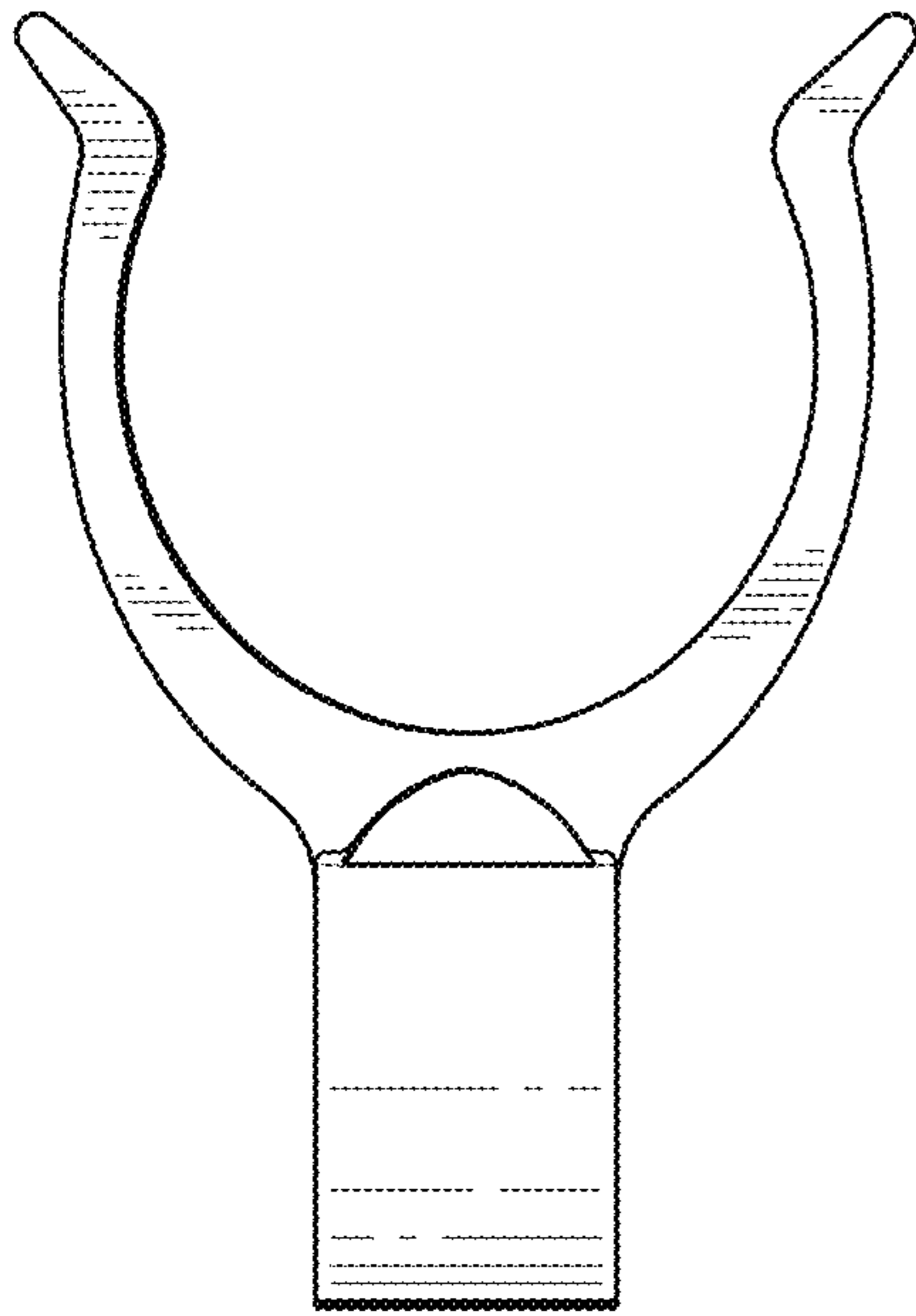


FIG. 3

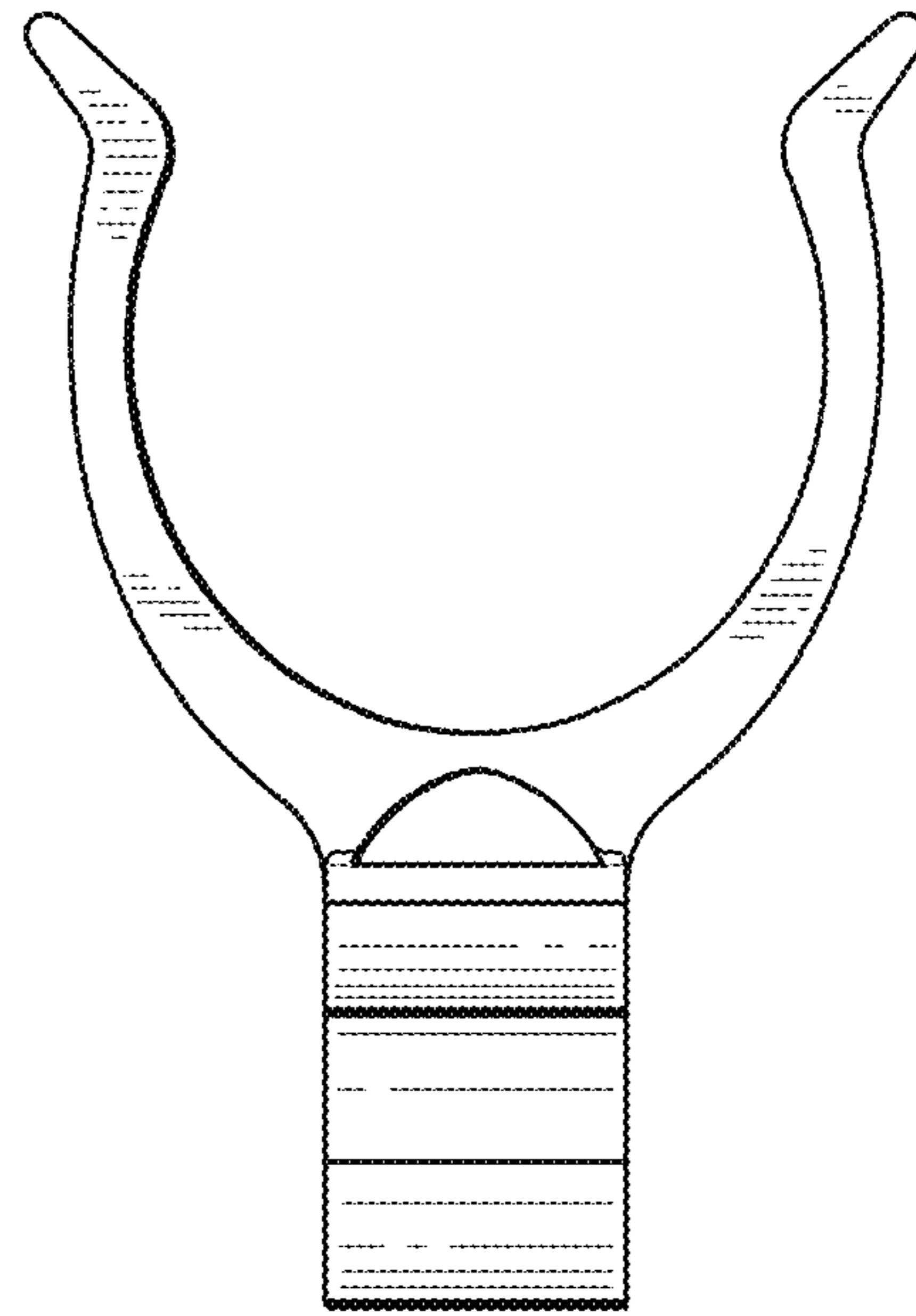


FIG. 4

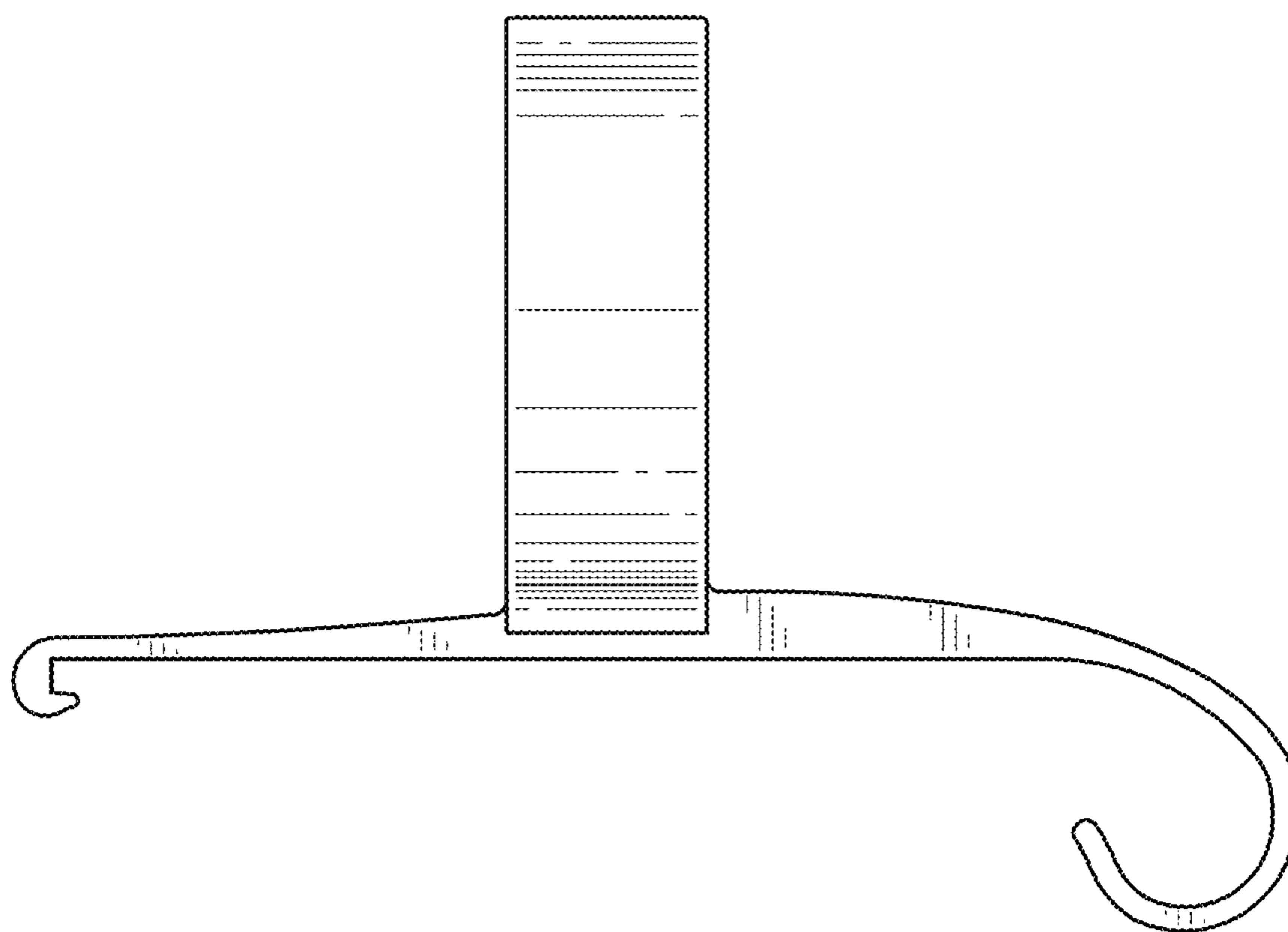


FIG. 5

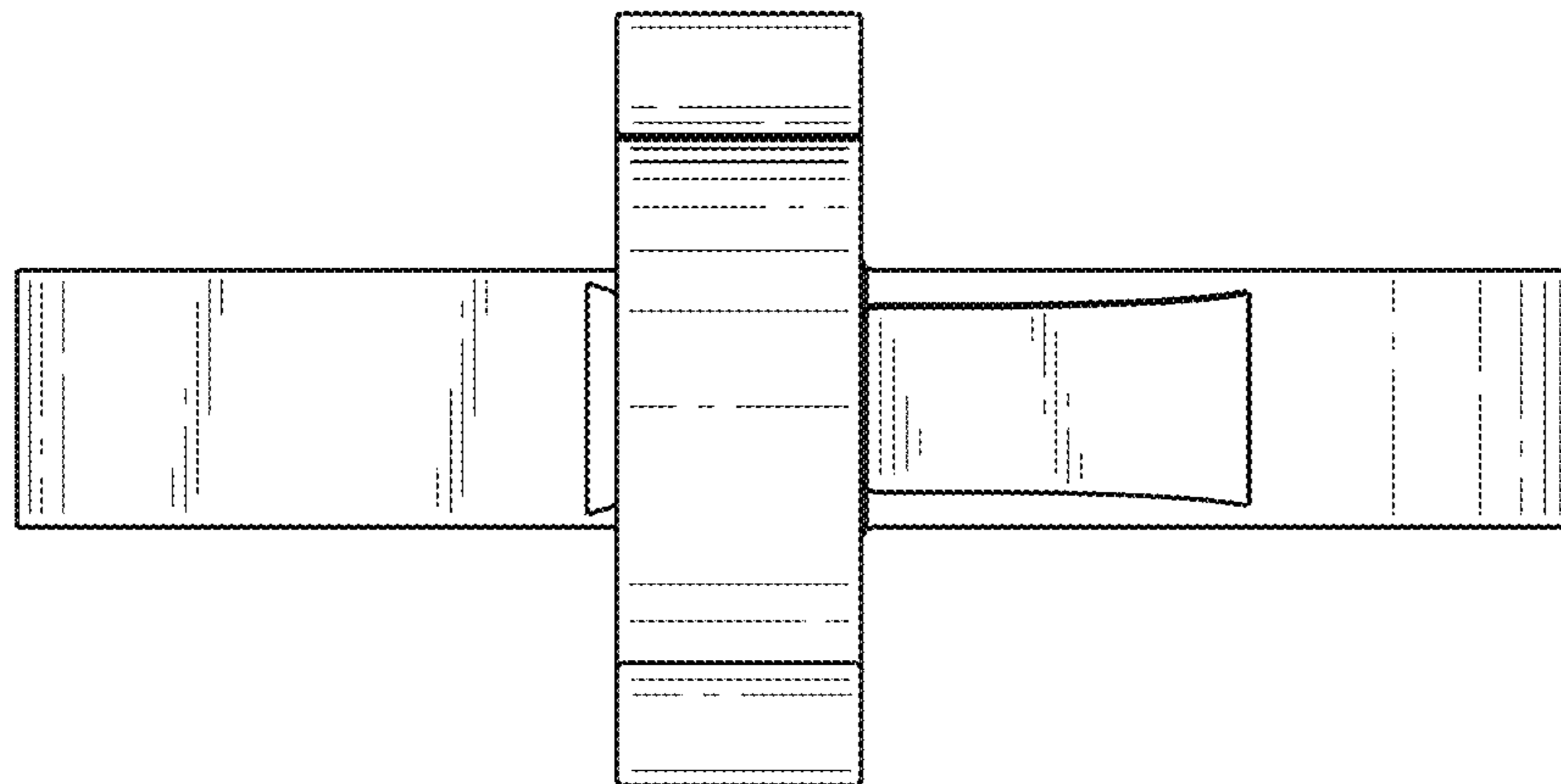


FIG. 6

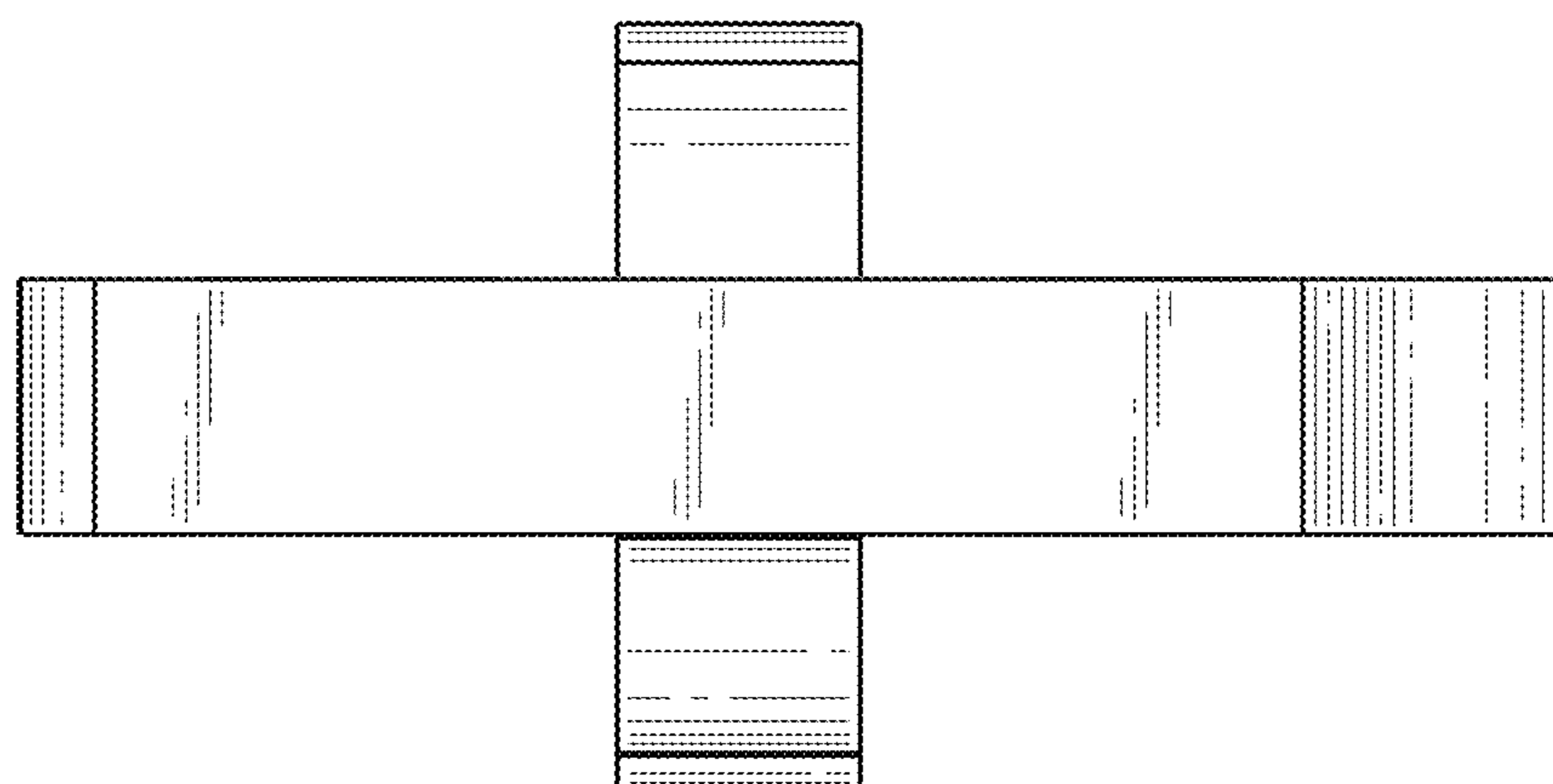


FIG. 7

