



US00D801159S

(12) **United States Design Patent**
Turbenson

(10) **Patent No.:** **US D801,159 S**

(45) **Date of Patent:** **** Oct. 31, 2017**

- (54) **POLE HOOK**
- (71) Applicant: **David Turbenson**, Medina, MN (US)
- (72) Inventor: **David Turbenson**, Medina, MN (US)
- (**) Term: **15 Years**
- (21) Appl. No.: **29/577,961**
- (22) Filed: **Sep. 16, 2016**
- (51) **LOC (10) Cl.** **08-05**
- (52) **U.S. Cl.**
USPC **D8/367**
- (58) **Field of Classification Search**
USPC D8/367, 354, 349, 394
CPC F16L 3/13; F16L 3/26; A47G 23/0225;
A47G 25/06; A47G 1/16; A47F 5/0846;
A47F 5/02; H02G 11/003; D06F 55/00;
E04H 17/10
See application file for complete search history.

(56) **References Cited**
U.S. PATENT DOCUMENTS

| | | | | |
|---------------|---------|-------------|-------|---------------------------|
| D31,995 S * | 12/1899 | Alker | | D8/370 |
| D34,560 S * | 5/1901 | De Long | | D19/65 |
| D46,621 S * | 11/1914 | Schade, Jr. | | D8/356 |
| 1,333,692 A * | 3/1920 | Wester | | A47G 25/0607 24/598.7 |
| 1,528,111 A * | 3/1925 | Jensch | | A47H 13/04 16/87.2 |
| 1,712,752 A * | 5/1929 | Dandliker | | E04H 17/10 256/57 |
| 1,720,746 A * | 7/1929 | Povlsen | | H02G 3/26 24/131 R |
| 2,636,704 A * | 4/1953 | Norberg | | D06F 39/12 24/131 R |
| 2,957,671 A * | 10/1960 | Messier | | A47F 5/0823 248/220.43 |
| 3,145,963 A * | 8/1964 | Best | | A47F 5/0823 248/220.31 |

| | | | | |
|---------------|---------|--------------|-------|---------------------------|
| 3,226,072 A * | 12/1965 | Johnson | | A47F 5/0823 248/220.43 |
| 3,310,271 A * | 3/1967 | King | | A47F 5/0815 248/220.43 |
| 4,029,281 A * | 6/1977 | Marshall | | A47F 5/0823 211/88.01 |
| 4,078,755 A * | 3/1978 | Erickson | | A47F 5/0823 248/220.31 |
| D260,234 S * | 8/1981 | Johnson, Jr. | | D8/370 |
| D280,596 S * | 9/1985 | Keeler | | D8/370 |
| 4,809,894 A * | 3/1989 | Viio | | A45F 5/02 224/248 |
| 4,979,712 A * | 12/1990 | Rios | | A47K 10/04 248/215 |
| D357,402 S * | 4/1995 | Roethler | | D8/367 |
| D358,083 S * | 5/1995 | Pate | | D8/367 |
| D378,167 S * | 2/1997 | Jones, Jr. | | D3/315 |
| D398,516 S * | 9/1998 | Brown | | D11/130 |
| 5,996,955 A * | 12/1999 | Chen | | F16B 12/32 248/249 |

(Continued)

Primary Examiner — Cynthia Underwood
(74) *Attorney, Agent, or Firm* — Gutwein Law; Greg N. Geiser

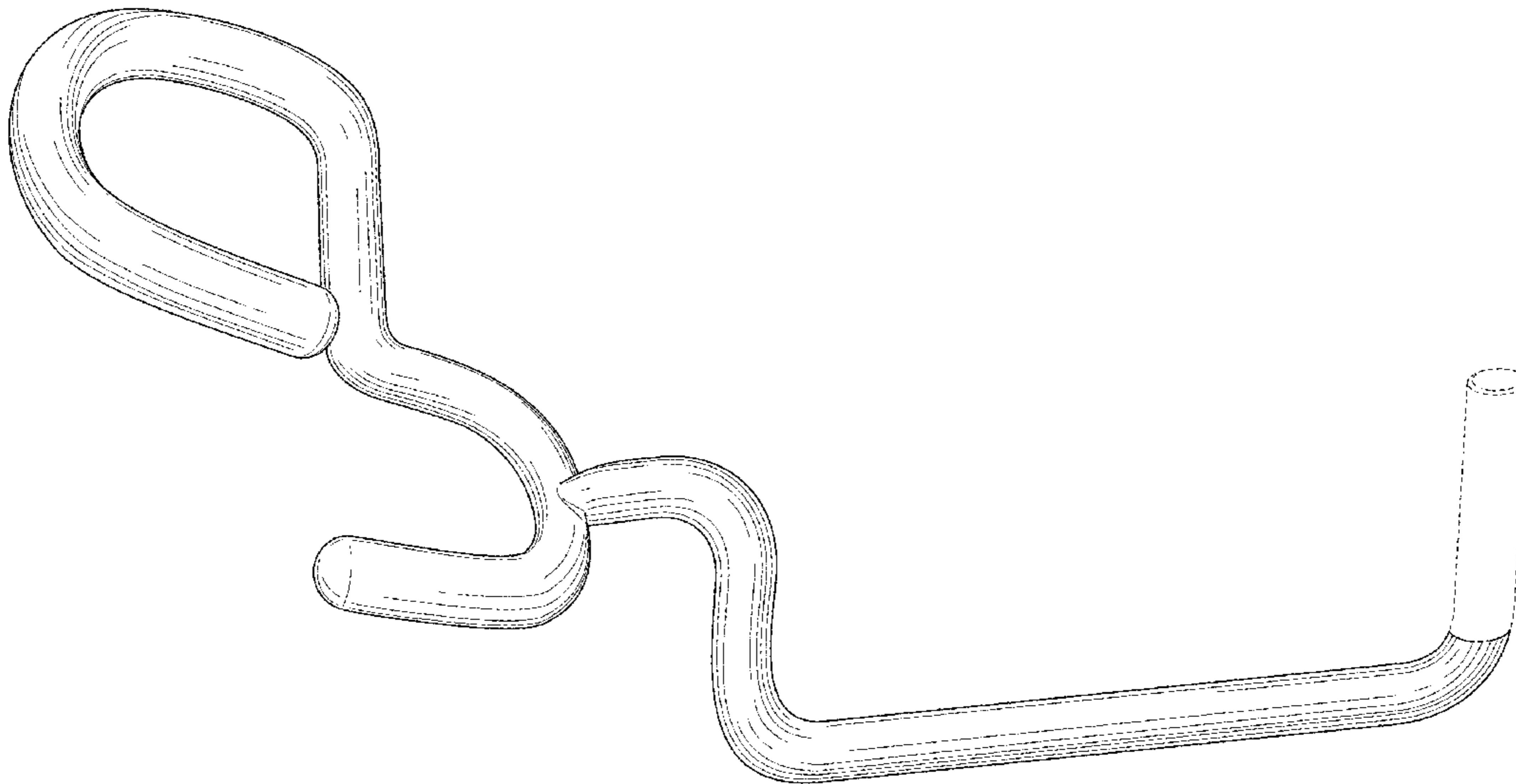
(57) **CLAIM**

The ornamental design for a pole hook, as shown and described.

DESCRIPTION

FIG. 1 is an isometric view a pole hook showing my new design;
FIG. 2 is left side view thereof;
FIG. 3 is a right side view thereof;
FIG. 4 is a front side view thereof;
FIG. 5 is a rear side view thereof;
FIG. 6 is a top side view thereof; and,
FIG. 7 is a bottom side view thereof.
The broken lines illustrate portions of the pole hook that form no part of the claimed design.

1 Claim, 6 Drawing Sheets



(56)

References Cited

U.S. PATENT DOCUMENTS

| | | | |
|-------------------|---------|--------------|------------------------|
| D499,956 S * | 12/2004 | Wall | D8/370 |
| 7,025,309 B2 * | 4/2006 | Goodwin | F16L 3/1233 248/62 |
| D552,980 S * | 10/2007 | Svedberg | D8/395 |
| D559,079 S * | 1/2008 | Berry | D8/343 |
| D566,538 S * | 4/2008 | Wrase | D8/395 |
| D585,266 S * | 1/2009 | Meyers | D8/370 |
| D599,646 S * | 9/2009 | Meyers | D8/370 |
| D600,102 S * | 9/2009 | Larkin | D8/367 |
| 7,698,786 B2 * | 4/2010 | Chang | H04M 1/0202 16/386 |
| D645,731 S * | 9/2011 | Williams | D8/370 |
| D648,208 S * | 11/2011 | Platt | D8/367 |
| D651,066 S * | 12/2011 | Johnson, III | D8/354 |
| D661,574 S * | 6/2012 | Platt | D8/367 |
| D668,529 S * | 10/2012 | Harris | D8/370 |
| D672,227 S * | 12/2012 | Hendricks | D8/394 |
| D673,031 S * | 12/2012 | Hendricks | D8/394 |
| 8,387,292 B1 * | 3/2013 | Rasmus | G09F 17/00 116/173 |
| D679,095 S * | 4/2013 | Williams | D3/328 |
| D687,291 S * | 8/2013 | Hendricks | D8/394 |
| D699,556 S * | 2/2014 | Hendricks | D8/354 |
| D700,830 S * | 3/2014 | Brockman | D8/367 |
| D702,540 S * | 4/2014 | Kacines | D8/367 |
| D706,124 S * | 6/2014 | Banasik | D8/370 |
| D706,617 S * | 6/2014 | Hendricks | D8/354 |
| D727,713 S * | 4/2015 | Greene | D30/119 |
| D734,134 S * | 7/2015 | Bauerle | D8/372 |
| D737,660 S * | 9/2015 | Santeler | D8/349 |
| D741,160 S * | 10/2015 | Hendricks | D8/394 |
| D742,727 S * | 11/2015 | Martin | D8/367 |
| D750,472 S * | 3/2016 | Kuka | D8/367 |
| D752,414 S * | 3/2016 | Brooks | D8/349 |
| D752,958 S * | 4/2016 | Giordano | D8/367 |
| D756,756 S * | 5/2016 | Kuehn | D8/367 |
| D762,107 S * | 7/2016 | French | D8/367 |
| D765,498 S * | 9/2016 | Dankert | D8/367 |
| D769,106 S * | 10/2016 | Tousignant | D8/367 |
| D782,599 S * | 3/2017 | Brooks | D22/113 |
| D782,600 S * | 3/2017 | Brooks | D22/113 |
| D783,387 S * | 4/2017 | Wilson | D8/356 |
| D784,119 S * | 4/2017 | Brooks | D8/367 |
| D787,303 S * | 5/2017 | Garvin | D8/367 |
| D788,876 S * | 6/2017 | Brooks | D22/113 |
| 2002/0000504 A1 * | 1/2002 | Bayne | F21V 21/088 248/302 |
| 2006/0016943 A1 * | 1/2006 | Thompson | A47J 33/00 248/175 |
| 2008/0272269 A1 * | 11/2008 | Moravsky | A45F 5/02 248/692 |

* cited by examiner

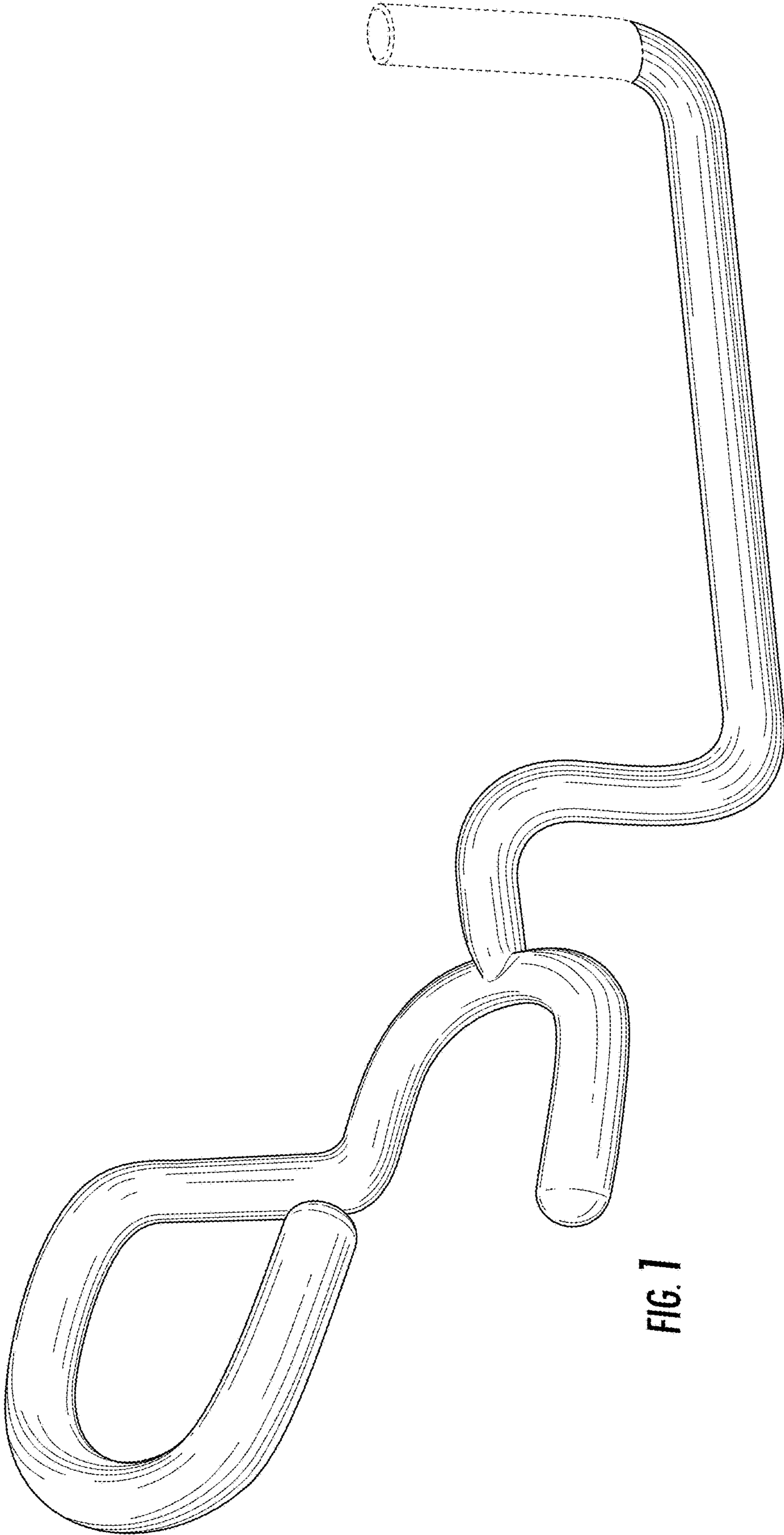


FIG. 1

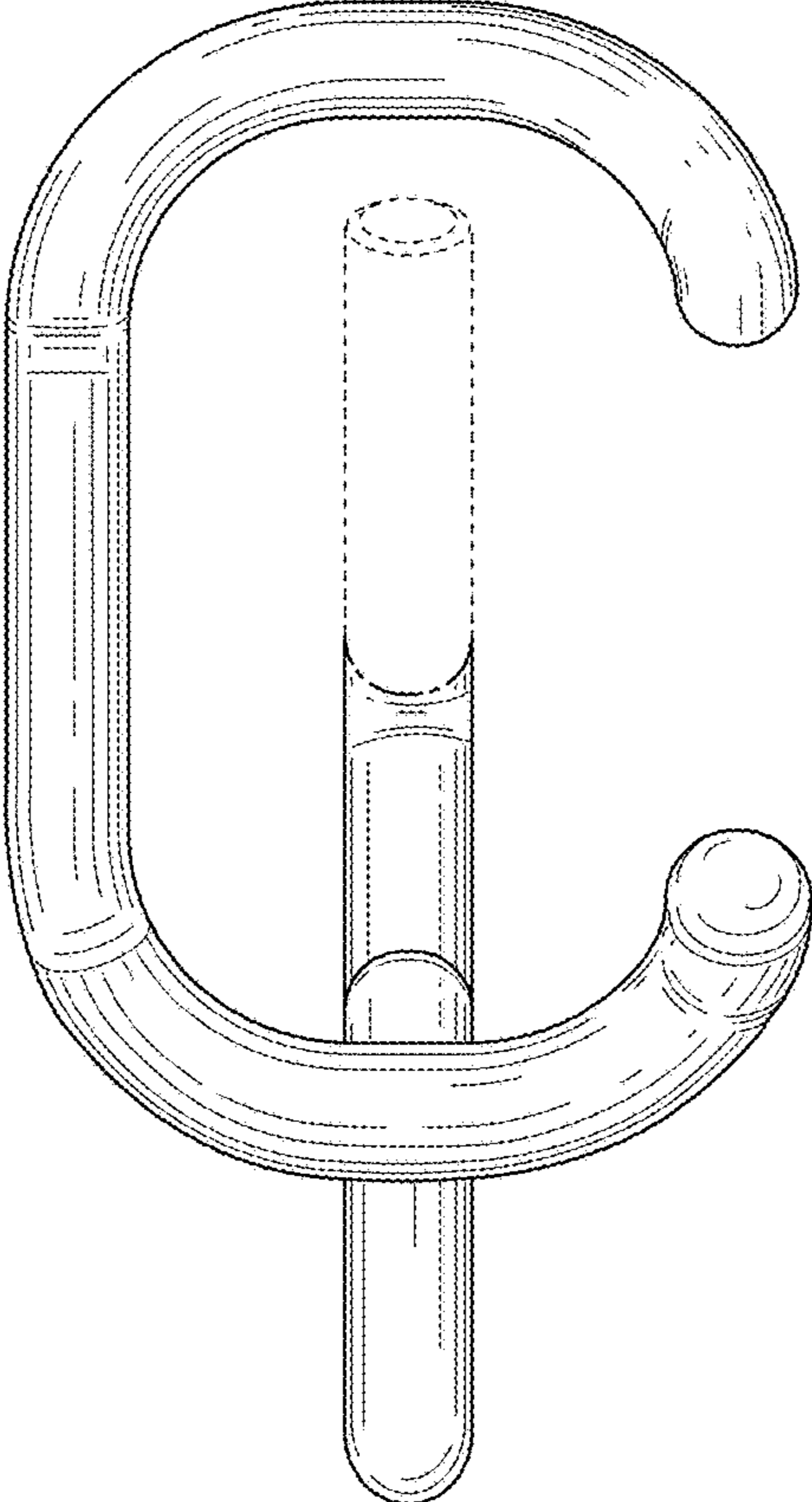


FIG. 2

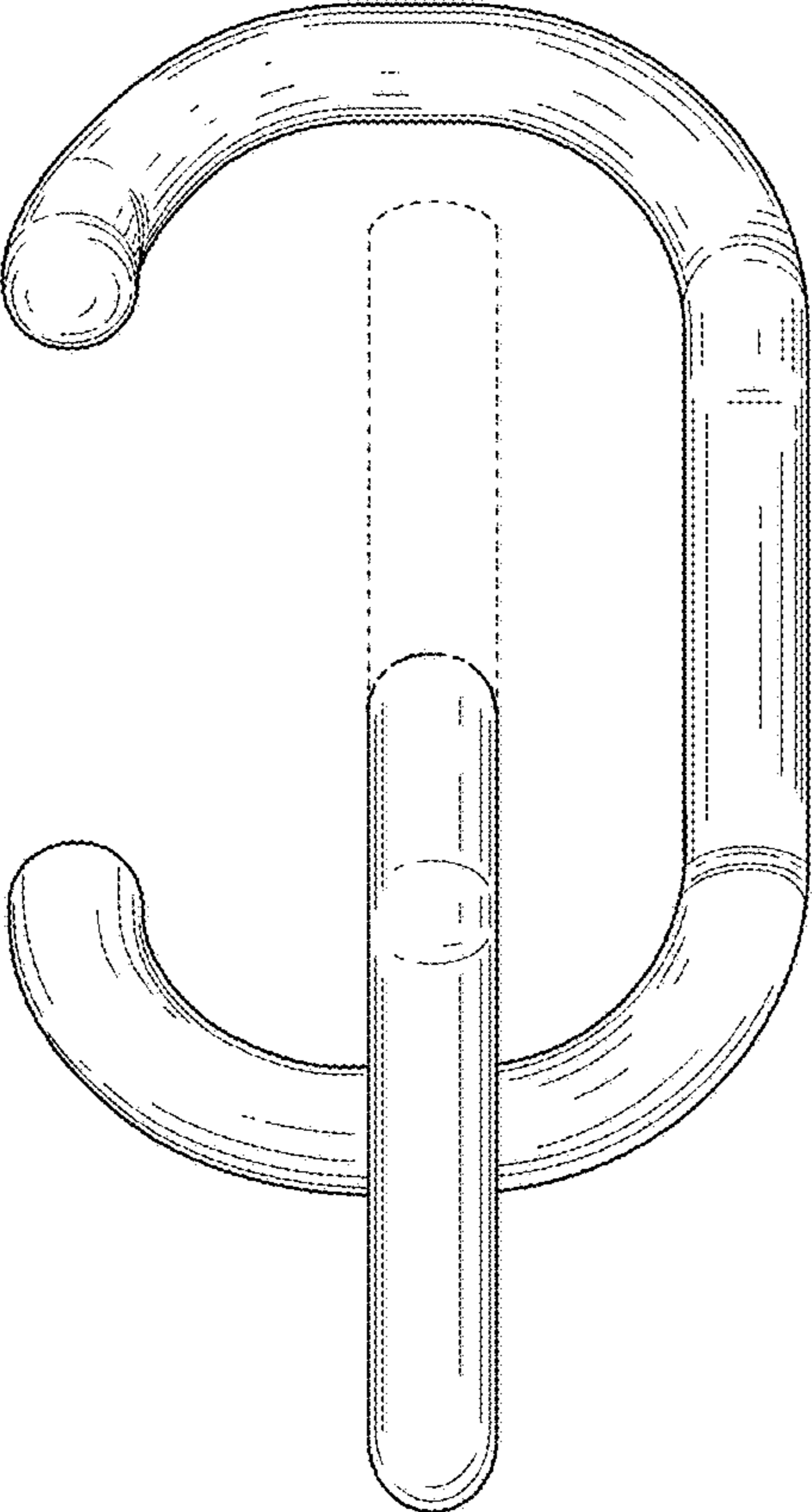


FIG. 3

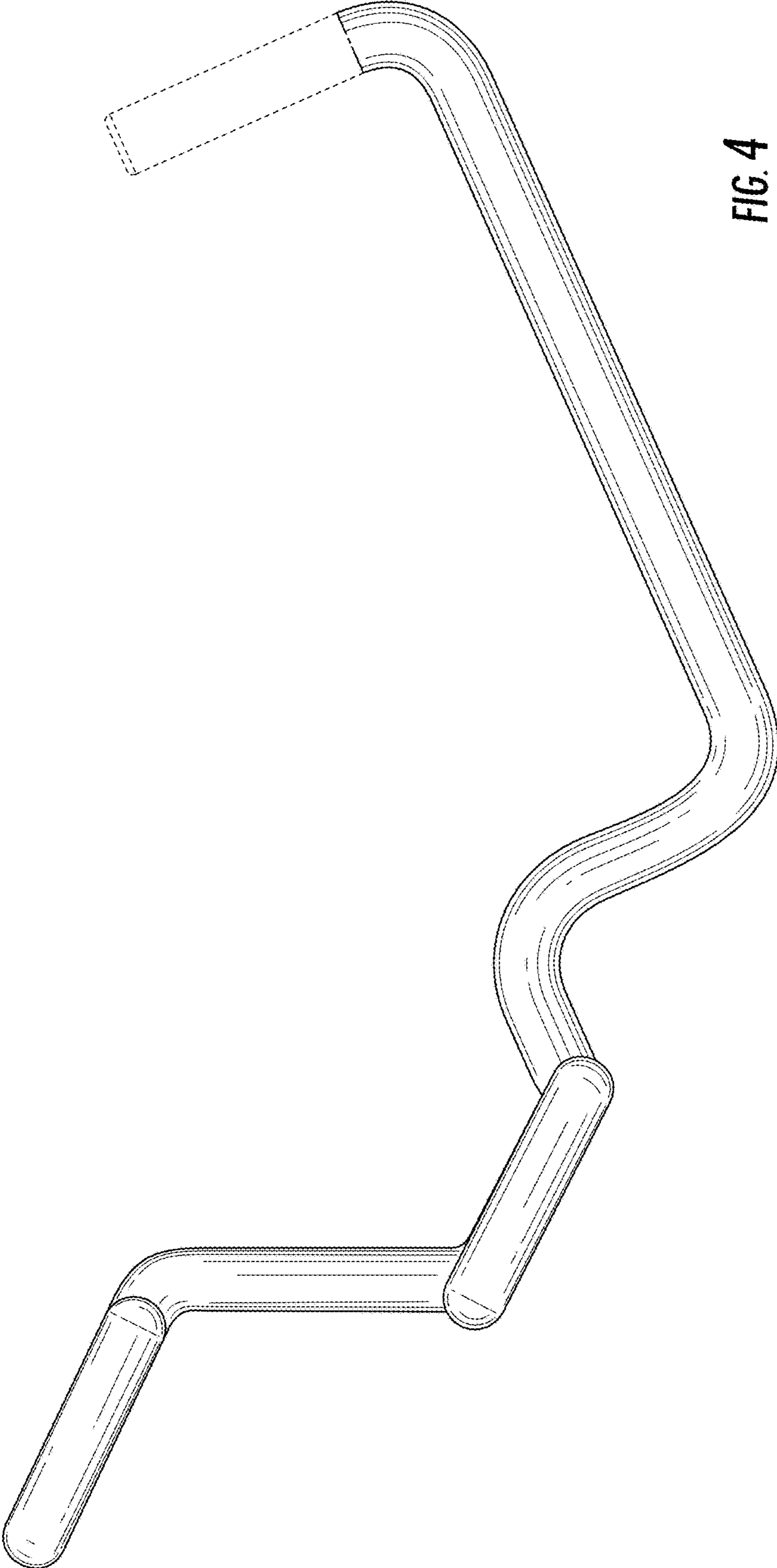


FIG. 4

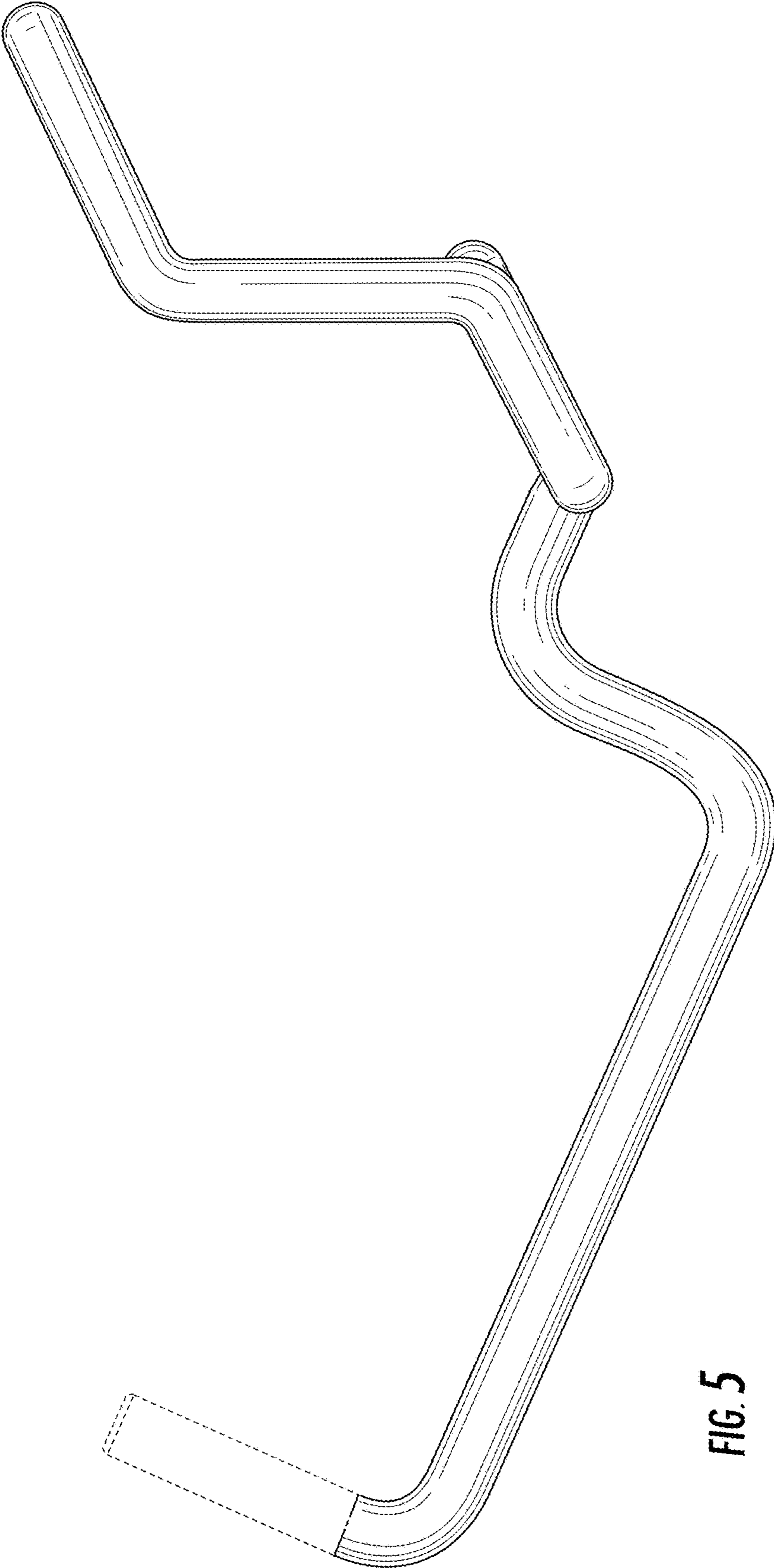


FIG. 5

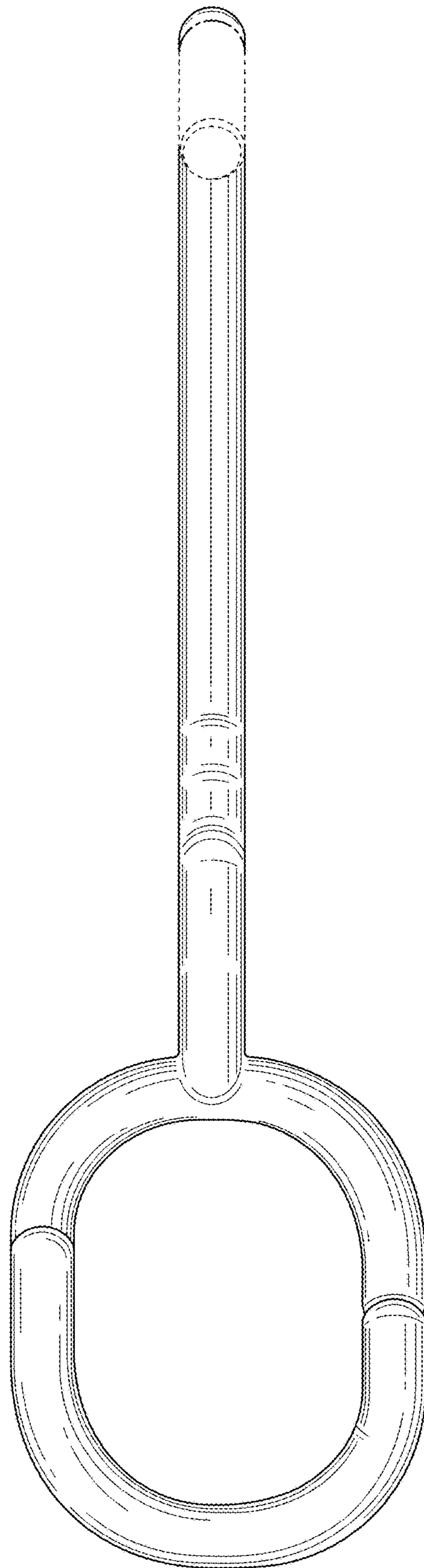


FIG. 6

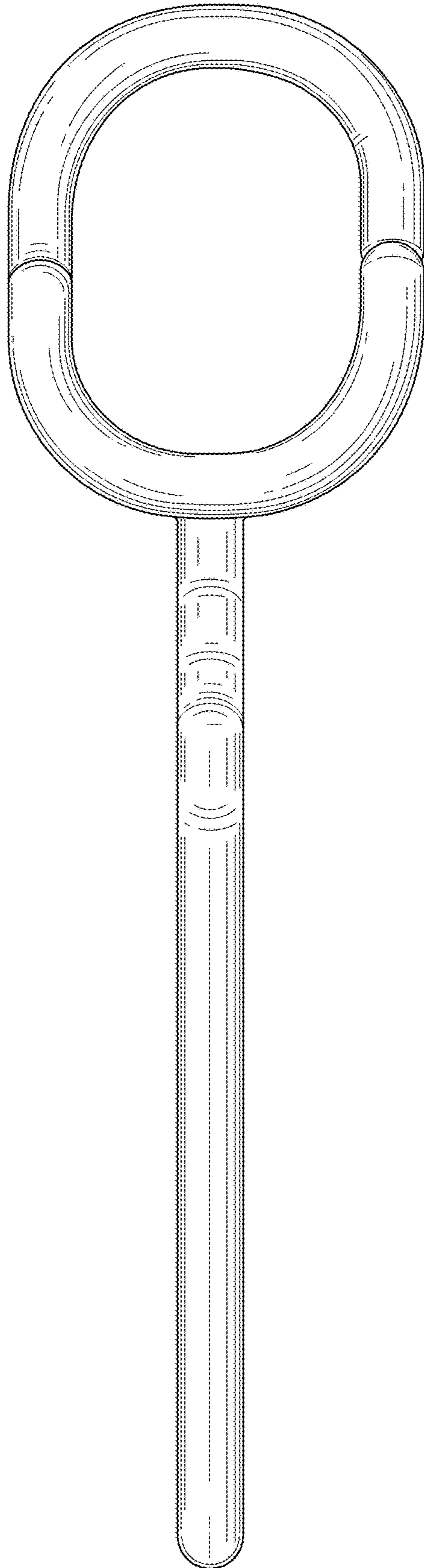


FIG. 7