



US00D801158S

(12) **United States Design Patent**
Turbenson

(10) **Patent No.:** **US D801,158 S**

(45) **Date of Patent:** **** Oct. 31, 2017**

- (54) **POLE HOOK**
- (71) Applicant: **David Turbenson**, Medina, MN (US)
- (72) Inventor: **David Turbenson**, Medina, MN (US)
- (**) Term: **15 Years**
- (21) Appl. No.: **29/577,958**
- (22) Filed: **Sep. 16, 2016**
- (51) **LOC (10) Cl.** **08-05**
- (52) **U.S. Cl.**
USPC **D8/367**
- (58) **Field of Classification Search**
USPC D8/367, 354, 349, 394
CPC F16L 3/13; F16L 3/26; A47G 23/0225;
A47G 25/06; A47G 1/16; A47F 5/0846;
A47F 5/02; H02G 11/003; D06F 55/00;
E04H 17/10
See application file for complete search history.

(56) **References Cited**

U.S. PATENT DOCUMENTS

- D31,995 S * 12/1899 Alker D8/370
- D34,560 S * 5/1901 De Long D19/65
- D46,621 S * 11/1914 Schade, Jr. D8/356
- 1,333,692 A * 3/1920 Wester A47G 25/0607
24/598.7
- 1,528,111 A * 3/1925 Jensch A47H 13/04
16/87.2
- 1,712,752 A * 5/1929 Dandliker E04H 17/10
256/57
- 1,720,746 A * 7/1929 Povlsen H02G 3/26
24/131 R
- 2,636,704 A * 4/1953 Norberg D06F 39/12
24/131 R
- 2,957,671 A * 10/1960 Messier A47F 5/0823
248/220.43
- 3,145,963 A * 8/1964 Best A47F 5/0823
248/220.31

- 3,226,072 A * 12/1965 Johnson A47F 5/0823
248/220.43
- 3,310,271 A * 3/1967 King A47F 5/0815
248/220.43
- 4,029,281 A * 6/1977 Marshall A47F 5/0823
211/88.01
- 4,078,755 A * 3/1978 Erickson A47F 5/0823
248/220.31
- D260,234 S * 8/1981 Johnson, Jr. D8/370
- D280,596 S * 9/1985 Keeler D8/370
- 4,809,894 A * 3/1989 Viio A45F 5/02
224/248
- 4,979,712 A * 12/1990 Rios A47K 10/04
248/215
- D357,402 S * 4/1995 Roethler D8/367
- D358,083 S * 5/1995 Pate D8/367
- D378,167 S * 2/1997 Jones, Jr. D3/315
- D398,516 S * 9/1998 Brown D11/130
- 5,996,955 A * 12/1999 Chen F16B 12/32
248/249

(Continued)

Primary Examiner — Cynthia Underwood
(74) *Attorney, Agent, or Firm* — Gutwein Law; Greg N. Geiser

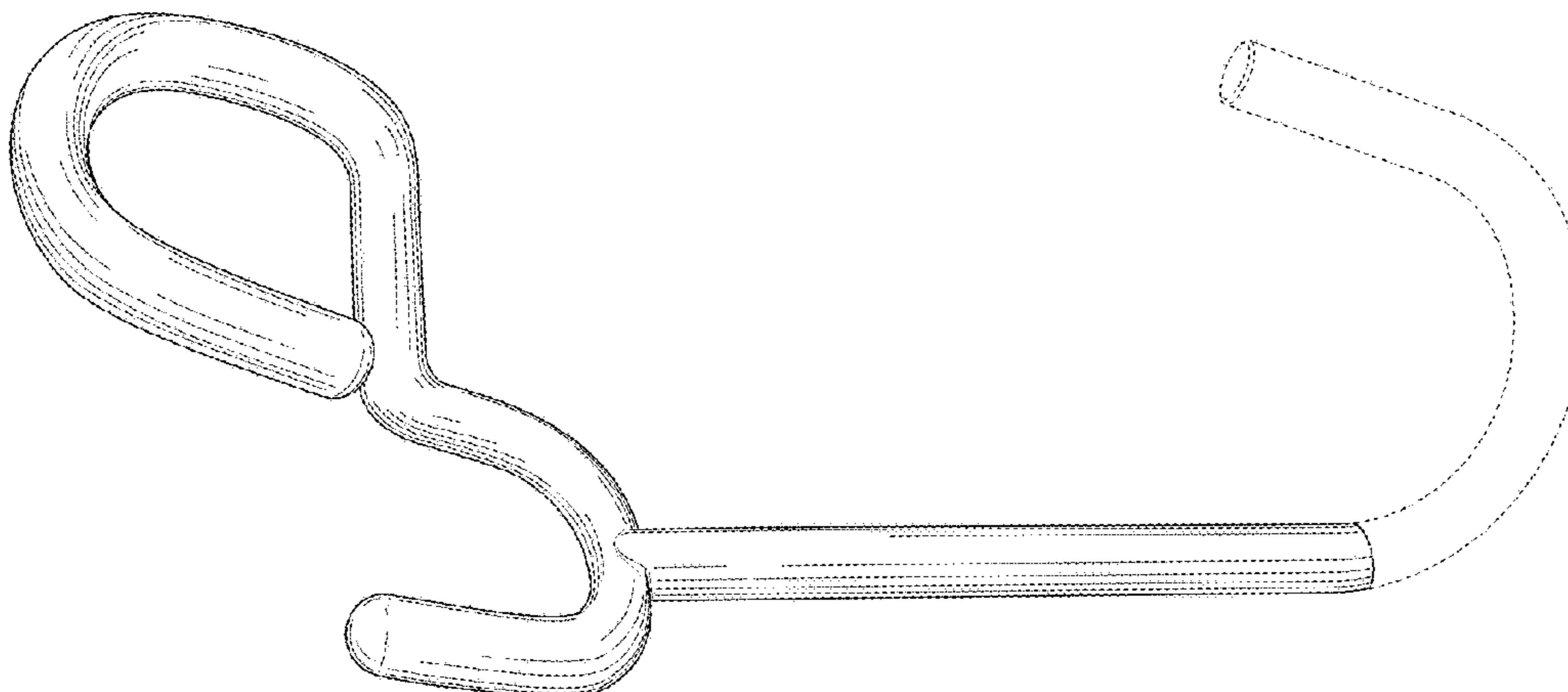
(57) **CLAIM**

The ornamental design for a pole hook, as shown and described.

DESCRIPTION

FIG. 1 is an isometric view a pole hook showing my new design;
FIG. 2 is left side view thereof;
FIG. 3 is a right side view thereof;
FIG. 4 is a front side view thereof;
FIG. 5 is a rear side view thereof;
FIG. 6 is a top side view thereof; and,
FIG. 7 is a bottom side view thereof.
The broken lines illustrate portions of the pole hook that form no part of the claimed design.

1 Claim, 6 Drawing Sheets



(56)

References Cited

U.S. PATENT DOCUMENTS

D499,956 S *	12/2004	Wall	D8/370	D702,540 S *	4/2014	Kacines	D8/367
7,025,309 B2 *	4/2006	Goodwin	F16L 3/1233 248/62	D706,124 S *	6/2014	Banasik	D8/370
D552,980 S *	10/2007	Svedberg	D8/395	D706,617 S *	6/2014	Hendricks	D8/354
D559,079 S *	1/2008	Berry	D8/343	D727,713 S *	4/2015	Greene	D30/119
D566,538 S *	4/2008	Wrase	D8/395	D734,134 S *	7/2015	Bauerle	D8/372
D585,266 S *	1/2009	Meyers	D8/370	D737,660 S *	9/2015	Santeler	D8/349
D599,646 S *	9/2009	Meyers	D8/370	D741,160 S *	10/2015	Hendricks	D8/394
D600,102 S *	9/2009	Larkin	D8/367	D742,727 S *	11/2015	Martin	D8/367
7,698,786 B2 *	4/2010	Chang	H04M 1/0202 16/386	D750,472 S *	3/2016	Kuka	D8/367
D645,731 S *	9/2011	Williams	D8/370	D752,414 S *	3/2016	Brooks	D8/349
D648,208 S *	11/2011	Platt	D8/367	D752,958 S *	4/2016	Giordano	D8/367
D651,066 S *	12/2011	Johnson, III	D8/354	D756,756 S *	5/2016	Kuehn	D8/367
D661,574 S *	6/2012	Platt	D8/367	D762,107 S *	7/2016	French	D8/367
D668,529 S *	10/2012	Harris	D8/370	D765,498 S *	9/2016	Dankert	D8/367
D672,227 S *	12/2012	Hendricks	D8/394	D769,106 S *	10/2016	Tousignant	D8/367
D673,031 S *	12/2012	Hendricks	D8/394	D782,599 S *	3/2017	Brooks	D22/113
8,387,292 B1 *	3/2013	Rasmus	G09F 17/00 116/173	D782,600 S *	3/2017	Brooks	D22/113
D679,095 S *	4/2013	Williams	D3/328	D783,387 S *	4/2017	Wilson	D8/356
D687,291 S *	8/2013	Hendricks	D8/394	D784,119 S *	4/2017	Brooks	D8/367
D699,556 S *	2/2014	Hendricks	D8/354	D787,303 S *	5/2017	Garvin	D8/367
D700,830 S *	3/2014	Brockman	D8/367	D788,876 S *	6/2017	Brooks	D22/113
				2002/0000504 A1 *	1/2002	Bayne	F21V 21/088 248/302
				2006/0016943 A1 *	1/2006	Thompson	A47J 33/00 248/175
				2008/0272269 A1 *	11/2008	Moravsky	A45F 5/02 248/692

* cited by examiner

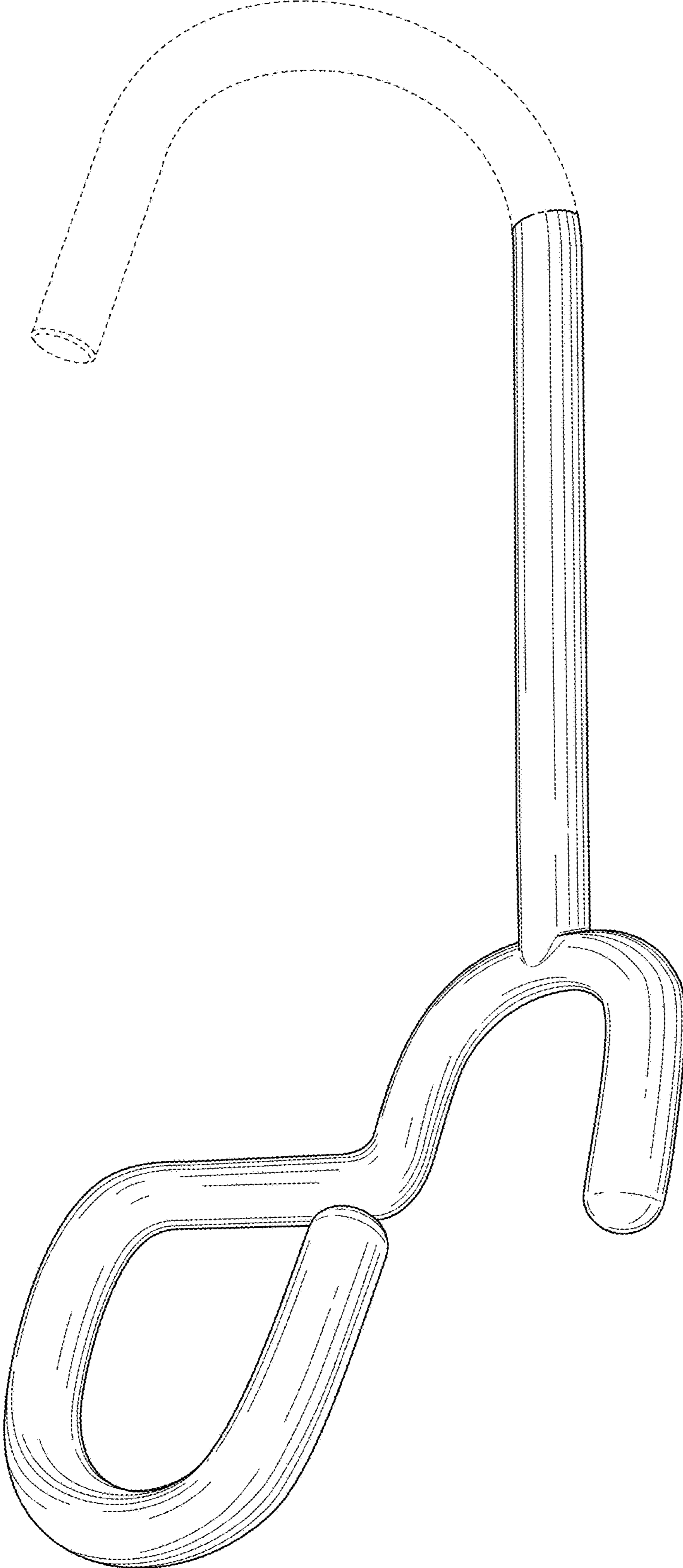


FIG. 1

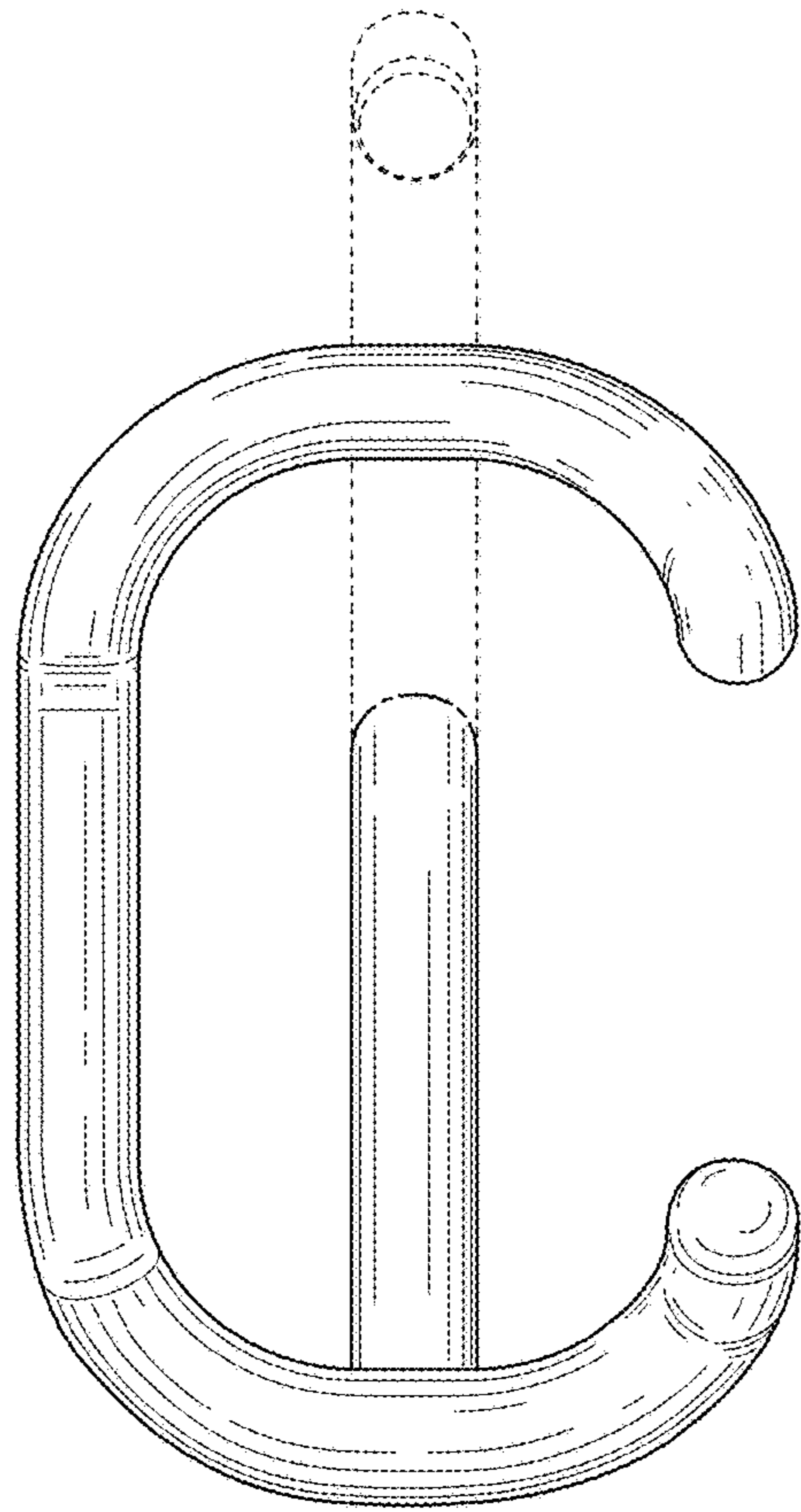


FIG. 2

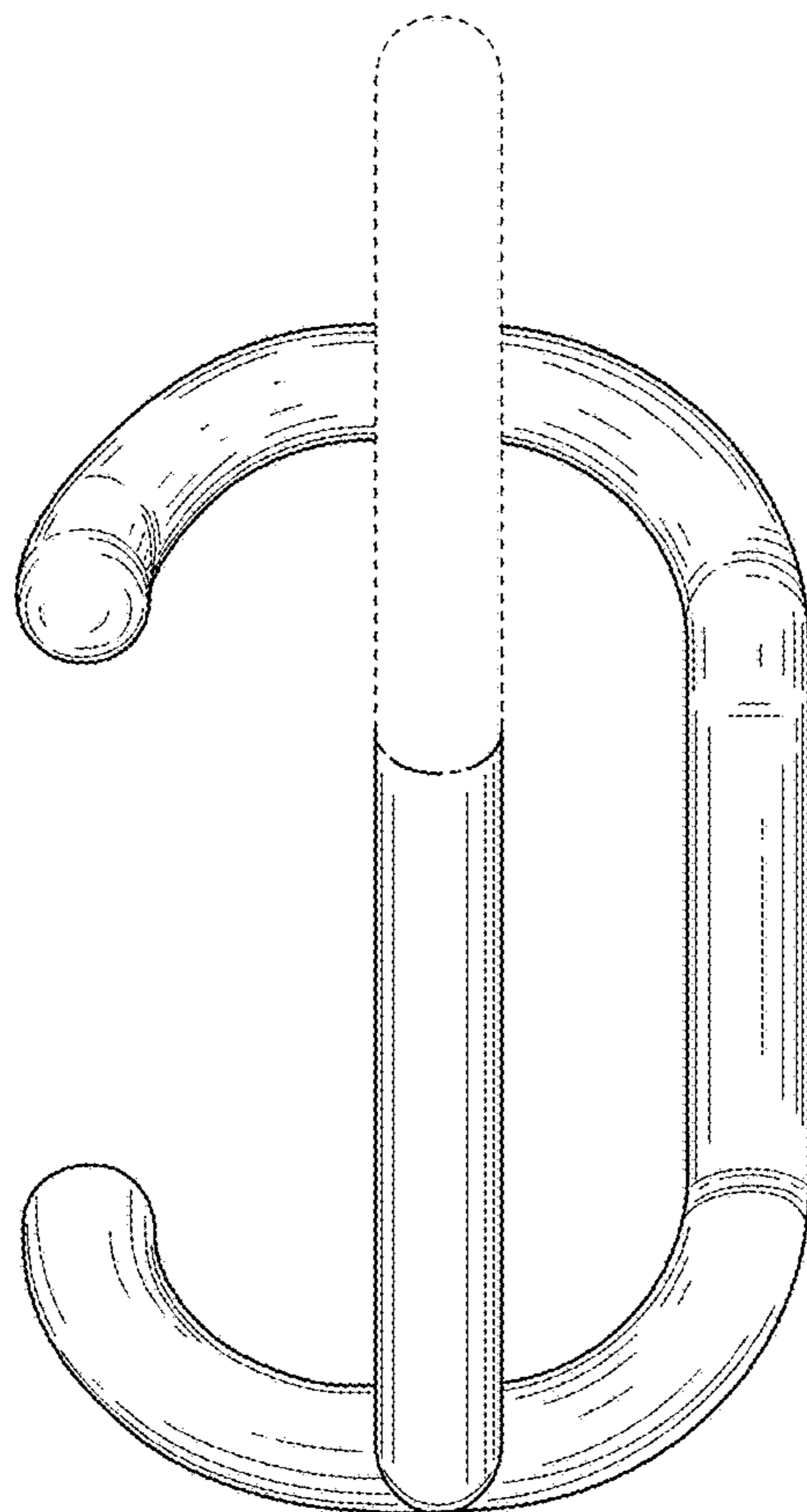


FIG. 3

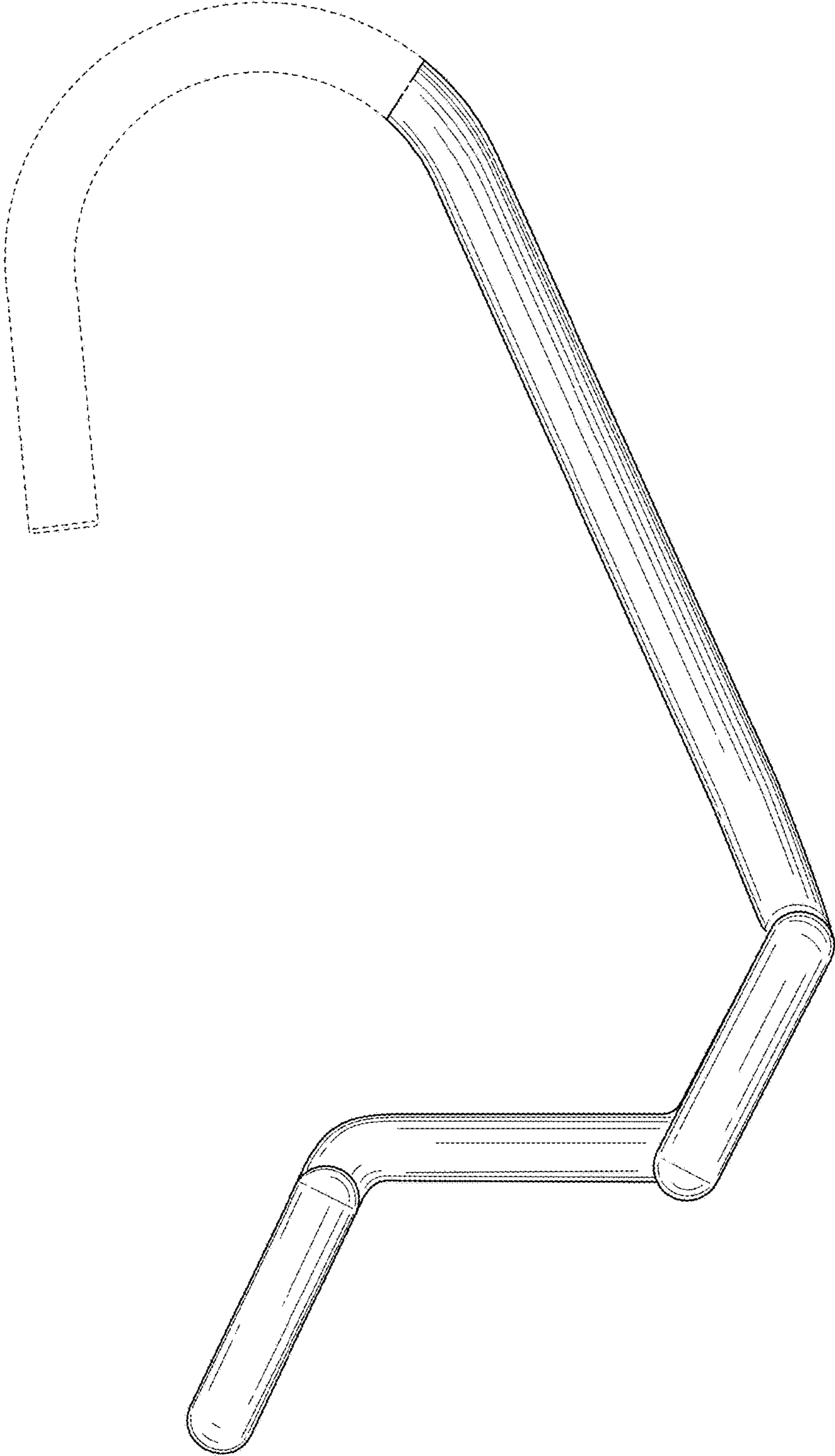


FIG. 4

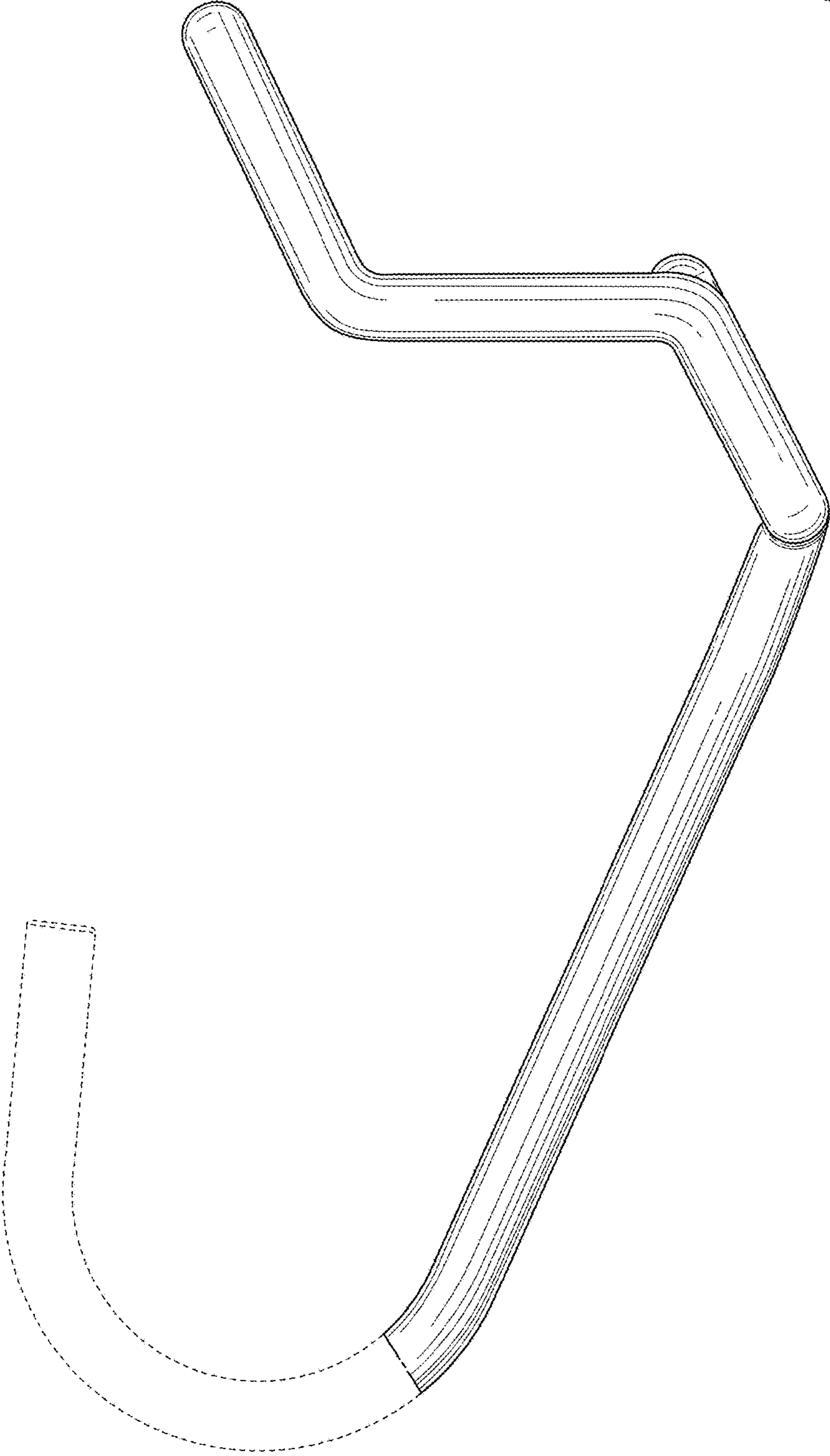


FIG. 5

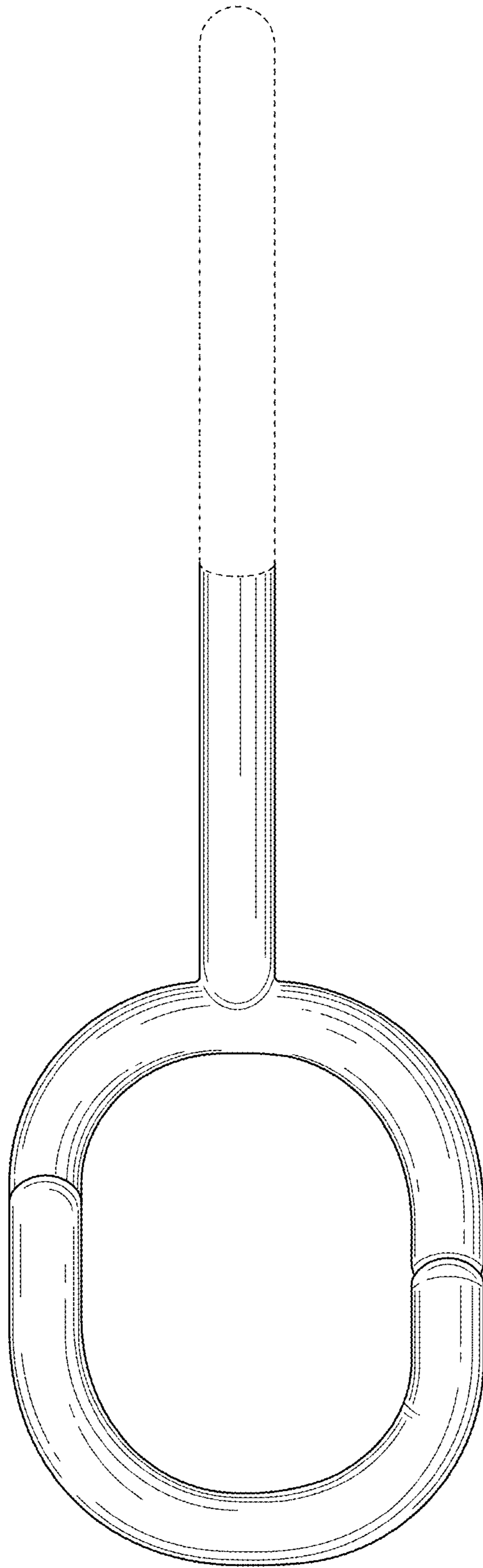


FIG. 6

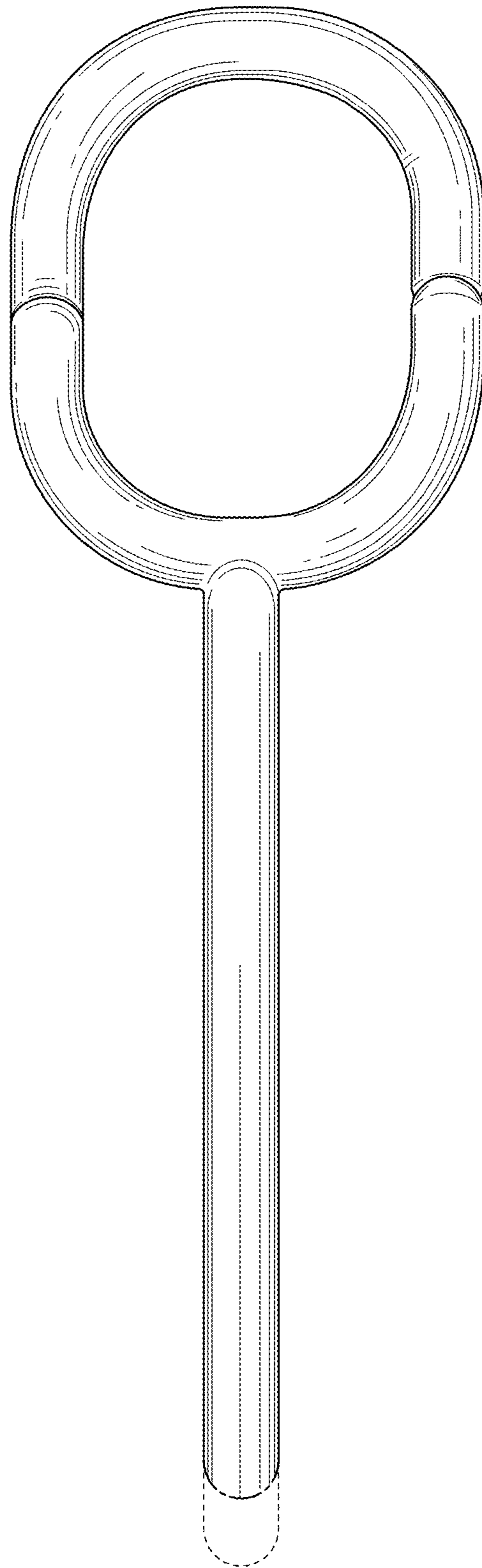


FIG. 7