



US00D801154S

(12) **United States Design Patent** (10) **Patent No.:** **US D801,154 S**
Thuma et al. (45) **Date of Patent:** **** Oct. 31, 2017**

- (54) **HOSE REEL ENCLOSURE**
- (71) Applicant: **Suncast Technologies, LLC**, Palm Beach Gardens, FL (US)
- (72) Inventors: **Michael Thuma**, La Grange, IL (US); **Torrence Anderson**, Overland Park, KS (US); **Brian Donnelly**, Naperville, IL (US); **Michael R. Vogler**, Oswego, IL (US)
- (73) Assignee: **Suncast Technologies, LLC**, Palm Beach Gardens, FL (US)
- (**) Term: **15 Years**
- (21) Appl. No.: **29/566,664**
- (22) Filed: **Jun. 1, 2016**
- (51) **LOC (10) Cl.** **08-05**
- (52) **U.S. Cl.**
USPC **D8/359**
- (58) **Field of Classification Search**
USPC D8/74, 347, 373, 375, 380, 381, 396, D8/356, 359, 358, 360.1; D6/306, 309, D6/677
CPC . B65H 75/40; B65H 75/4407; B65H 75/4471
See application file for complete search history.

(56) **References Cited**

U.S. PATENT DOCUMENTS

- D582,756 S * 12/2008 Anderson D8/359
D582,757 S * 12/2008 Anderson D8/359
D582,759 S * 12/2008 Anderson D8/359
D658,374 S * 5/2012 Anderson D3/273
D702,537 S * 4/2014 Hyp D8/359

- D715,048 S * 10/2014 Donnelly D3/273
D717,542 S * 11/2014 Vogler D3/273
D724,320 S * 3/2015 Russell D3/273
D737,669 S * 9/2015 Anderson D8/359
D761,090 S * 7/2016 Anderson D8/359
D761,091 S * 7/2016 Anderson D8/359
2012/0199600 A1* 8/2012 Anderson A47C 7/62
220/810
2012/0227349 A1* 9/2012 Phillips E04H 1/1205
52/588.1

* cited by examiner

Primary Examiner — Robert M Spear
Assistant Examiner — Eliza Bennett-Hattan
(74) *Attorney, Agent, or Firm* — McHale & Slavin, P.A.

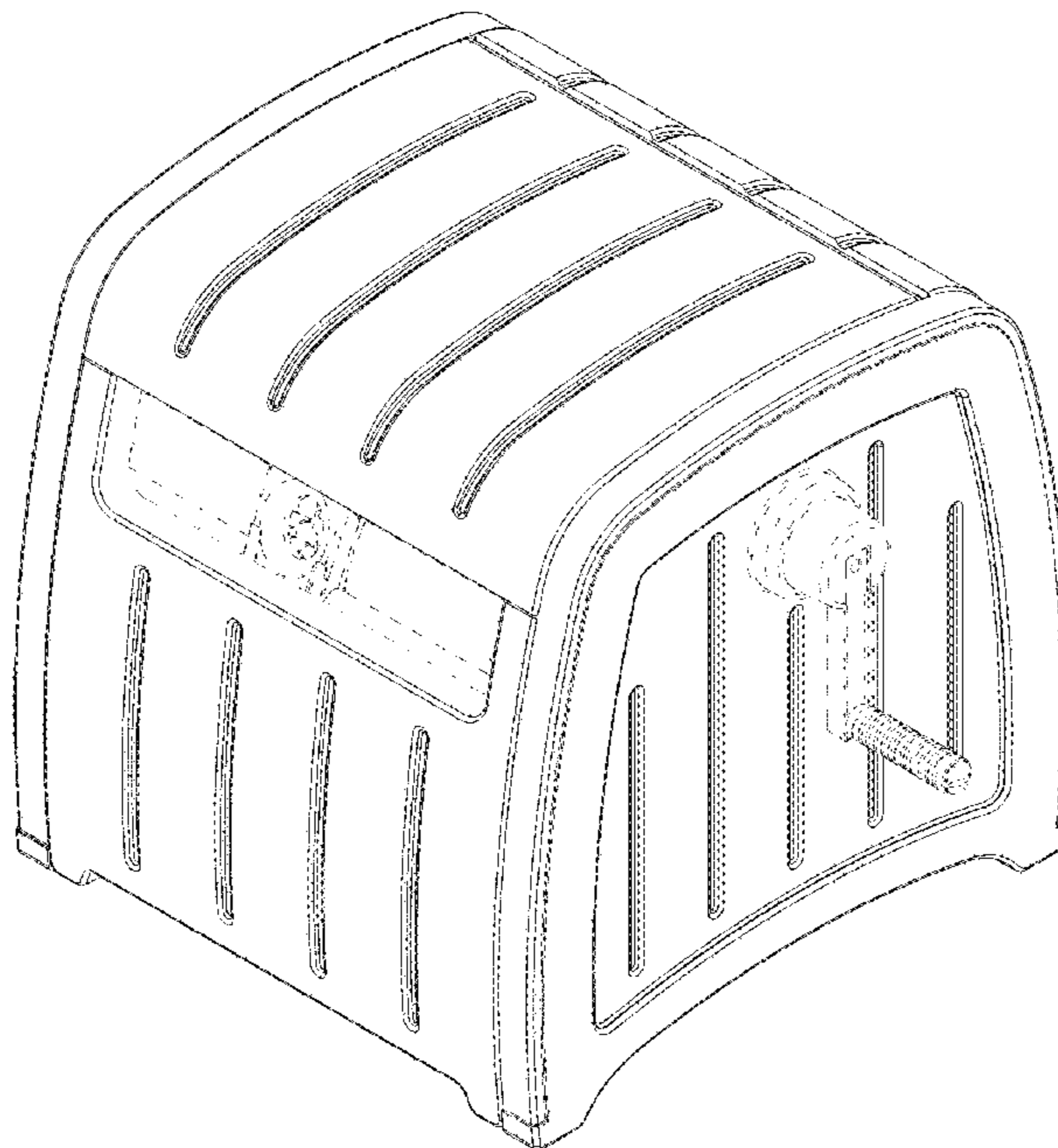
(57) **CLAIM**

The ornamental design for a hose reel enclosure, as shown and described.

DESCRIPTION

FIG. 1 is a top right isometric view of the hose reel enclosure of the present invention;
FIG. 2 is a right side view thereof;
FIG. 3 is a left side view thereof;
FIG. 4 is a front view thereof;
FIG. 5 is a rear view thereof;
FIG. 6 is a top view thereof;
FIG. 7 is a top right isometric view thereof; and,
FIG. 8 is a back right view thereof.
The portions of the hose reel enclosure illustrated in broken lines form no part of the claimed subject matter.

1 Claim, 8 Drawing Sheets



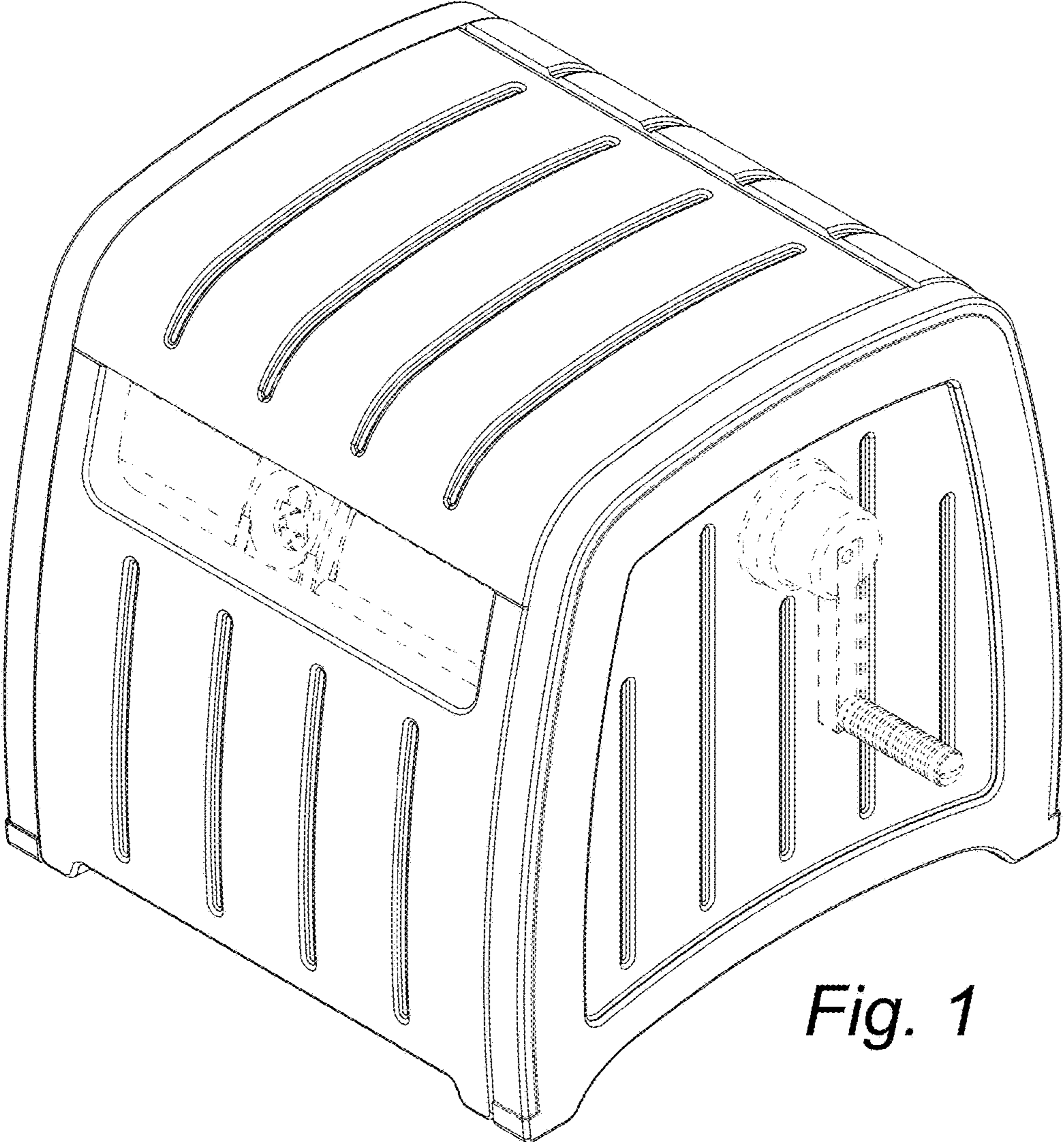


Fig. 1

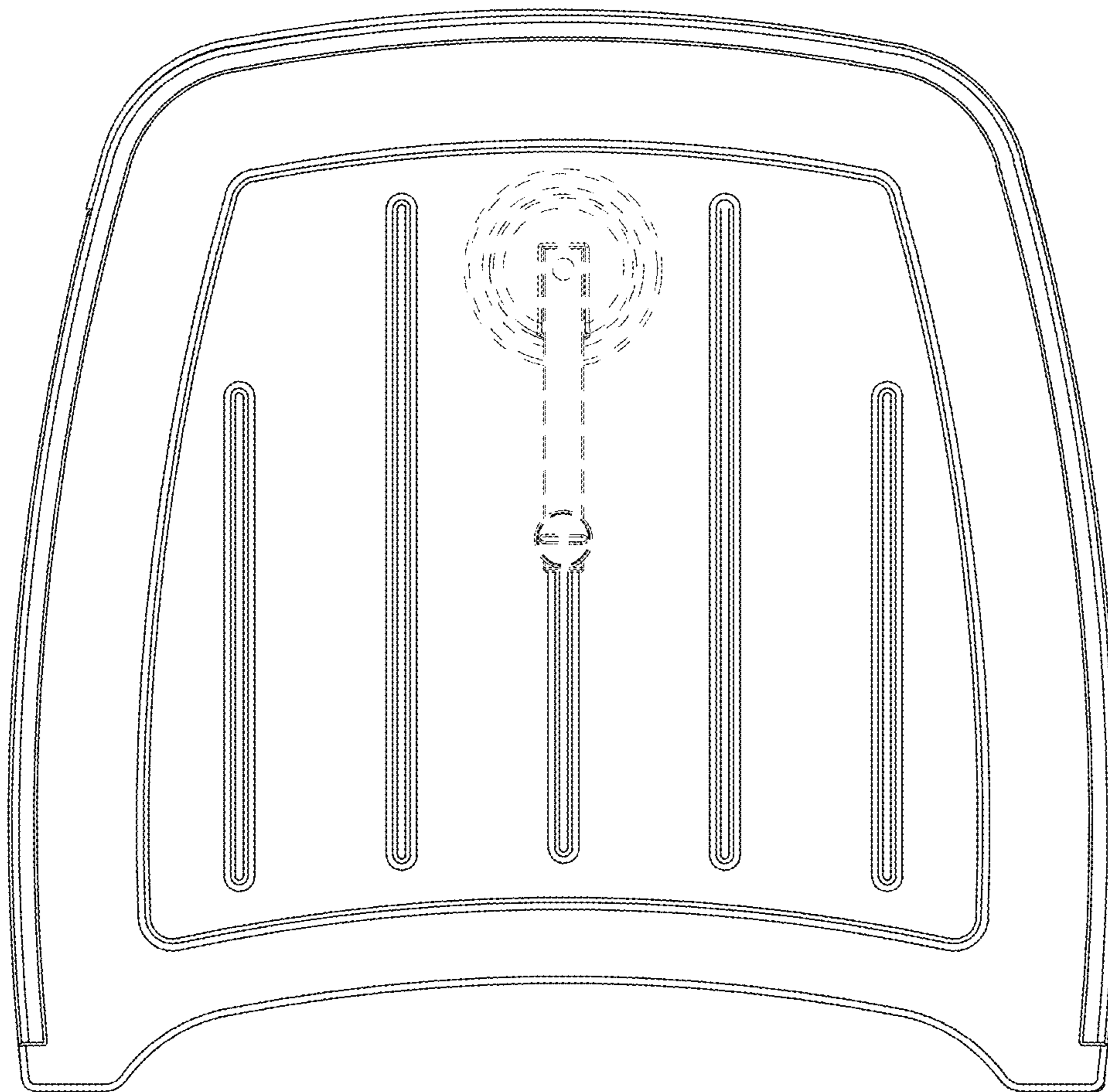


Fig. 2

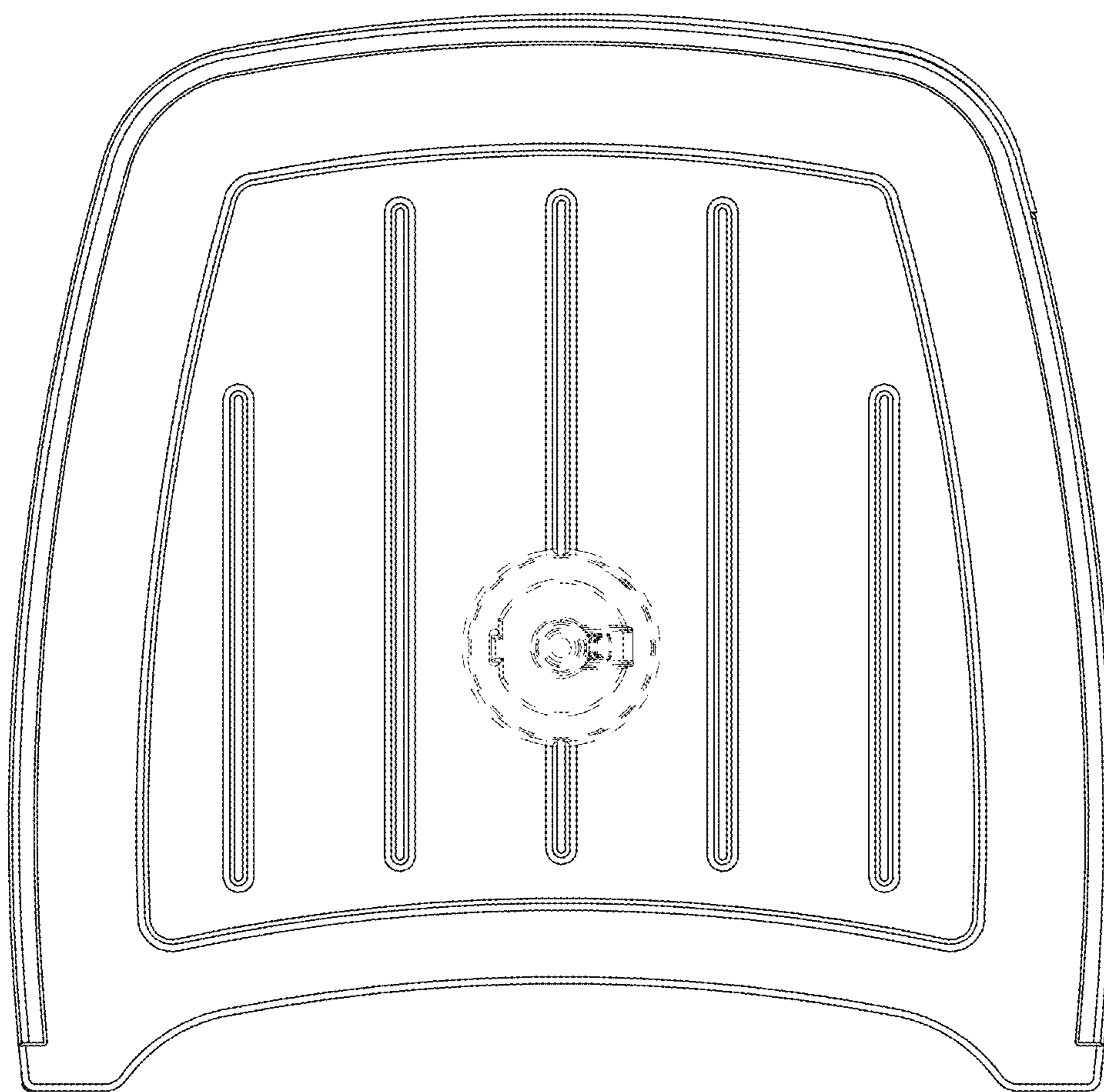


Fig. 3

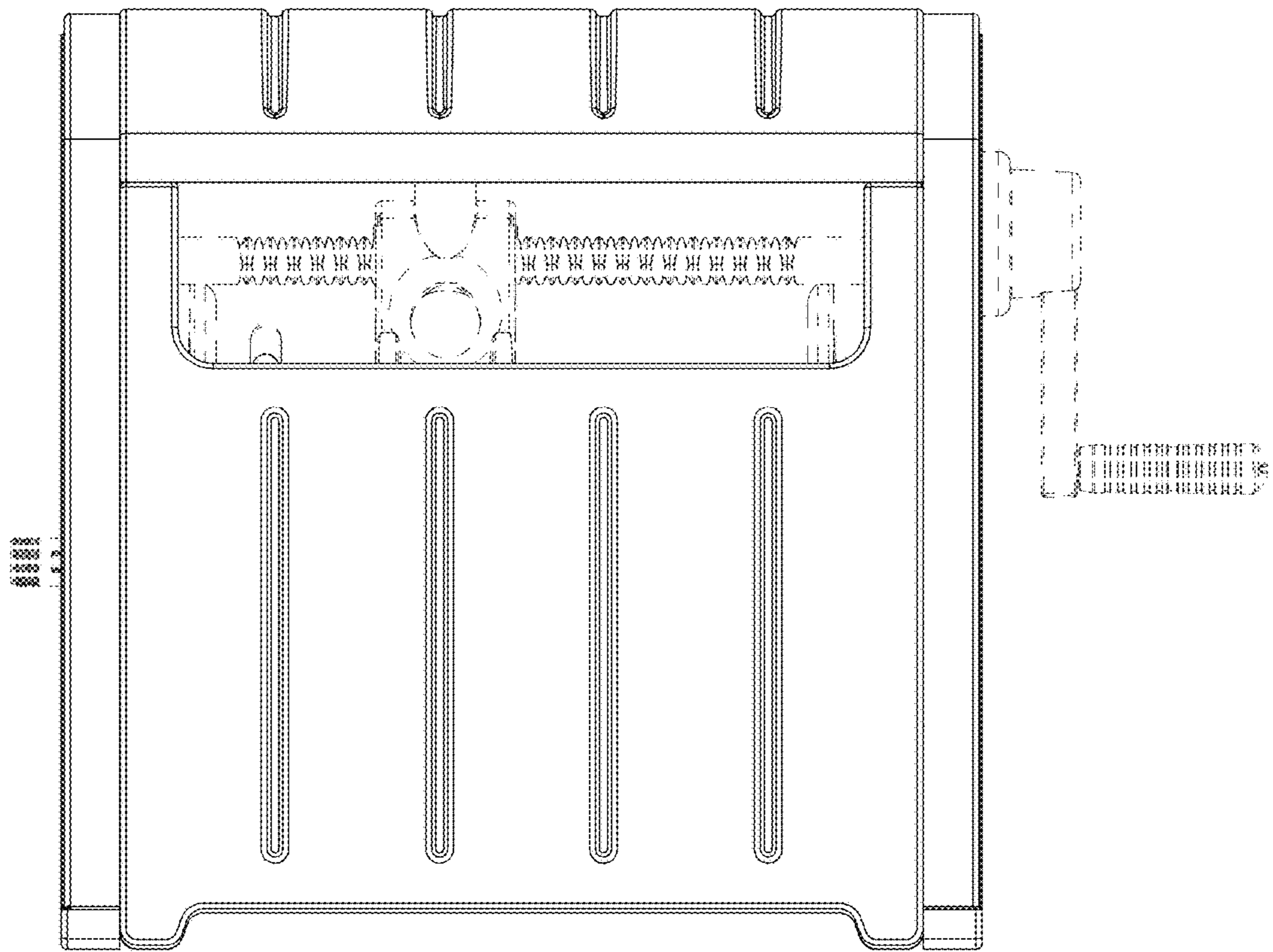


Fig. 4

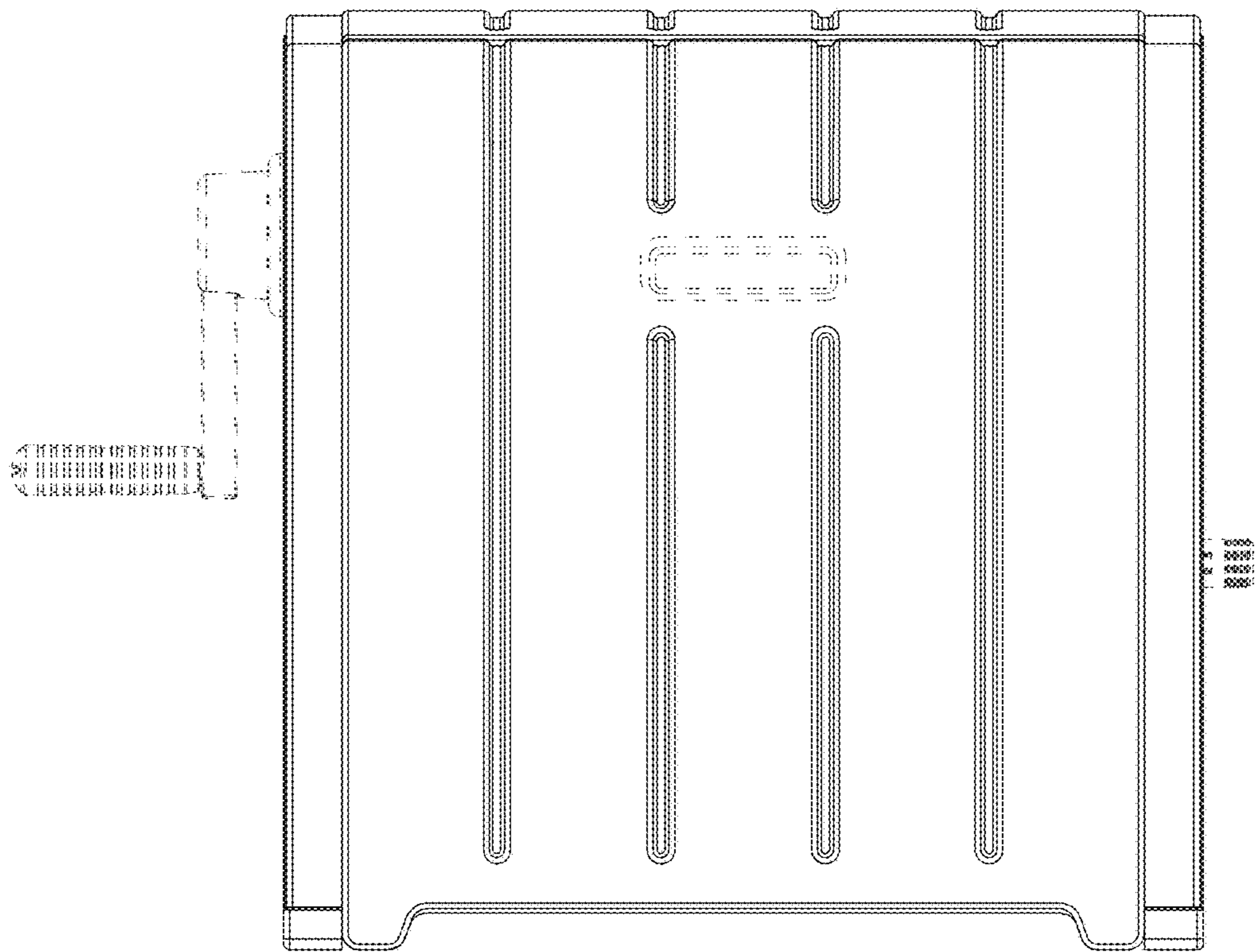


Fig. 5

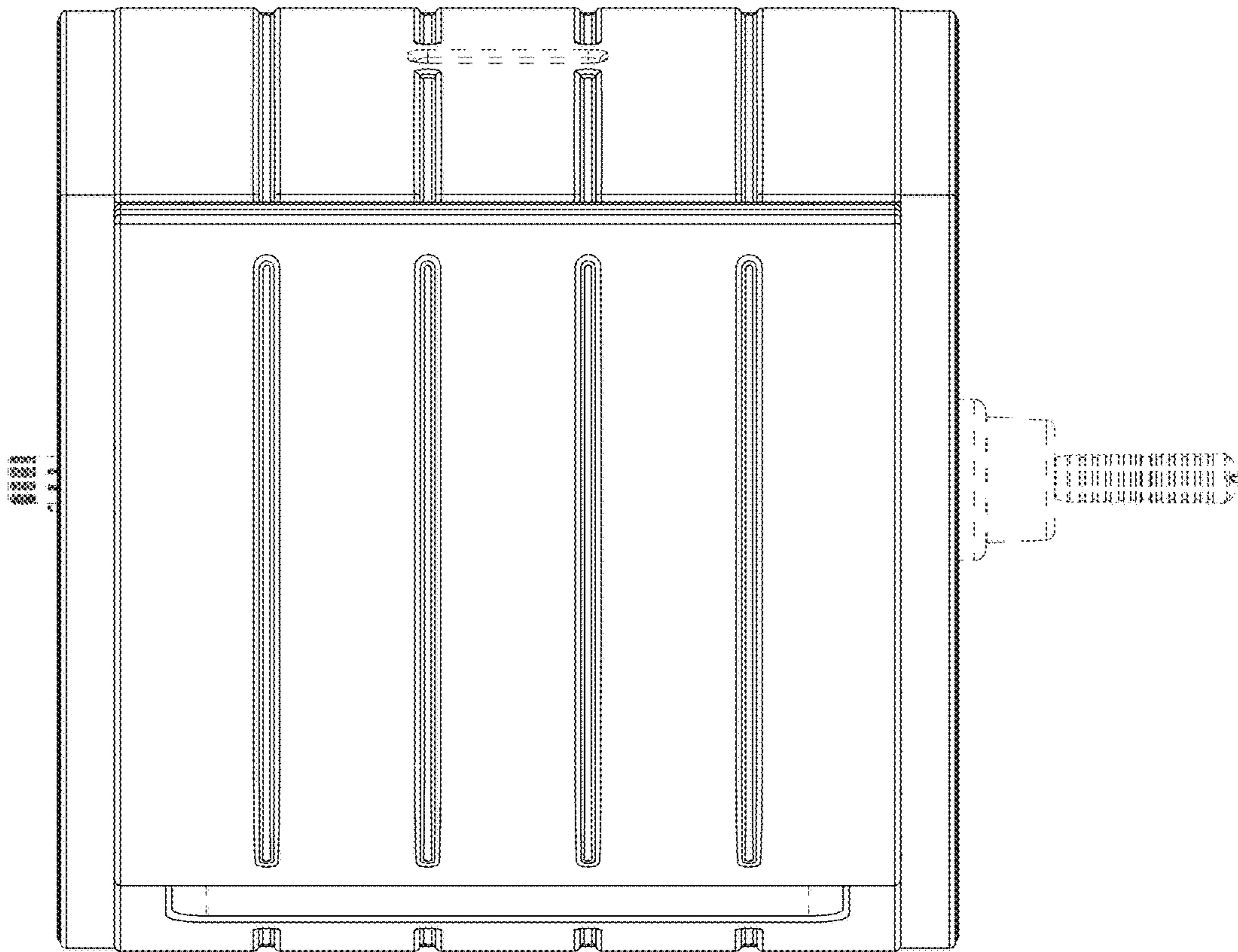


Fig. 6

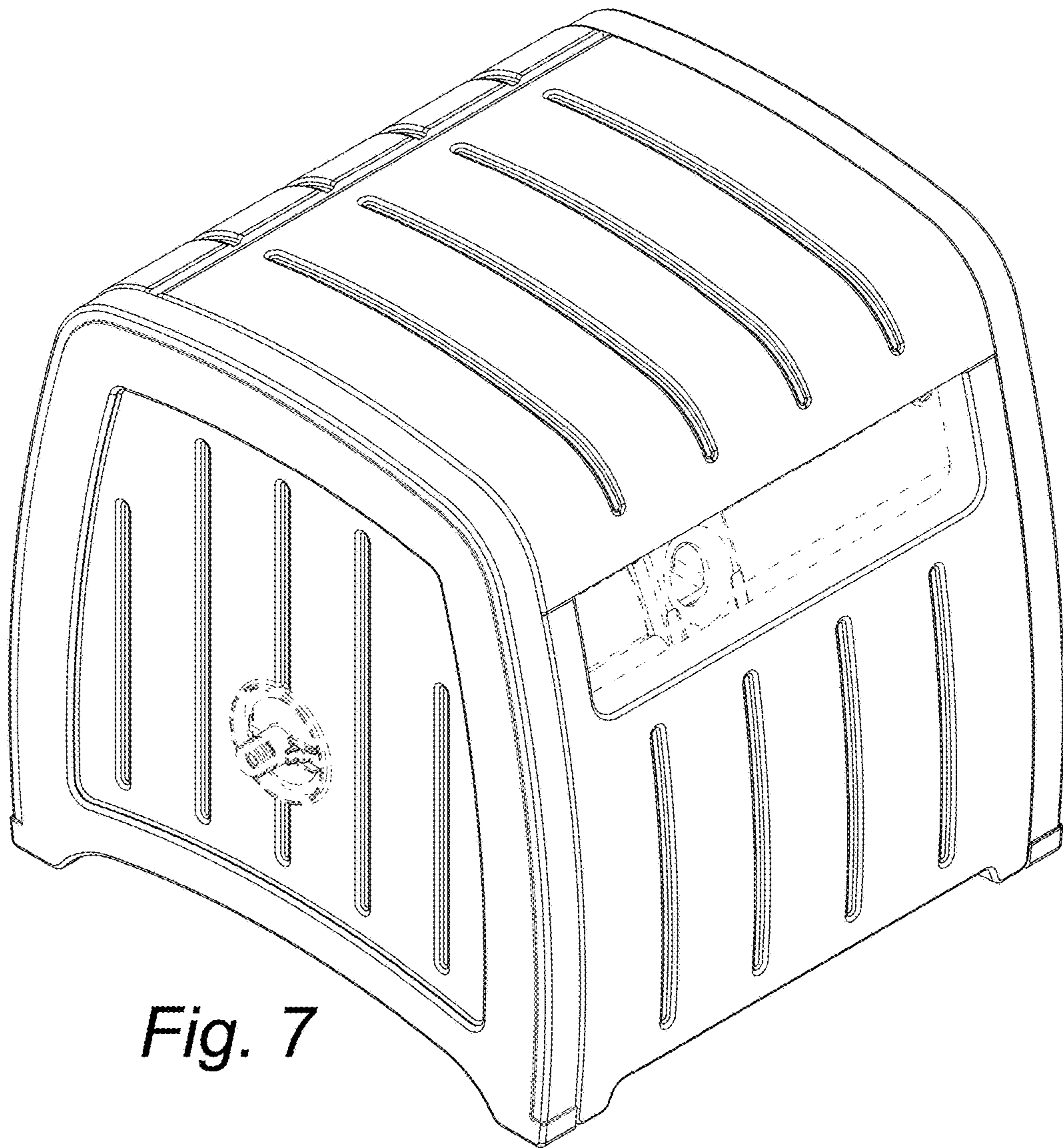


Fig. 7

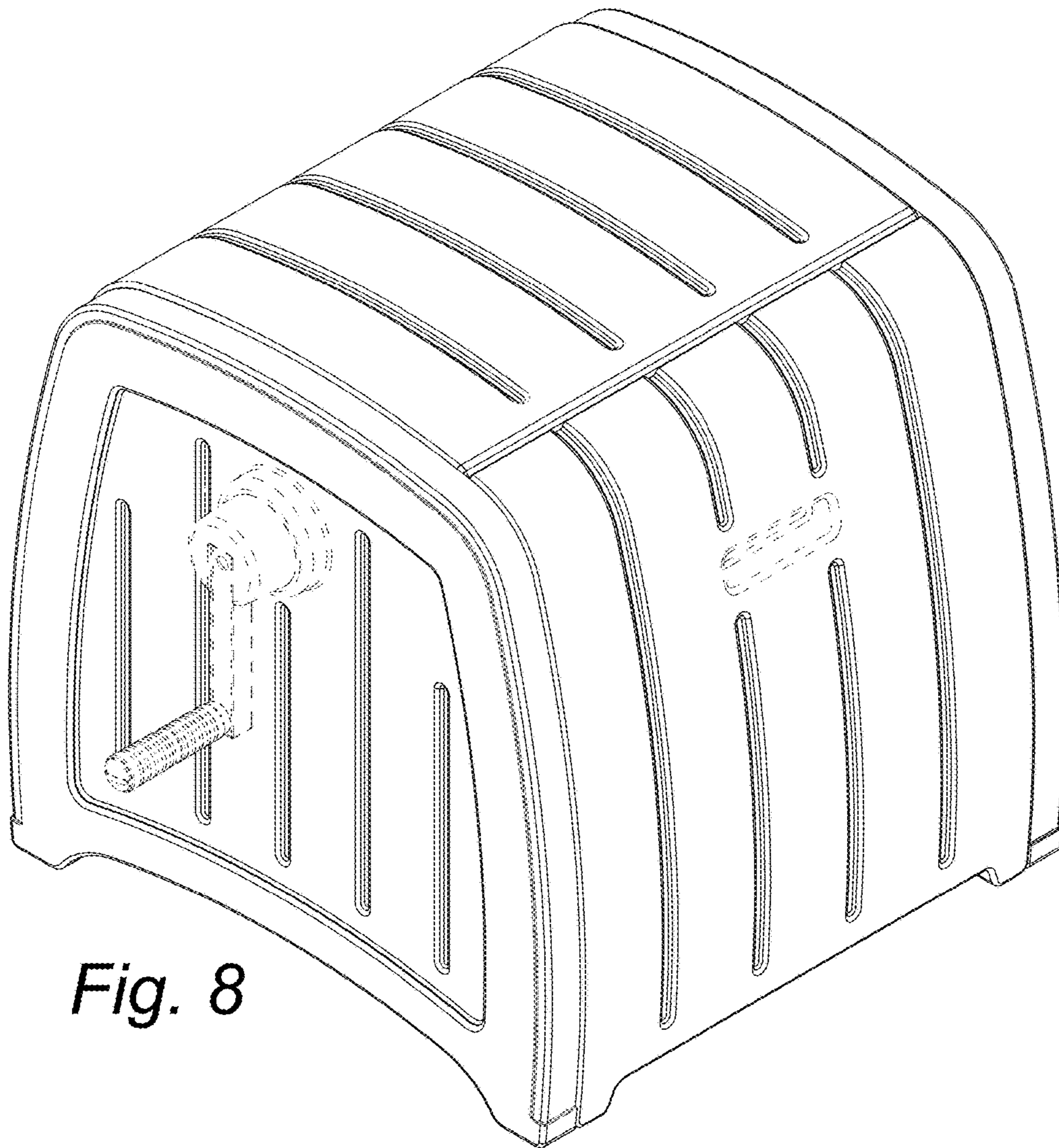


Fig. 8