



US00D801153S

(12) **United States Design Patent**
Guiffault et al.

(10) **Patent No.:** **US D801,153 S**
(45) **Date of Patent:** **** Oct. 31, 2017**

- (54) **FIBER OPTIC REEL STAND WITH AXLE BEARING ASSEMBLY**
- (71) Applicant: **Optical Cable Corporation**, Roanoke, VA (US)
- (72) Inventors: **Nicolas P. Guiffault**, Allen, TX (US); **Venkata R. Penumatcha**, Plano, TX (US)
- (73) Assignee: **Optical Cable Corporation**, Roanoke, VA (US)
- (**) Term: **15 Years**
- (21) Appl. No.: **29/559,393**
- (22) Filed: **Mar. 28, 2016**

Related U.S. Application Data

- (63) Continuation-in-part of application No. 14/645,725, filed on Mar. 15, 2015, now Pat. No. 9,718,638.
- (51) **LOC (10) Cl.** **08-05**
- (52) **U.S. Cl.**
USPC **D8/359**
- (58) **Field of Classification Search**
USPC D8/16, 19, 66, 356, 383, 357, 358, 359, D8/349; D25/134, 43, 39, 38.1, 48.3
(Continued)

References Cited

U.S. PATENT DOCUMENTS

- D199,214 S * 9/1964 Satnton et al. D15/67
 - 4,347,992 A 9/1982 Imai
- (Continued)

FOREIGN PATENT DOCUMENTS

- CA 2518523 C 9/2006
 - CN 1325359 C 8/2002
- (Continued)

Primary Examiner — Robert M Spear
Assistant Examiner — Eliza Bennett-Hattan

(74) *Attorney, Agent, or Firm* — The Van Winkle Law Firm; William G. Heedy; David M. Carter

(57) **CLAIM**

The ornamental design for a fiber optic reel stand with axle bearing assembly, as shown and described.

DESCRIPTION

FIG. 1 is a perspective view of a fiber optic reel stand with axle bearing assembly design according to a first embodiment, wherein the fiber optic reel stand with axle bearing assembly is in the open configuration.

FIG. 2 is a perspective view of a fiber optic reel stand with axle bearing assembly design of FIG. 1 and showing a reel thereon in broken lines.

FIG. 3 is a front elevational view of the fiber optic reel stand with axle bearing assembly design of FIG. 1.

FIG. 4 is a rear elevational view of the fiber optic reel stand with axle bearing assembly design of FIG. 1.

FIG. 5 is a left side elevational view of the fiber optic reel stand with axle bearing assembly design of FIG. 1.

FIG. 6 is a right side elevational view of the fiber optic reel stand with axle bearing assembly design of FIG. 1.

FIG. 7 is a top plan view of the fiber optic reel stand with axle bearing assembly design of FIG. 1.

FIG. 8 is a bottom plan view of the fiber optic reel stand with axle bearing assembly design of FIG. 1.

FIG. 9 is a perspective view of the fiber optic reel stand with axle bearing assembly design according to a second embodiment, wherein the fiber optic reel stand with axle bearing assembly does not include opposing cranks.

FIG. 10 is a perspective view of a fiber optic reel stand with axle bearing assembly design of FIG. 9 and showing a reel thereon in broken lines.

FIG. 11 is a front elevational view of the fiber optic reel stand with axle bearing assembly design of FIG. 9.

FIG. 12 is a rear elevational view of the fiber optic reel stand with axle bearing assembly design of FIG. 9.

FIG. 13 is a left side elevational view of the fiber optic reel stand with axle bearing assembly design of FIG. 9.

(Continued)

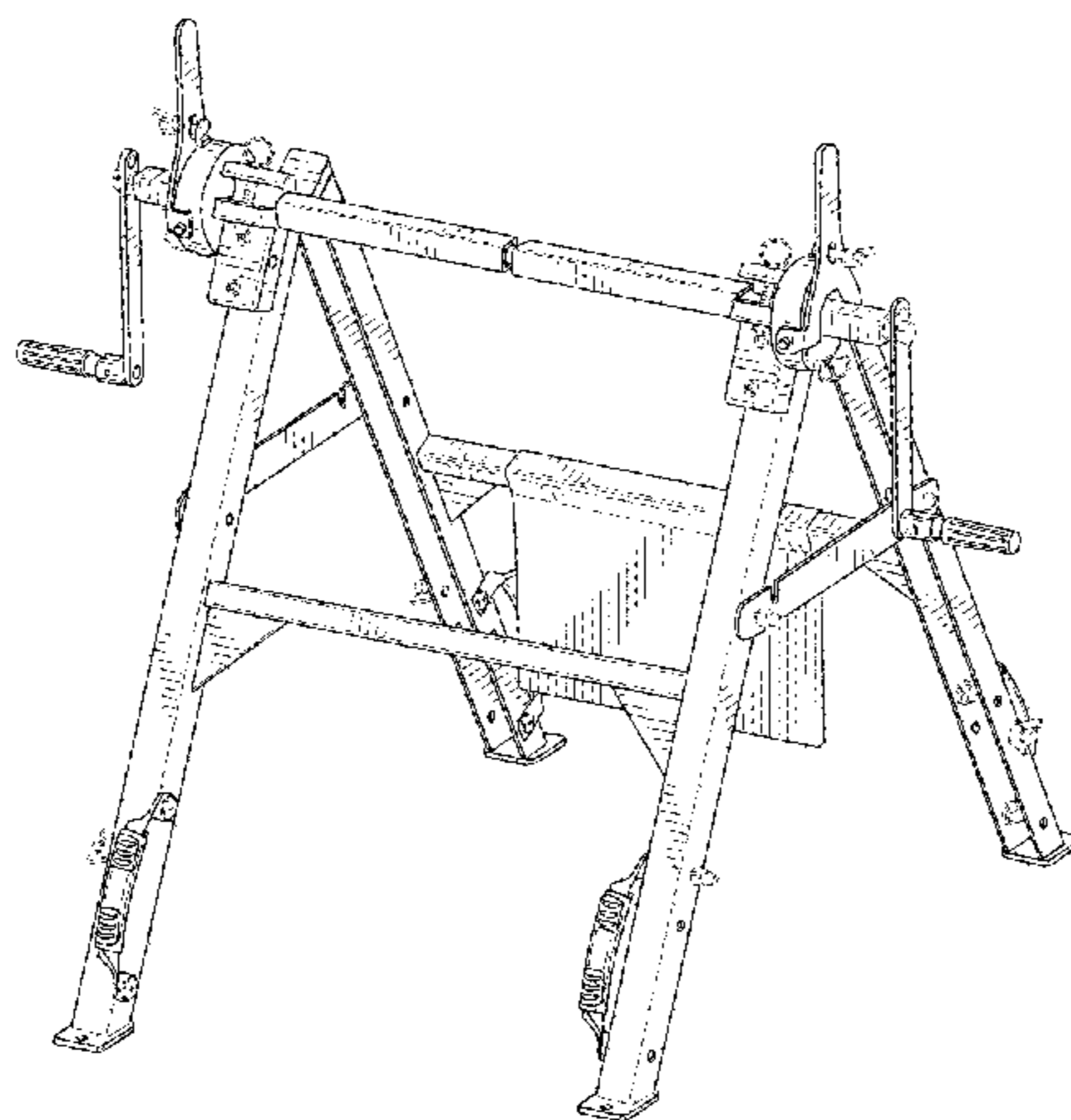


FIG. 14 is a right side elevational view of the fiber optic reel stand with axle bearing assembly design of FIG. 9.
 FIG. 15 is a top plan view of the fiber optic reel stand with axle bearing assembly design of FIG. 9.
 FIG. 16 is a bottom plan view of the fiber optic reel stand with axle bearing assembly design of FIG. 9.
 FIG. 17 is a perspective view of the fiber optic reel stand with axle bearing assembly design according to the first embodiment, wherein the fiber optic reel stand with axle bearing assembly is in a closed position.
 FIG. 18 is a perspective view of a fiber optic reel stand with axle bearing assembly design of FIG. 17 and showing a reel thereon in broken lines.
 FIG. 19 is a front elevational view of the fiber optic reel stand with axle bearing assembly design of FIG. 17.
 FIG. 20 is a rear elevational view of the fiber optic reel stand with axle bearing assembly design of FIG. 17.
 FIG. 21 is a left side elevational view of the fiber optic reel stand with axle bearing assembly design of FIG. 17.
 FIG. 22 is a right side elevational view of the fiber optic reel stand with axle bearing assembly design of FIG. 17.
 FIG. 23 is a top plan view of the fiber optic reel stand with axle bearing assembly design of FIG. 17; and,
 FIG. 24 is a bottom plan view of the fiber optic reel stand with axle bearing assembly design of FIG. 17.

1 Claim, 22 Drawing Sheets

(58) Field of Classification Search

CPC A01G 17/04; A01G 17/06; A01K 91/03;
 A01K 91/047; A01K 97/00

See application file for complete search history.

(56)

References Cited

U.S. PATENT DOCUMENTS

4,357,519	A	11/1982	Bain, Jr.	
4,467,978	A	8/1984	Farrington	
D285,901	S *	9/1986	Gustavsson	D8/358
4,657,203	A *	4/1987	Crawford	B65H 75/14 242/118.4
D437,545	S *	2/2001	Bohrer	D8/359
D562,671	S *	2/2008	Dethier	D8/359
D570,573	S *	6/2008	Arcati	D34/24
D664,026	S *	7/2012	Zalzalab	D8/359
D672,635	S *	12/2012	Phillips	D8/359
D737,401	S *	8/2015	Dethier	D22/137
D739,715	S *	9/2015	Gradwohl	D8/356
2008/0093187	A1 *	4/2008	Roberts	B65H 75/22 191/12.2 R
2009/0074334	A1	3/2009	Juan	
2014/0001305	A1 *	1/2014	Penumatcha	B65H 75/14 242/604
2015/0259173	A1 *	9/2015	Guiffault	B65H 49/321 242/401

FOREIGN PATENT DOCUMENTS

CN	102996497	A	3/2013
GB	191123488		5/1912
GB	956739	A	4/1964
GB	2453326	B	4/2009
JP	09177853	A	7/1997
JP	4034276	B2	11/2007

* cited by examiner

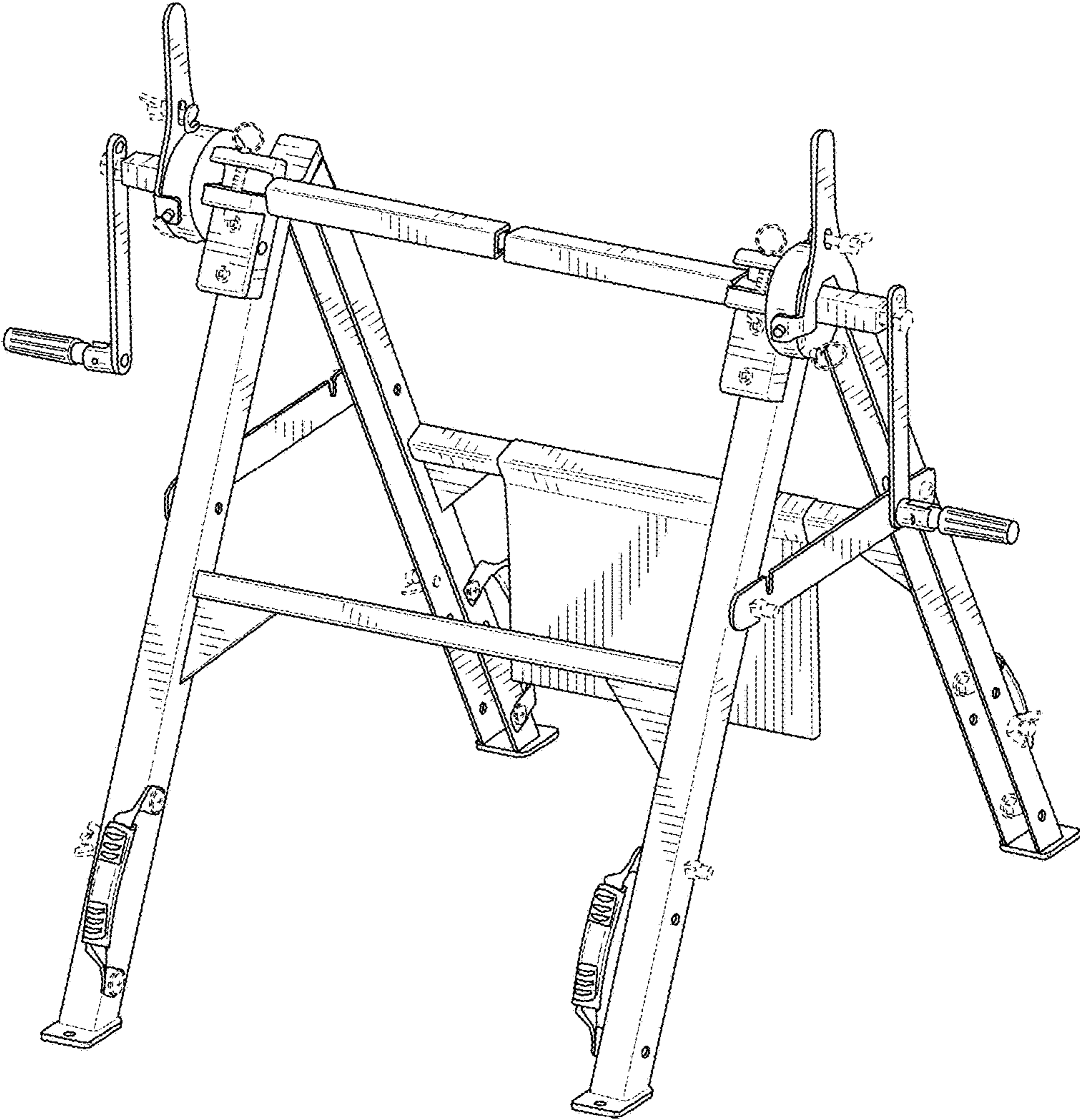


FIG. 1

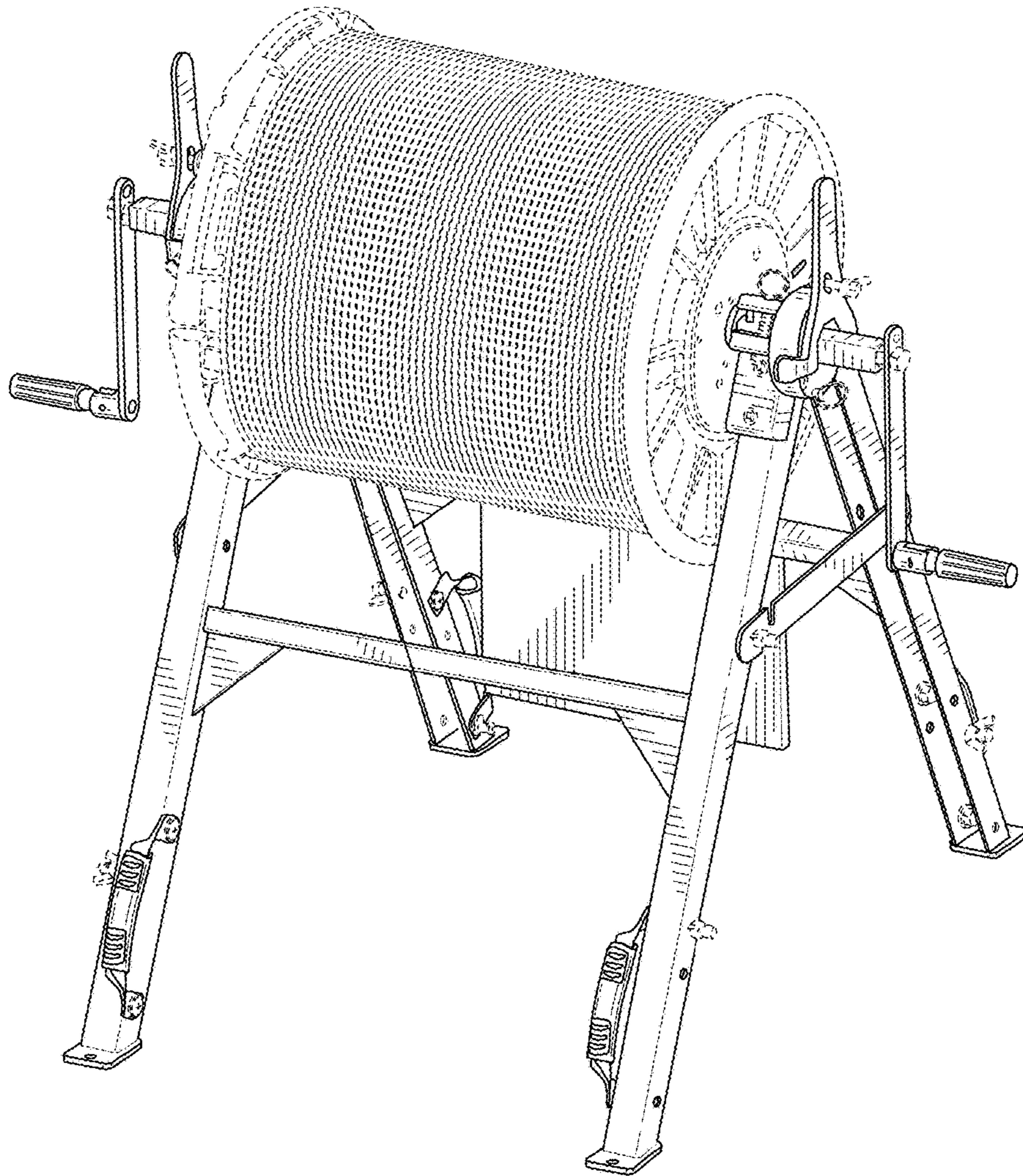


FIG. 2

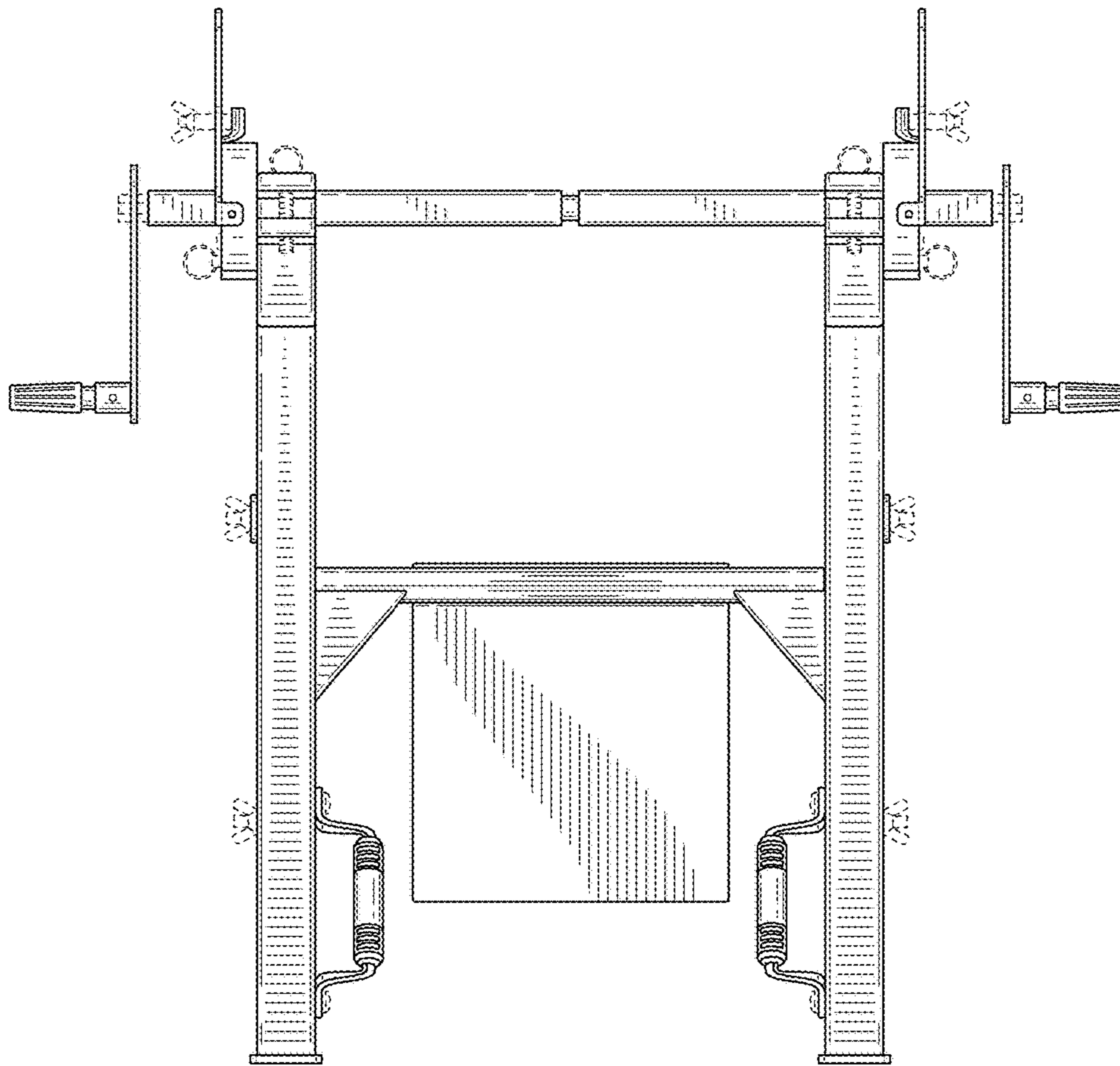


FIG. 3

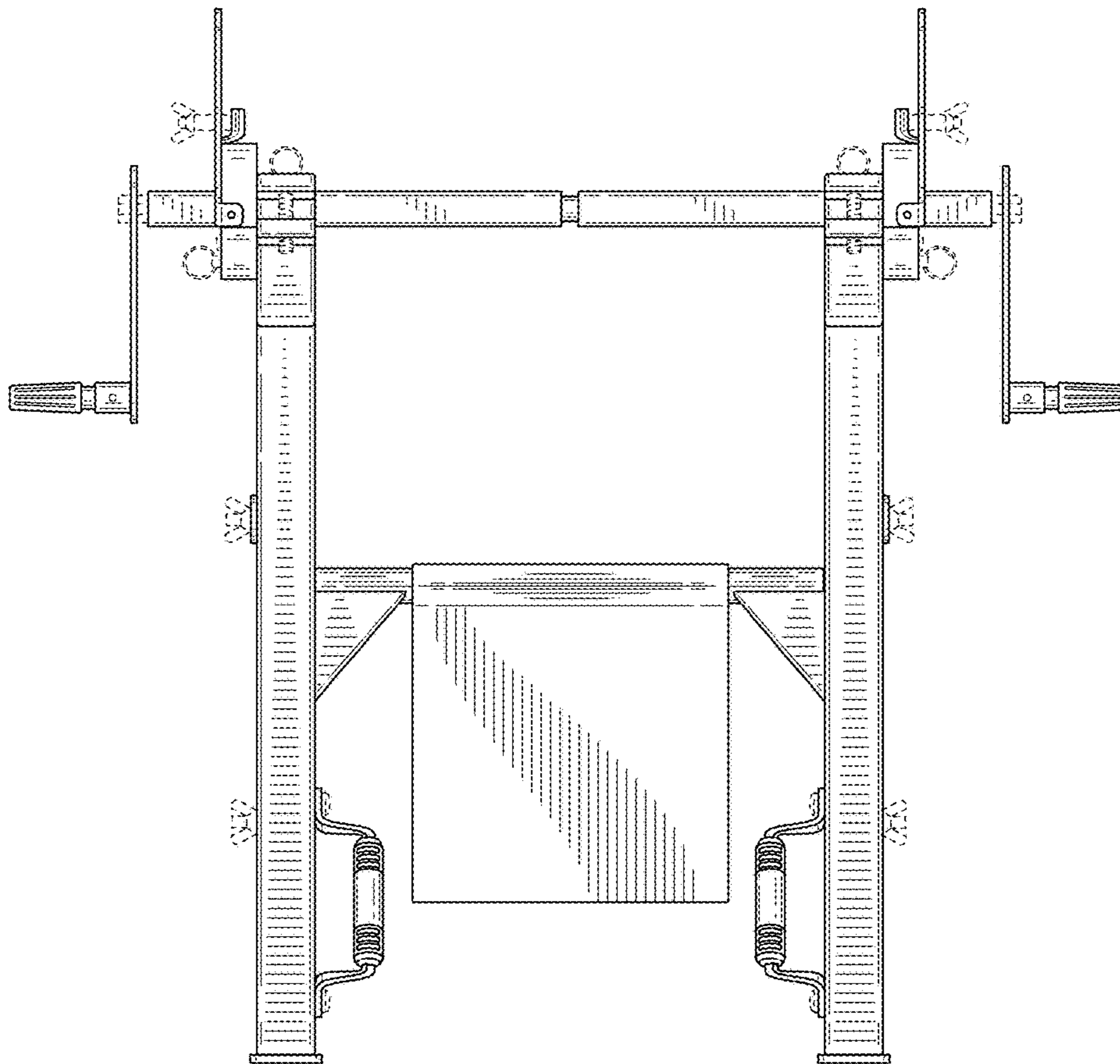


FIG. 4

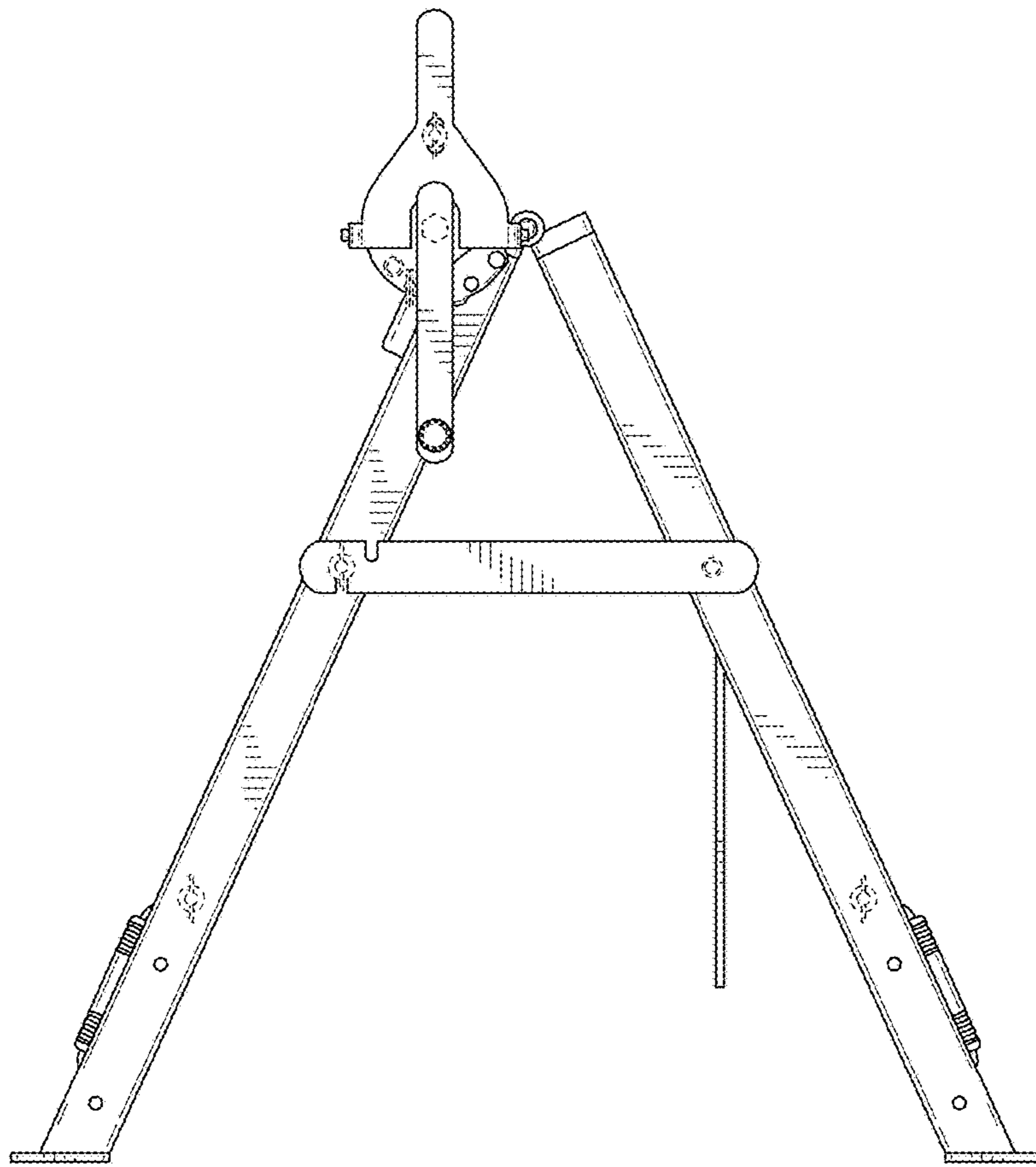


FIG. 5

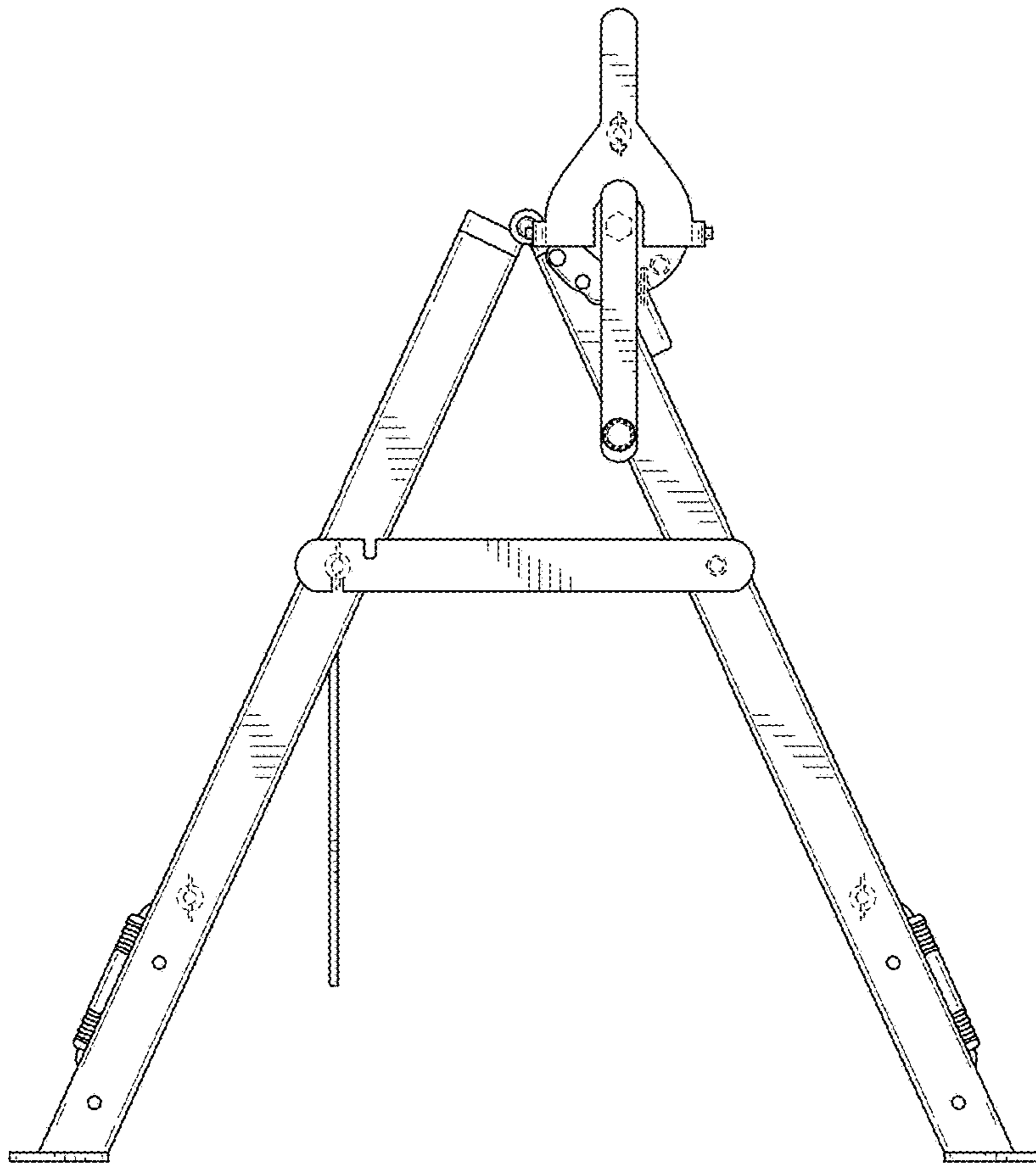


FIG. 6

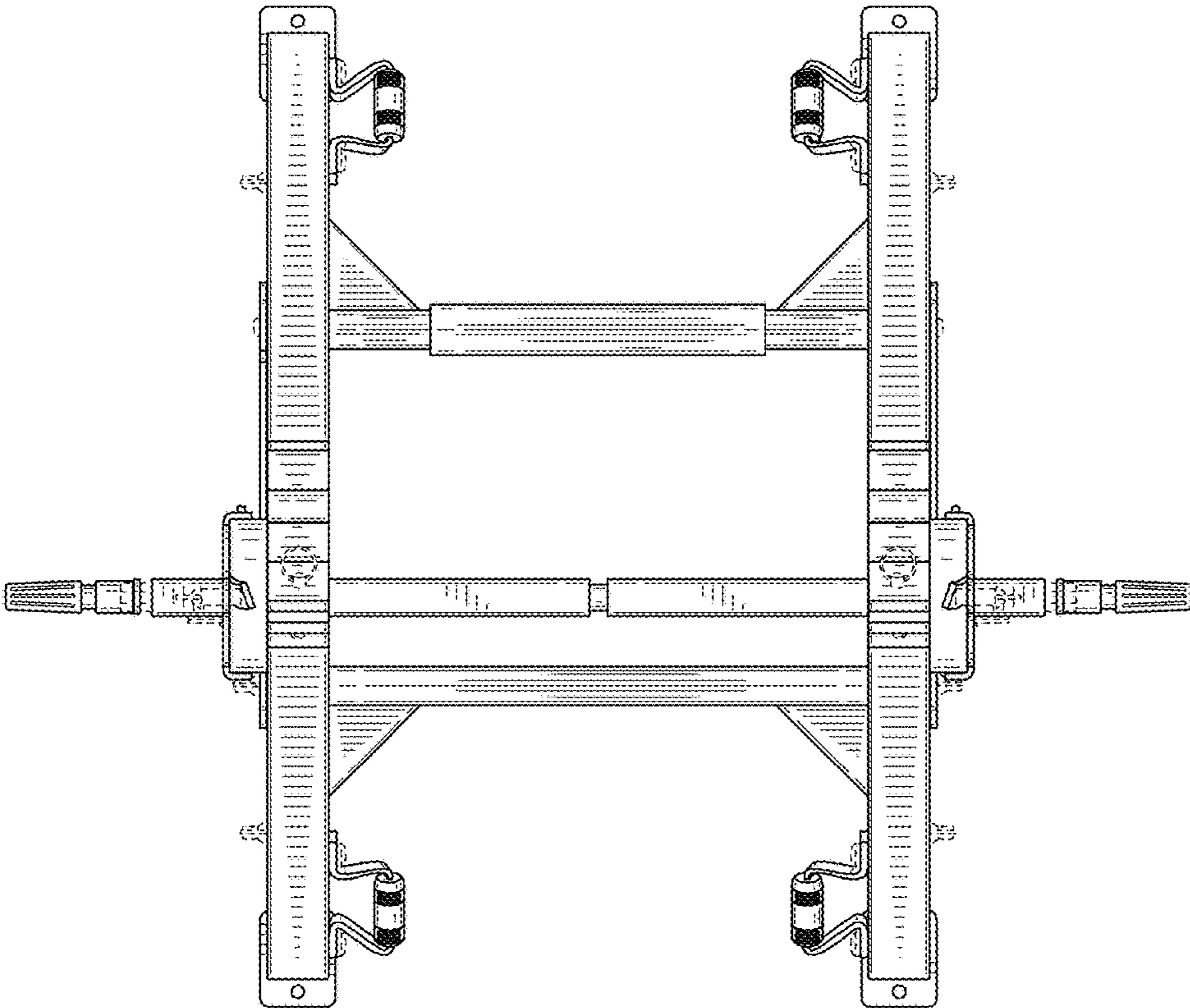


FIG. 7

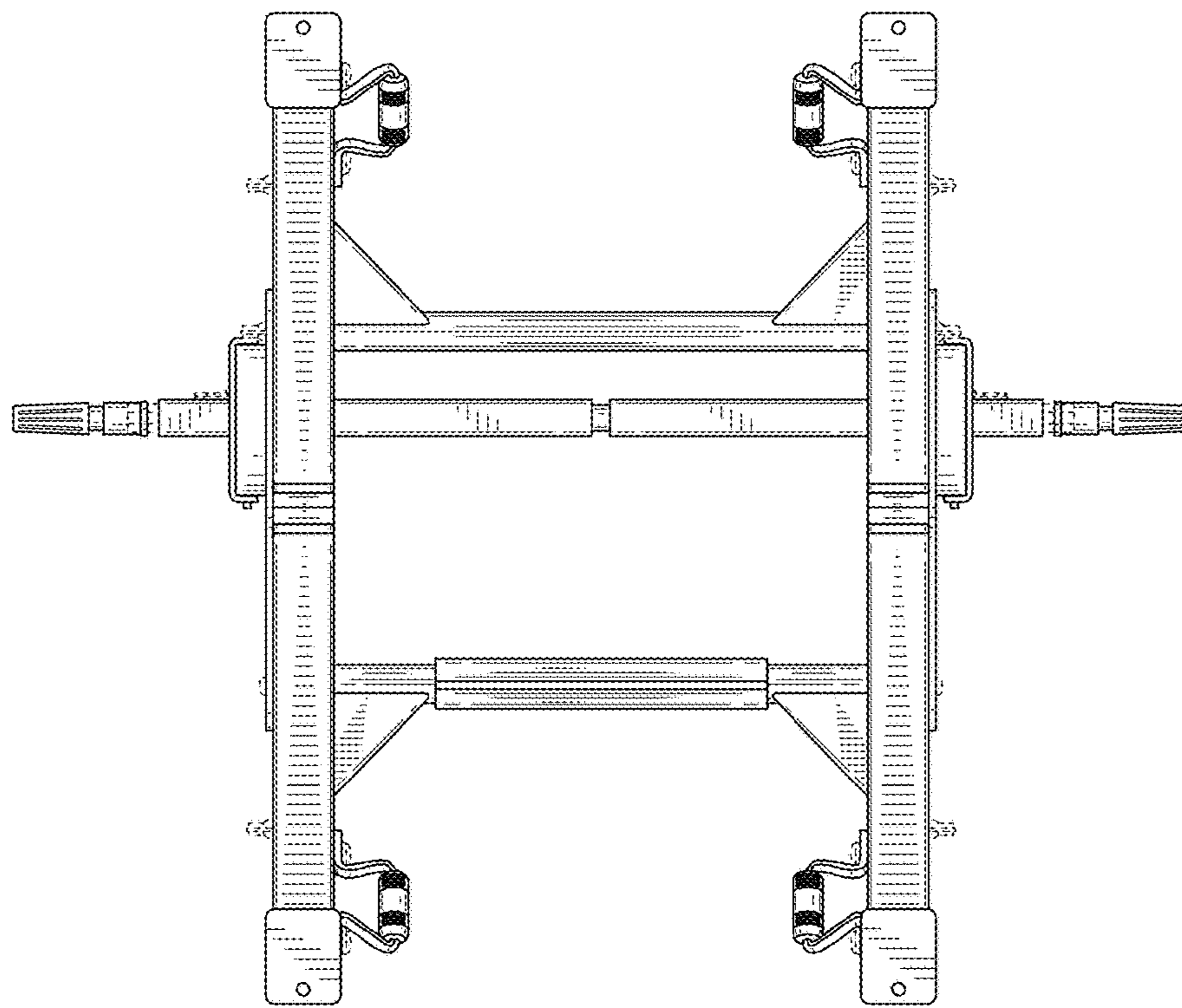


FIG. 8

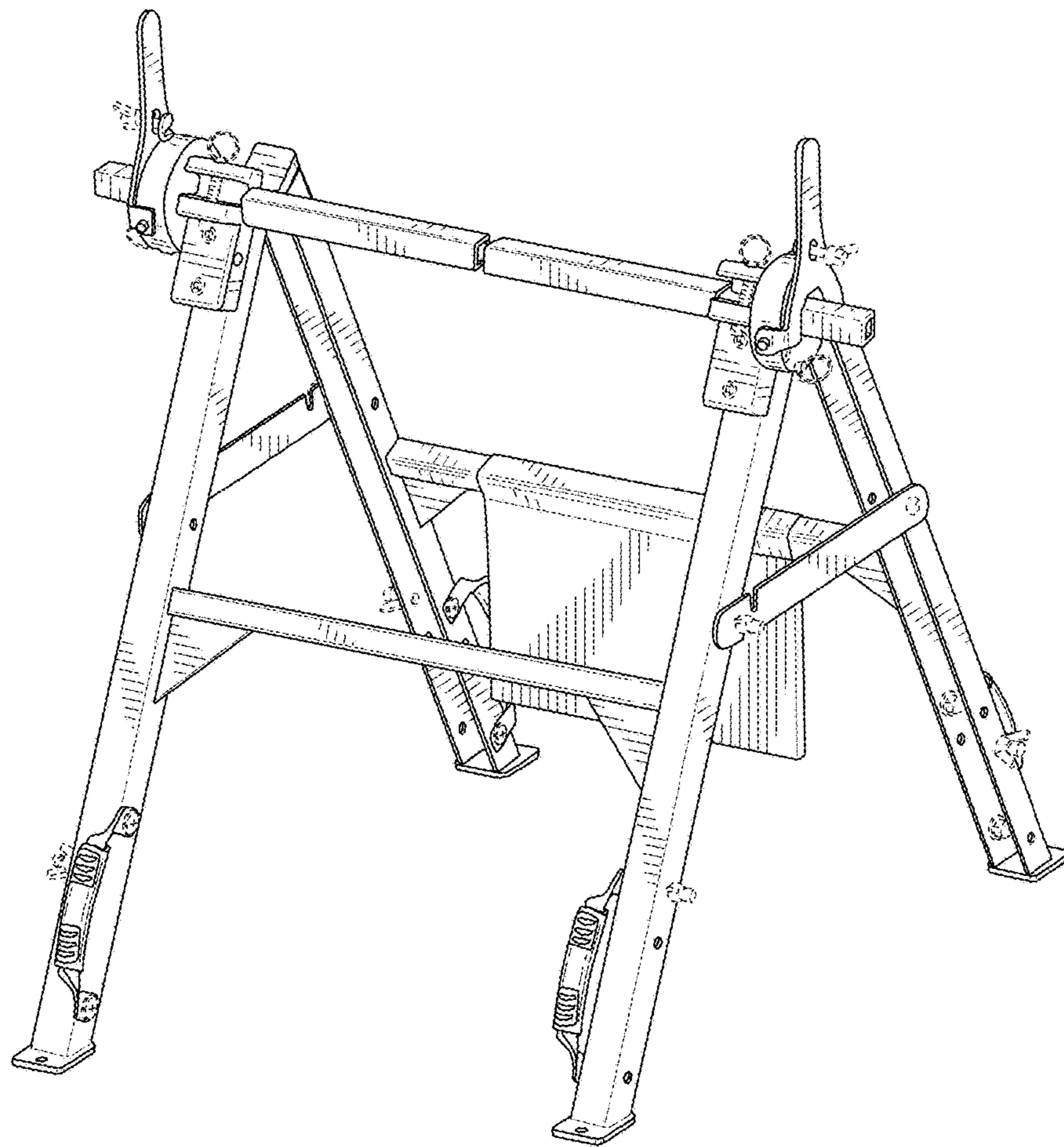


FIG. 9

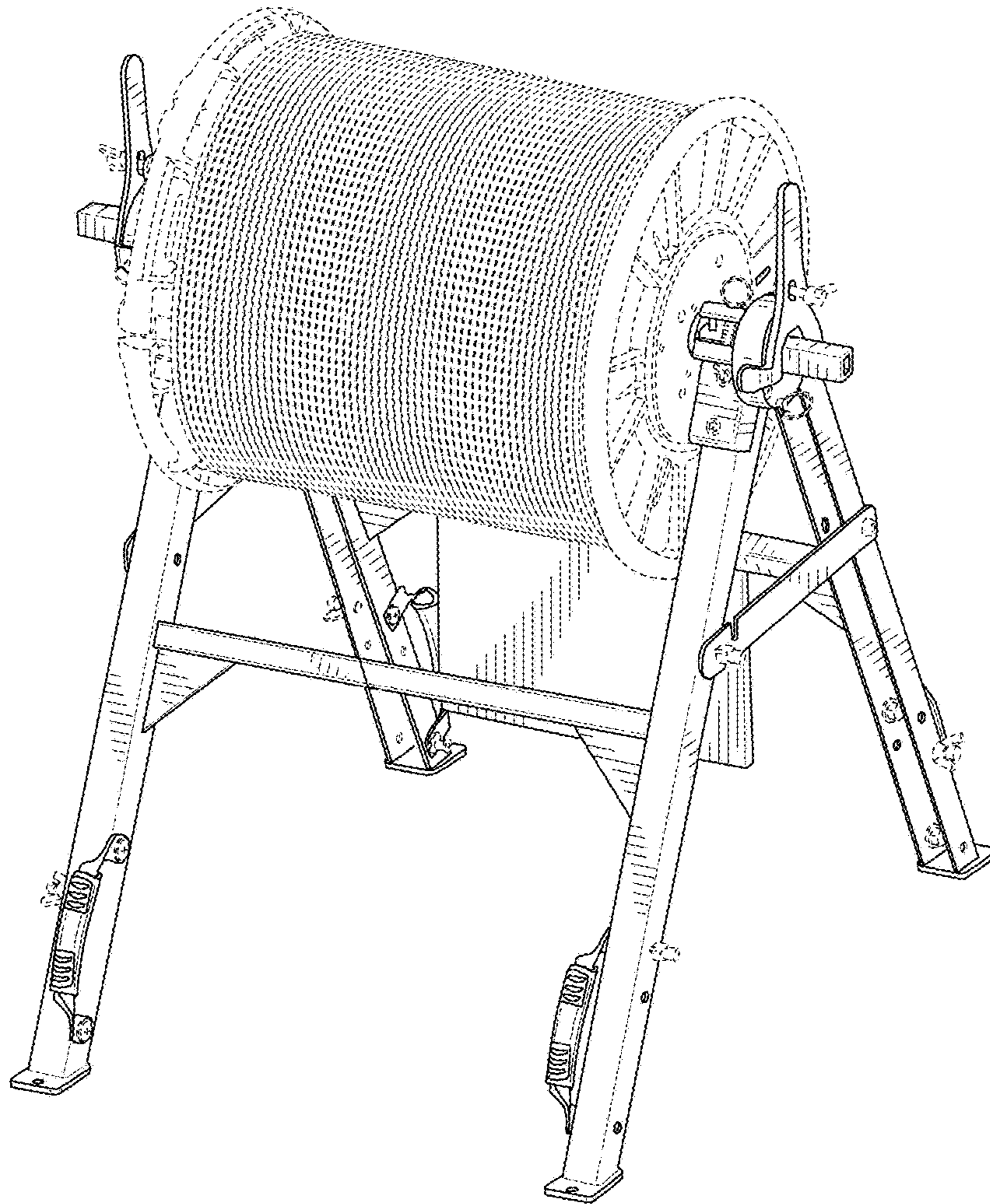


FIG. 10

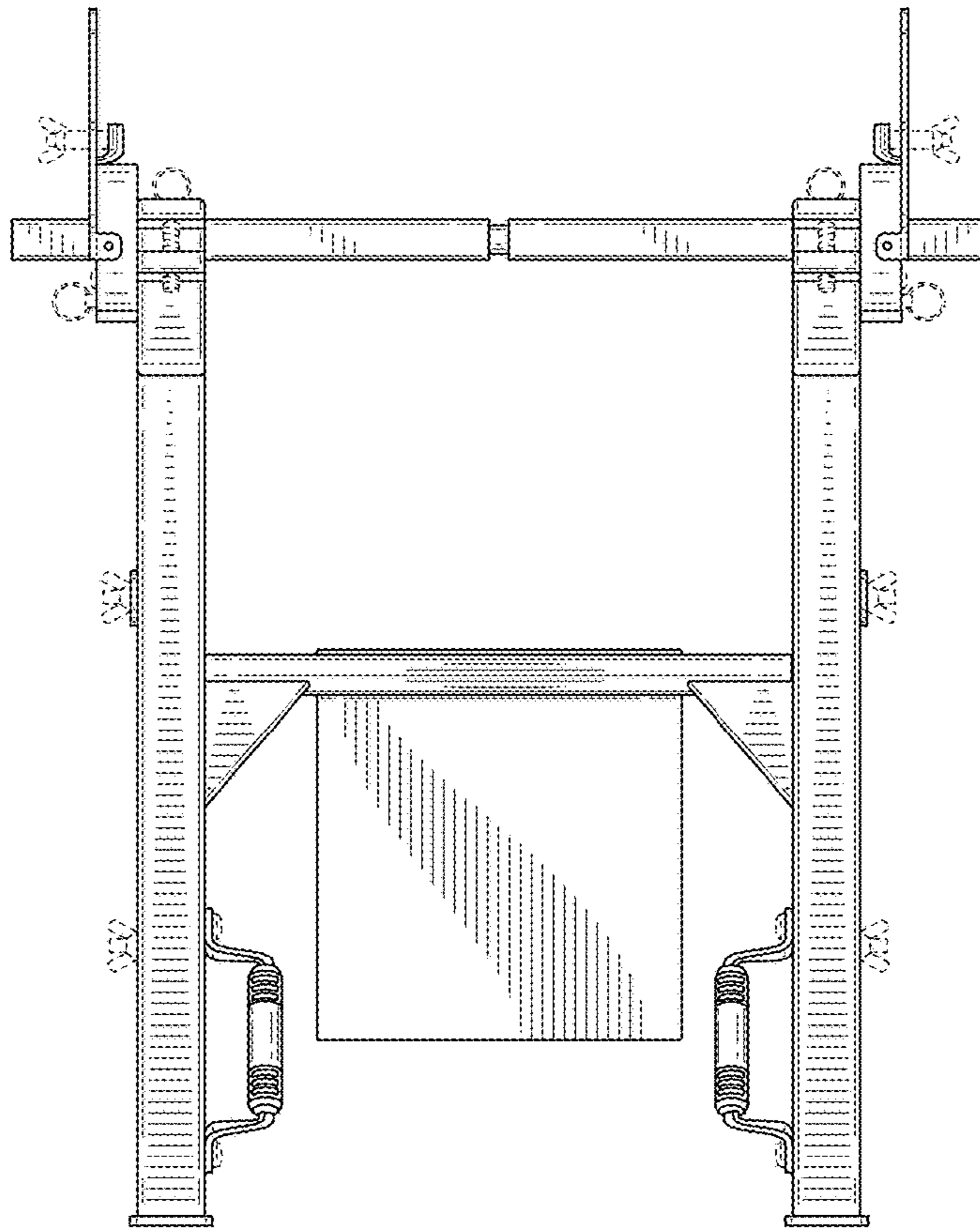


FIG. 11

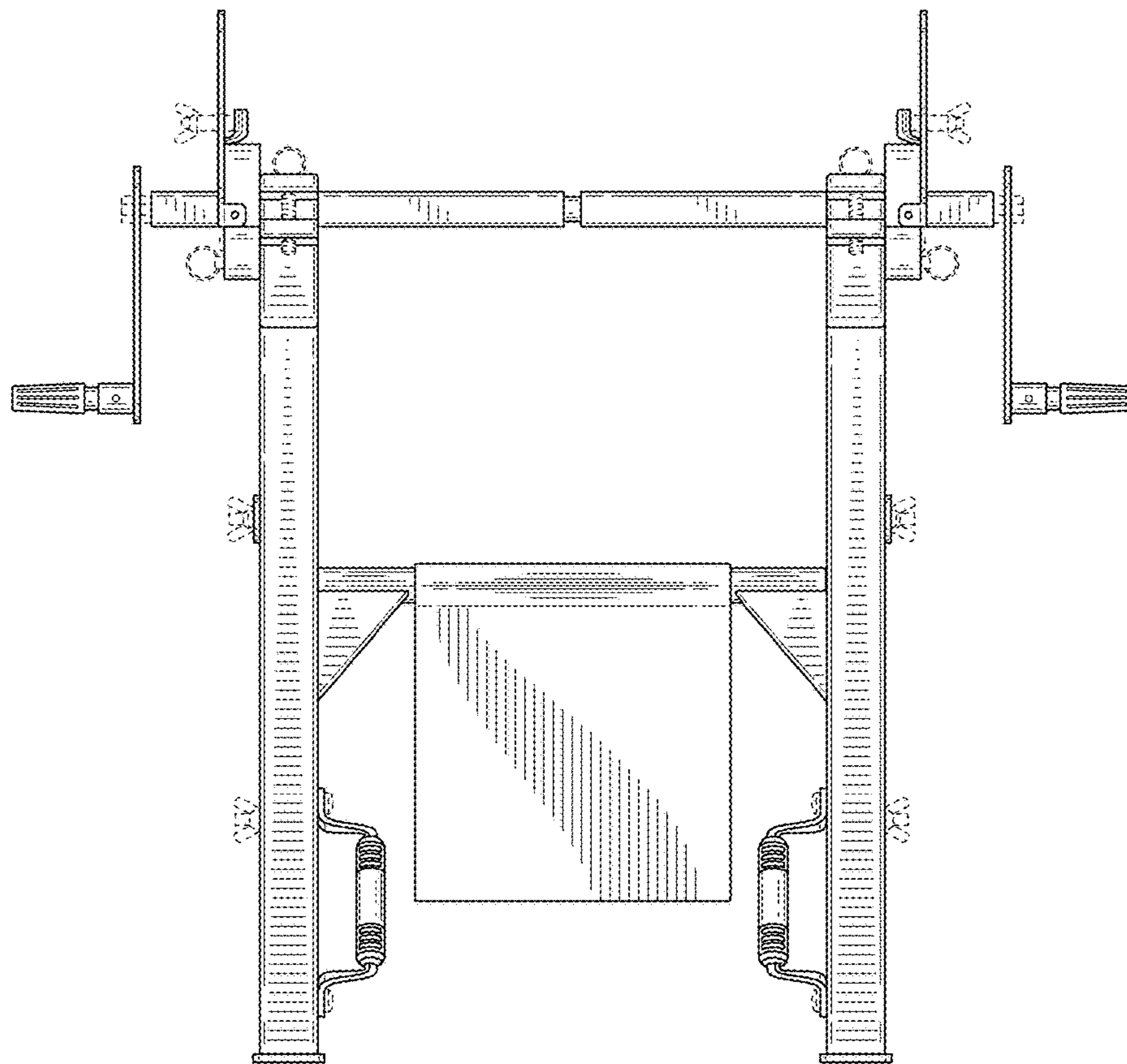


FIG. 12

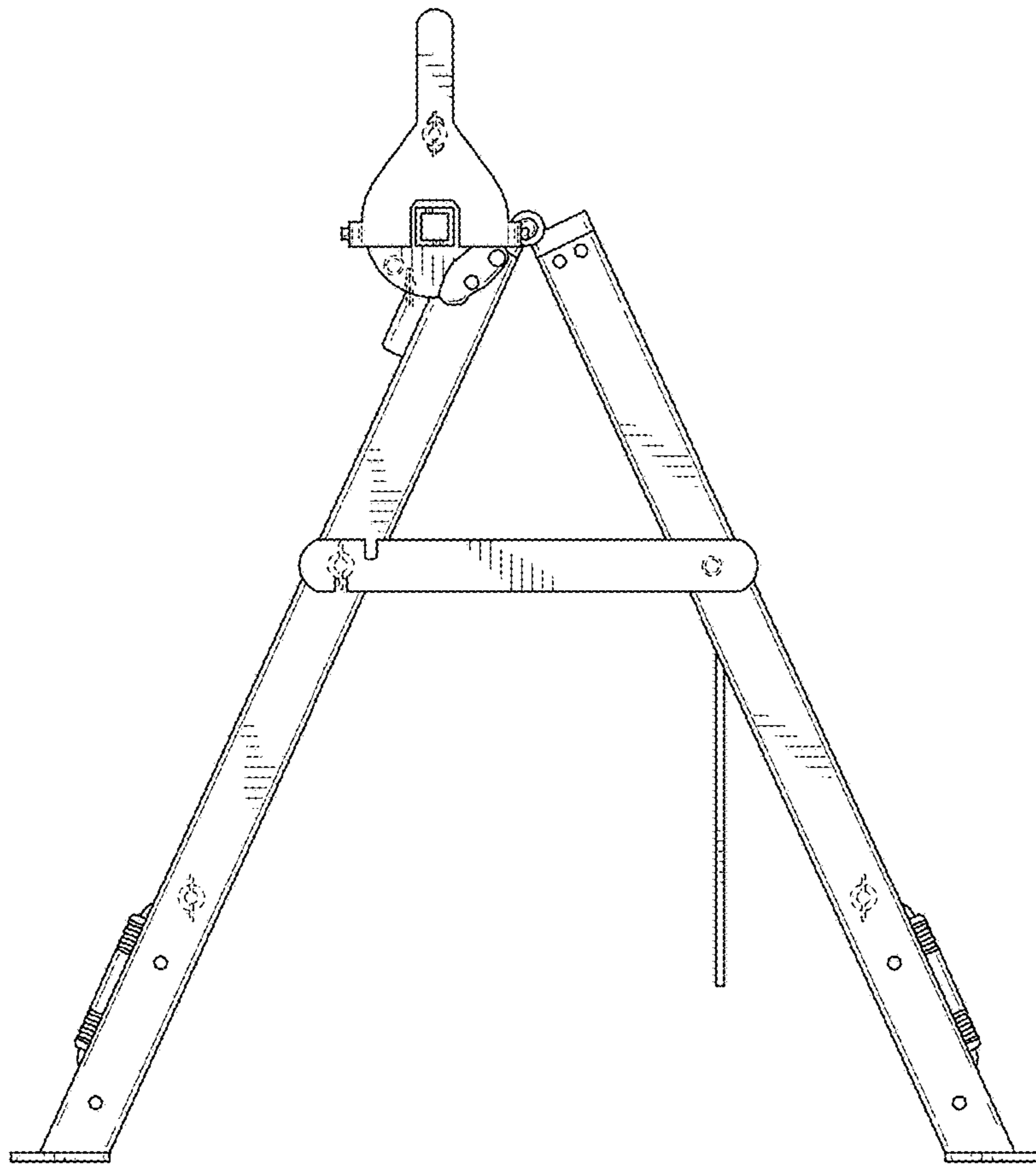


FIG. 13

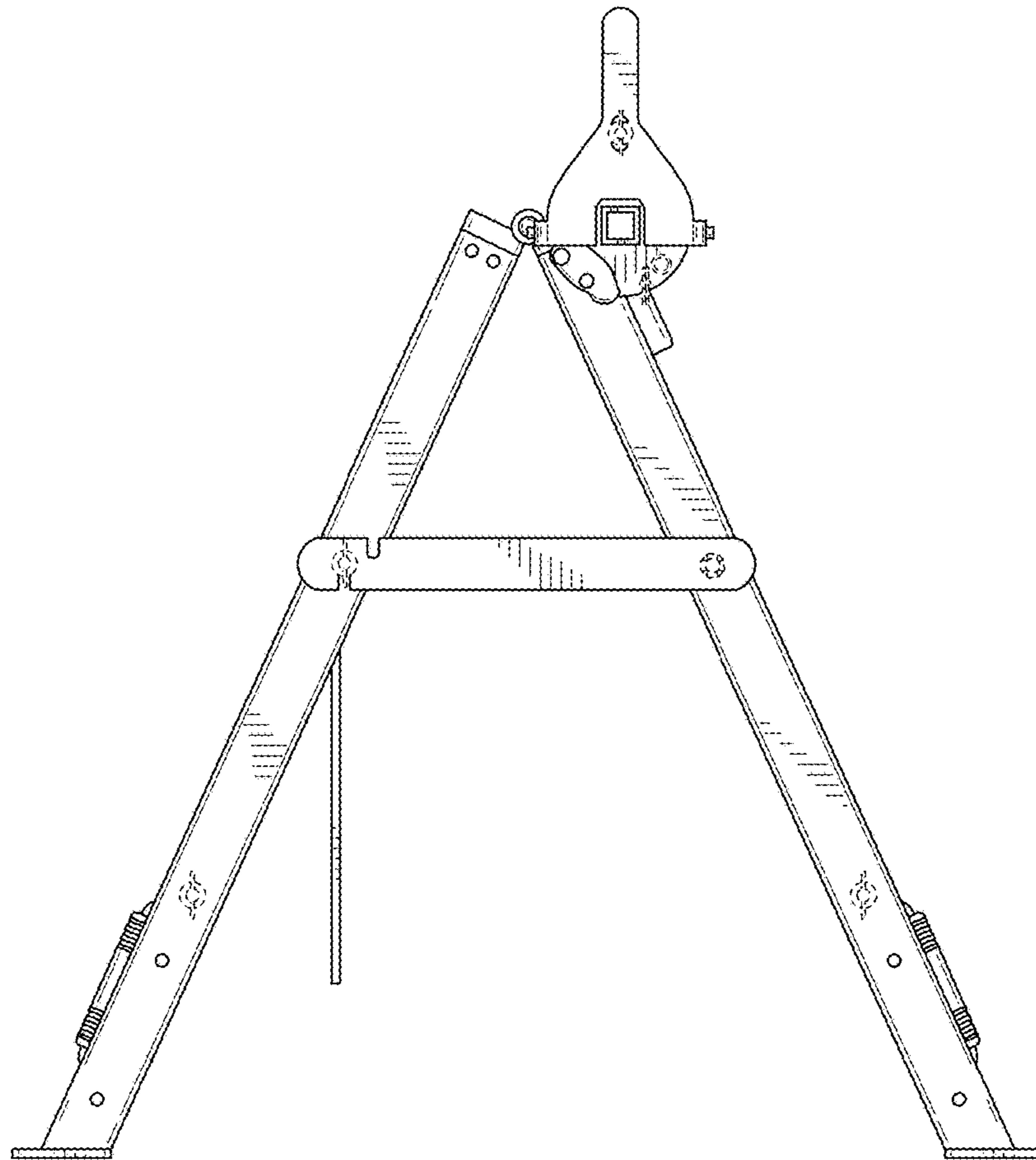


FIG. 14

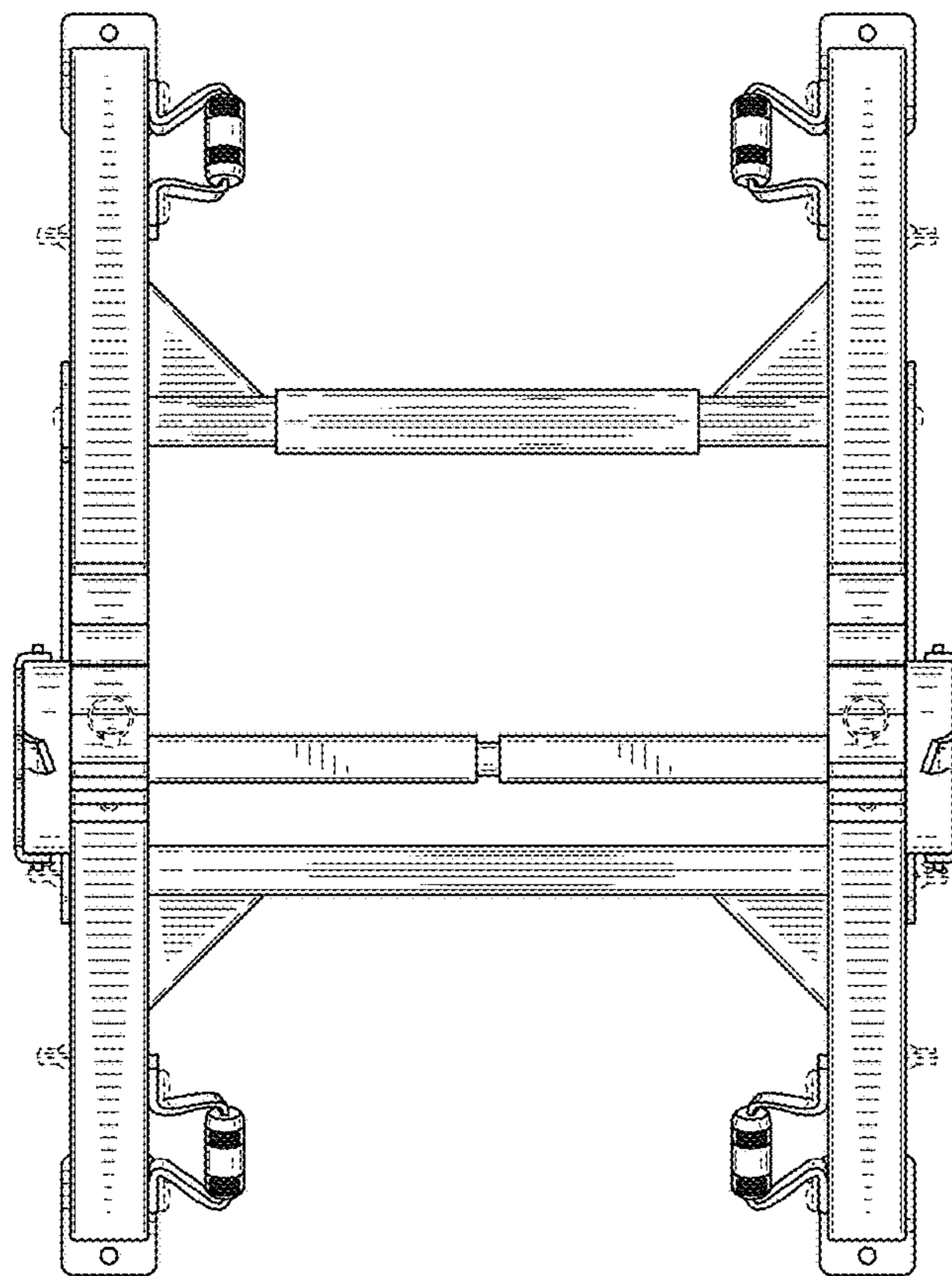


FIG. 15

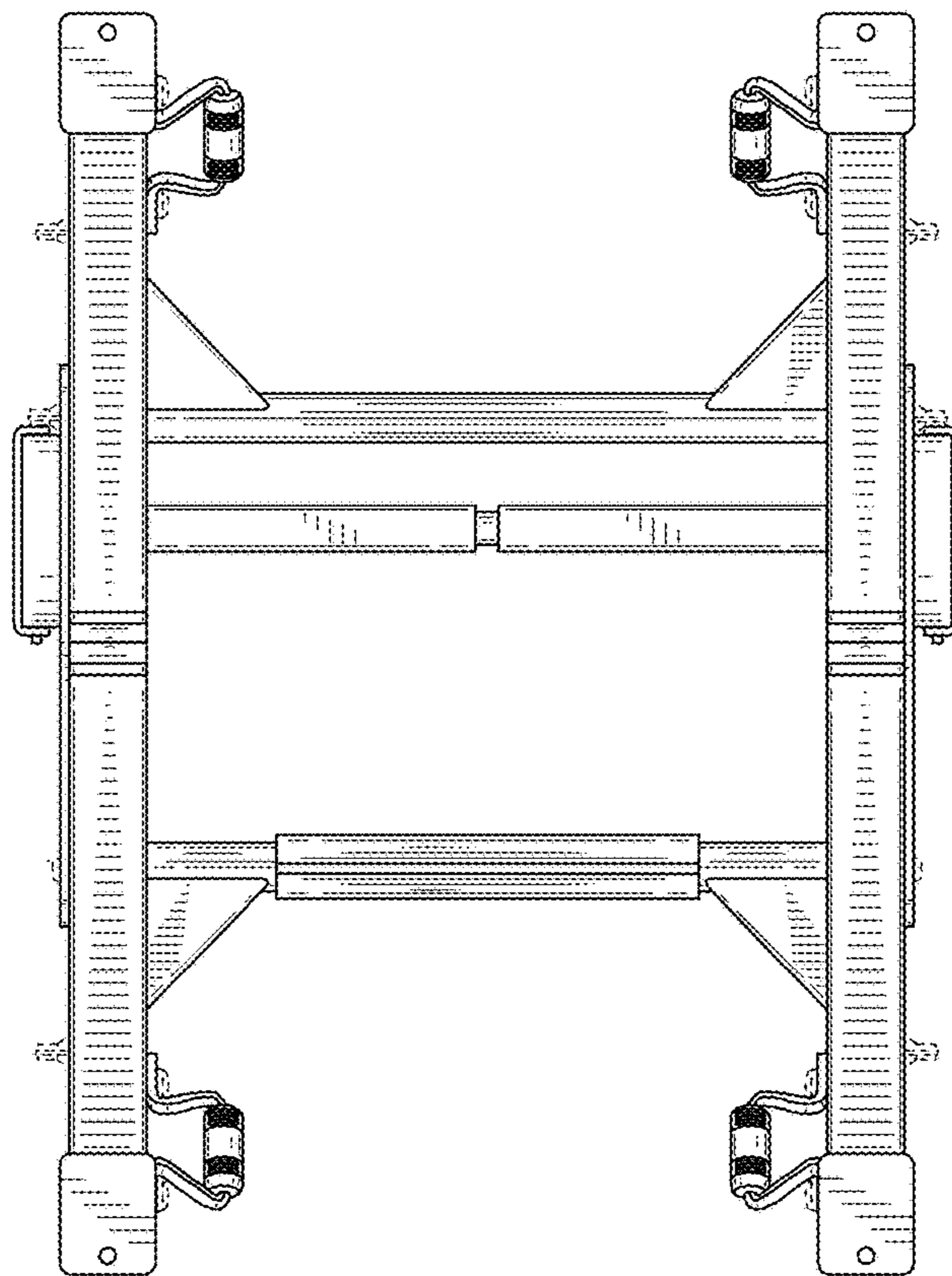


FIG. 16

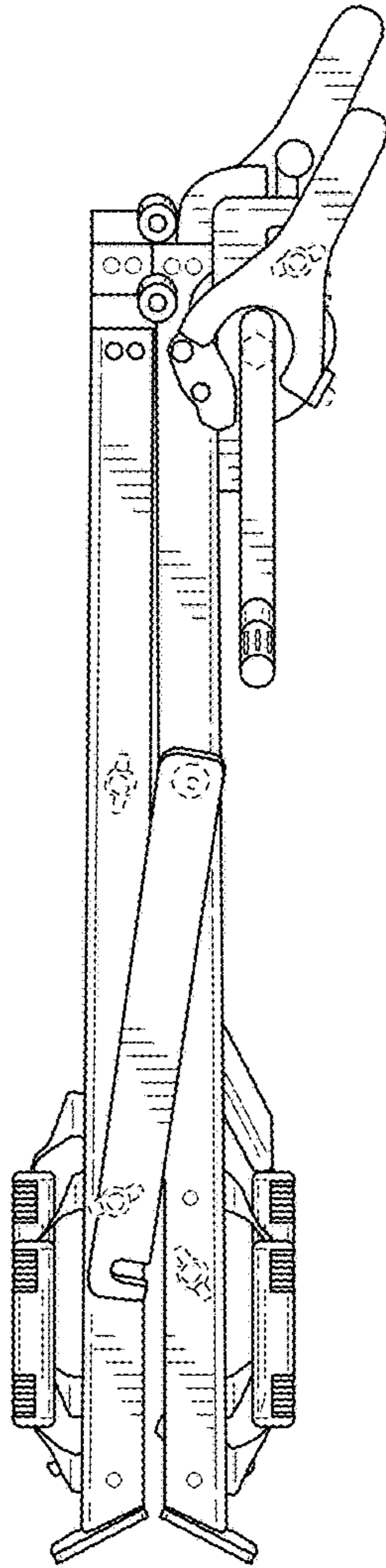


FIG. 17

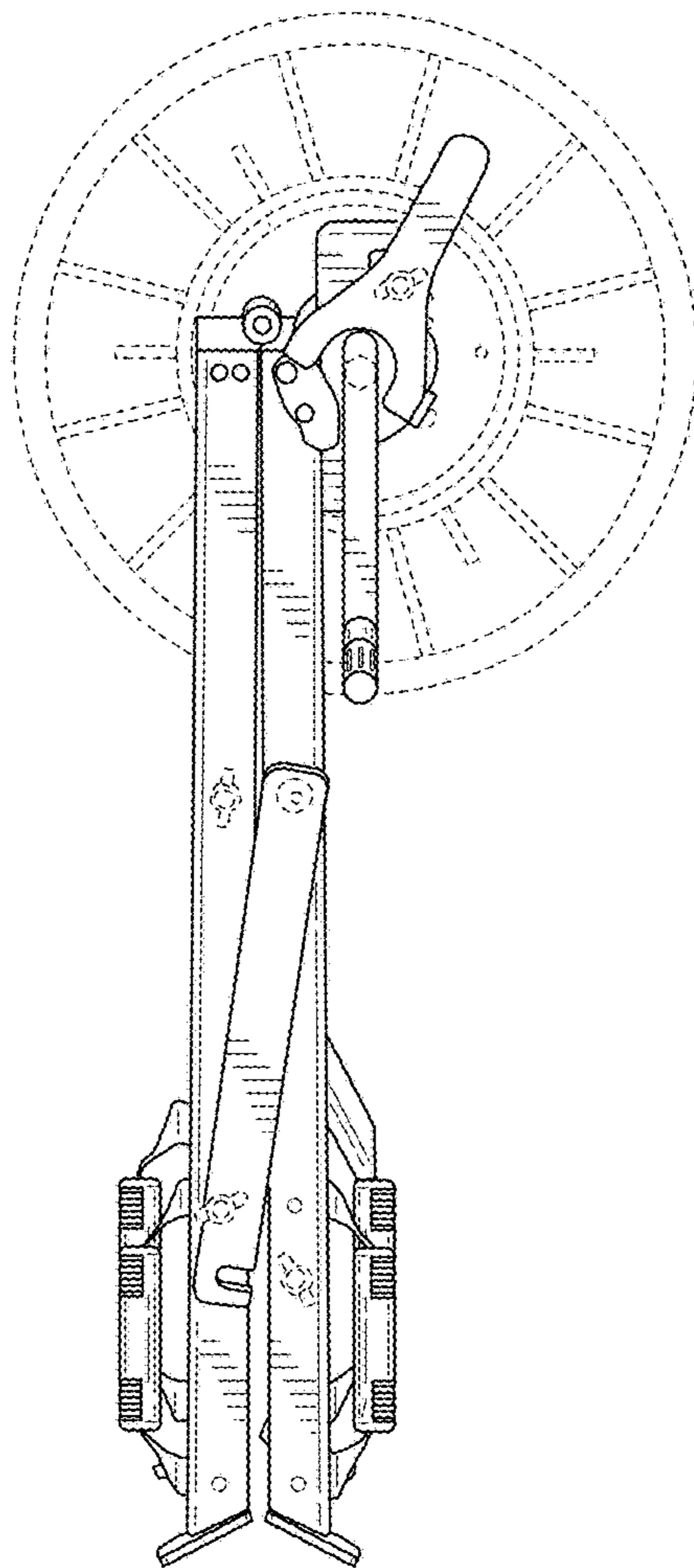


FIG. 18

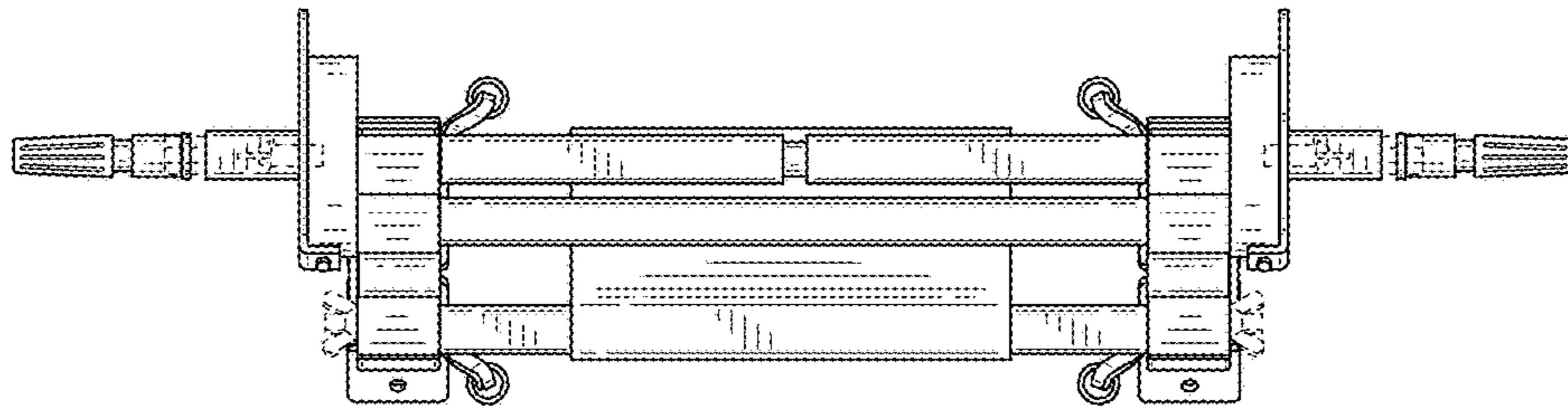


FIG. 19

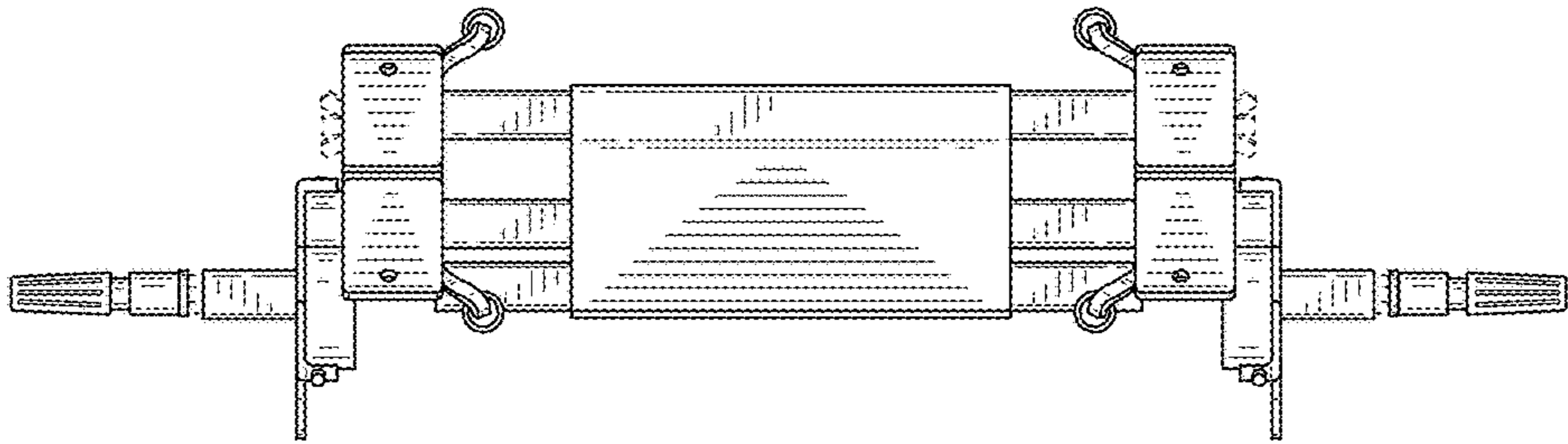


FIG. 20

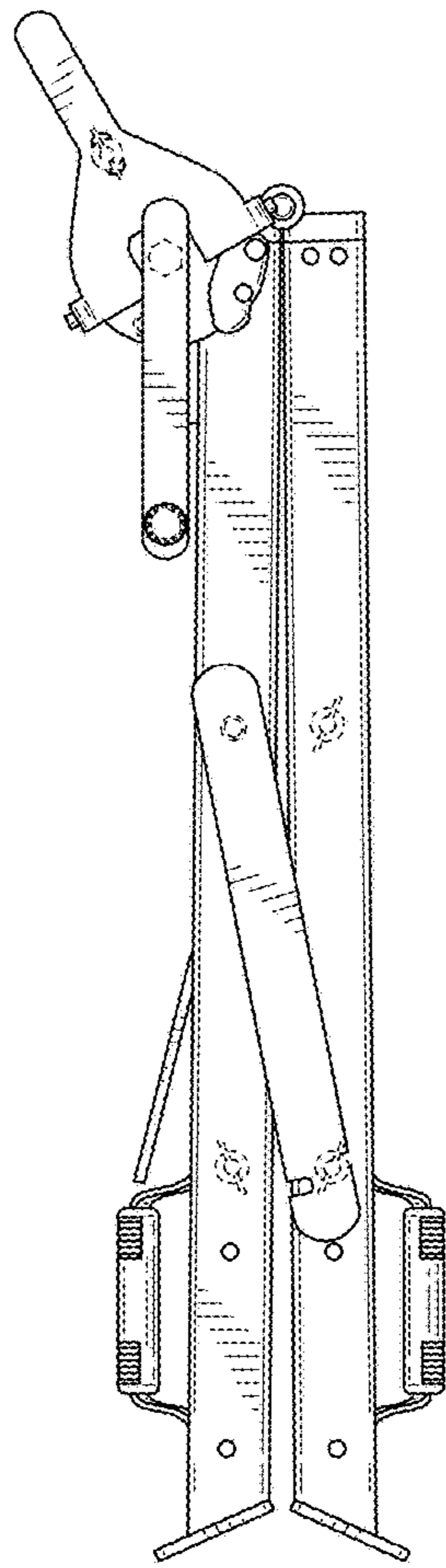


FIG. 21

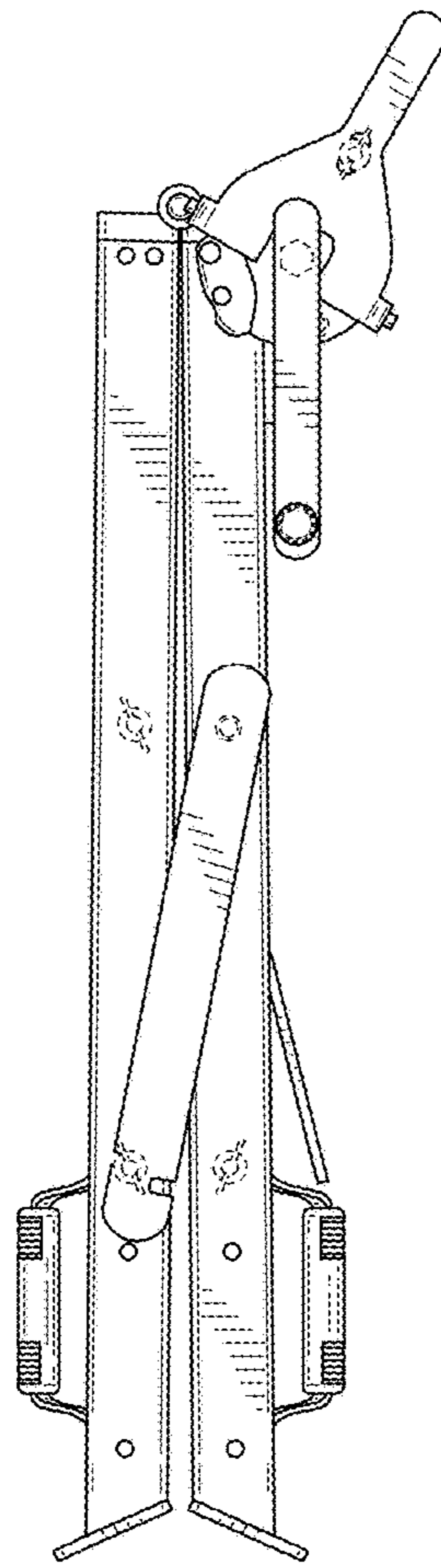


FIG. 22

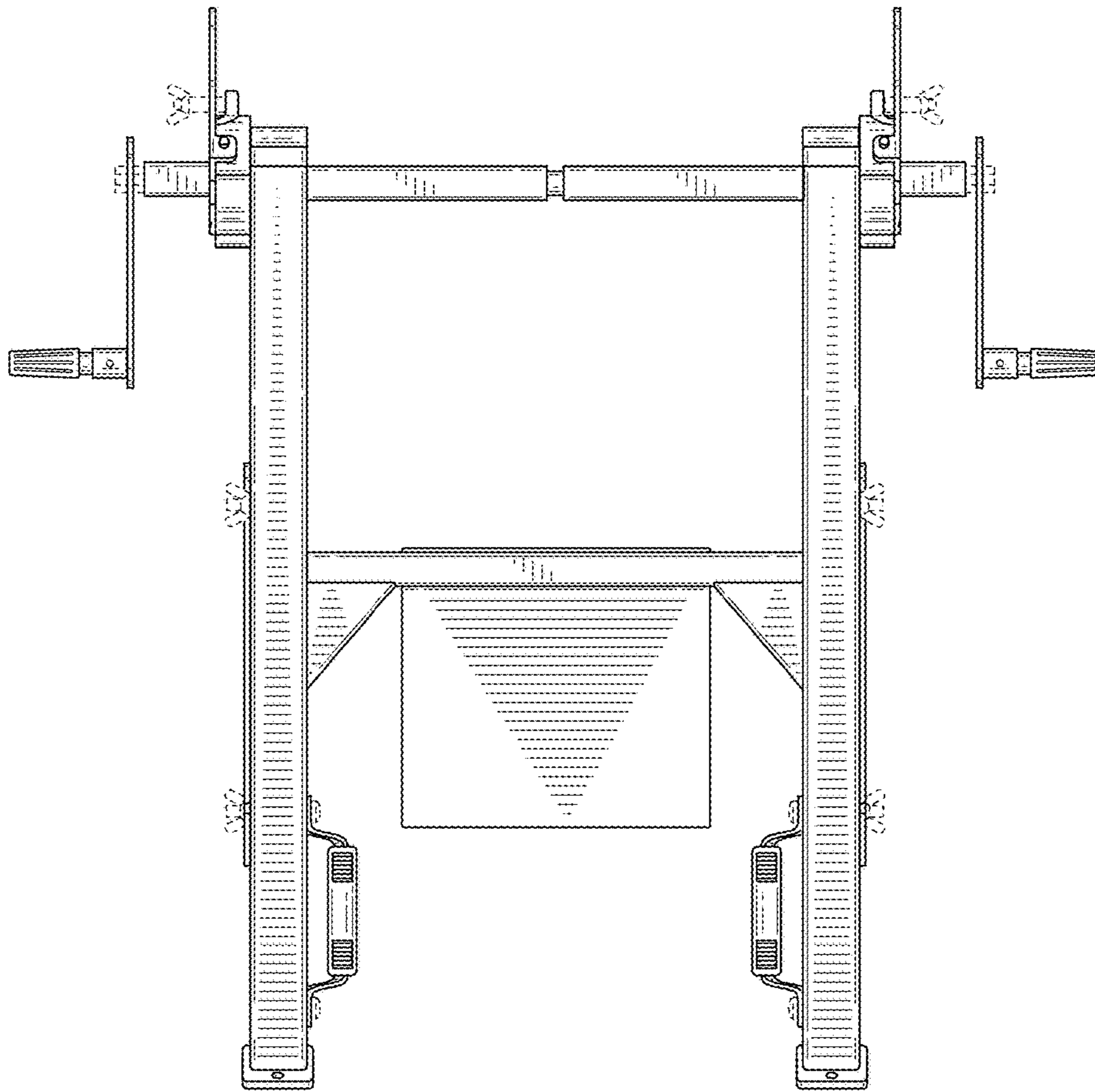


FIG. 23

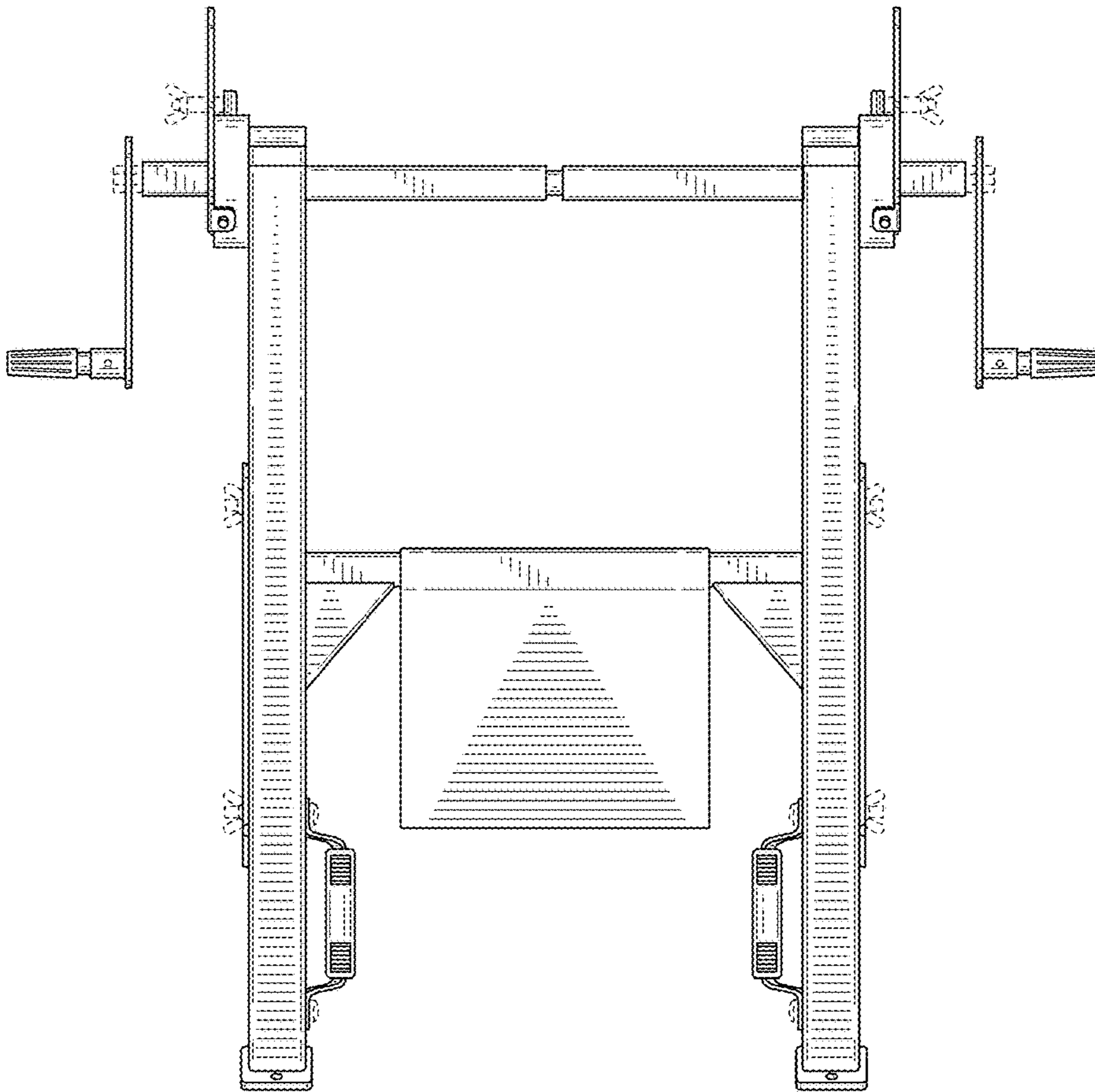


FIG. 24