



US00D801149S

(12) **United States Design Patent**
Wei

(10) **Patent No.:** **US D801,149 S**

(45) **Date of Patent:** **** Oct. 31, 2017**

(54) **HINGE**

(71) Applicant: **Foshan Ideal Co., Ltd.**, Foshan,
Guangdong (CN)

(72) Inventor: **Wuxiang Wei**, Foshan (CN)

(73) Assignee: **Foshan Ideal Co., Ltd.** (CN)

(**) Term: **15 Years**

(21) Appl. No.: **29/566,147**

(22) Filed: **May 27, 2016**

(51) **LOC (10) Cl.** **08-06**

(52) **U.S. Cl.**
USPC **D8/323**

(58) **Field of Classification Search**
USPC D8/323-329, 354, 356; D23/303
CPC E05D 1/00; E05D 3/00; E05D 5/00; E05D
7/00; B29C 31/00; E05Y 2201/00; F16C
1/00; F16C 3/00; F16C 9/00
See application file for complete search history.

(56) **References Cited**

U.S. PATENT DOCUMENTS

D371,950 S * 7/1996 Ressegger D8/323
D395,590 S * 6/1998 Finkelstein D8/323

D688,121 S * 8/2013 Hobson D8/356
D688,548 S * 8/2013 Hobson D8/356
D719,809 S * 12/2014 Mitchell D8/323
D719,811 S * 12/2014 Cooper D8/323
9,140,045 B1 * 9/2015 Finkelstein E05D 7/04
D747,949 S * 1/2016 Lindo D8/323
2011/0308041 A1 * 12/2011 Le E05D 3/022
16/248

* cited by examiner

Primary Examiner — John Windmuller

Assistant Examiner — Benjamin Weeks

(74) *Attorney, Agent, or Firm* — Lerner, David,
Littenberg, Krumholz & Mentlik, LLP

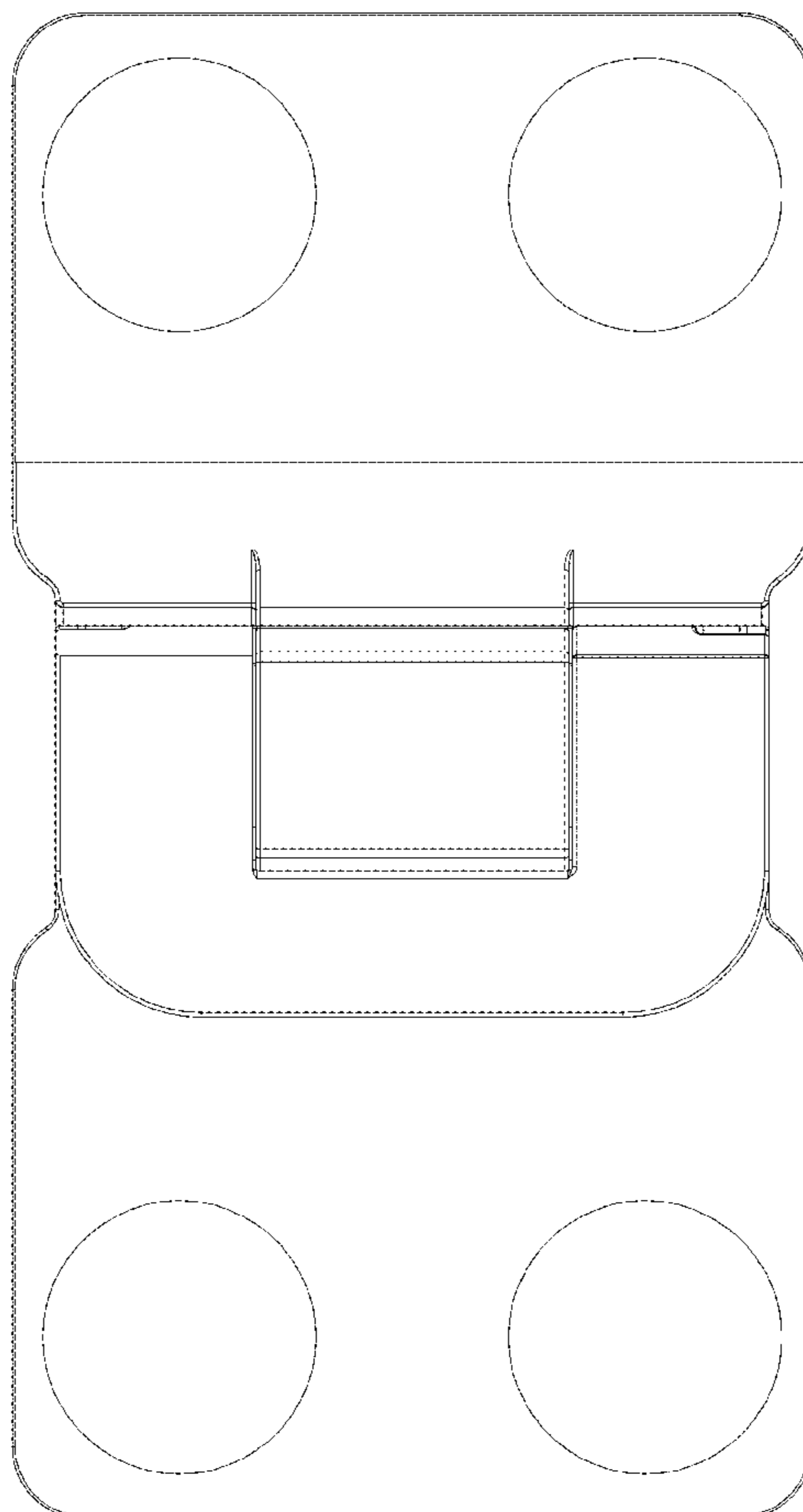
(57) **CLAIM**

The ornamental designs for a hinge, as shown and described.

DESCRIPTION

FIG. 1 is a front view of the hinge,
FIG. 2 is a rear view thereof;
FIG. 3 is a left side view thereof;
FIG. 4 is a right side view thereof;
FIG. 5 is a top plan view thereof;
FIG. 6 is a bottom view thereof; and,
FIG. 7 is a perspective view thereof.

1 Claim, 7 Drawing Sheets



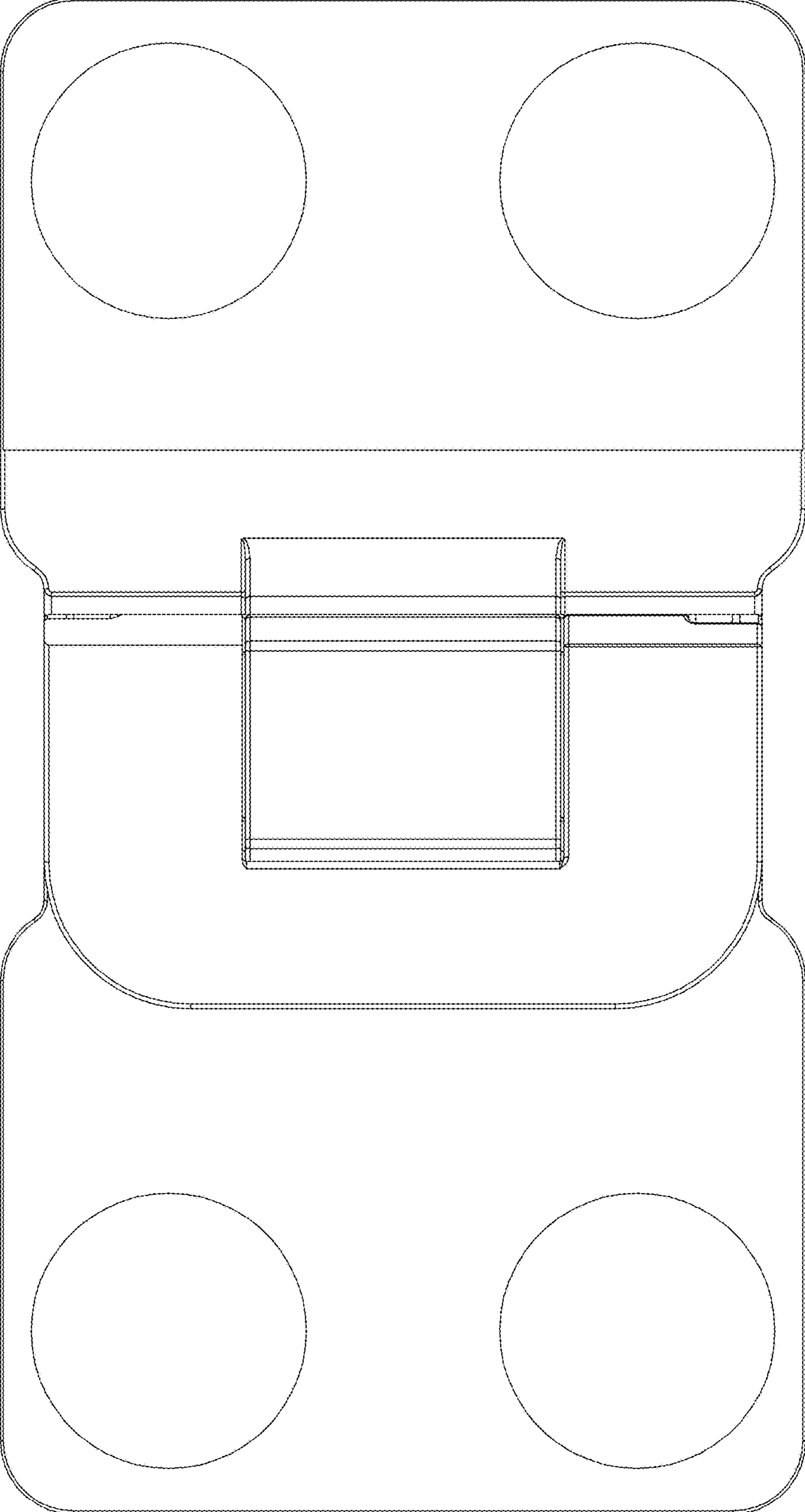


FIG. 1

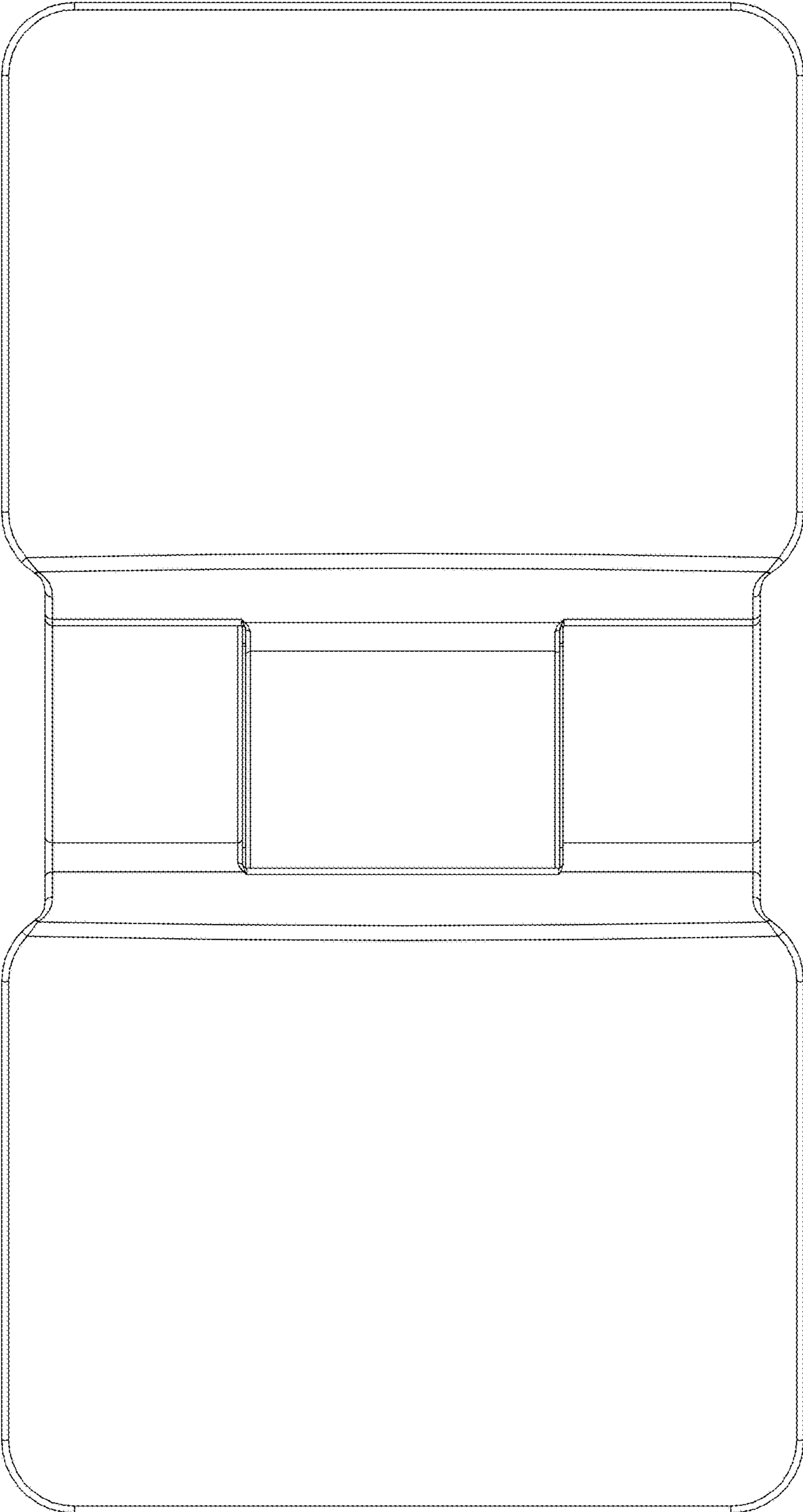


FIG. 2

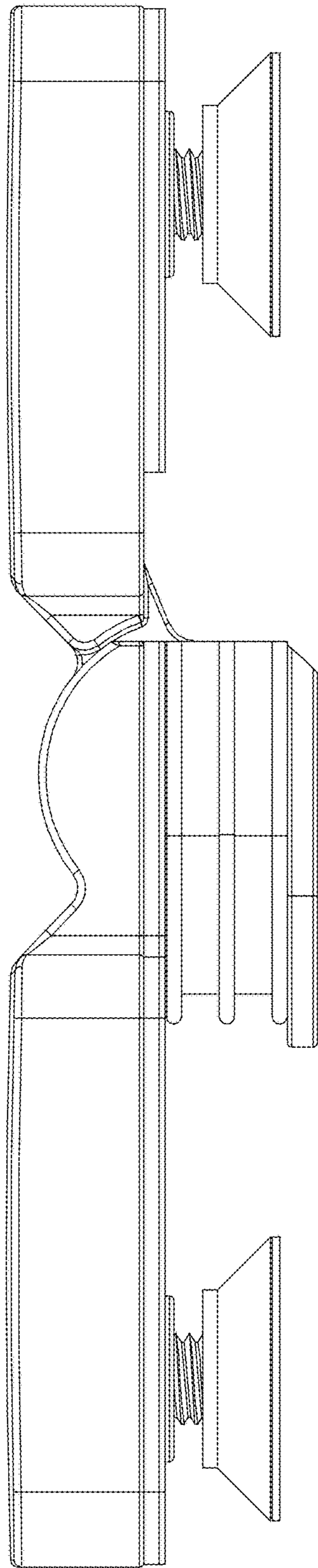


FIG. 3

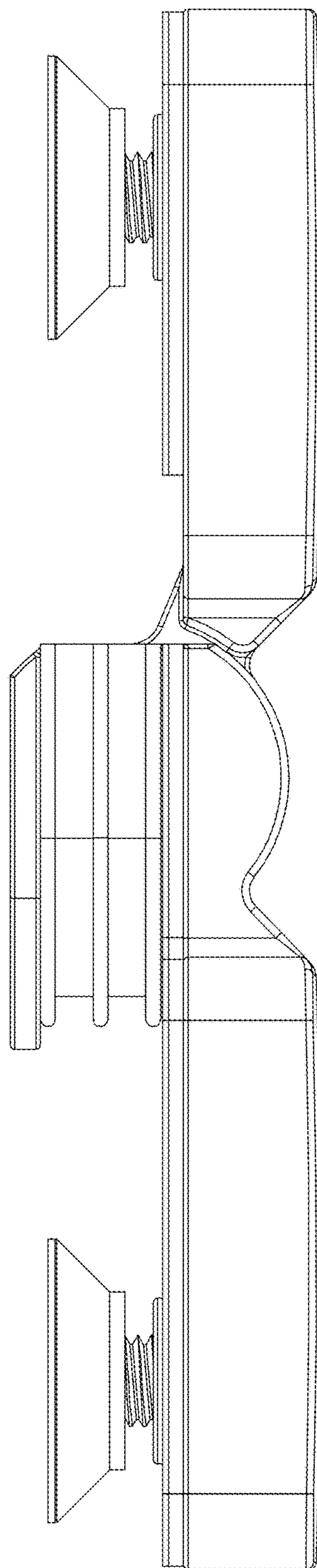


FIG. 4

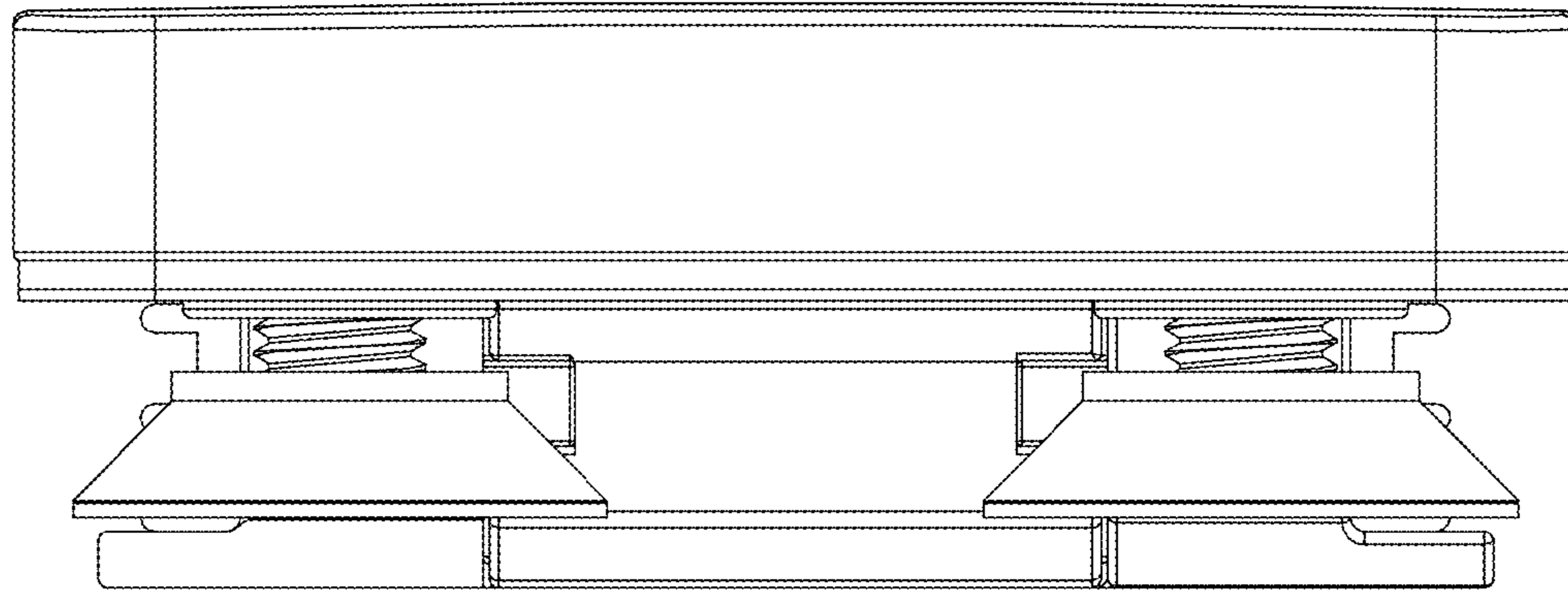


FIG. 5

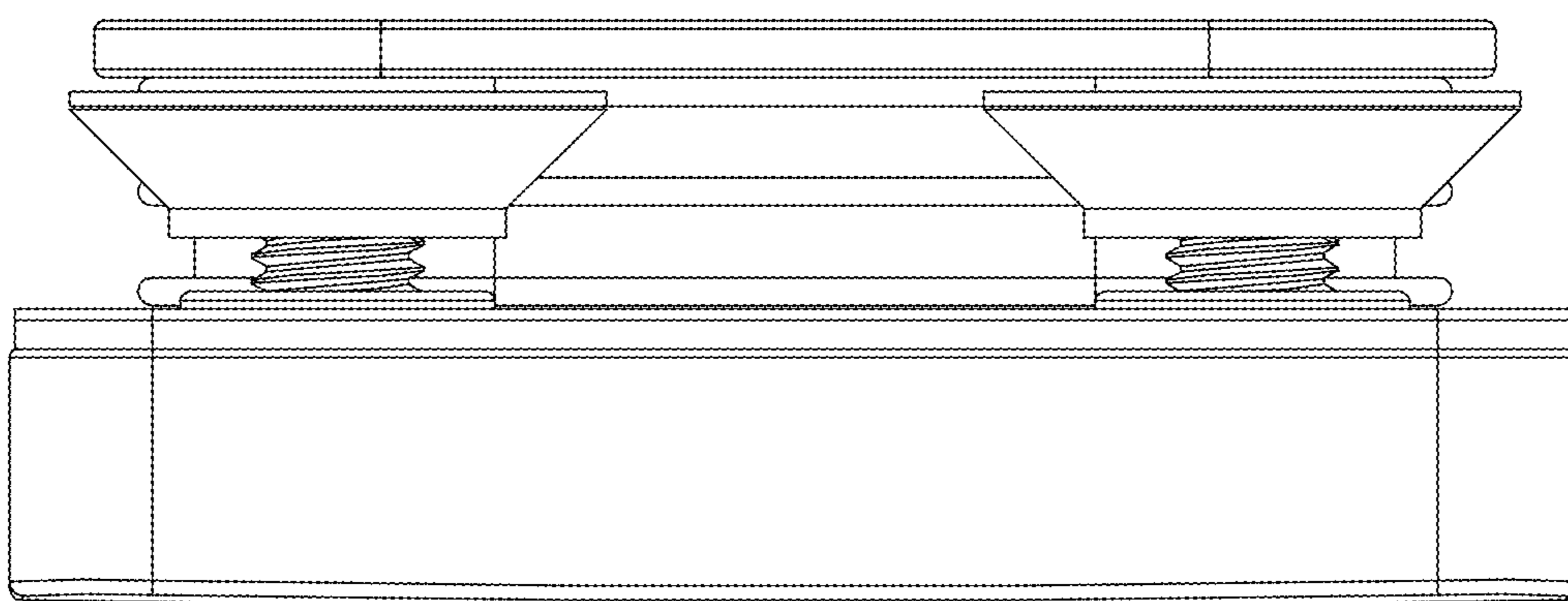


FIG. 6

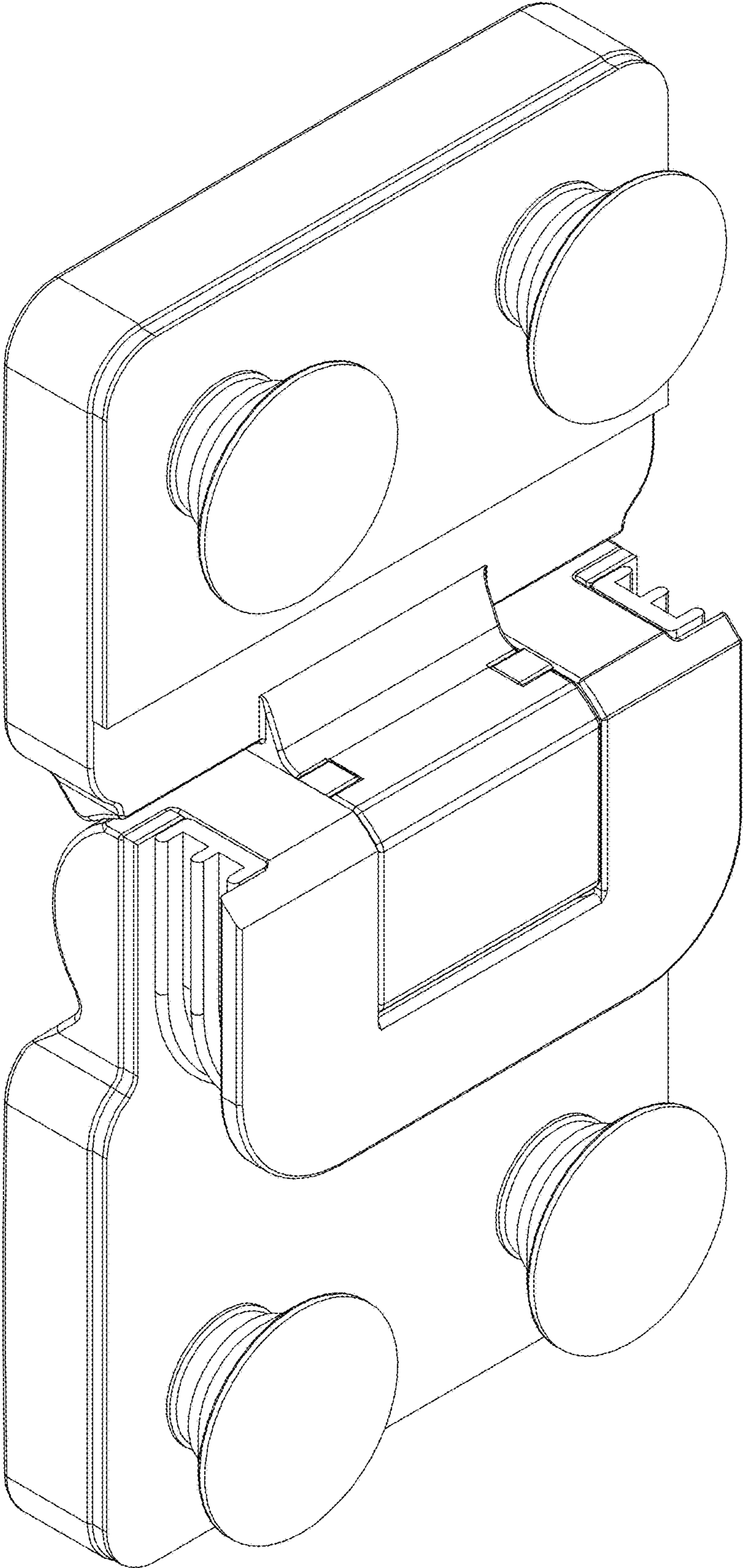


FIG. 7