



US00D801145S

(12) **United States Design Patent** (10) **Patent No.:** **US D801,145 S**
Aoki et al. (45) **Date of Patent:** **** Oct. 31, 2017**

(54) **NAILER**
 (71) Applicant: **Hitachi Koki Co., Ltd.**, Minato-Ku,
 Tokyo (JP)

D699,535 S * 2/2014 Albrecht D8/68
 D713,704 S * 9/2014 Wang D8/68
 D724,404 S * 3/2015 Fischer-Zernin D8/68
 (Continued)

(72) Inventors: **Yoshiki Aoki**, Hitachinaka (JP); **Masato Sakai**, Hitachinaka (JP)

OTHER PUBLICATIONS

Jul. 27, 2016—JP Office Action—Des App 2015026164.
 (Continued)

(73) Assignee: **Hitachi Koki Co., Ltd.**, Minato-Ku,
 Tokyo (JP)

Primary Examiner — Darlington Ly
 (74) *Attorney, Agent, or Firm* — Banner & Witcoff, Ltd.

(**) Term: **15 Years**

(21) Appl. No.: **29/565,711**

(57) **CLAIM**

The ornamental design for a nailer, as shown and described.

(22) Filed: **May 24, 2016**

(30) **Foreign Application Priority Data**

DESCRIPTION

Nov. 24, 2015 (JP) 2015-026164

(51) **LOC (10) Cl.** **08-05**

(52) **U.S. Cl.**
 USPC **D8/68**

(58) **Field of Classification Search**
 USPC D8/61-70
 CPC .. B25C 1/001; B25C 1/04; B25C 1/06; B25C
 1/041; B25C 1/047

See application file for complete search history.

FIG. 1 is a front perspective view of the nailer according to the first embodiment showing our new design;
 FIG. 2 is a front view thereof;
 FIG. 3 is a rear view thereof;
 FIG. 4 is a left side view thereof;
 FIG. 5 is a right side view thereof;
 FIG. 6 is a top view thereof;
 FIG. 7 is a bottom view thereof;
 FIG. 8 is a front perspective view of the nailer according to the second embodiment showing our new design;
 FIG. 9 is a front view thereof;
 FIG. 10 is a rear view thereof;
 FIG. 11 is a left side view thereof;
 FIG. 12 is a right side view thereof;
 FIG. 13 is a top view thereof; and,
 FIG. 14 is a bottom view thereof.

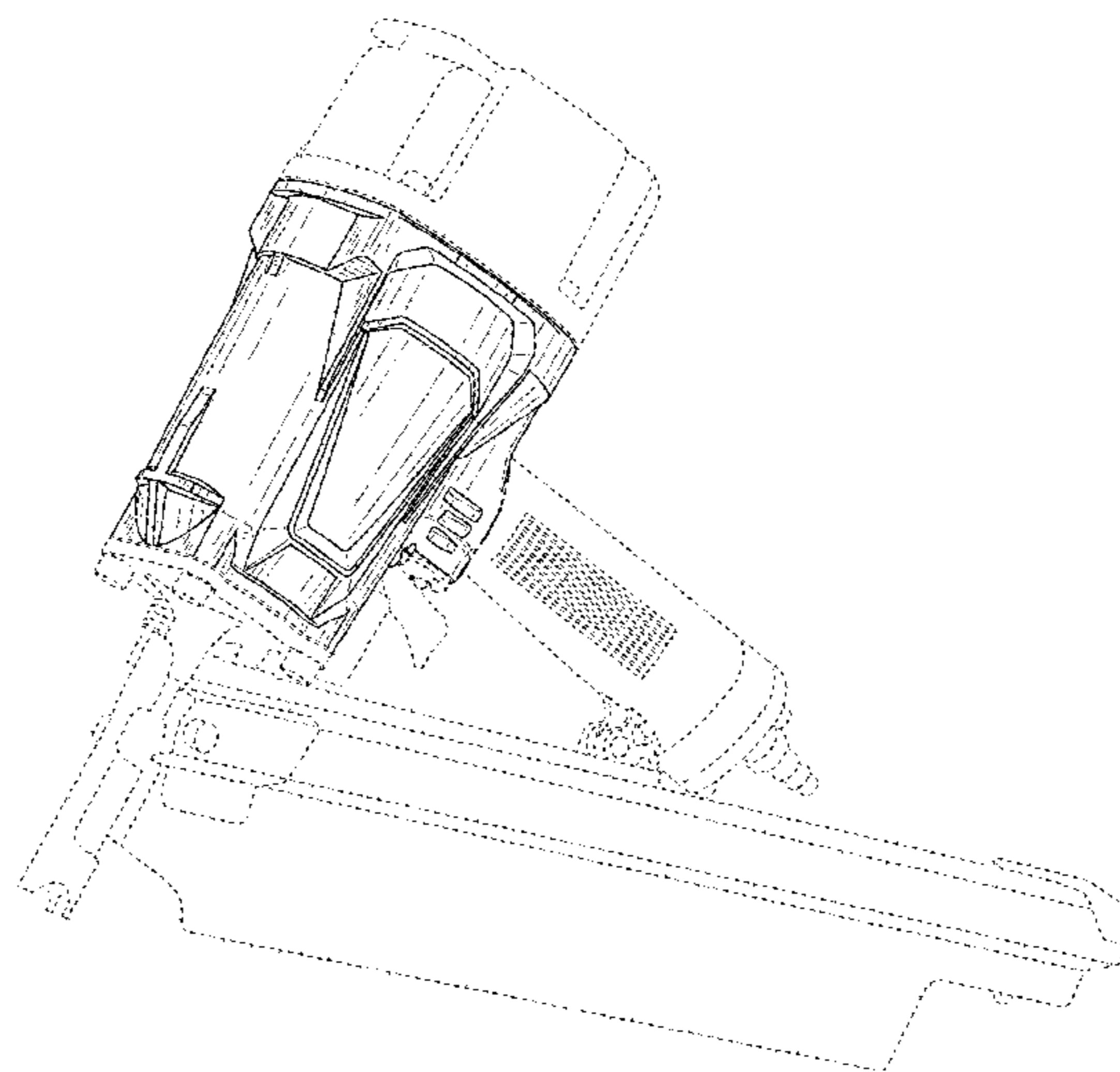
(56) **References Cited**

U.S. PATENT DOCUMENTS

D353,664 S * 12/1994 Eminger D8/69
 D483,240 S * 12/2003 Garvis D8/68
 D484,383 S * 12/2003 Yang D8/68
 D484,765 S * 1/2004 Yang D8/68
 D500,655 S * 1/2005 Leasure D8/69
 6,913,180 B2 * 7/2005 Schuster B25C 1/005
 227/109
 D512,620 S * 12/2005 Thomas D8/69
 D514,911 S * 2/2006 Thomas D8/69
 D532,668 S * 11/2006 Wen D8/69
 D660,122 S * 5/2012 Hotta D8/69

The even broken lines in the drawings illustrate portions of the nailer; whereas the dash-dot broken lines is a symbolic representation for a boundary of the claim. Neither the portions of the nailer in broken lines and the boundary in dash-dot broken lines form part of the claimed design.

1 Claim, 10 Drawing Sheets



(56)

References Cited

U.S. PATENT DOCUMENTS

D787,290 S * 5/2017 Meyer D8/68
2005/0001007 A1* 1/2005 Butzen B25C 1/005
227/130
2012/0292472 A1* 11/2012 Segura B25F 5/02
248/225.21

OTHER PUBLICATIONS

<https://www.amazon.com/Hitachi-NR83A3-Plastic-Collated-Framing/dp/B00FKAC9K4>, retrieved on Nov. 21, 2016 but publicly known prior to the date of filing of the present application.

* cited by examiner

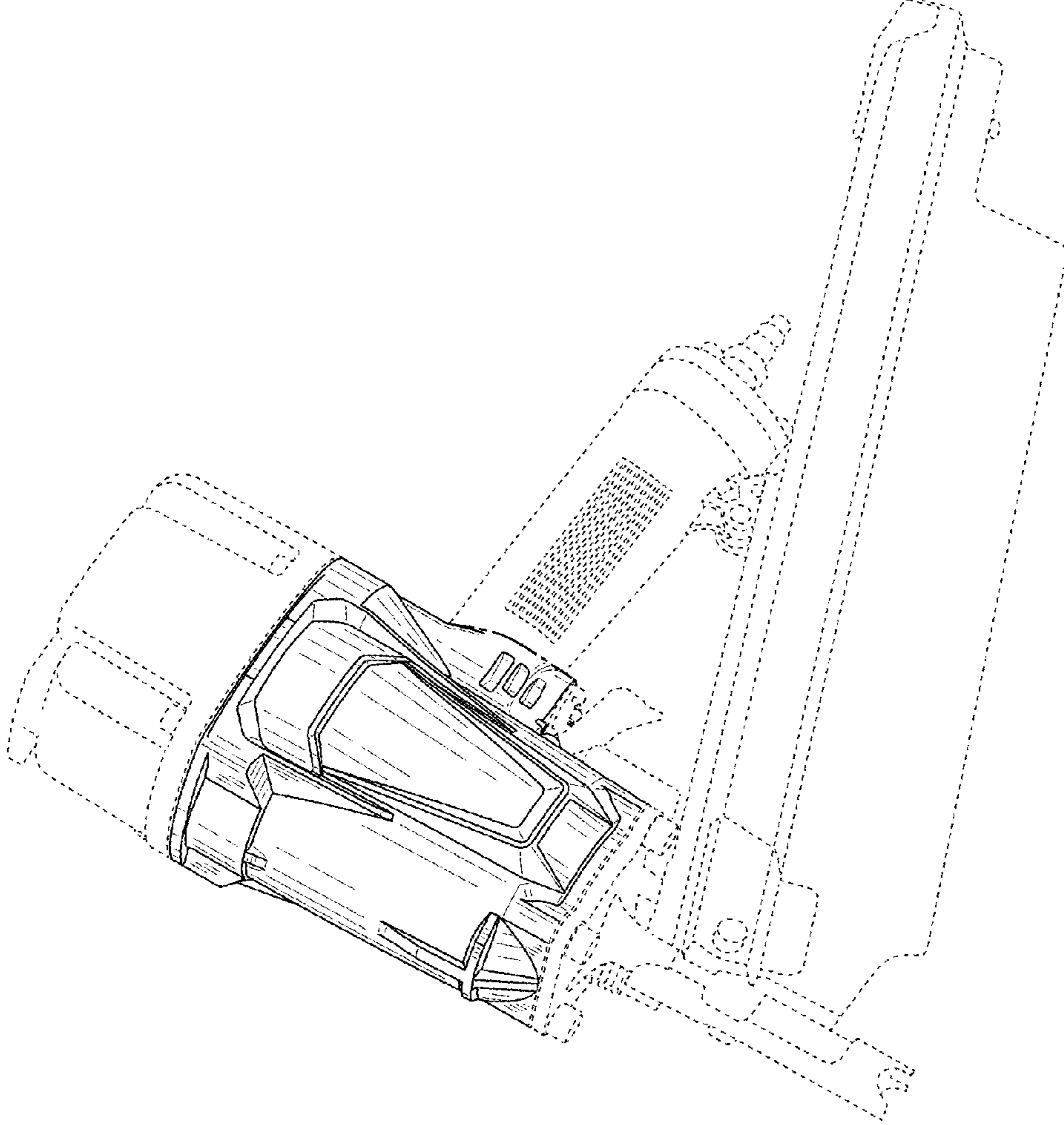


FIG. 1

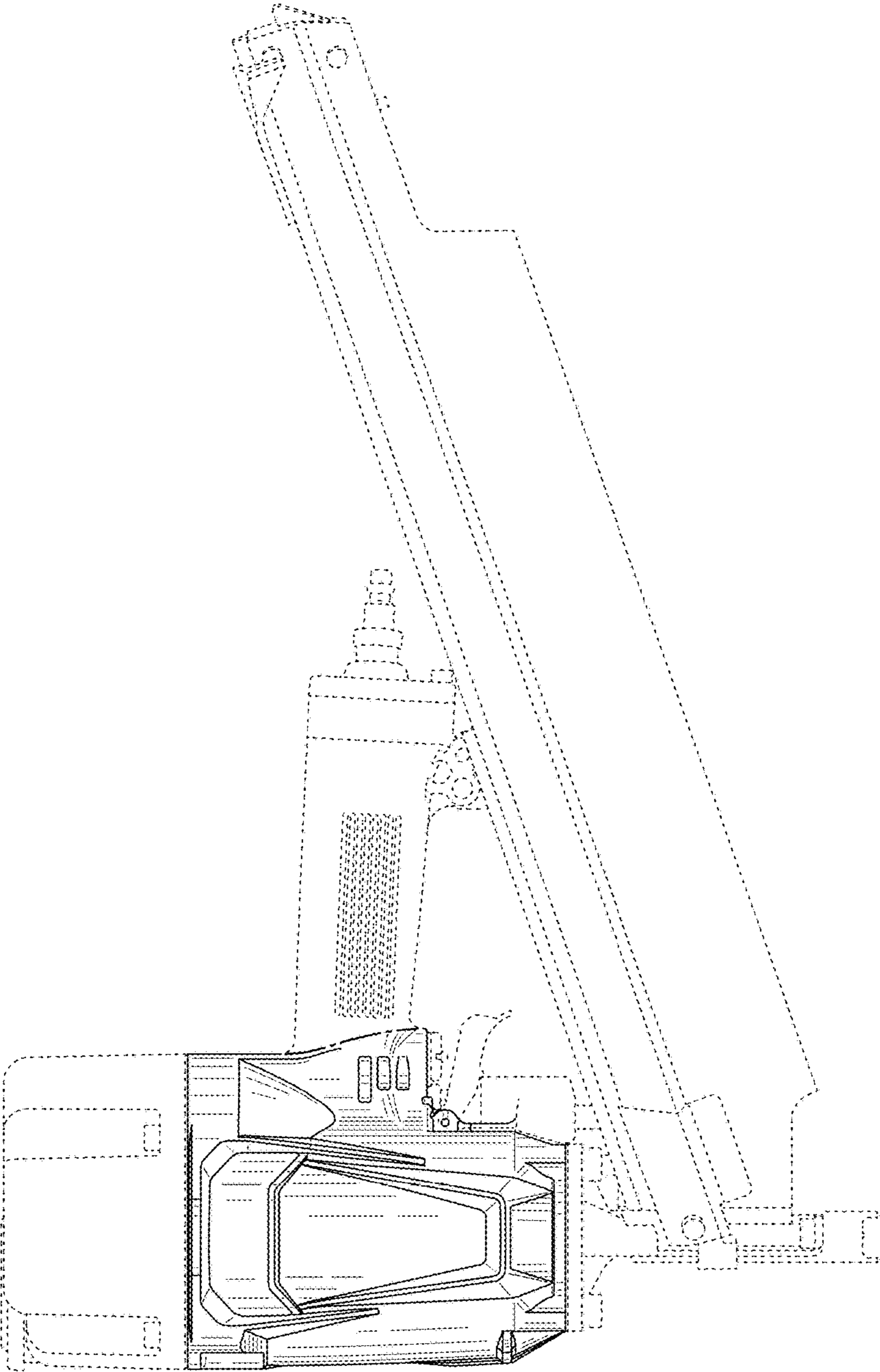


FIG. 2

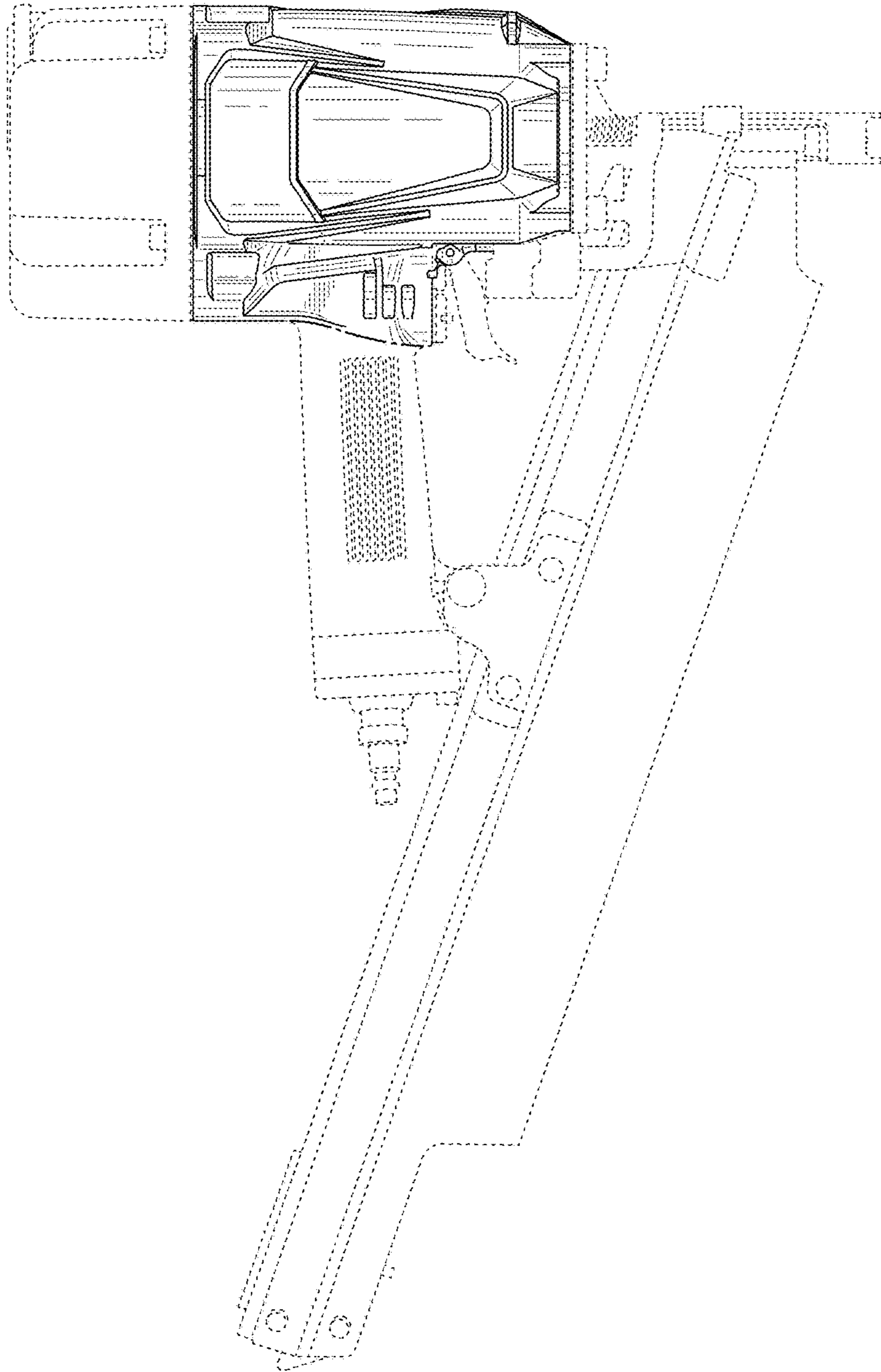


FIG. 3

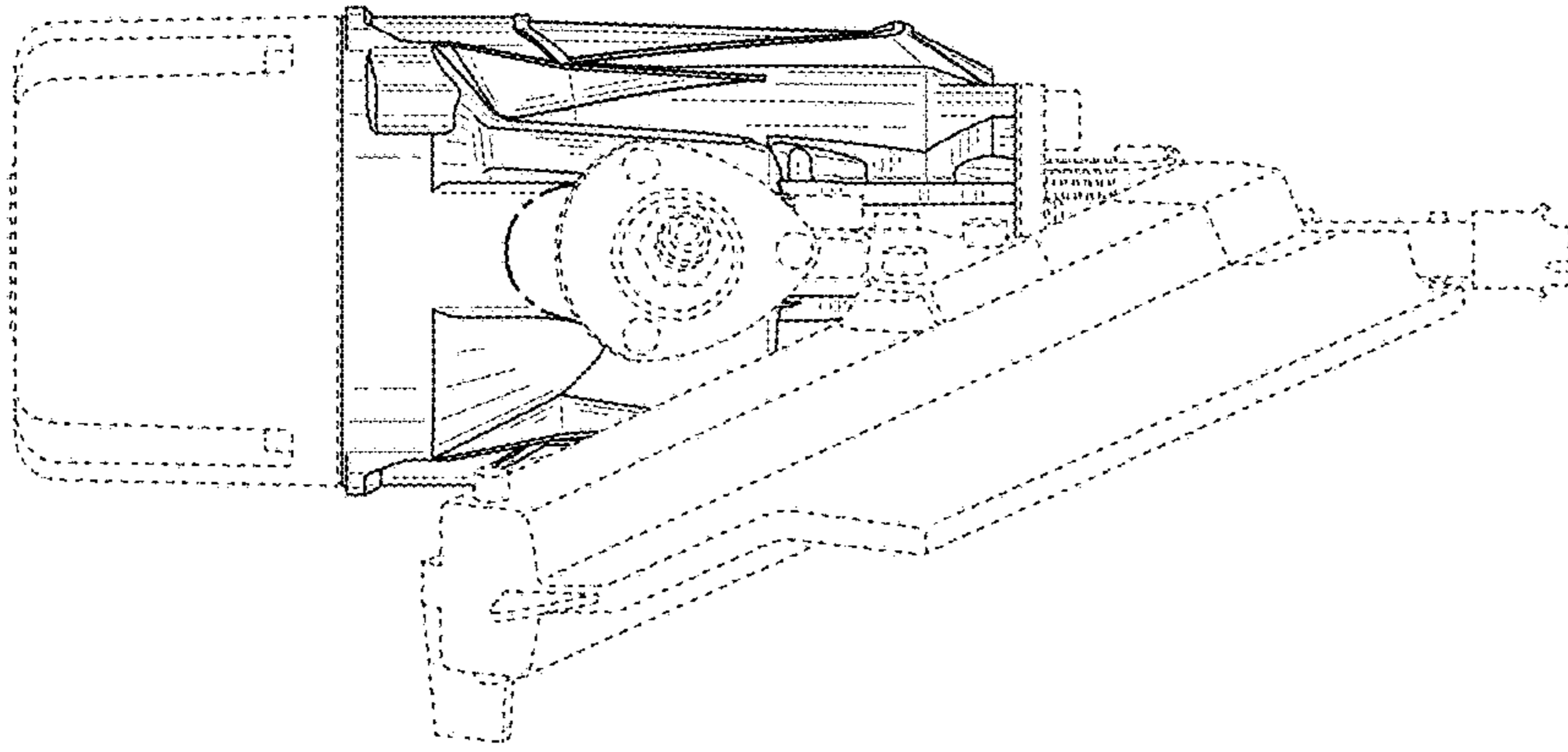


FIG. 5

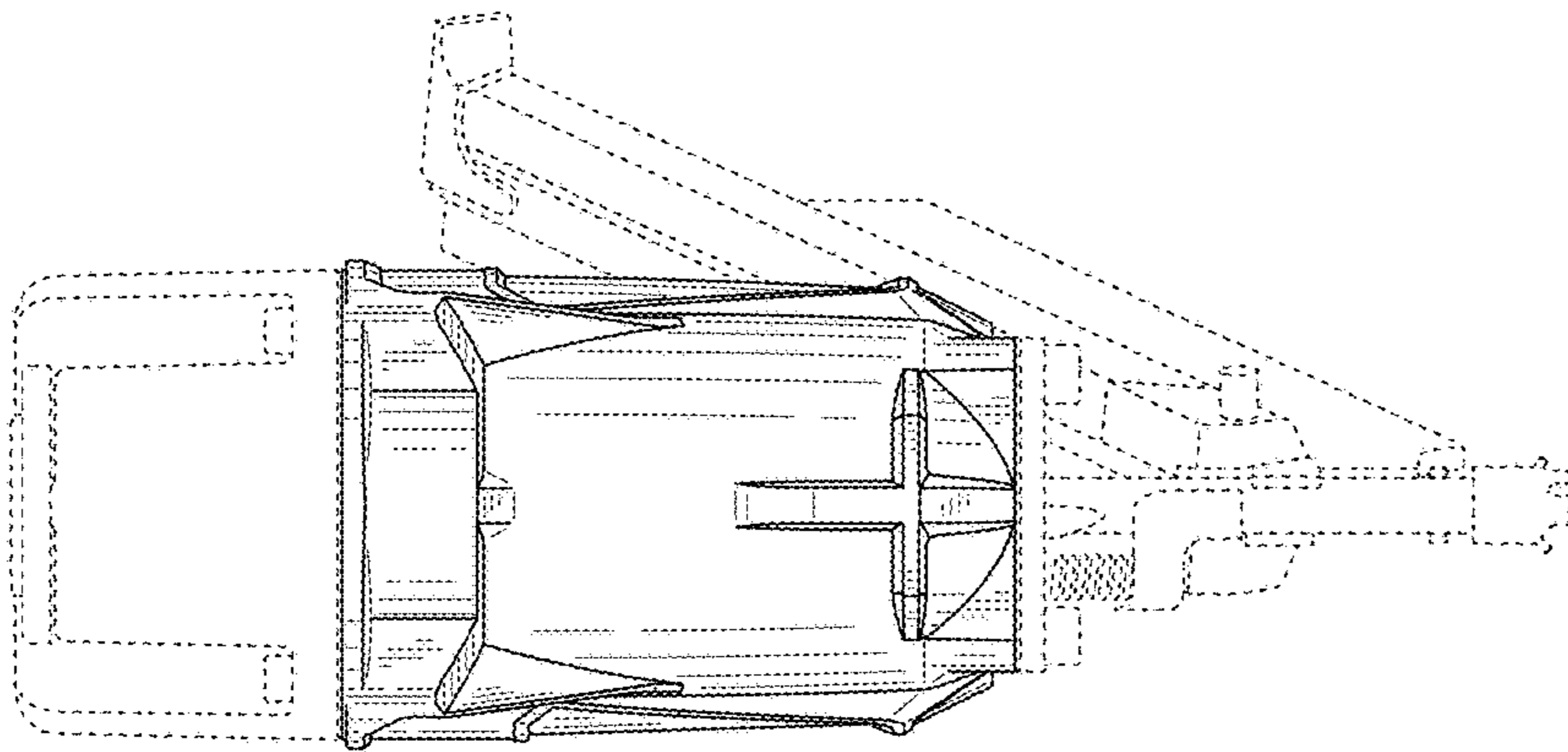


FIG. 4

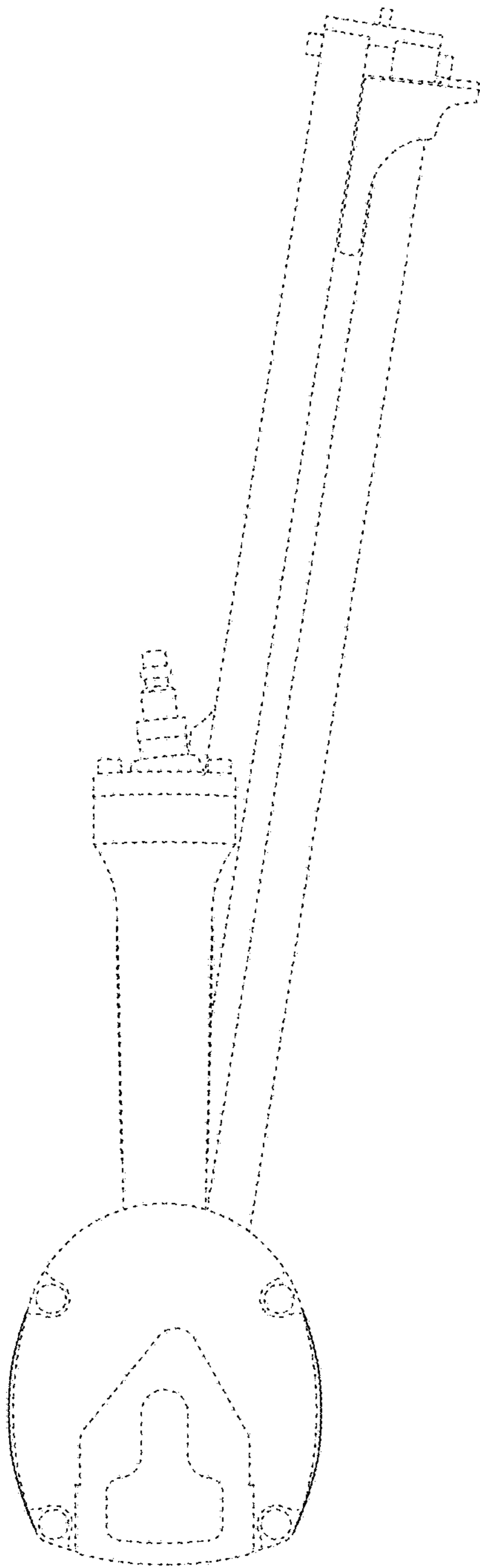


FIG. 6

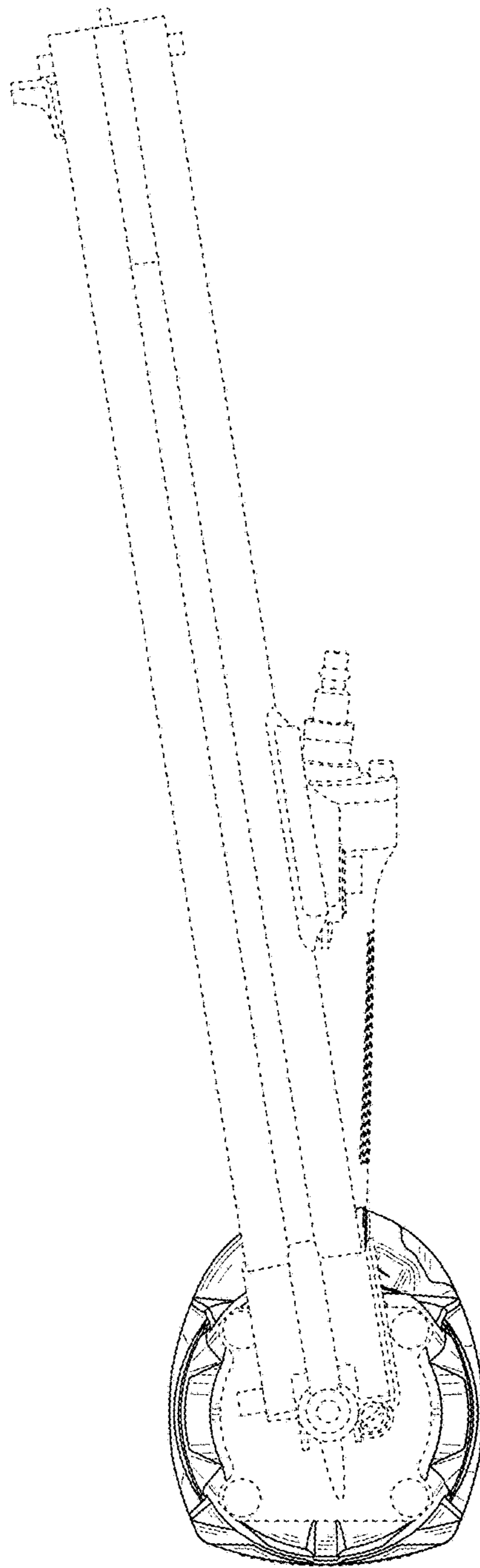


FIG. 7

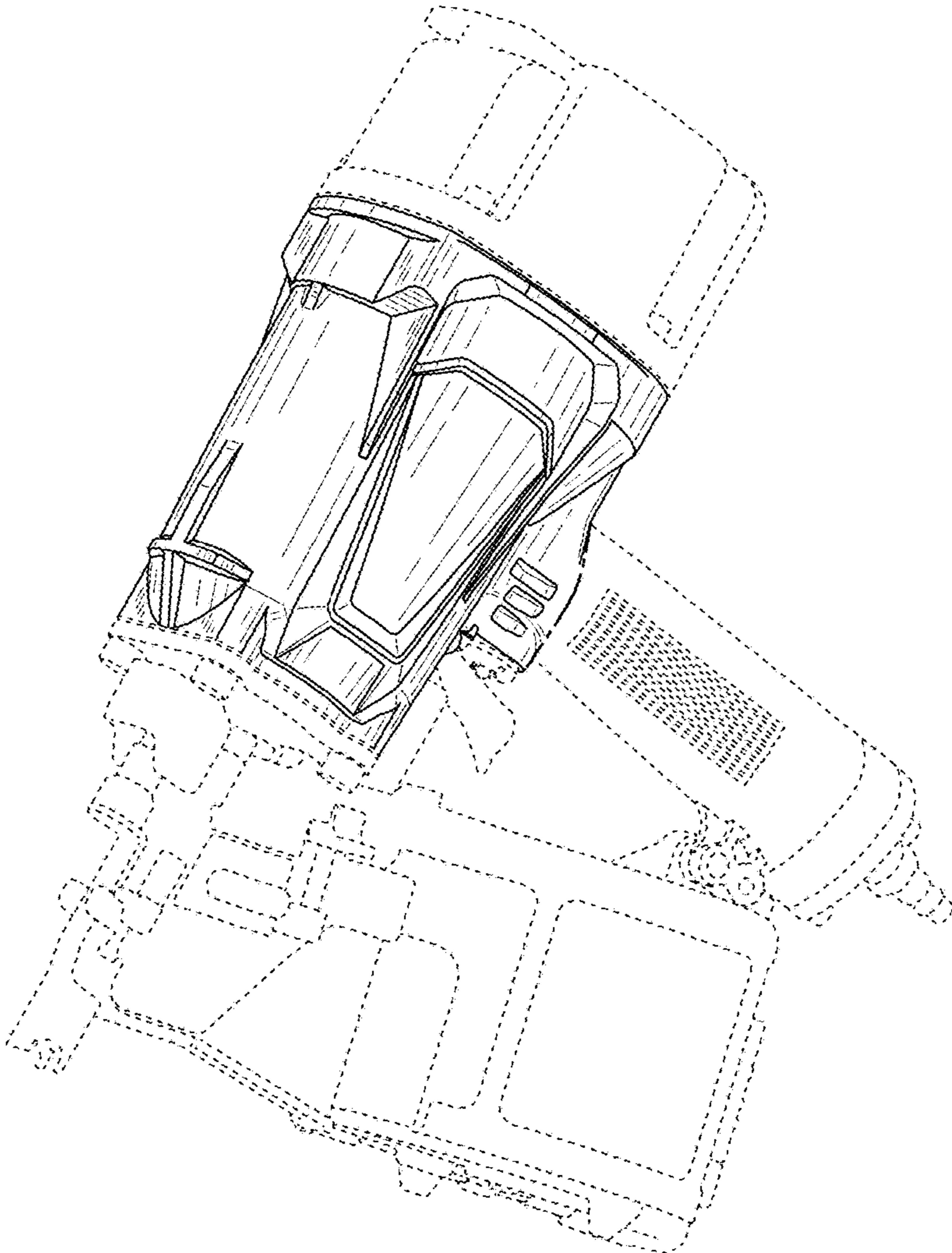


FIG. 8

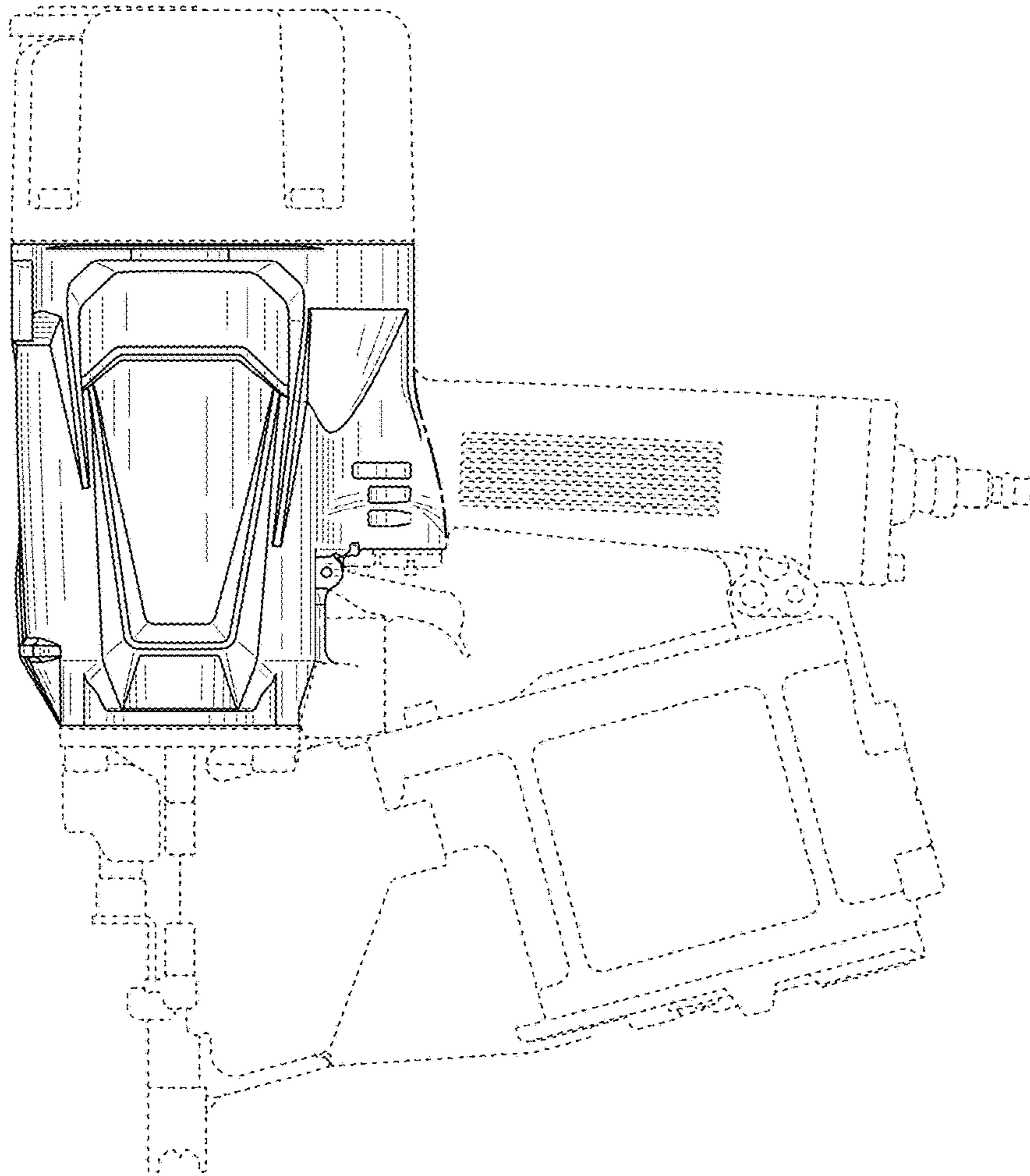


FIG. 9

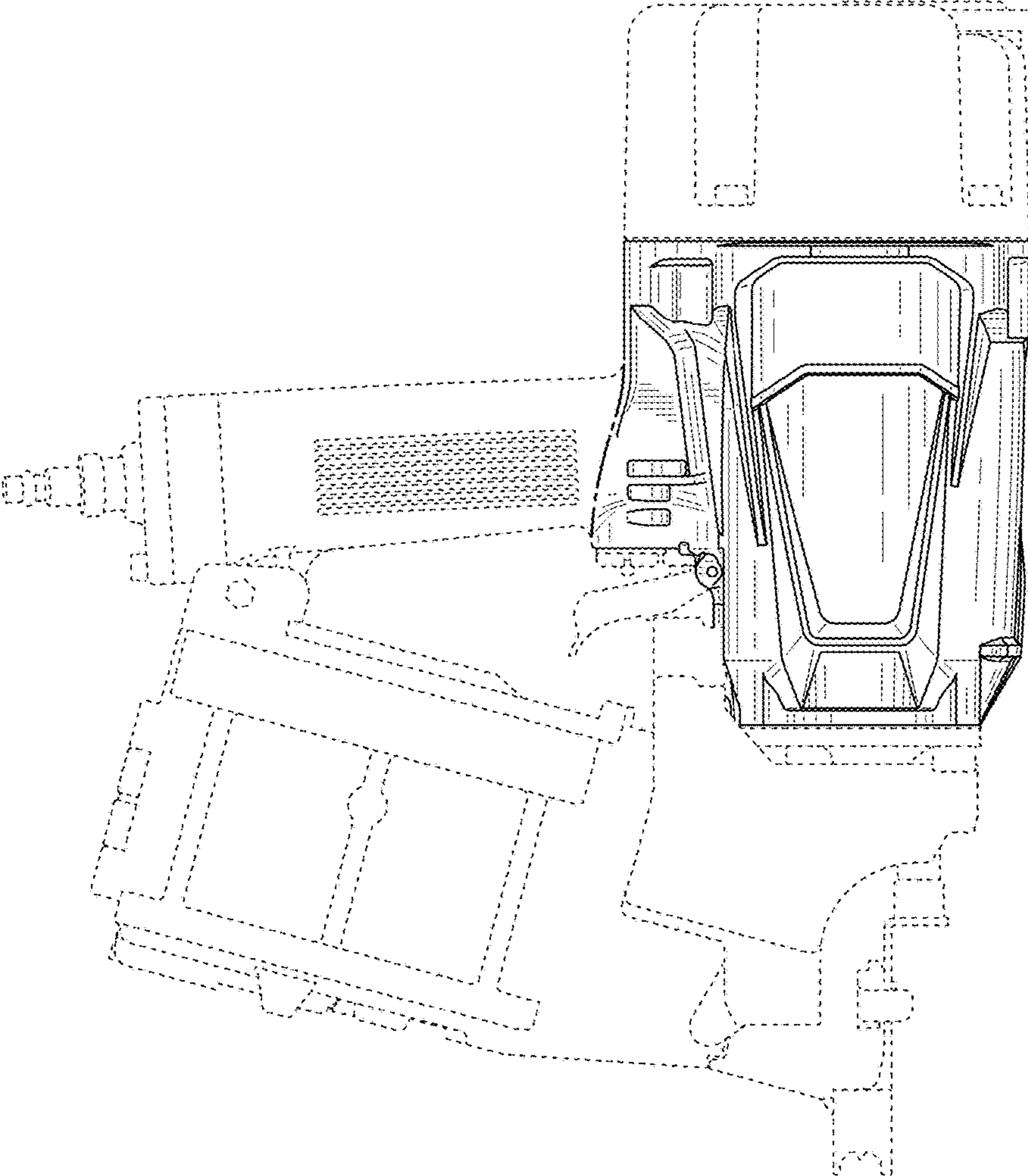


FIG. 10

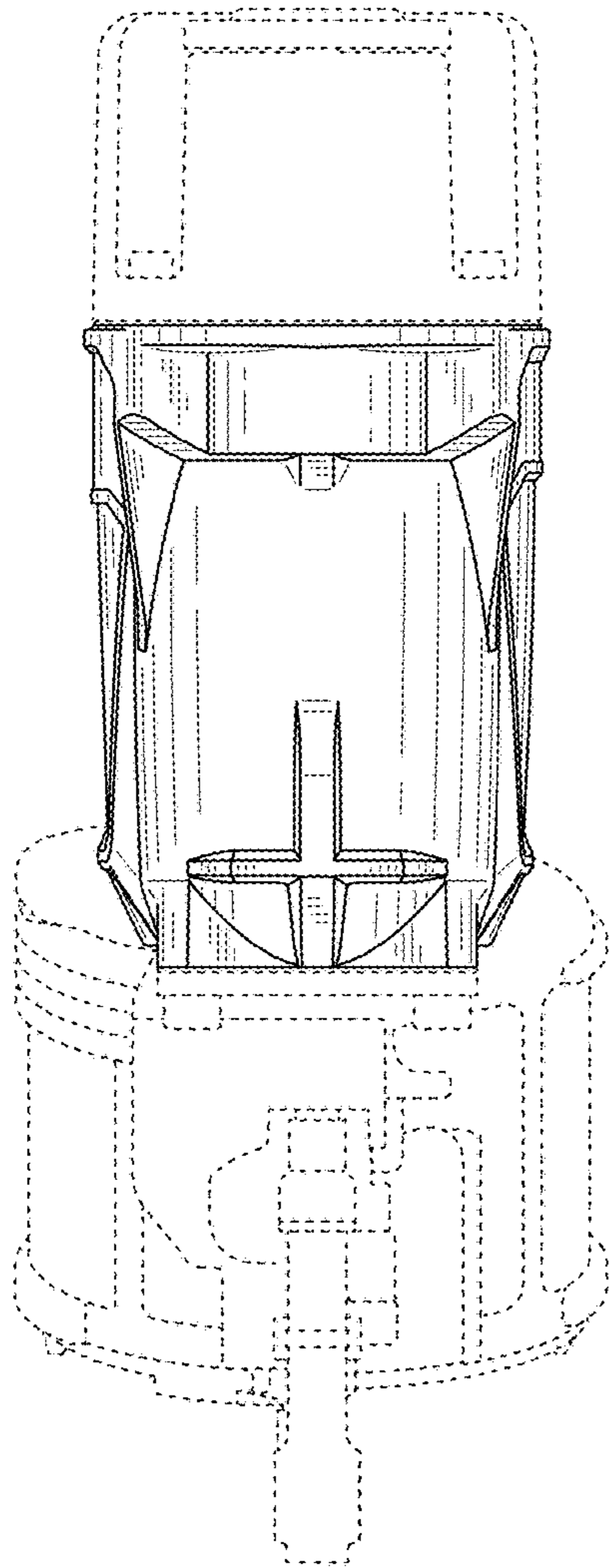


FIG. 11

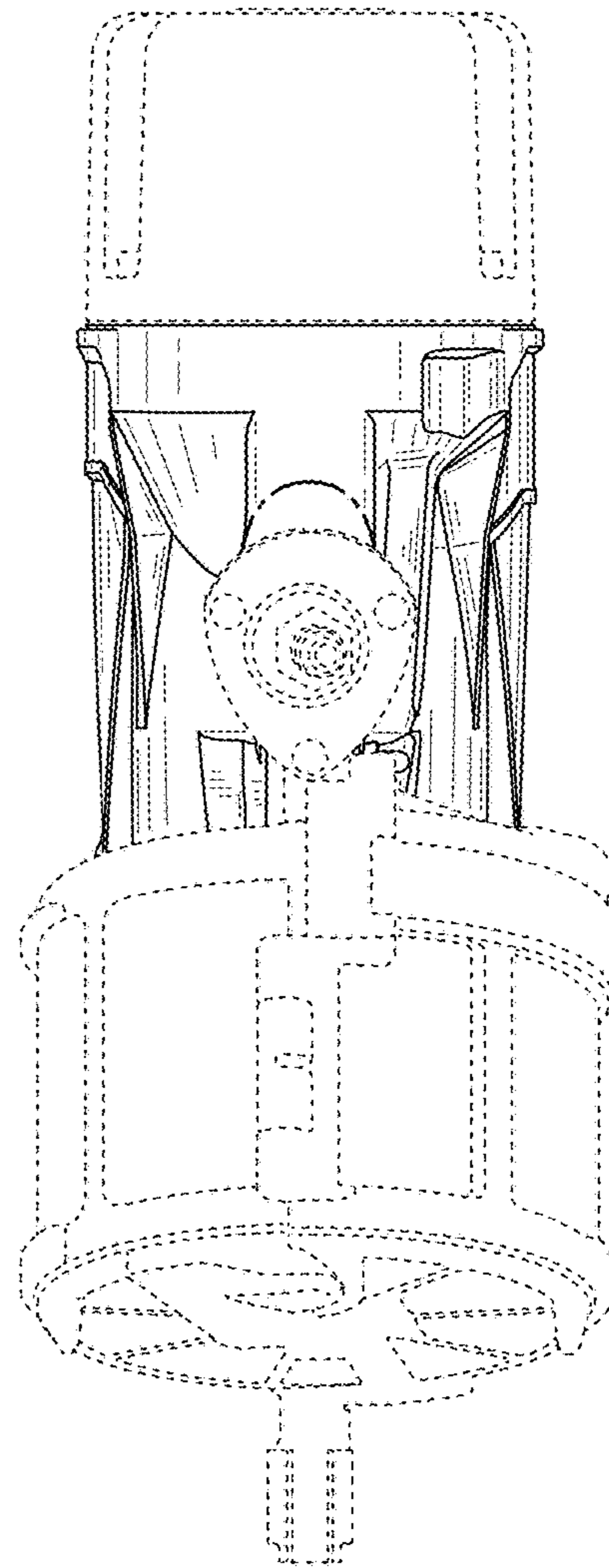


FIG. 12

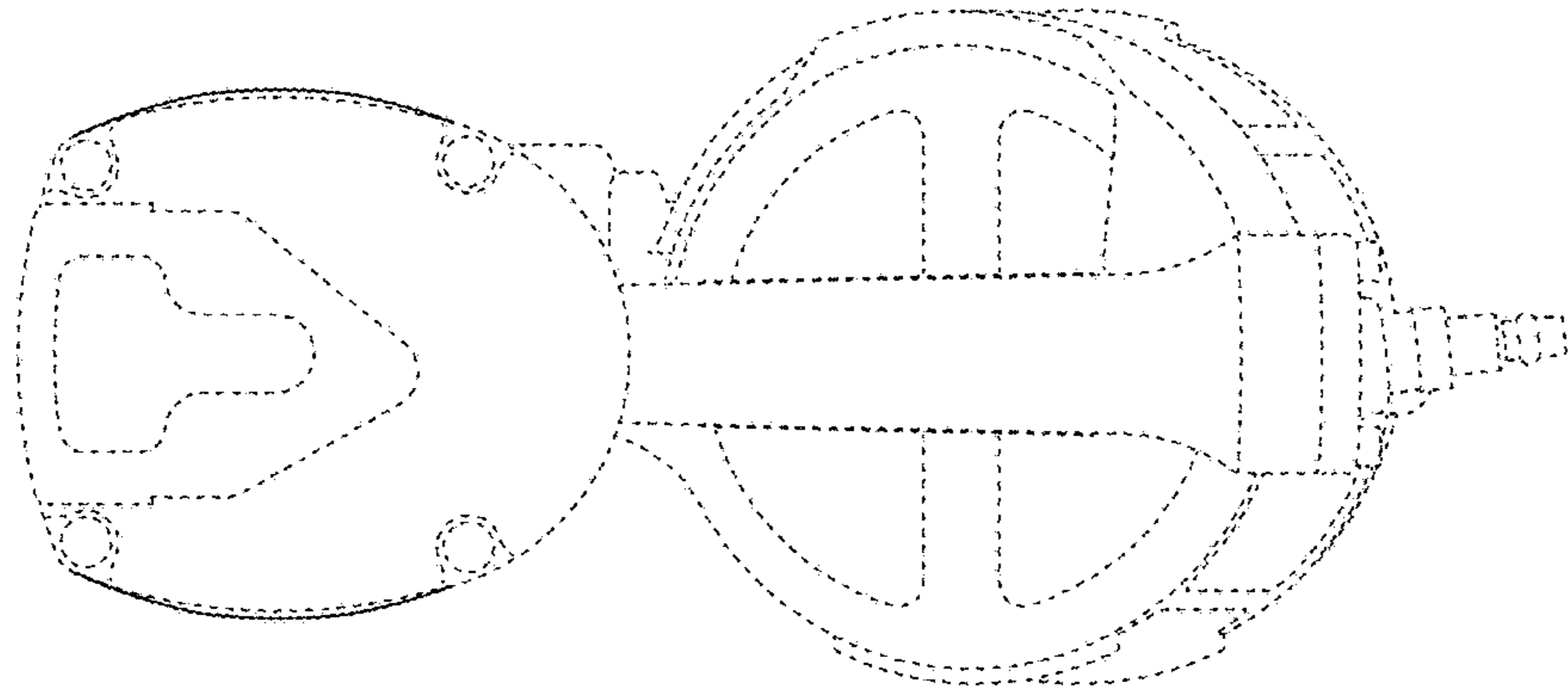


FIG. 13

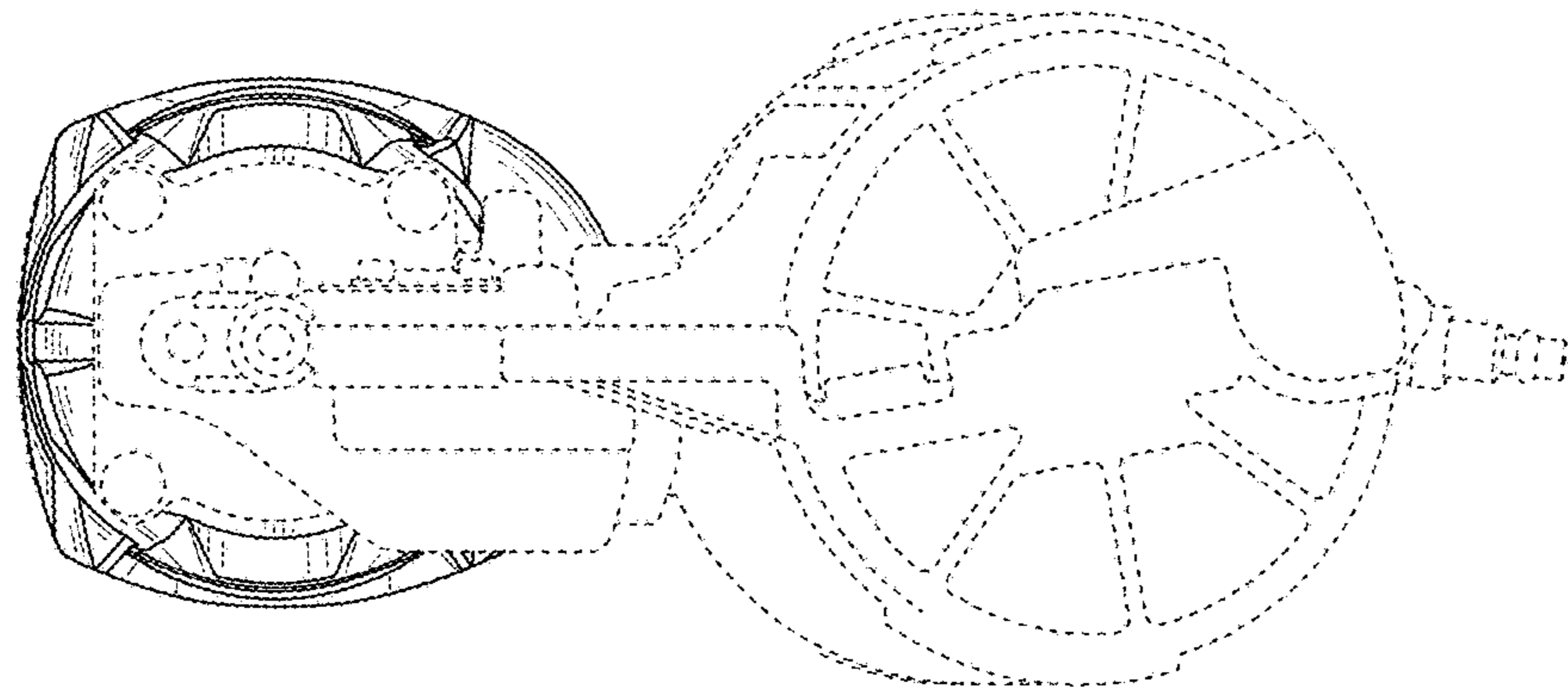


FIG. 14