



US00D801144S

(12) **United States Design Patent**
Di Iulio et al.

(10) **Patent No.:** **US D801,144 S**

(45) **Date of Patent:** **** Oct. 31, 2017**

(54) **POWER TOOL**

(71) Applicants: **Robert Bosch Tool Corporation**,
Broadview, IL (US); **Robert Bosch GmbH**, Stuttgart (DE)

(72) Inventors: **Dale Di Iulio**, Allenton, WI (US);
Jason Gebhardt, Arlington Heights, IL (US); **Jason Schickerling**, Arlington Heights, IL (US); **Saad Alam**, Franklin Park, IL (US); **Balazs Nagy**, Schaumburg, IL (US); **John Guilford**, Chicago, IL (US)

(73) Assignees: **Robert Bosch Tool Corporation**,
Broadview, IL (US); **Robert Bosch GmbH**, Stuttgart (DE)

(**) Term: **15 Years**

(21) Appl. No.: **29/541,816**

(22) Filed: **Oct. 8, 2015**

(51) **LOC (10) Cl.** **08-03**

(52) **U.S. Cl.**
USPC **D8/61**

(58) **Field of Classification Search**
USPC D8/61, 62, 67, 69; 81/57, 57.11, 57.14,
81/57.26, 429, 464, 469; 173/2, 170,
173/176, 181
CPC B27C 5/10; B29C 2059/02; B27D 5/006;
B23B 45/00; E04F 2019/00; B27G 13/00
See application file for complete search history.

(56) **References Cited**

U.S. PATENT DOCUMENTS

D476,870 S * 7/2003 Hayakawa D8/61
D529,353 S * 10/2006 Wong D8/61

D650,254 S * 12/2011 Schoch D8/61
D663,181 S * 7/2012 Zhou D8/61
D682,649 S * 5/2013 Aglassinger D8/61
D689,754 S * 9/2013 Hayakawa D8/61
D712,224 S * 9/2014 Zhang D8/61
D727,698 S * 4/2015 Su D8/25
D728,337 S * 5/2015 Henssler D8/61
D752,812 S * 3/2016 Sivan D28/58

* cited by examiner

Primary Examiner — Austin Murphy

(74) *Attorney, Agent, or Firm* — Maginot, Moore & Beck LLP

(57) **CLAIM**

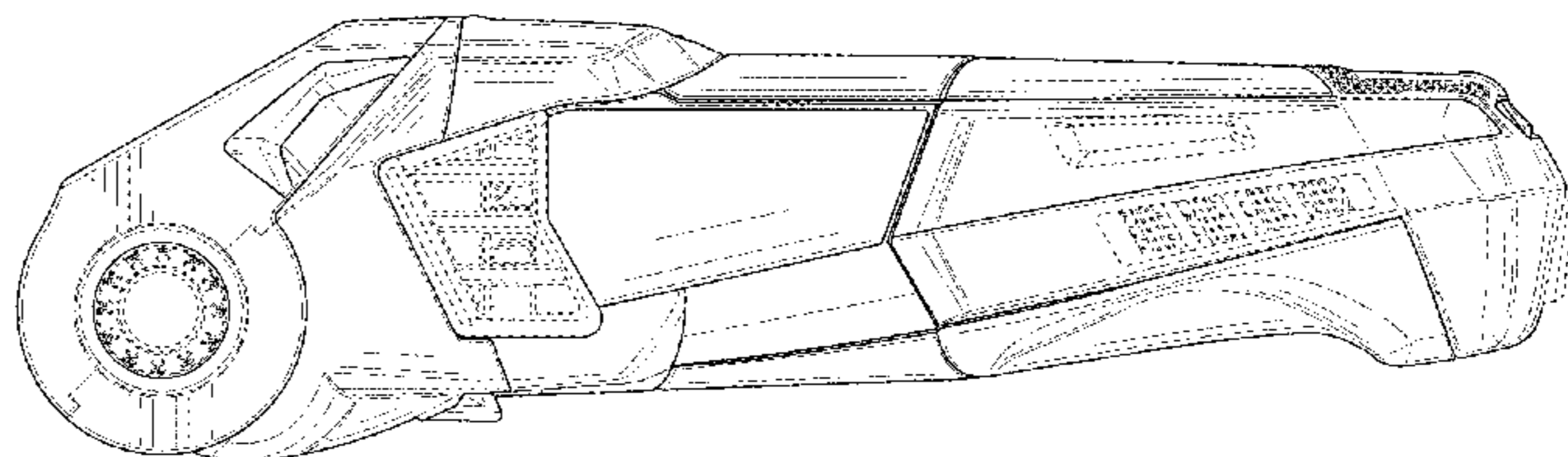
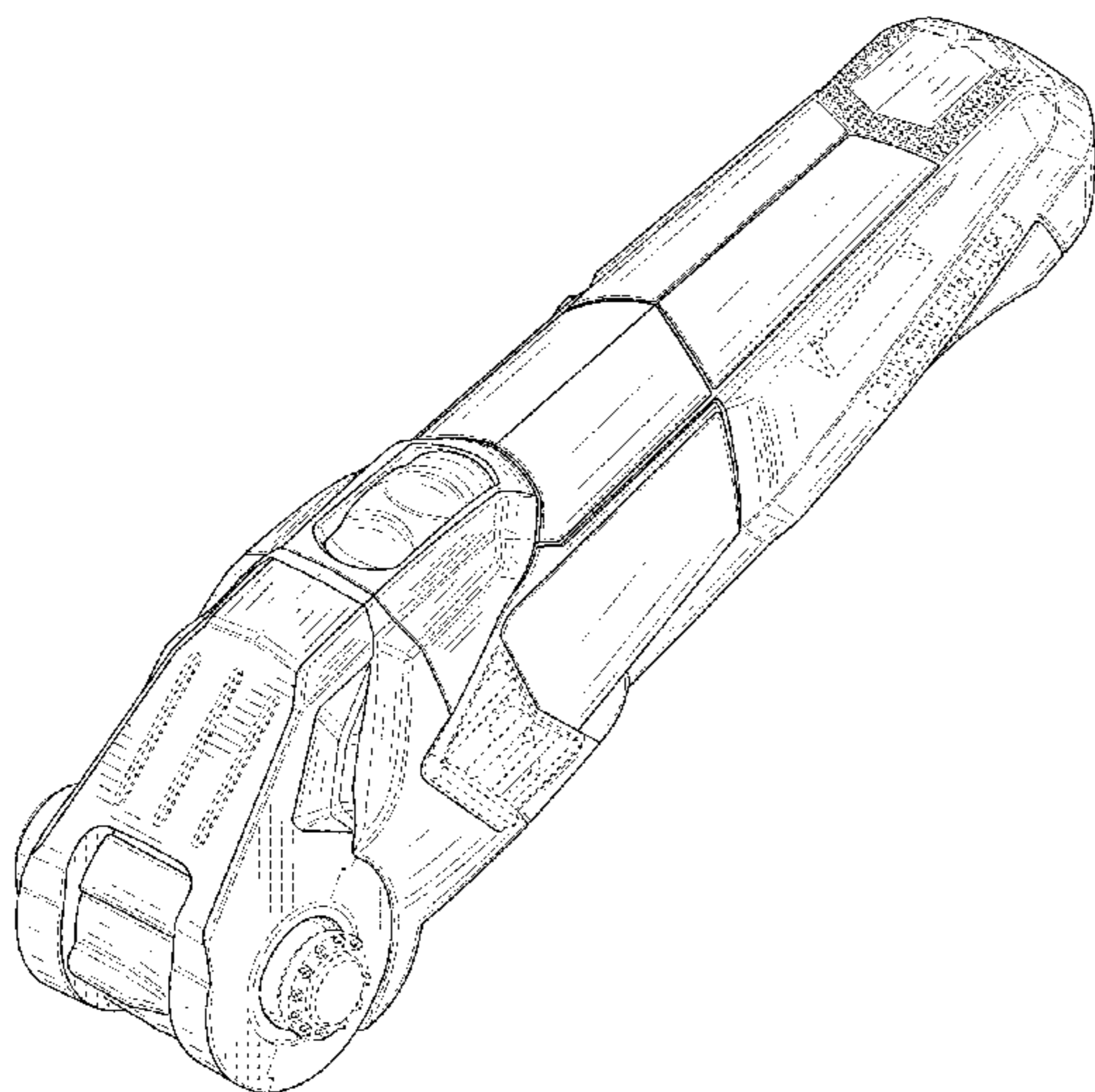
The ornamental design for a power tool, as shown and described.

DESCRIPTION

FIG. 1 is a perspective view of a first embodiment of a power tool showing our new design;
FIG. 2 is a top plan view showing the design for the power tool of FIG. 1;
FIG. 3 is a bottom plan view showing the design for the power tool of FIG. 1;
FIG. 4 is a right side elevational view showing the design for the power tool of FIG. 1;
FIG. 5 is a left side elevational view showing the design for the power tool of FIG. 1;
FIG. 6 is a front elevational view showing the design for the power tool of FIG. 1; and,
FIG. 7 is a rear elevational view showing the design for the power tool of FIG. 1.

The broken lines shown in the figures illustrate portions of the power tool that form no part of the claimed design.

1 Claim, 6 Drawing Sheets



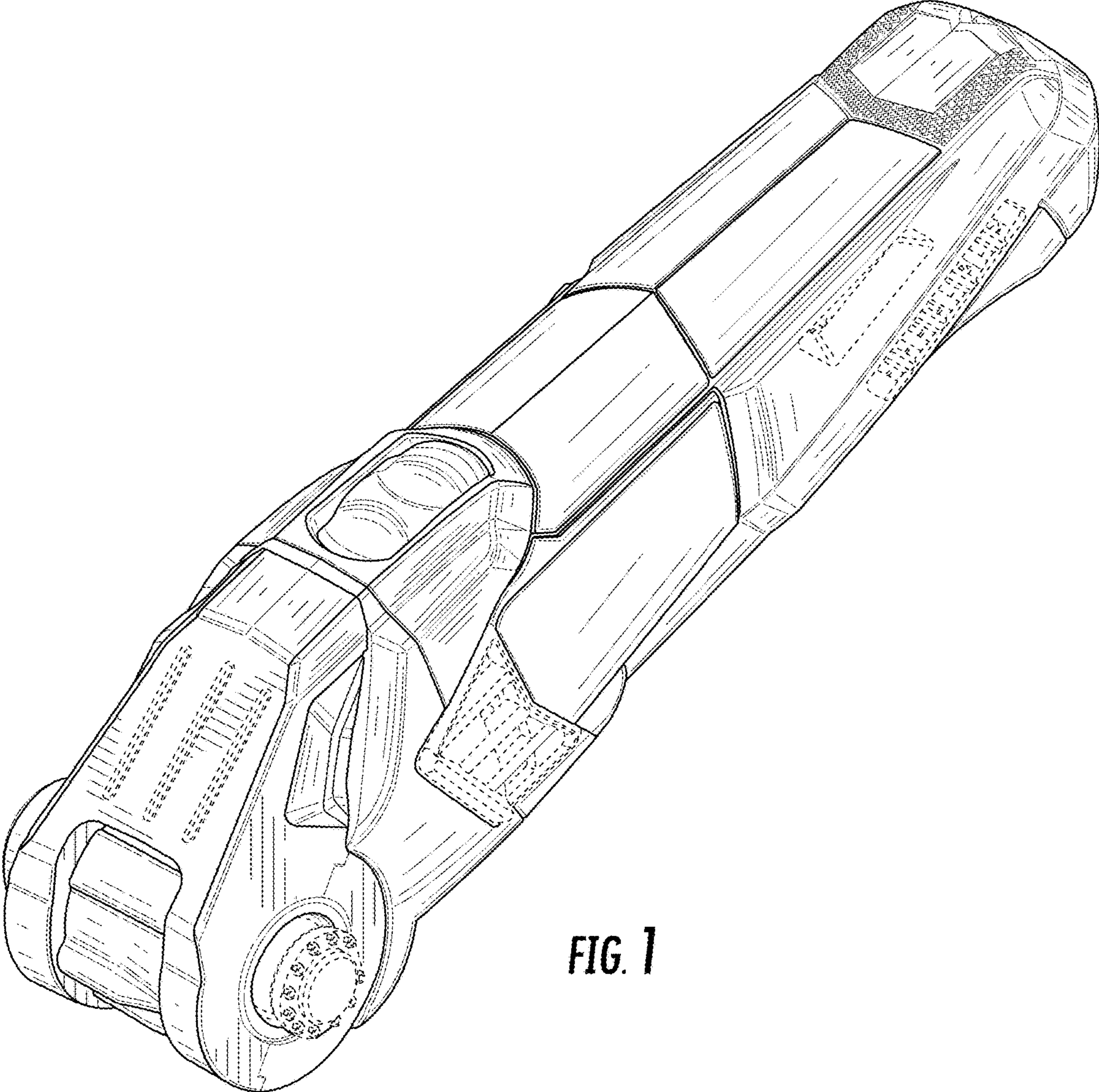


FIG. 1

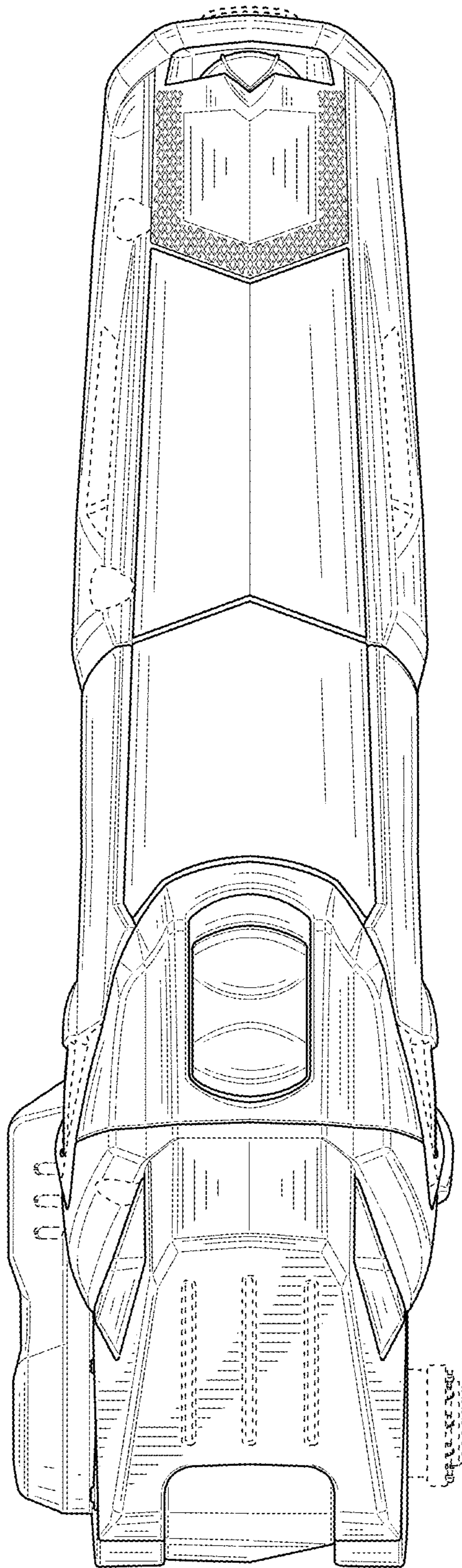


FIG. 2

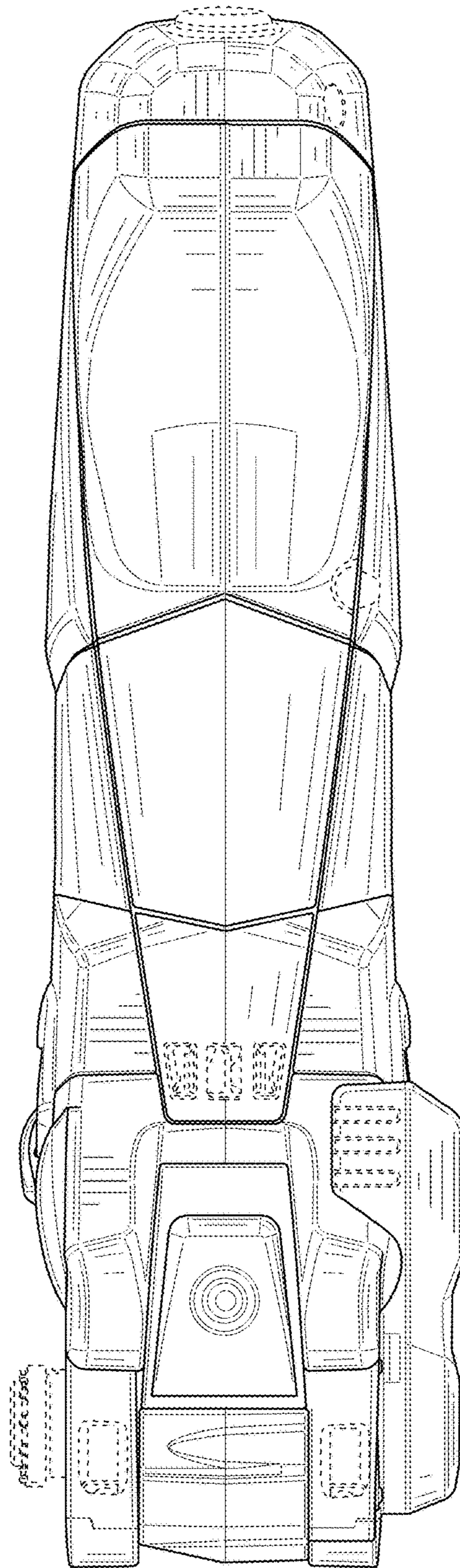


FIG. 3

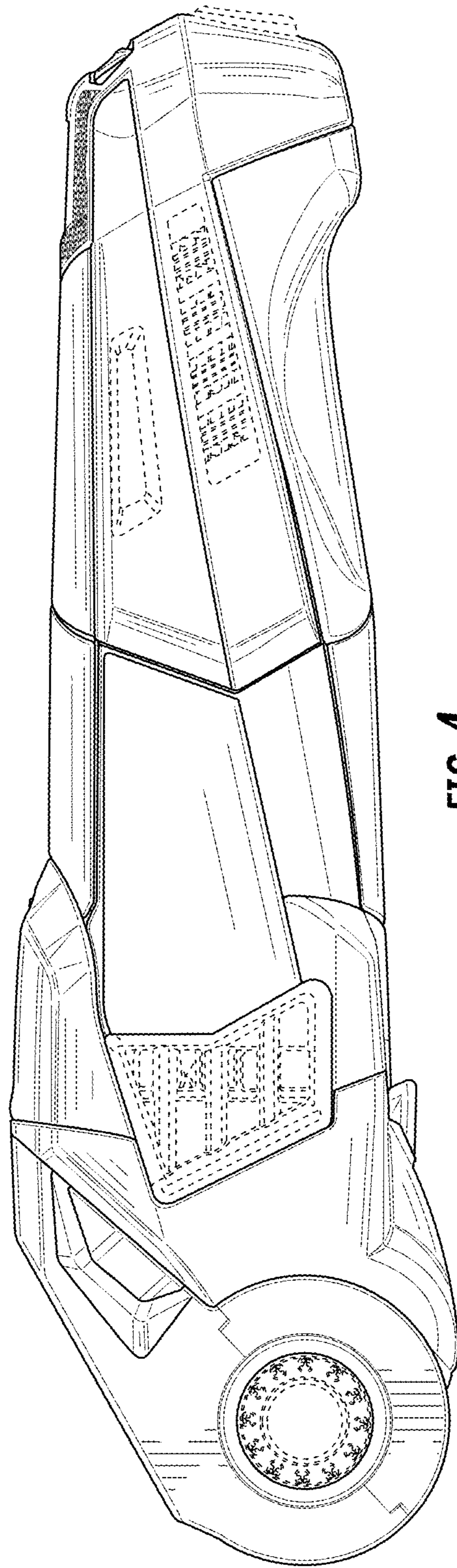


FIG. 4

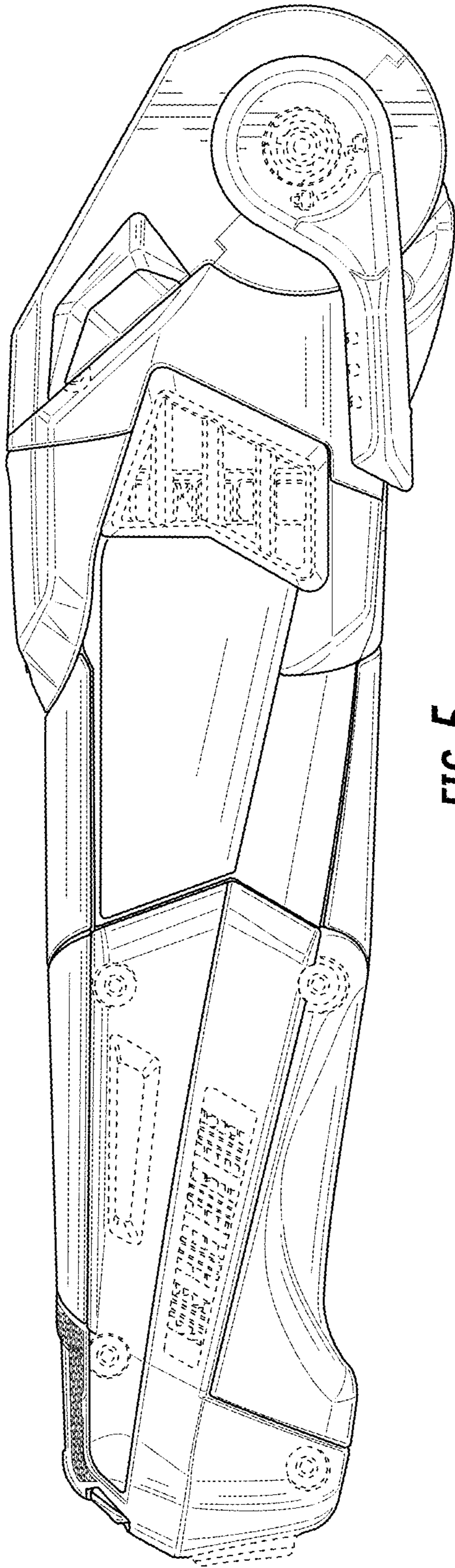


FIG. 5

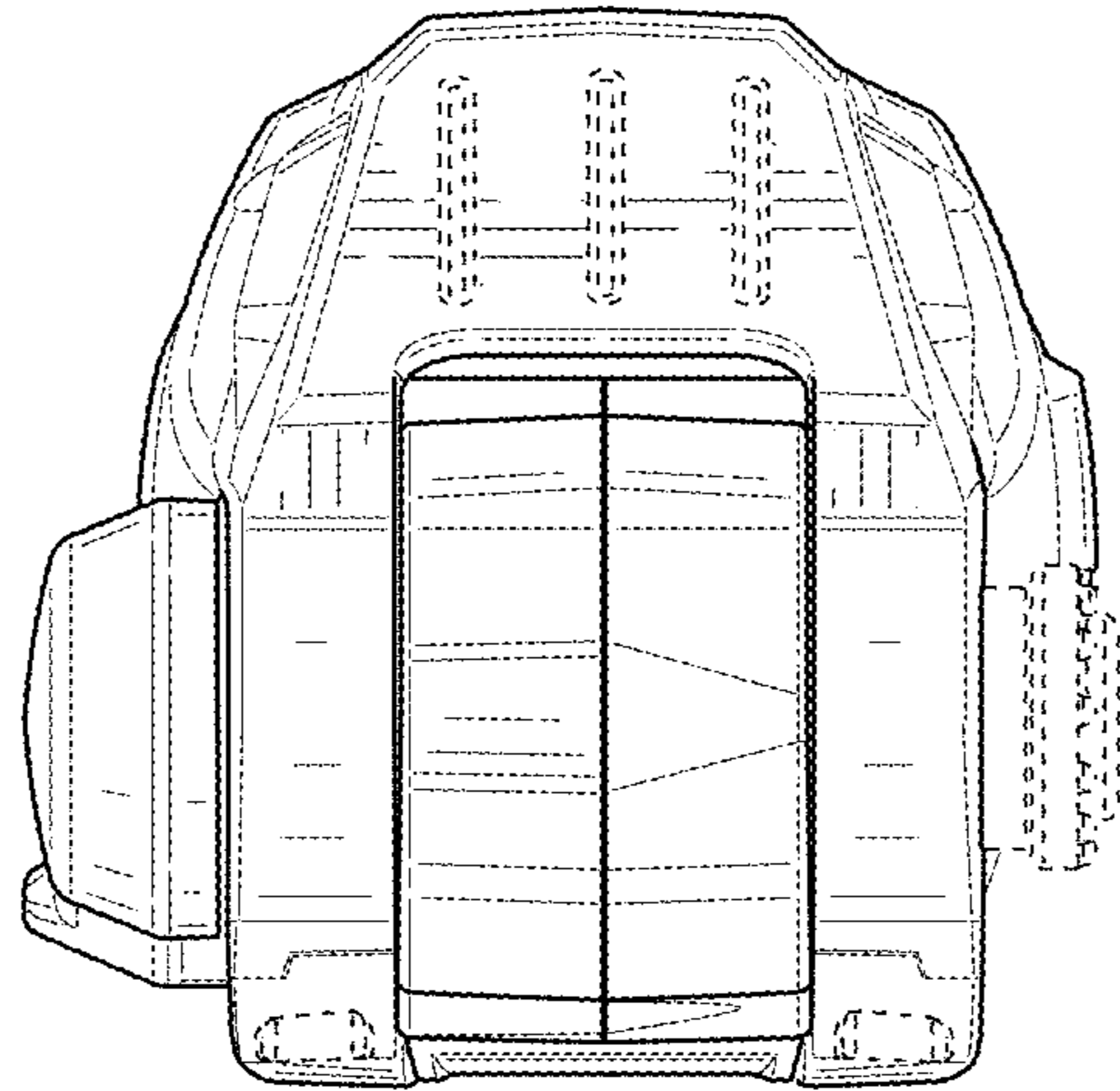


FIG. 6

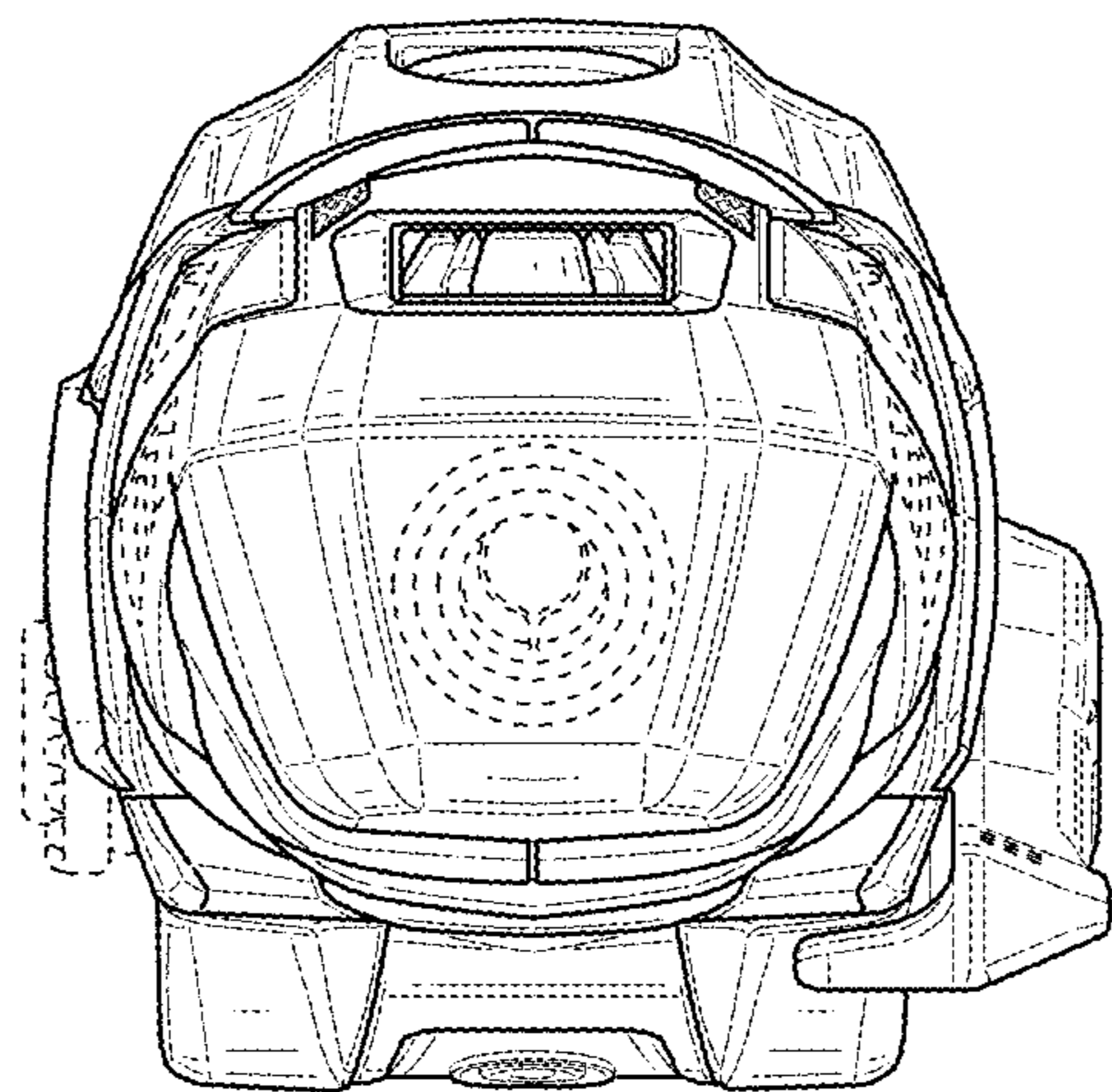


FIG. 7