



US00D801142S

(12) **United States Design Patent** (10) **Patent No.:** **US D801,142 S**
Cornu (45) **Date of Patent:** **** Oct. 31, 2017**

(54) **MANUAL CAN OPENER**
(71) Applicant: **Dart Industries Inc.**, Orlando, FL (US)
(72) Inventor: **Judicaël Cornu**, Schaerbeek (BE)
(73) Assignee: **Dart Industries Inc.**, Orlando, FL (US)
(**) Term: **15 Years**
(21) Appl. No.: **29/583,623**
(22) Filed: **Nov. 8, 2016**
(51) **LOC (10) Cl.** **07-99**
(52) **U.S. Cl.**
USPC **D8/40**
(58) **Field of Classification Search**
USPC D8/18, 33, 38, 40, 356; D1/106, 111;
D3/207, 208, 210; D9/600; D21/319,
D21/358, 478, 598, 599, 708, 733, 759;
30/400, 409-411; 53/363; 81/3.55, 3.57;
7/169
CPC B67B 7/00; B67B 7/04; B67B 7/06; B67B
7/14; B67B 7/16; B67B 7/20; B67B 7/24;
B67B 7/30; B67B 7/38; B67B 7/44;
B67B 7/182; B67B 7/403; B67B
2201/012; B67B 2201/17; B67B 1/00
See application file for complete search history.

(56) **References Cited**
U.S. PATENT DOCUMENTS
2,711,581 A * 6/1955 Lacey B67B 7/00
30/420
3,059,333 A * 10/1962 Landry B67B 7/34
30/409
D366,197 S 1/1996 Laib
D385,763 S * 11/1997 Trivellato D8/43
D406,027 S * 2/1999 So D8/39
D441,626 S * 5/2001 Greiner D8/41
D442,044 S 5/2001 Juhlin et al.
D490,380 S * 5/2004 Coullahan D13/168

D495,571 S * 9/2004 Brousseau D8/39
D501,772 S * 2/2005 Overthun D8/39
D510,690 S * 10/2005 Greiner D8/40
D520,826 S * 5/2006 Parlowski D8/41
D521,827 S * 5/2006 So D8/41
D522,824 S * 6/2006 McGuyer D8/41
D583,207 S * 12/2008 Eide D8/41
D711,710 S * 8/2014 Greiner D8/40
D717,146 S * 11/2014 Grossman D8/40
D717,622 S * 11/2014 Bradley D8/33
9,676,603 B1 * 6/2017 Oakley B67B 7/44
2004/0117994 A1 * 6/2004 Chang B67B 7/32
30/400
2012/0261360 A1 * 10/2012 Souza B67B 7/32
210/808
2016/0221814 A1 * 8/2016 Kent B67B 7/34

FOREIGN PATENT DOCUMENTS

CA 2808719 A1 * 2/2012 B67B 7/385

* cited by examiner

Primary Examiner — Wan Laymon
Assistant Examiner — Clint A Samuel
(74) *Attorney, Agent, or Firm* — Taylor J. Ross

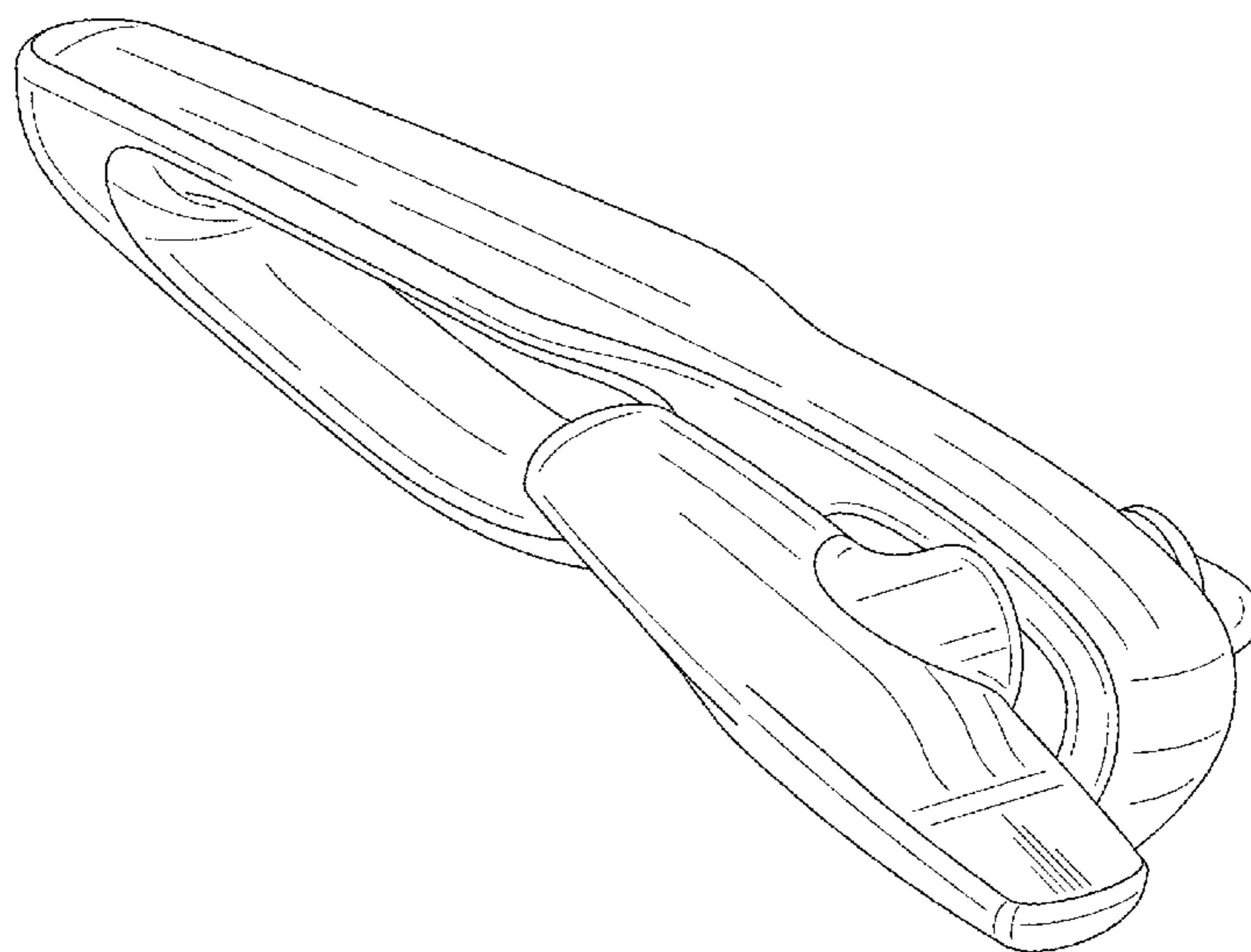
(57) **CLAIM**

The ornamental design for a manual can opener, as shown and described.

DESCRIPTION

FIG. 1 is a top, front and right side perspective view of a manual can opener showing my new design;
FIG. 2 is a bottom, rear and left side perspective view thereof;
FIG. 3 is a top plan view thereof;
FIG. 4 is a bottom plan view thereof;
FIG. 5 is a right side elevation view thereof;
FIG. 6 is a left side elevation view thereof;
FIG. 7 is a front elevation view thereof; and,
FIG. 8 is a rear elevation view thereof.

1 Claim, 4 Drawing Sheets



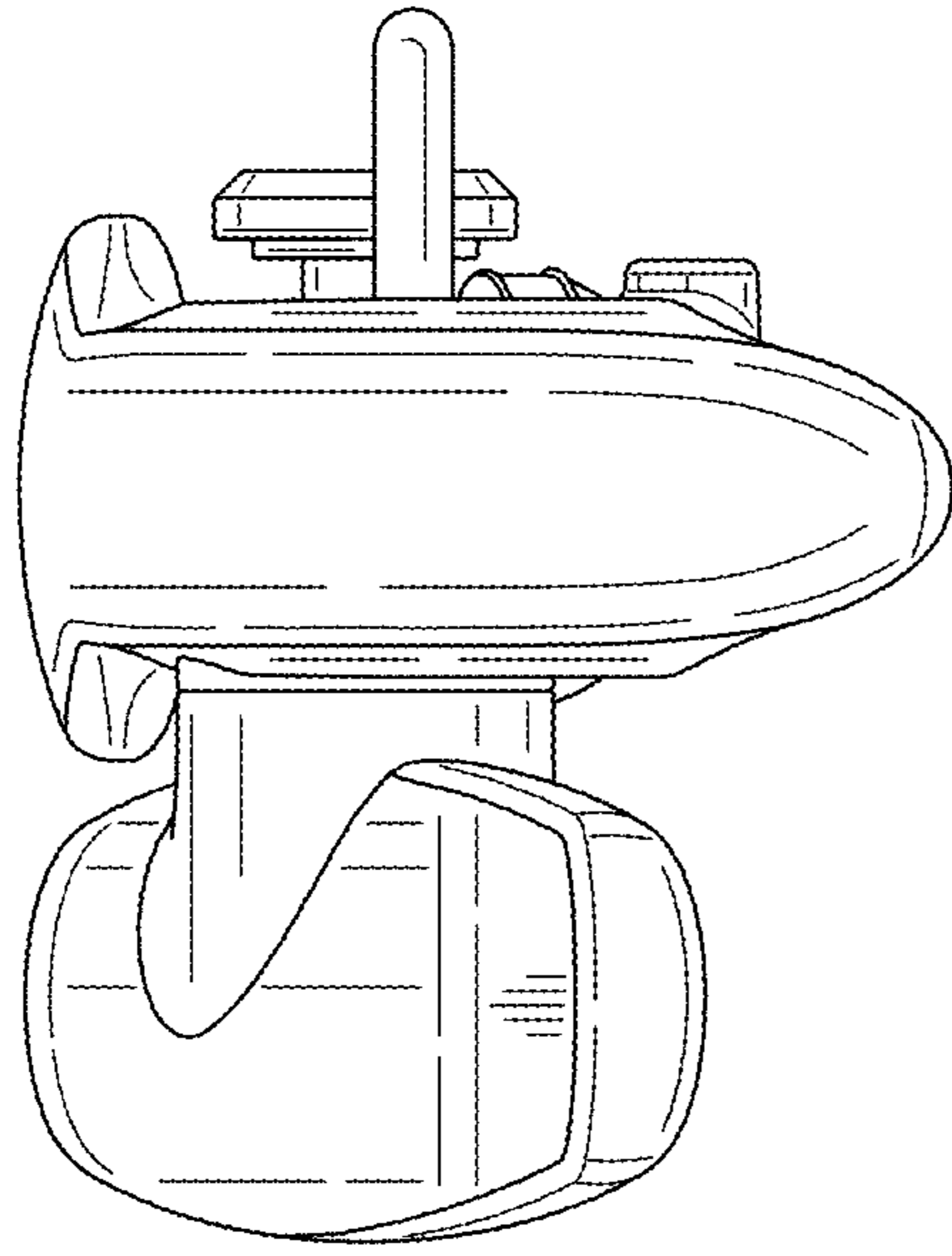


FIG. 7

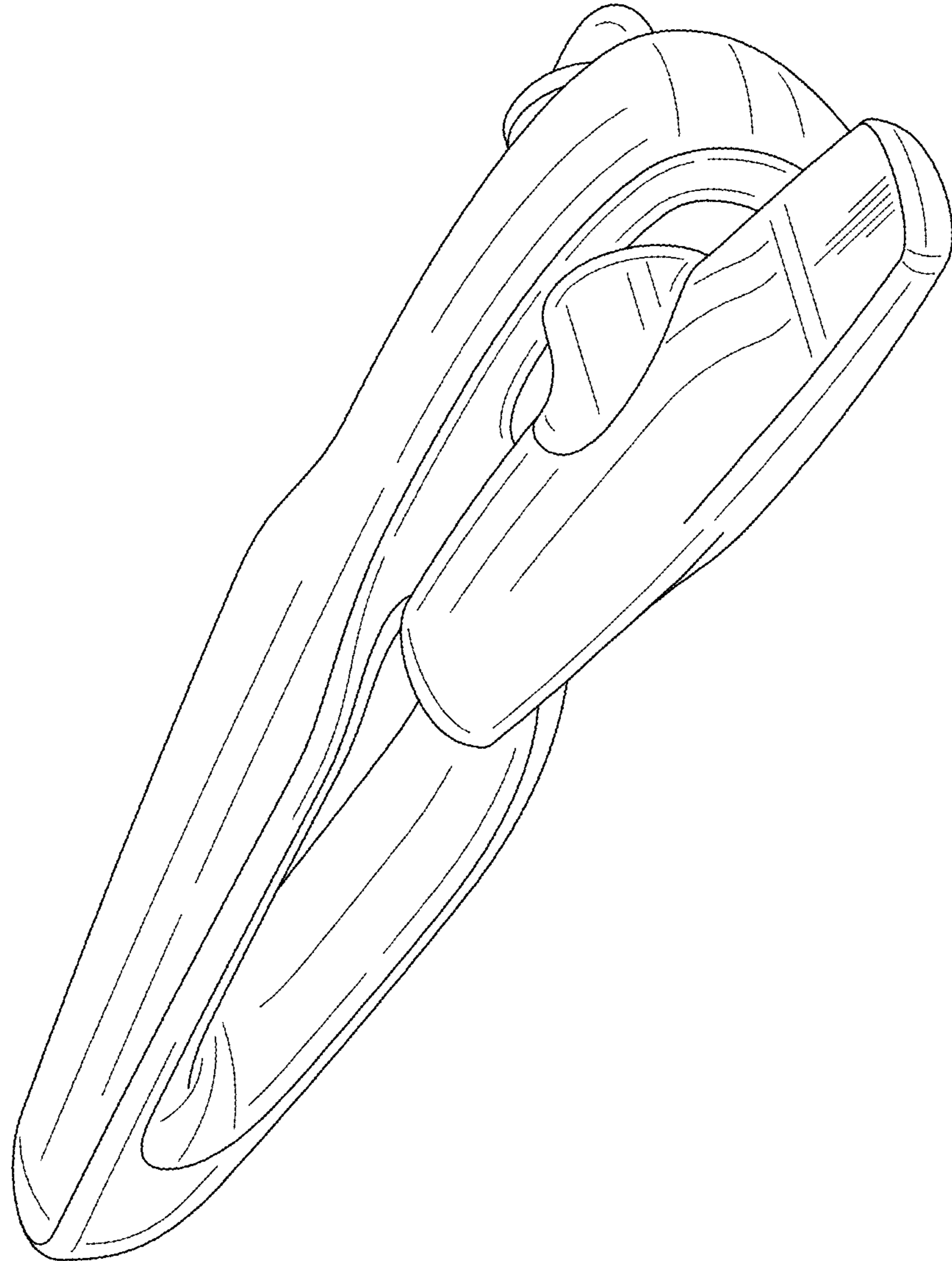


FIG. 1

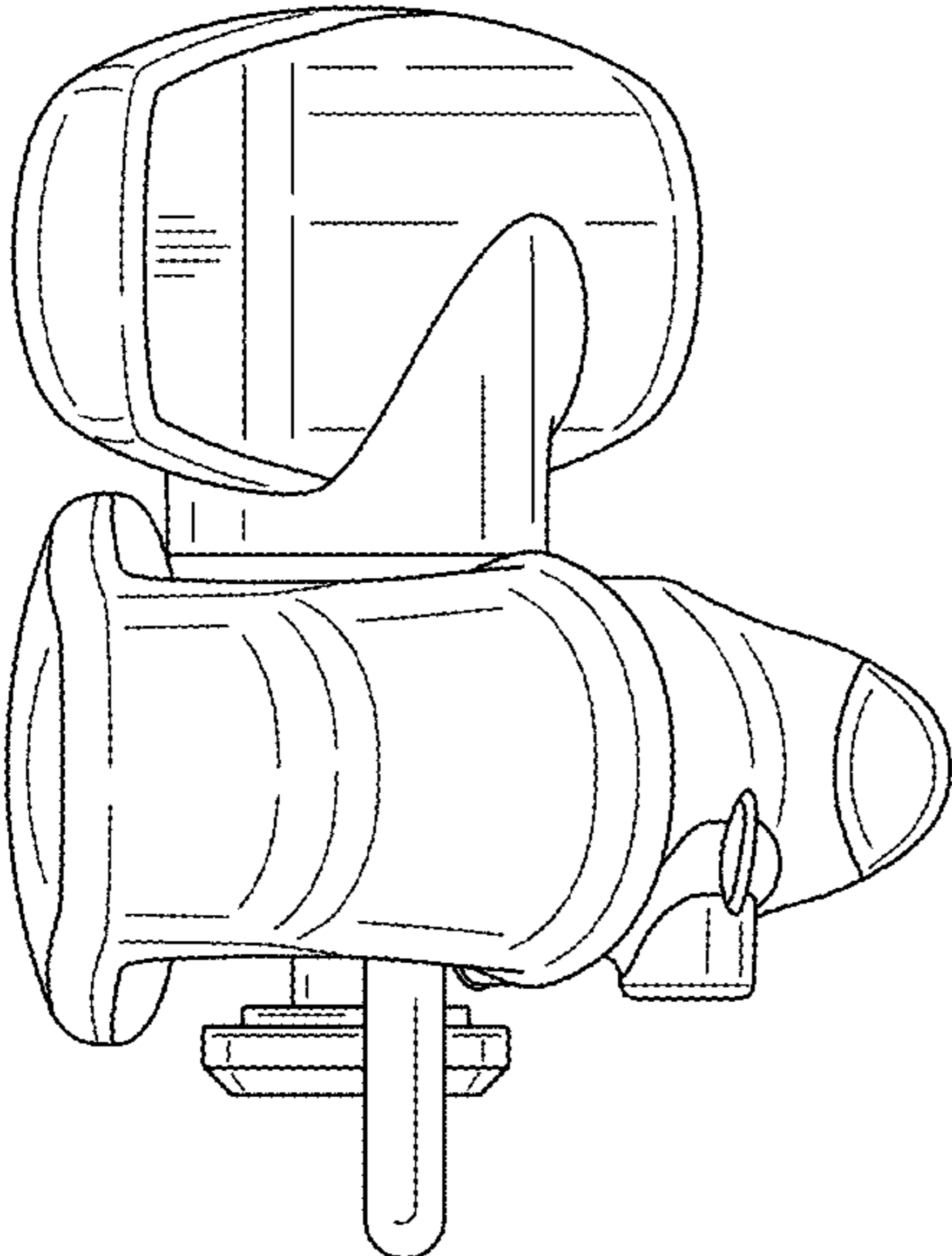


FIG. 8

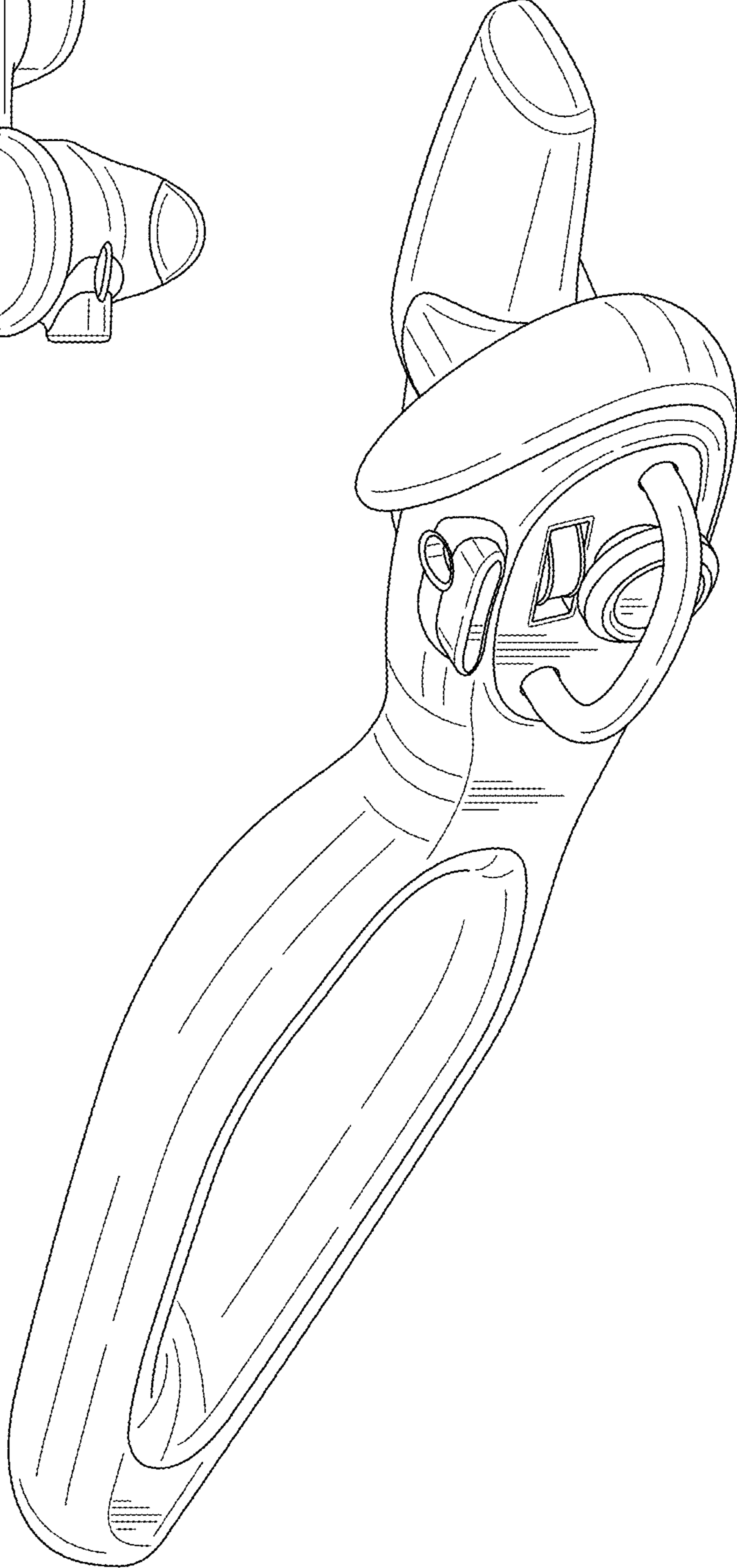


FIG. 2

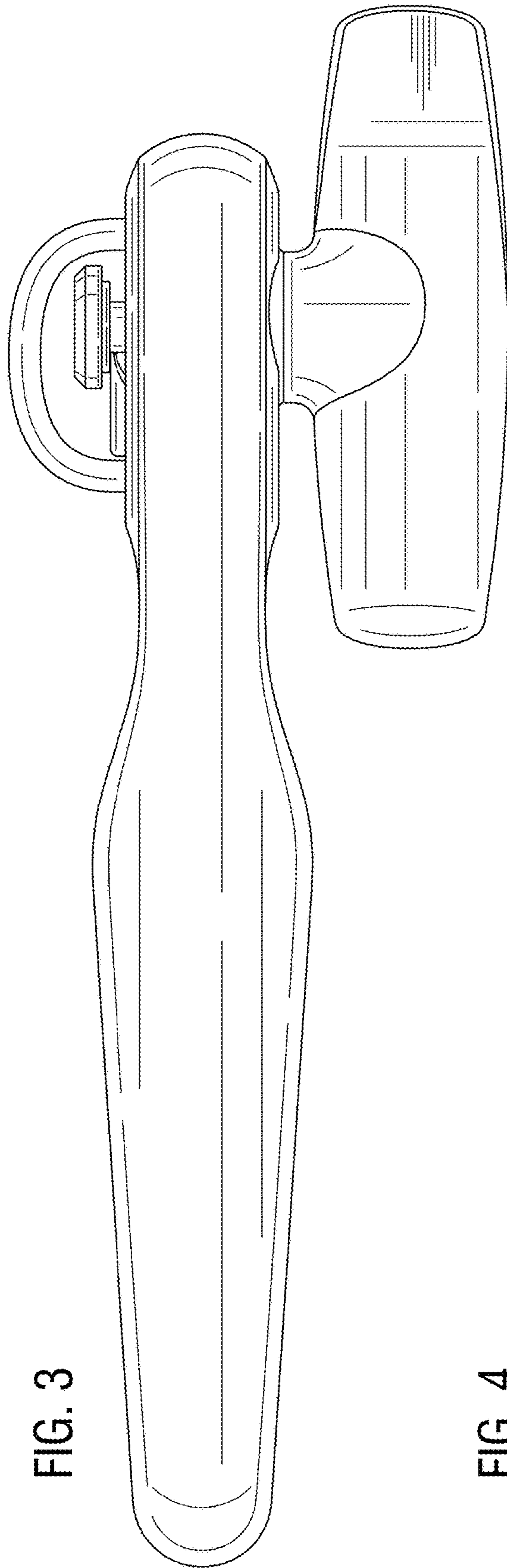


FIG. 3

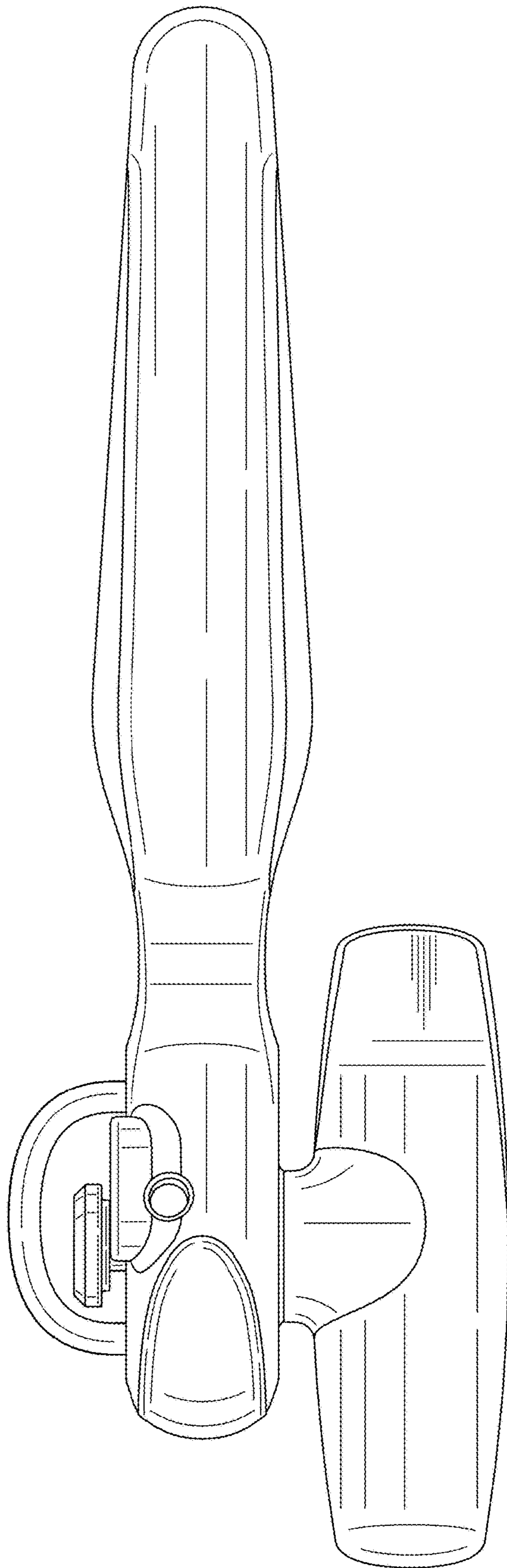


FIG. 4

FIG. 5

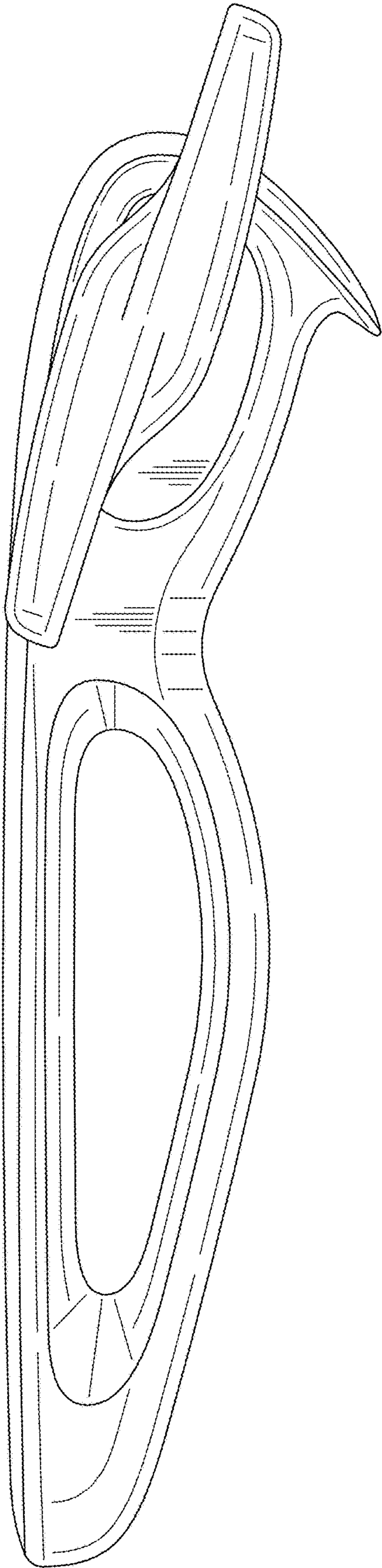


FIG. 6

