



US00D801139S

(12) **United States Design Patent**
Cheng

(10) **Patent No.:** **US D801,139 S**

(45) **Date of Patent:** **** Oct. 31, 2017**

(54) **MULTIPURPOSE TOOL**

(71) Applicant: **KANTAS PRODUCTS CO., LTD.**,
Taipei (TW)

(72) Inventor: **Yang-Fu Cheng**, Taipei (TW)

(73) Assignee: **KANTAS PRODUCTS CO., LTD.**,
Taipei (TW)

(**) Term: **15 Years**

(21) Appl. No.: **29/578,344**

(22) Filed: **Sep. 21, 2016**

(30) **Foreign Application Priority Data**

Aug. 29, 2016 (TW) 105304995

(51) **LOC (10) Cl.** **08-05**

(52) **U.S. Cl.**
USPC **D8/19**

(58) **Field of Classification Search**
USPC ... D8/16, 18, 19, 33, 34, 40, 45, 47, 90, 93,
D8/366, 371, 207, 208, 210; D3/207,
D3/208, 210; D12/223

CPC A45C 1/06; A45C 13/008; A45C 11/18;
A45C 11/327; A45C 15/00; A45C 1/08;
A45F 2005/002; A45F 2200/0575; B25F
1/00; B26B 11/00; B26B 29/025

See application file for complete search history.

(56) **References Cited**

U.S. PATENT DOCUMENTS

D444,685 S * 7/2001 Shenkel D3/208
D746,656 S * 1/2016 Smith D27/141

D758,824 S * 6/2016 Kelleghan D8/105
D765,495 S * 9/2016 Schmid D8/356
D772,029 S * 11/2016 Spater D8/18
D772,679 S * 11/2016 Hawker D3/210

* cited by examiner

Primary Examiner — Robert M Spear

Assistant Examiner — Eliza Bennett-Hattan

(74) *Attorney, Agent, or Firm* — Bacon & Thomas, PLLC

(57) **CLAIM**

The ornamental design for a multipurpose tool, as shown and described.

DESCRIPTION

FIG. 1 is a perspective view of a multipurpose tool showing the new design;

FIG. 2 is a front elevational view thereof;

FIG. 3 is a rear elevational view thereof;

FIG. 4 is a left side elevational view thereof;

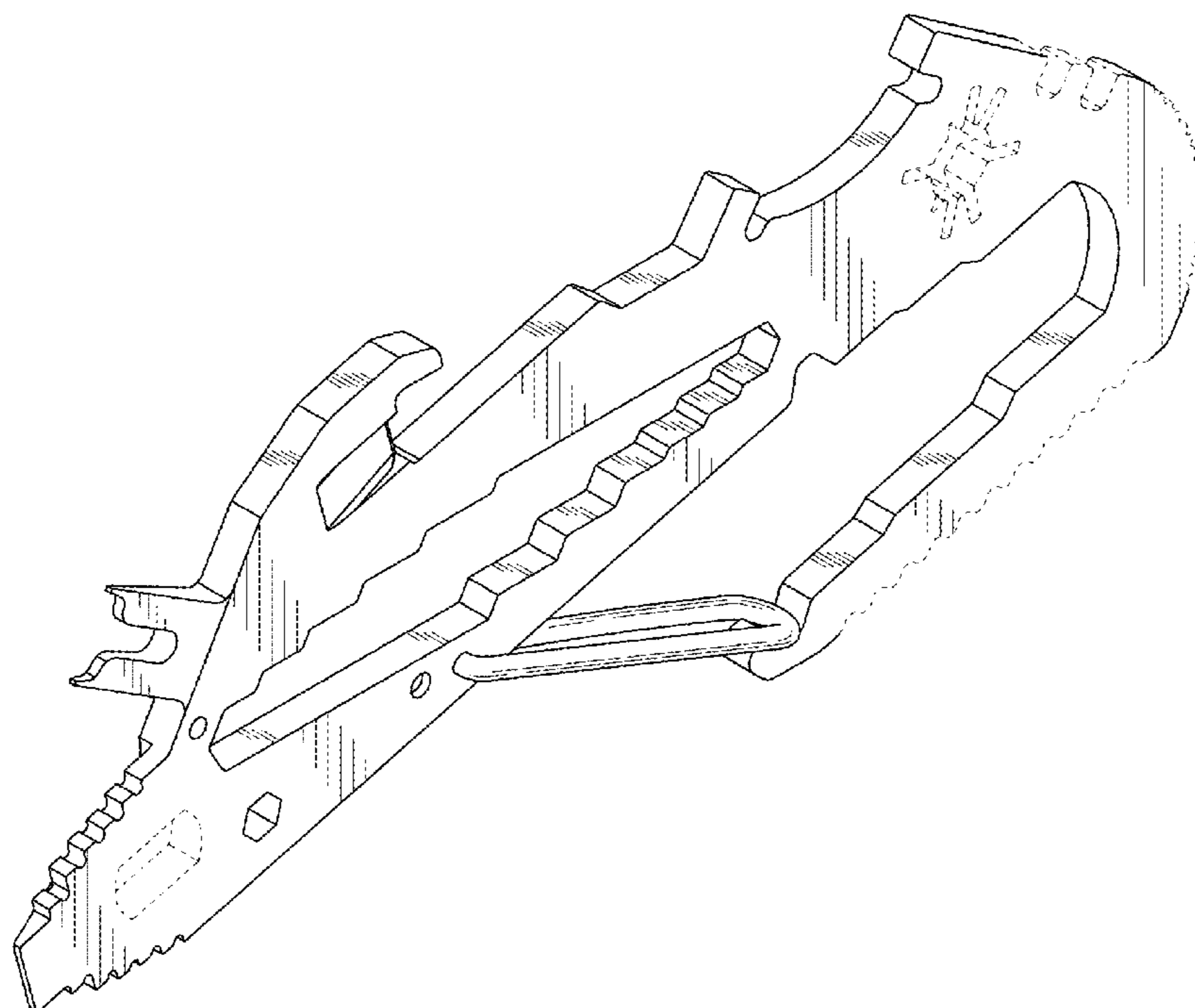
FIG. 5 is a right side elevational view thereof;

FIG. 6 is a top plan view thereof; and,

FIG. 7 is a bottom plan view thereof.

The dash-dash broken lines throughout the figures that are immediately adjacent to shaded surfaces represent additional boundaries of the claimed design. All other dash-dash broken lines depict environmental subject matter that forms no part of the claimed design. The broken lines and unshaded regions bounded by broken lines showing partial portions of the multipurpose tool are for illustrative purpose only and form no part of the claimed design.

1 Claim, 6 Drawing Sheets



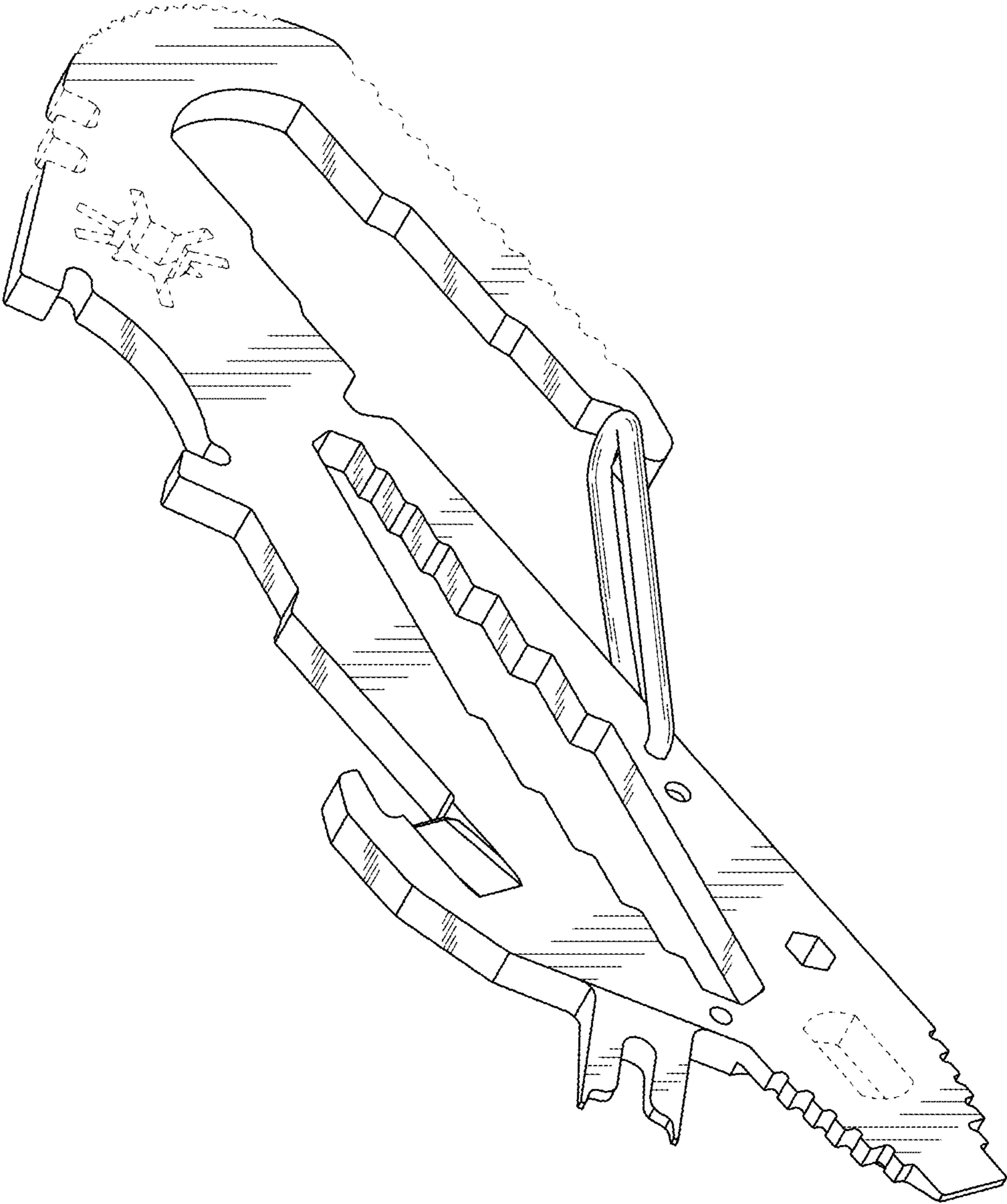


FIG. 1

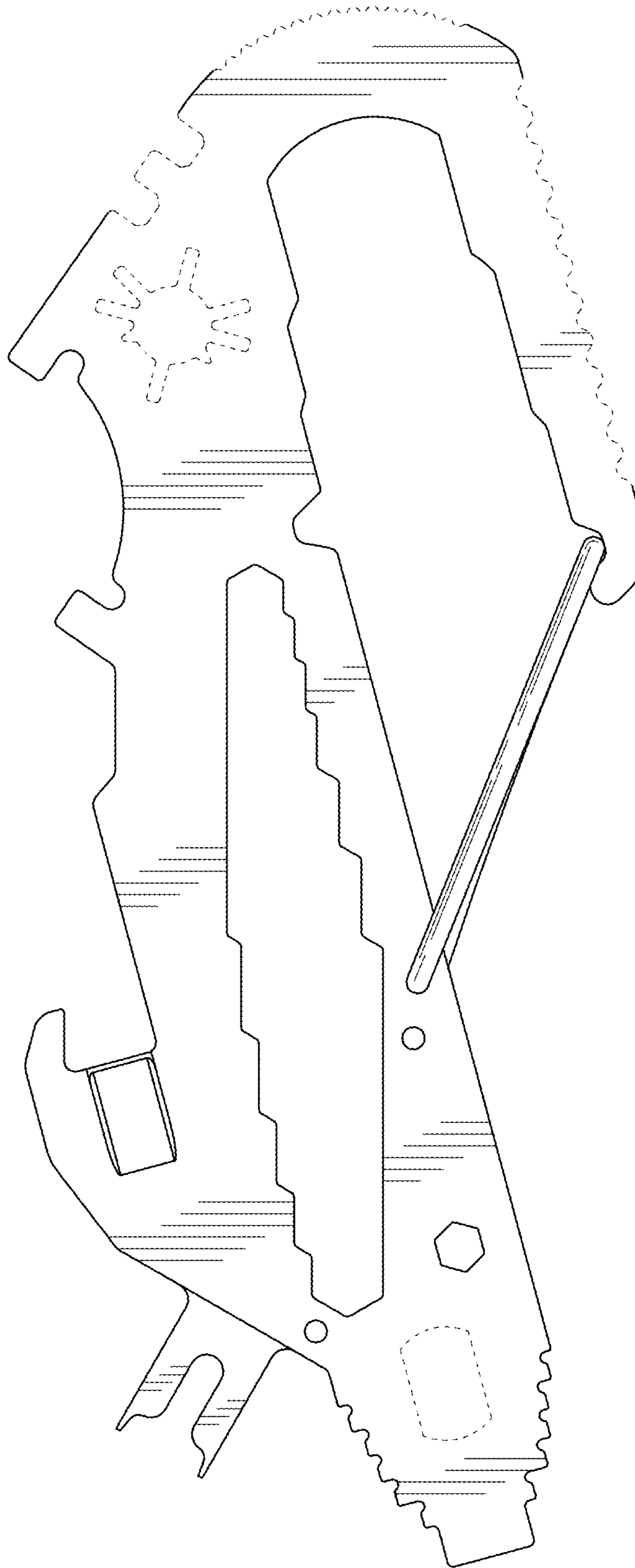


FIG. 2

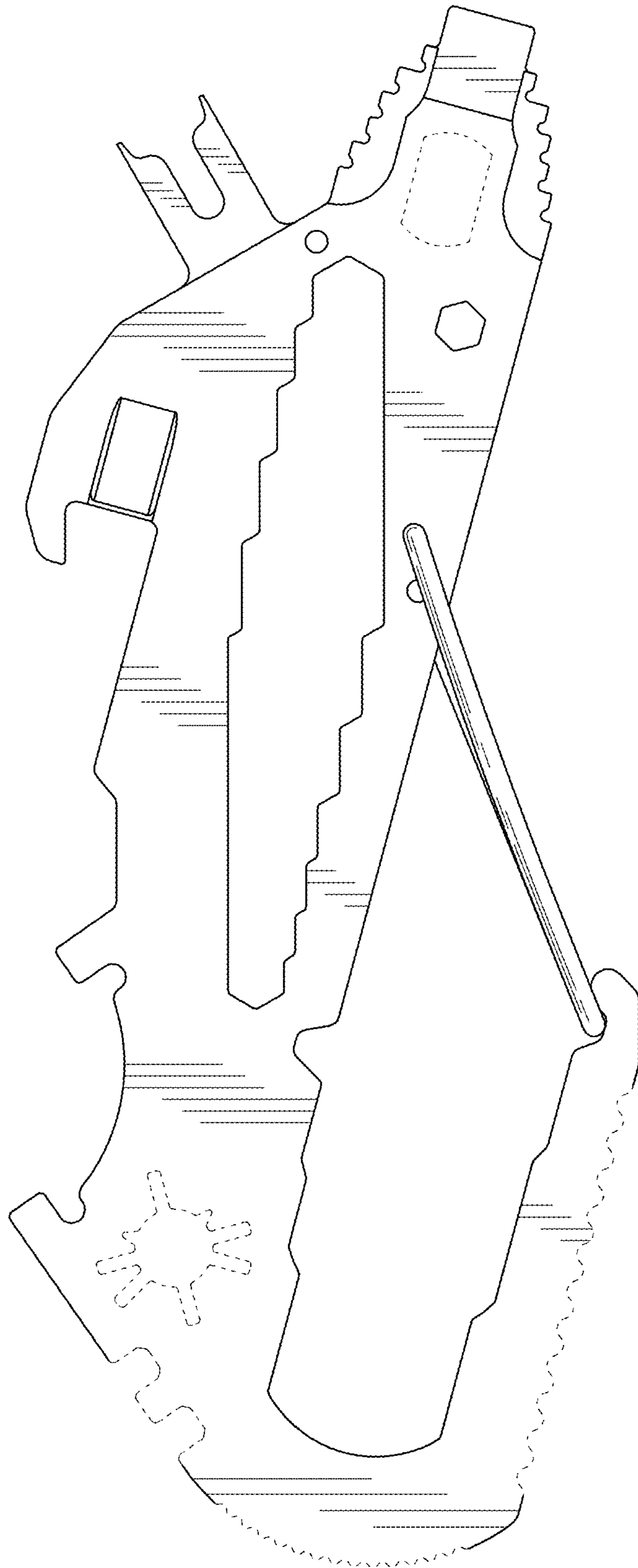


FIG. 3

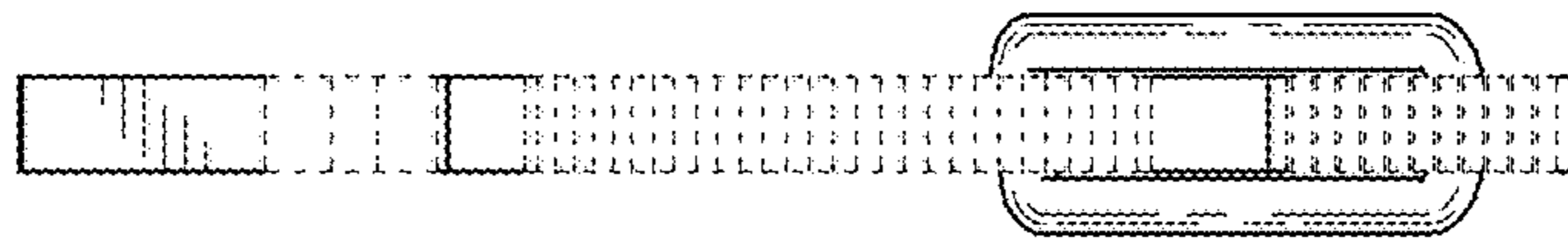


FIG. 5

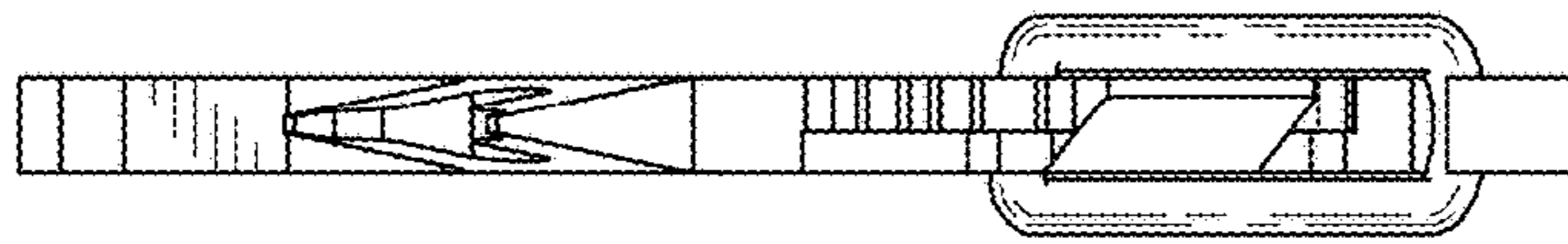


FIG. 4

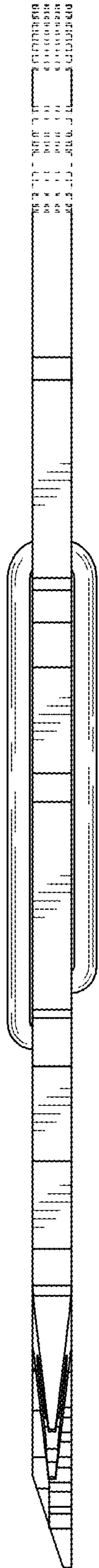


FIG. 6

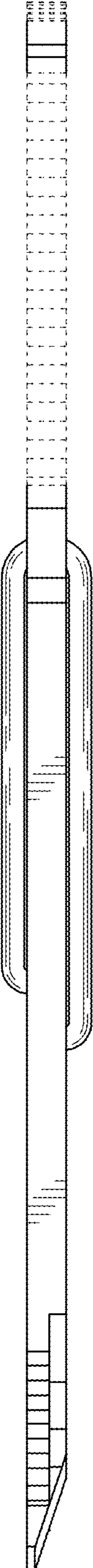


FIG. 7