



US00D801135S

(12) **United States Design Patent**
Chalfant

(10) **Patent No.:** **US D801,135 S**
(45) **Date of Patent:** **** Oct. 31, 2017**

(54) **CUTTING BOARD WITH SHARPENER**
(71) Applicant: **Smith's Consumer Products, Inc.**, Hot Springs, AR (US)
(72) Inventor: **Louis Chalfant**, Hot Springs, AR (US)
(73) Assignee: **Smith's Consumer Products, Inc.**, Hot Springs, AR (US)
(**) Term: **15 Years**

D348,374 S * 7/1994 Dandurand D7/698
D348,591 S * 7/1994 Willis D7/673
5,520,574 A 5/1996 Wilson
D458,812 S * 6/2002 Wong D7/698
7,036,809 B1 * 5/2006 Mitchell A47J 47/16
269/289 R
D573,420 S * 7/2008 Pourounidis D7/698
8,360,407 B2 * 1/2013 Kent A47J 47/005
269/15
9,066,626 B2 * 6/2015 Young A47J 47/005
D778,105 S * 2/2017 Coffey, Jr. D14/447

* cited by examiner

(21) Appl. No.: **29/573,207**
(22) Filed: **Aug. 3, 2016**
(51) **LOC (10) Cl.** **07-04**
(52) **U.S. Cl.**
USPC **D7/698**
(58) **Field of Classification Search**
USPC D7/388, 543, 549, 550.1, 552.2, 586,
D7/698-699; D32/55-57
CPC A47J 47/00; A47J 47/005; A47J 47/16;
A47J 47/20; B26D 7/0006; B26D 7/018;
B26D 7/20; B23D 21/00; B23K 37/04;
B23K 37/053; B23Q 16/001
See application file for complete search history.

Primary Examiner — Ricky Pham
(74) *Attorney, Agent, or Firm* — Wright Lindsey Jennings; Meredith Lowry

(57) **CLAIM**

The ornamental design of the cutting board with sharpener, as shown.

DESCRIPTION

FIG. 1 is a perspective view of a cutting board with sharpener showing my new design.
FIG. 2 is a top view thereof.
FIG. 3 is a front view thereof.
FIG. 4 is a bottom view thereof.
FIG. 5 is a back view thereof.
FIG. 6 is a right side view thereof; and,
FIG. 7 is a left side view thereof.
The invention pertains to an ornamental design for an article of manufacture, which can be scaled to different sizes.

(56) **References Cited**
U.S. PATENT DOCUMENTS
5,233,793 A * 8/1993 Dandurand A47J 47/005
451/461
D347,360 S * 5/1994 Wheeler D19/113

1 Claim, 4 Drawing Sheets

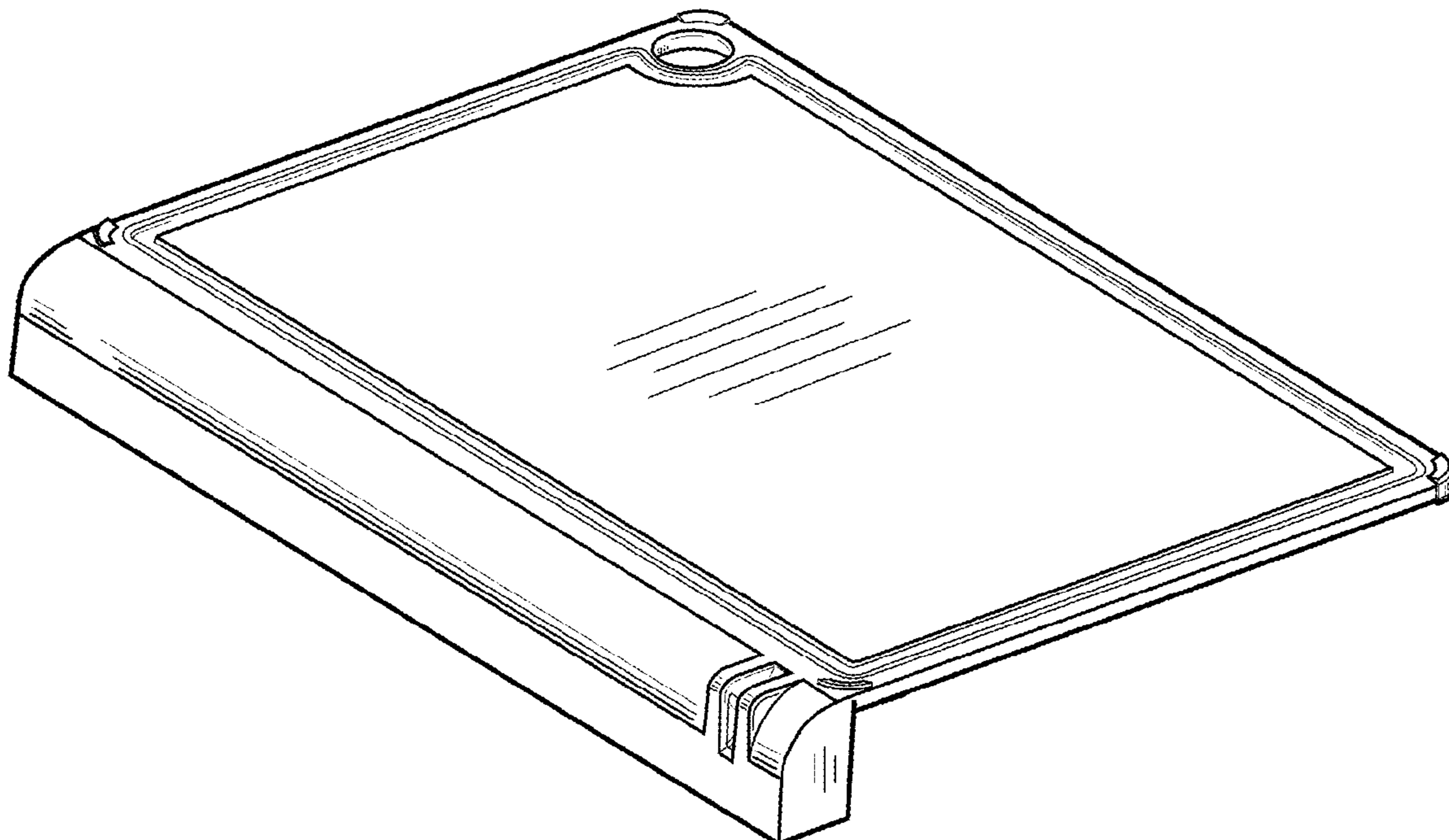


FIG. 1

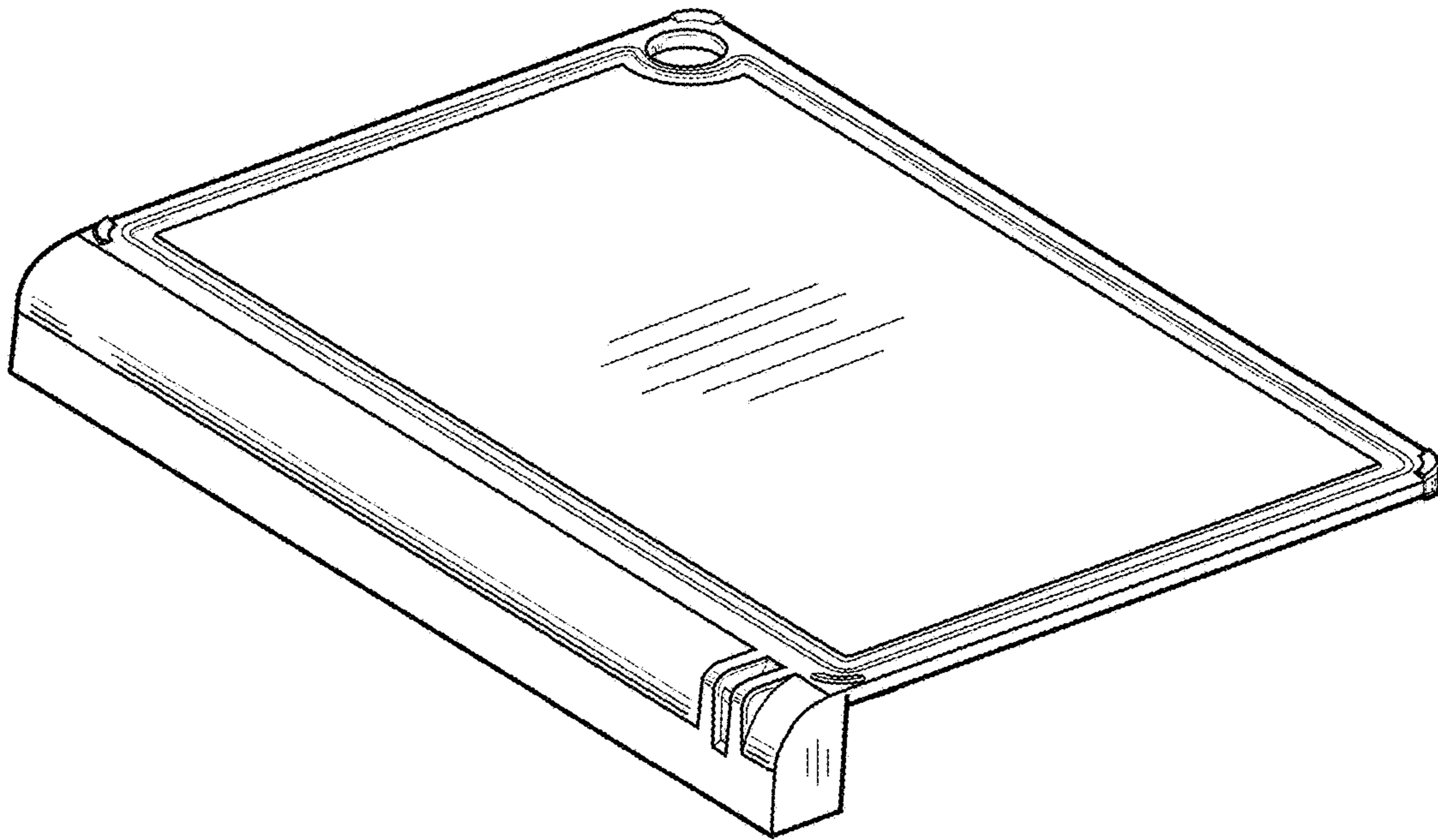


FIG. 2

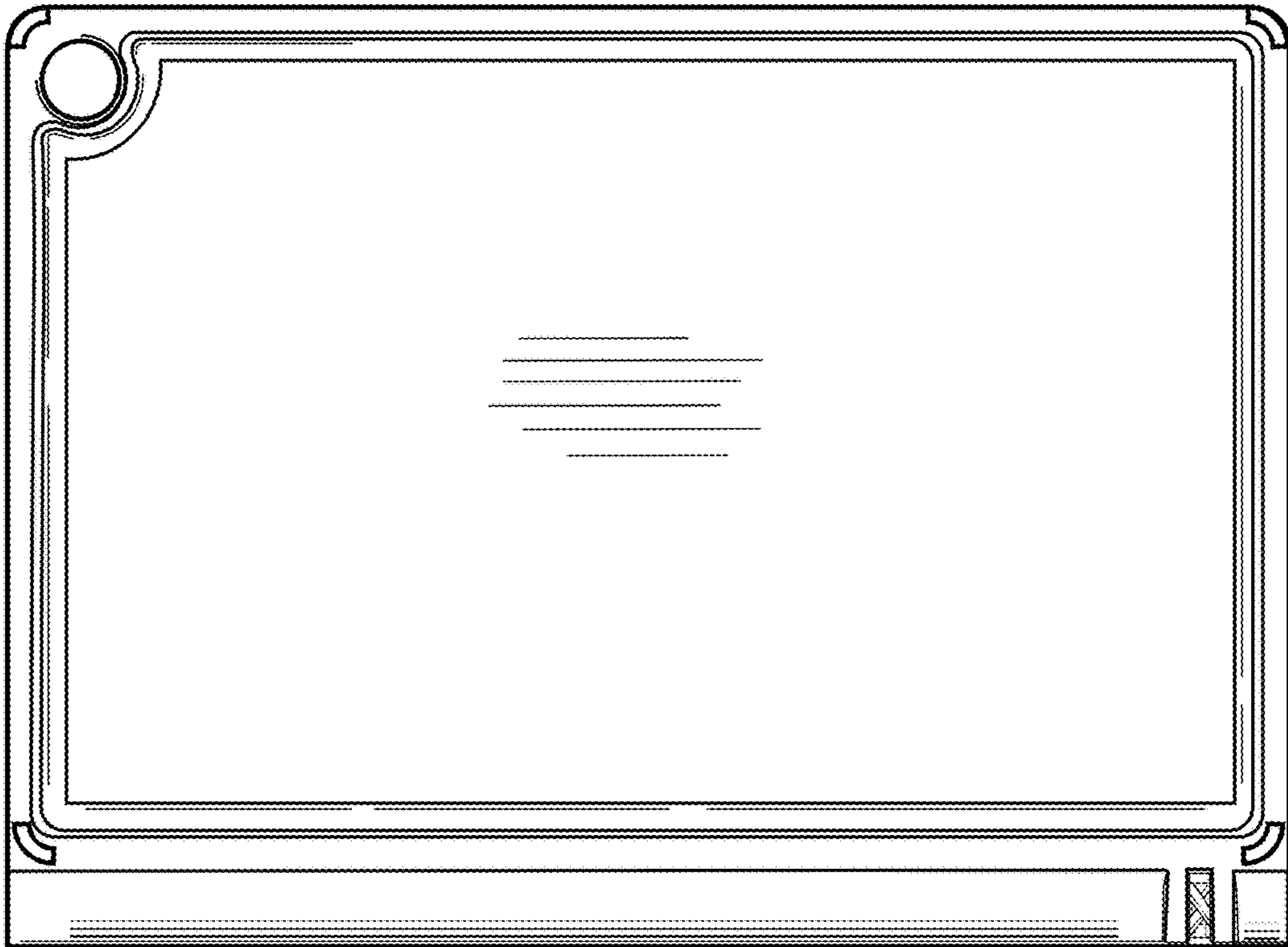


FIG. 3

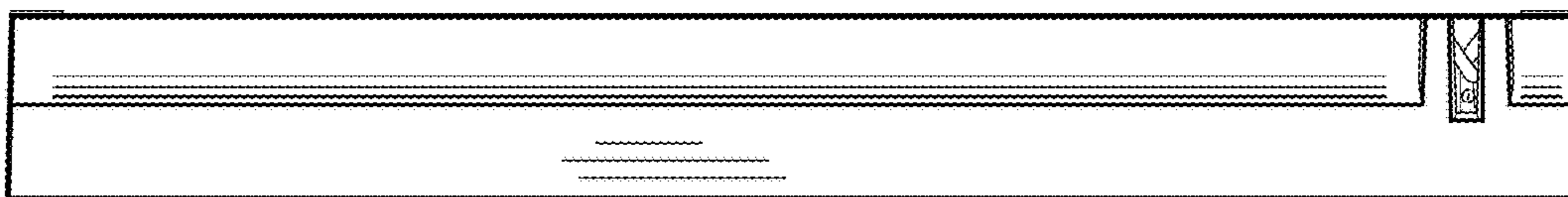


FIG. 4

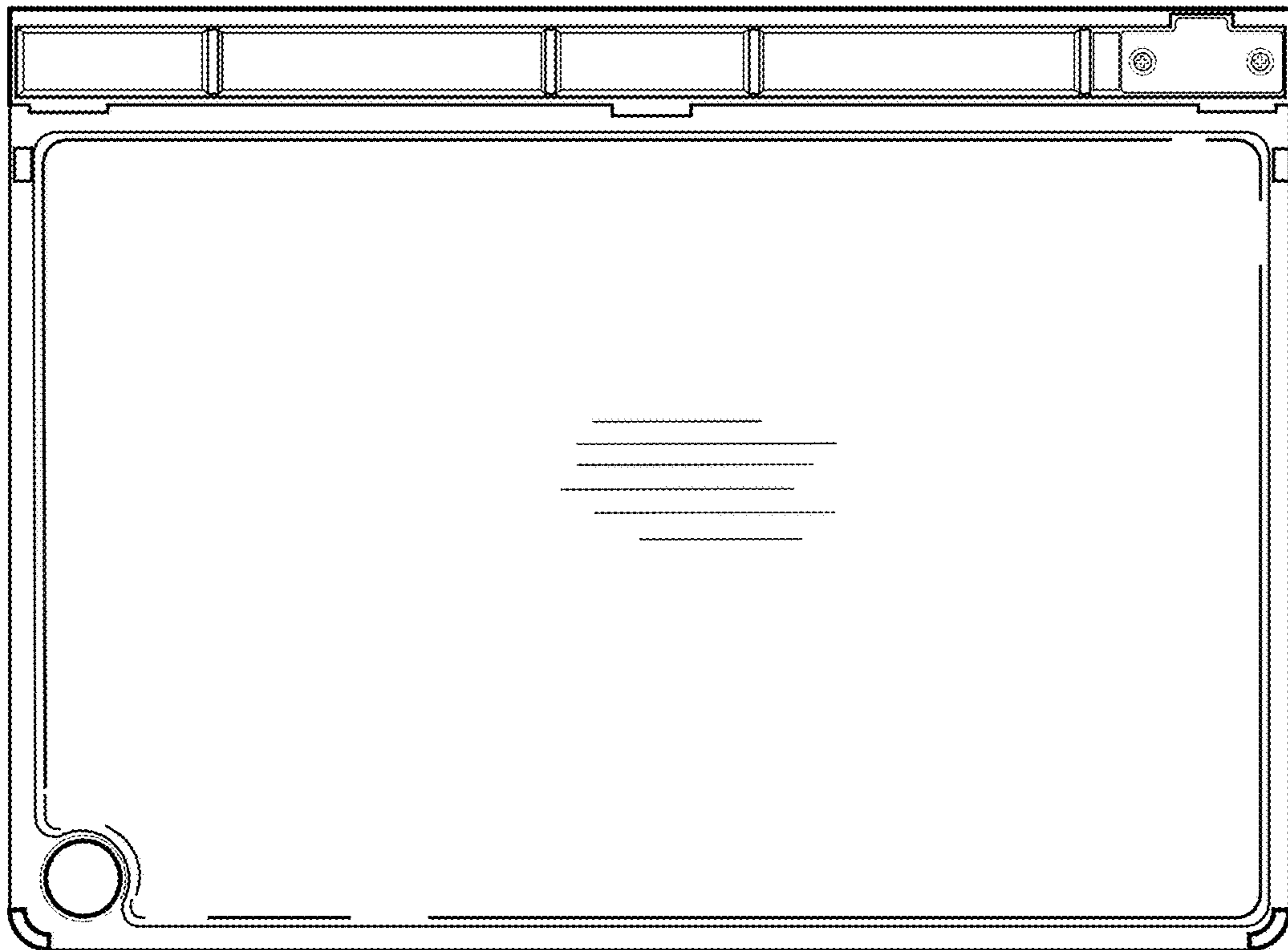


FIG. 5

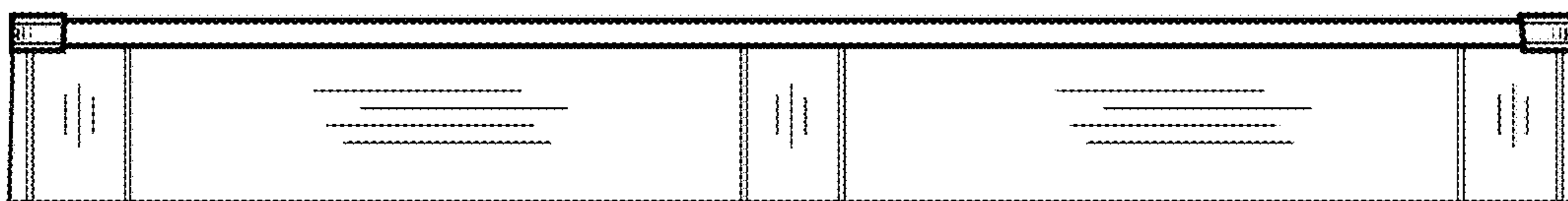


FIG. 6

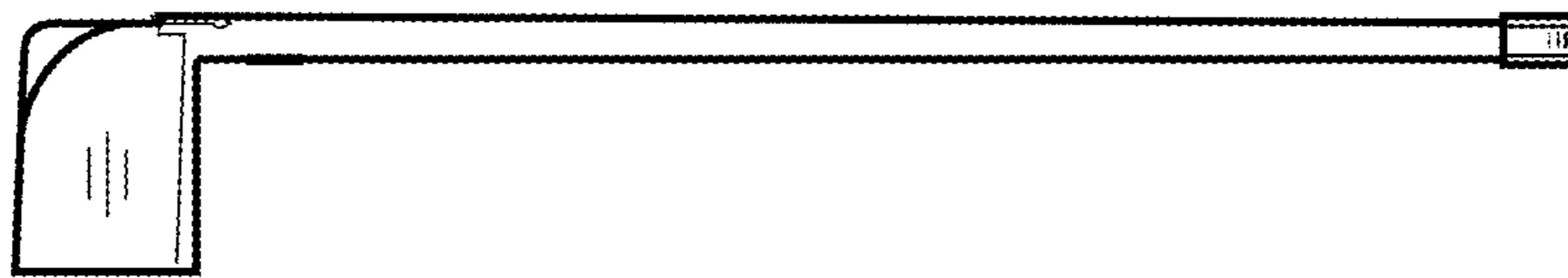


FIG. 7

