



US00D801134S

(12) **United States Design Patent**
Hundley

(10) **Patent No.:** **US D801,134 S**

(45) **Date of Patent:** **** Oct. 31, 2017**

(54) **FOOD SERVING STATION**

(71) Applicant: **The Vollrath Company, L.L.C.**,
Sheboygan, WI (US)

(72) Inventor: **Jill E. Hundley**, Sheboygan, WI (US)

(73) Assignee: **The Vollrath Company, L.L.C.**,
Sheboygan, WI (US)

(**) Term: **15 Years**

(21) Appl. No.: **29/529,373**

(22) Filed: **Jun. 5, 2015**

D659,490 S 5/2012 Saunders et al.
D670,981 S 11/2012 Saunders et al.
D677,131 S 3/2013 Saunders et al.
D741,120 S * 10/2015 Hundley D7/698
D760,020 S * 6/2016 Gagnon D7/368

* cited by examiner

Primary Examiner — Michael A. Pratt

(74) *Attorney, Agent, or Firm* — Foley & Lardner LLP

(57) **CLAIM**

I claim the ornamental design for a food serving station, as shown and described.

Related U.S. Application Data

(62) Division of application No. 29/476,523, filed on Dec. 13, 2013, now Pat. No. Des. 741,120.

(51) **LOC (10) Cl.** **07-04**

(52) **U.S. Cl.**
USPC **D7/698**

(58) **Field of Classification Search**
USPC ... D7/332, 354, 359–360, 368, 392.1, 396.1,
D7/409, 412, 505, 546, 550.1, 552.1,
D7/553.1, 554.3–554.4, 555, 586, 637,
D7/673, 698–699

CPC A23G 3/10; A23G 3/0051; A23G 3/0031
See application file for complete search history.

(56) **References Cited**

U.S. PATENT DOCUMENTS

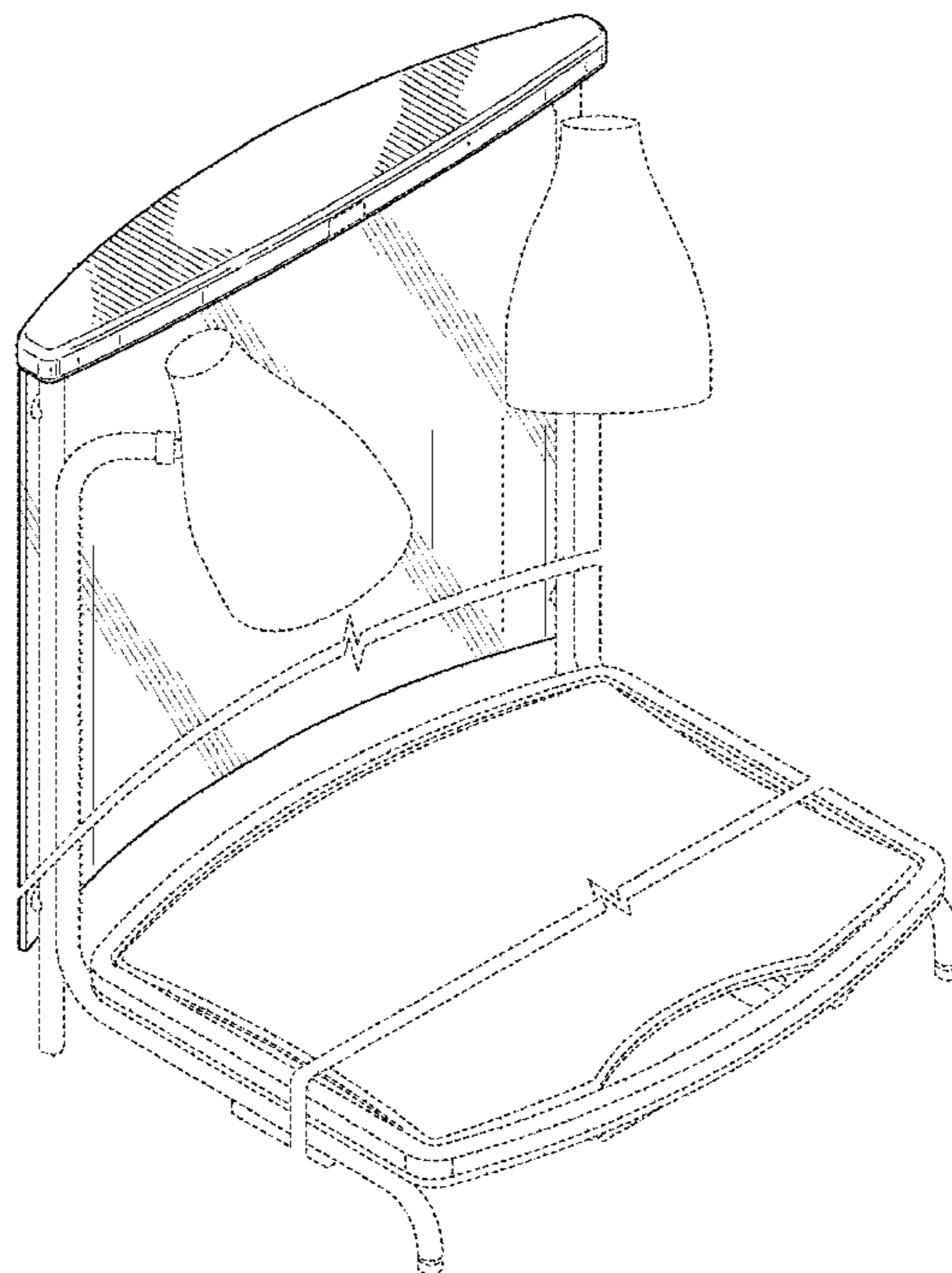
D360,785 S * 8/1995 Mooslin D6/699.3
D655,140 S 3/2012 Saunders et al.

DESCRIPTION

FIG. 1 is a perspective view of an embodiment of the claimed design;
FIG. 2 is a rear view thereof;
FIG. 3 is a front view thereof;
FIG. 4 is a left side view thereof;
FIG. 5 is a right side view thereof;
FIG. 6 is a top view thereof; and,
FIG. 7 is a bottom view thereof.

The ornamental design which is claimed is shown in solid lines in the drawings. The broken lines in the drawings form no part of the claimed design. Broken lines formed by equal length dashes show unclaimed subject matter. Broken lines formed by unequal length dashes (i.e., dash-dot) define bounds of the claimed design. Broken away symbols having a jagged element show that no particular length of the portion is claimed.

1 Claim, 7 Drawing Sheets



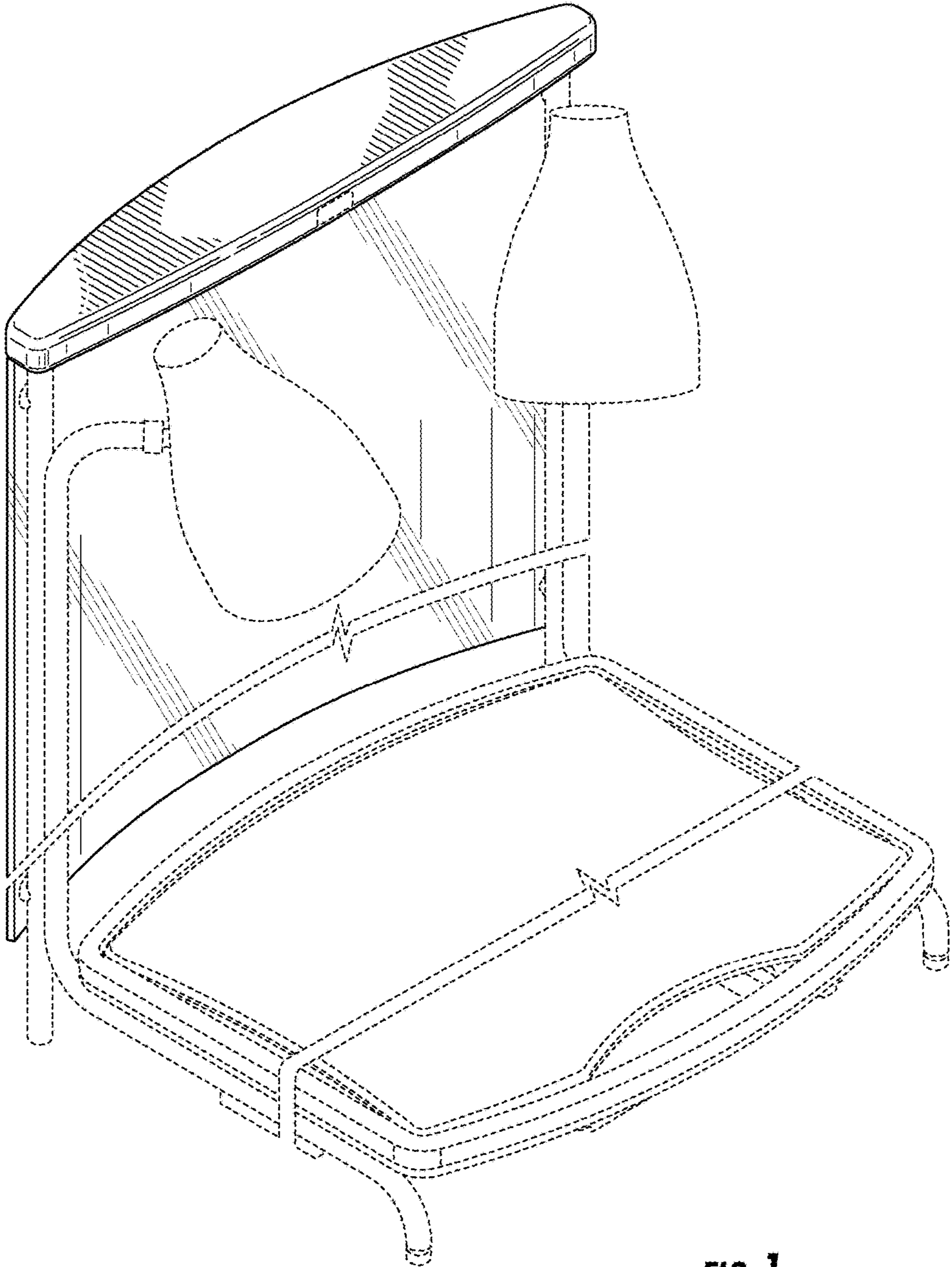


FIG. 1

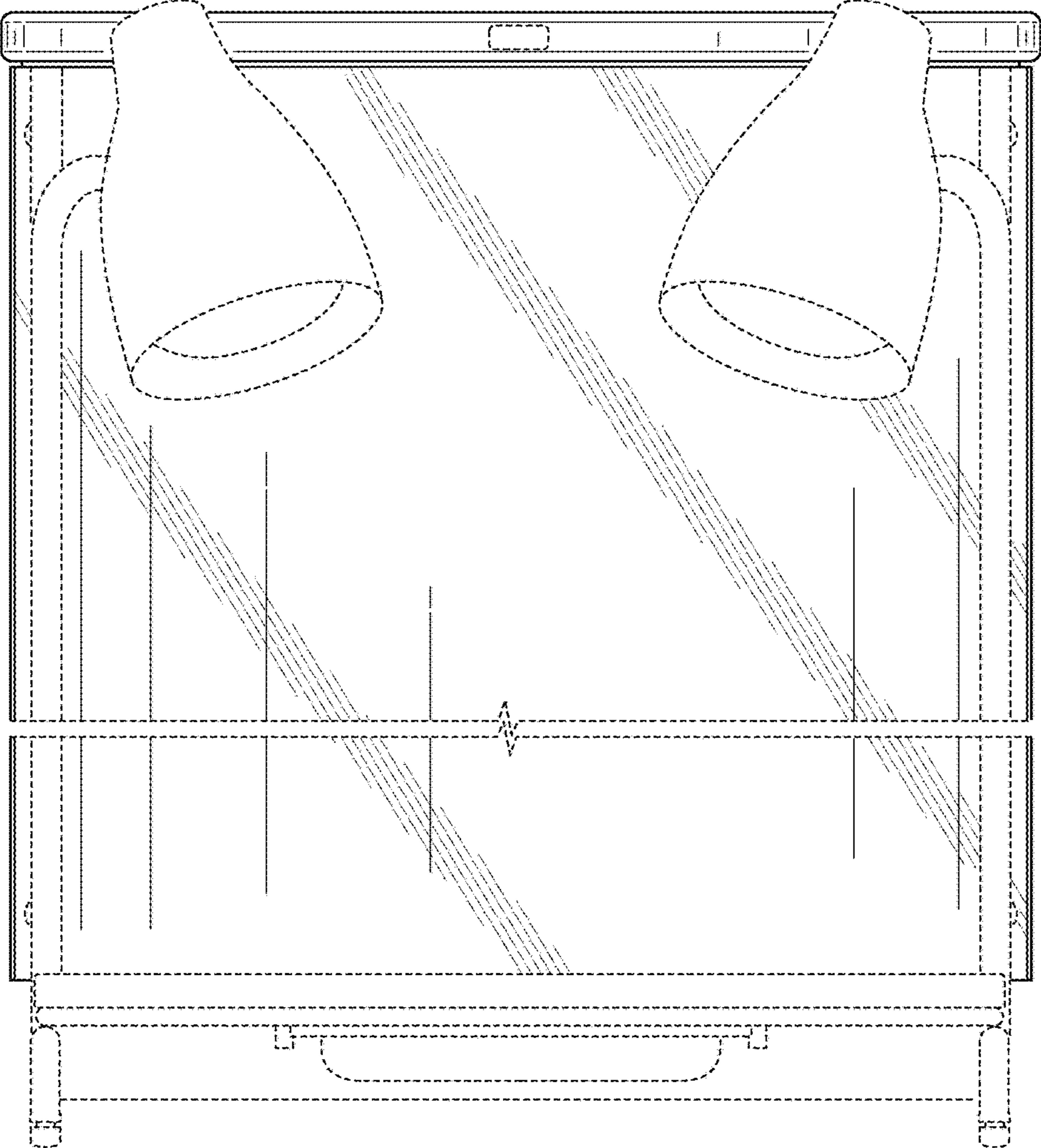


FIG. 2

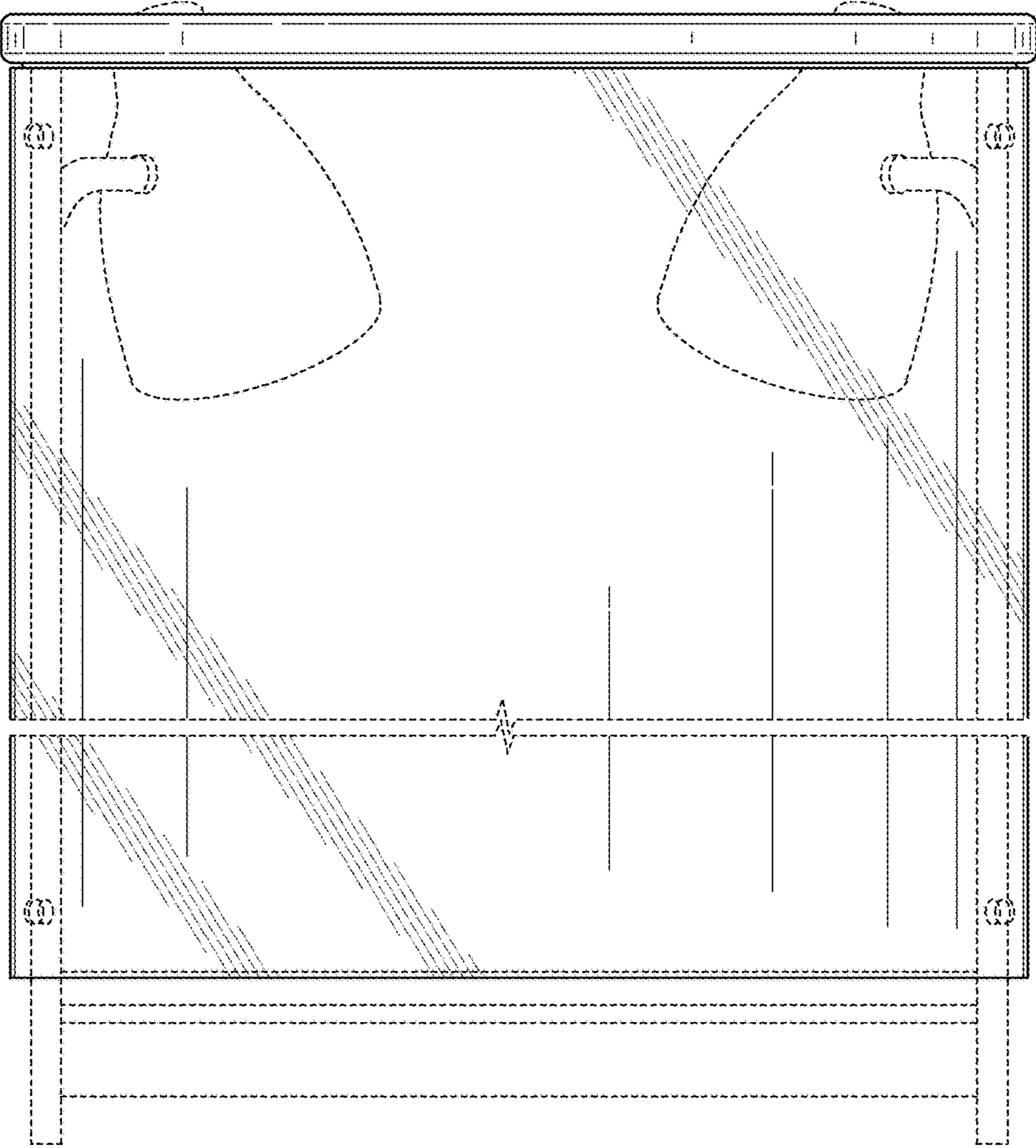


FIG. 3

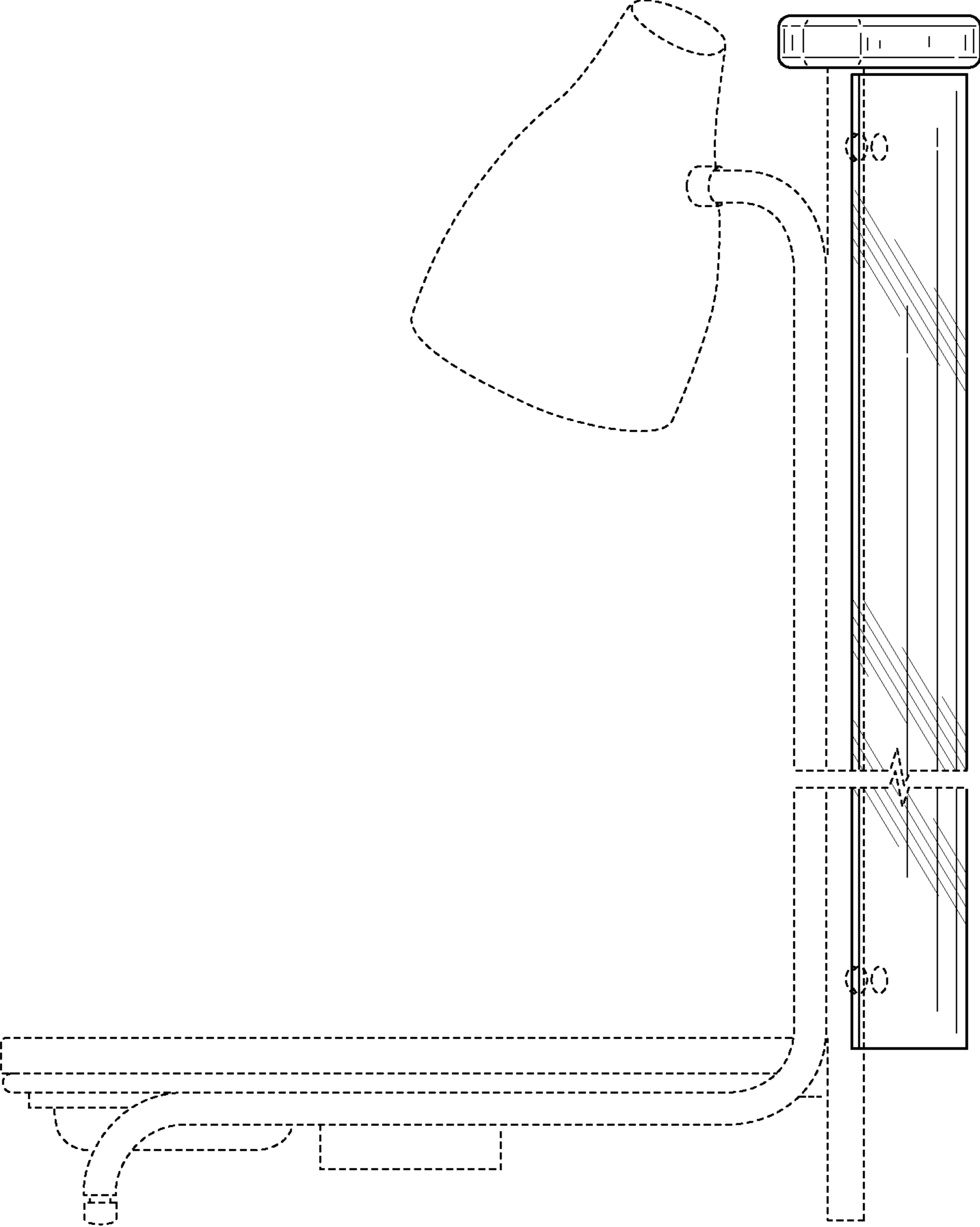


FIG. 4

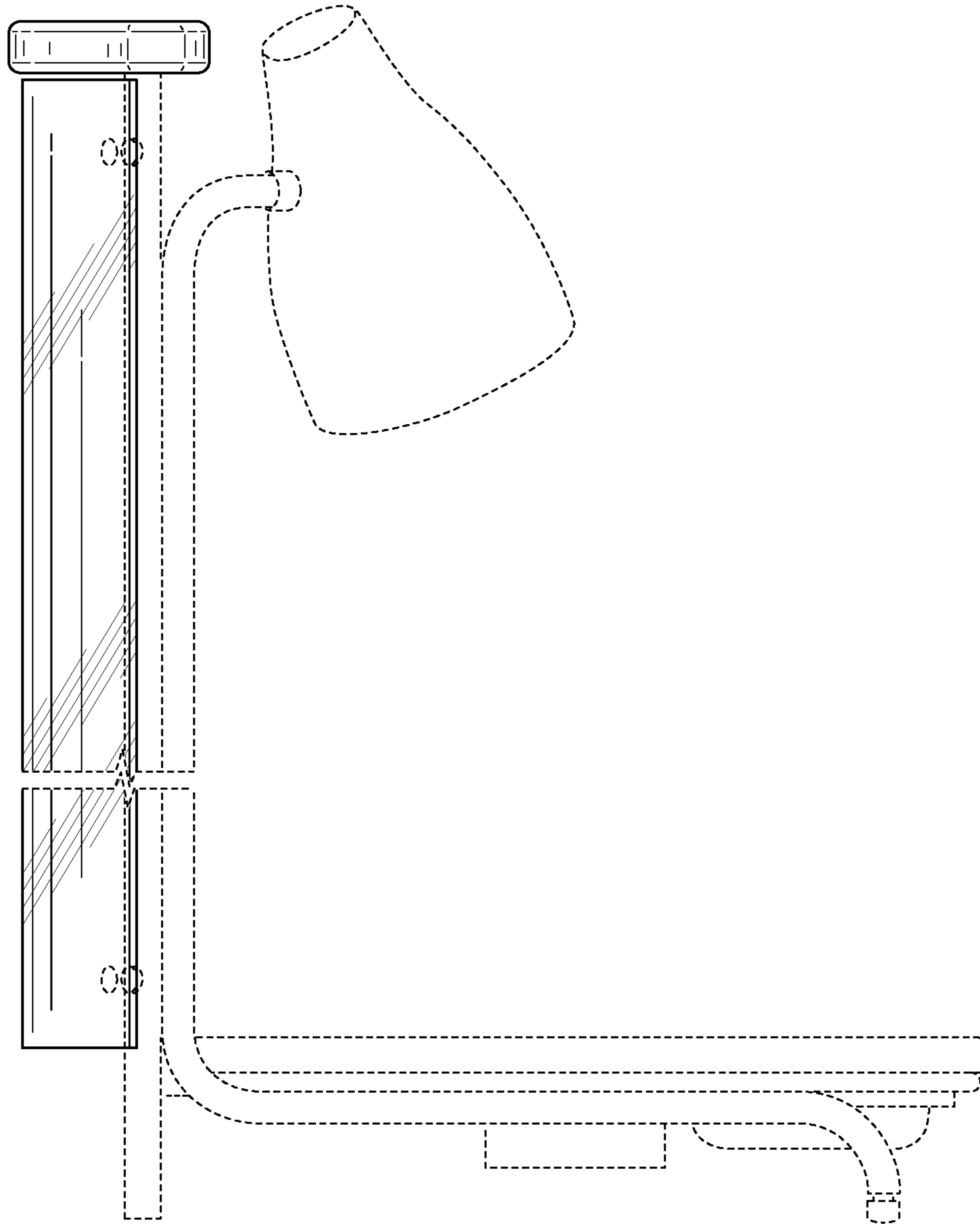


FIG. 5

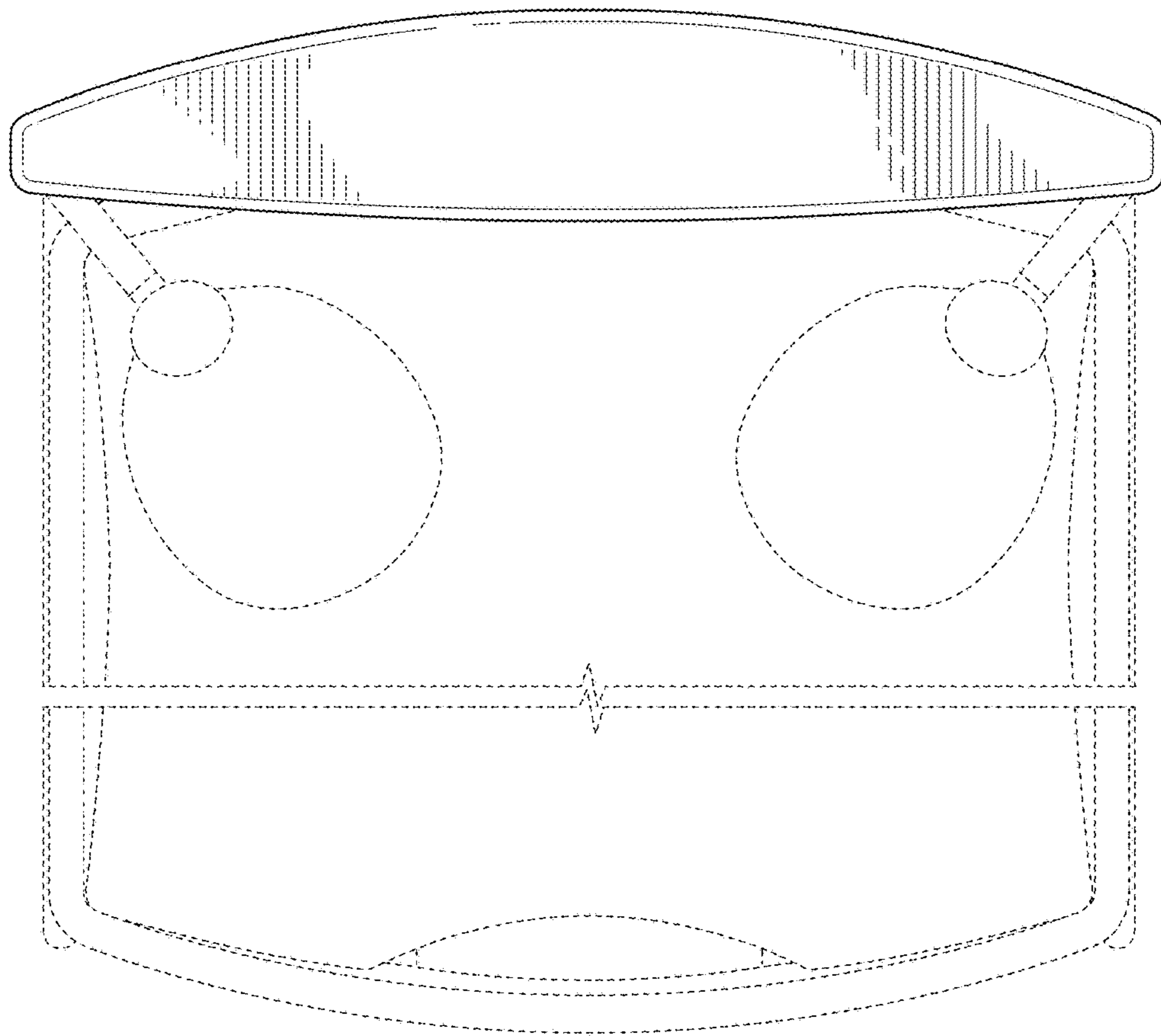


FIG. 6

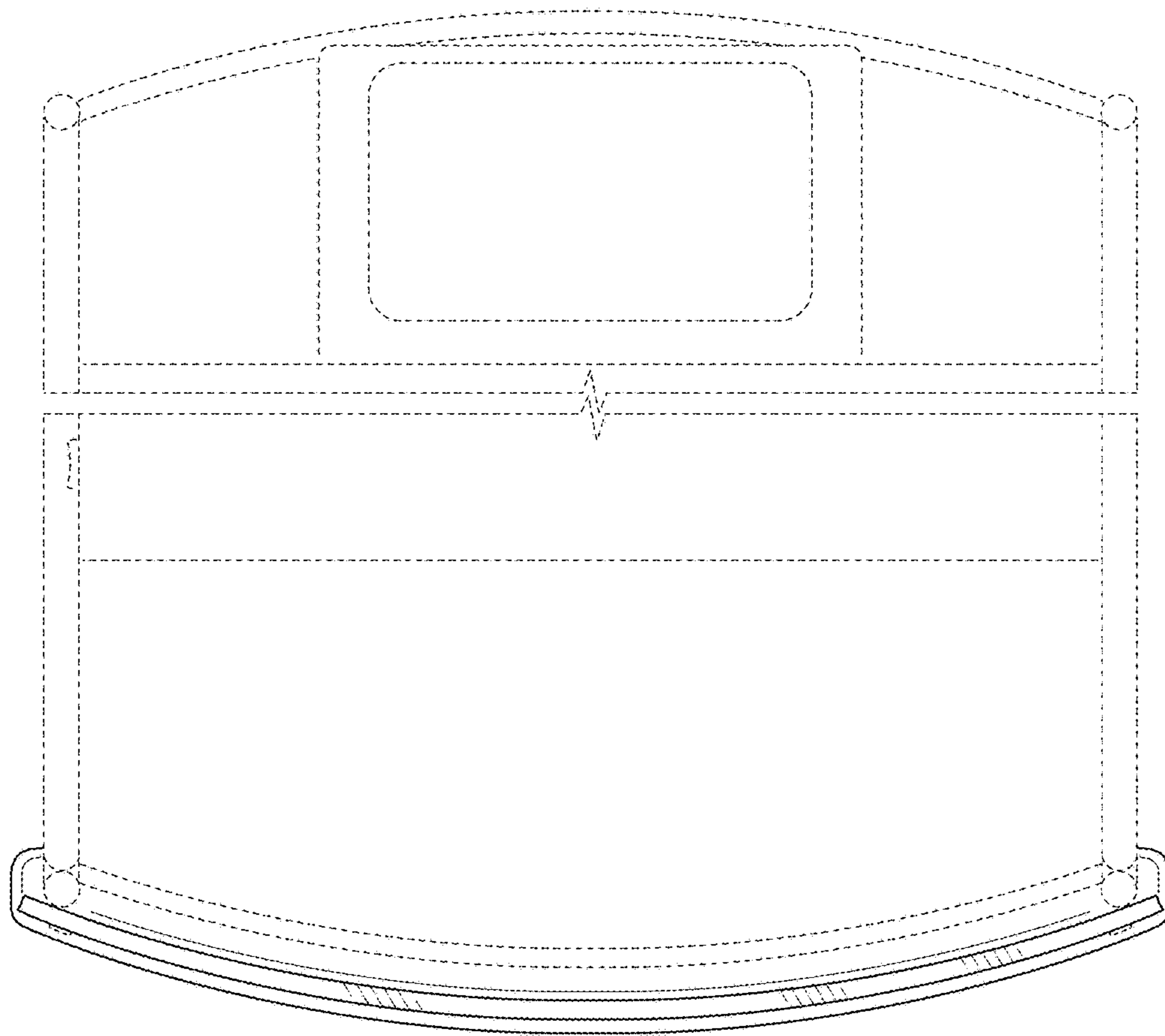


FIG. 7