



US00D801133S

(12) **United States Design Patent**
Jaun

(10) **Patent No.:** **US D801,133 S**
(45) **Date of Patent:** **** Oct. 31, 2017**

(54) **PASTRY WHEEL**
(71) Applicant: **BETTY BOSSI AG**, Zurich (CH)
(72) Inventor: **Christoph Jaun**, Zurich (CH)
(73) Assignee: **Betty Bossi AG**, Zürich (CH)
(**) Term: **15 Years**
(21) Appl. No.: **35/501,272**
(22) Filed: **Jul. 4, 2016**

1,343,844 A * 6/1920 Rapavy A21C 5/00
30/307
2,007,768 A * 7/1935 Olevin A21C 11/106
30/306
2,284,455 A * 5/1942 Stauffacher A21C 11/106
30/306
3,138,823 A * 6/1964 Langner A22C 9/008
172/21
D252,180 S * 6/1979 Zuber D24/211
D253,155 S * 10/1979 Jurida D24/211
4,606,126 A * 8/1986 Davis A21C 11/106
30/307
D614,461 S * 4/2010 Bourgeois D7/672
D780,538 S * 3/2017 Arobas D7/694

(80) **Hague Agreement Data**

Int. Filing Date: **Jul. 4, 2016**
Int. Reg. No.: **DM/091591**
Int. Reg. Date: **Jul. 4, 2016**
Int. Reg. Pub. Date: **Jul. 22, 2016**

OTHER PUBLICATIONS

Snack Cutter Triangle, by Betty Bossi, YouTube [online], published Feb. 1, 2016, [retrieved on Jul. 11, 2017]. Retrieved from the Internet <URL: <https://www.youtube.com/watch?v=RI3WJRiAuNY>>.*

(51) **LOC (10) Cl.** **07-04**

(52) **U.S. Cl.**
USPC **D7/694**

(58) **Field of Classification Search**
USPC D7/688-697, 649-652, 672-677, 669,
D7/412, 413, 372, 376-386, 679, 393;
D24/211
CPC A21C 11/04; A21C 11/02; A21C 11/12;
A21C 3/021; A21C 3/00; A21C 11/106;
A21C 11/10

See application file for complete search history.

* cited by examiner

Primary Examiner — Sheryl Lane
Assistant Examiner — Nicole Shiflet
(74) *Attorney, Agent, or Firm* — Volpe and Koenig, P.C.

(57) **CLAIM**

The ornamental design for a pastry wheel, as shown and described.

DESCRIPTION

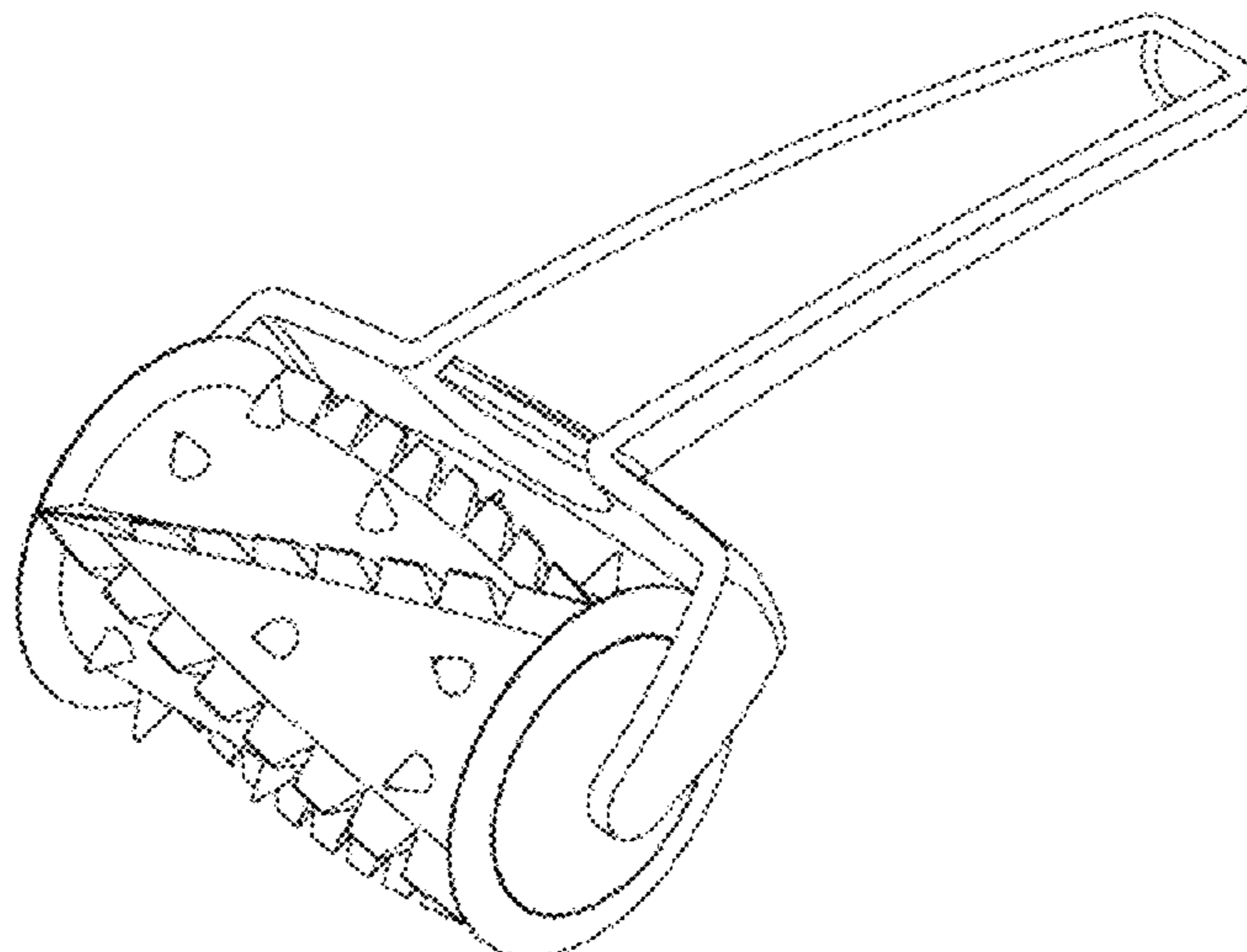
(56) **References Cited**

U.S. PATENT DOCUMENTS

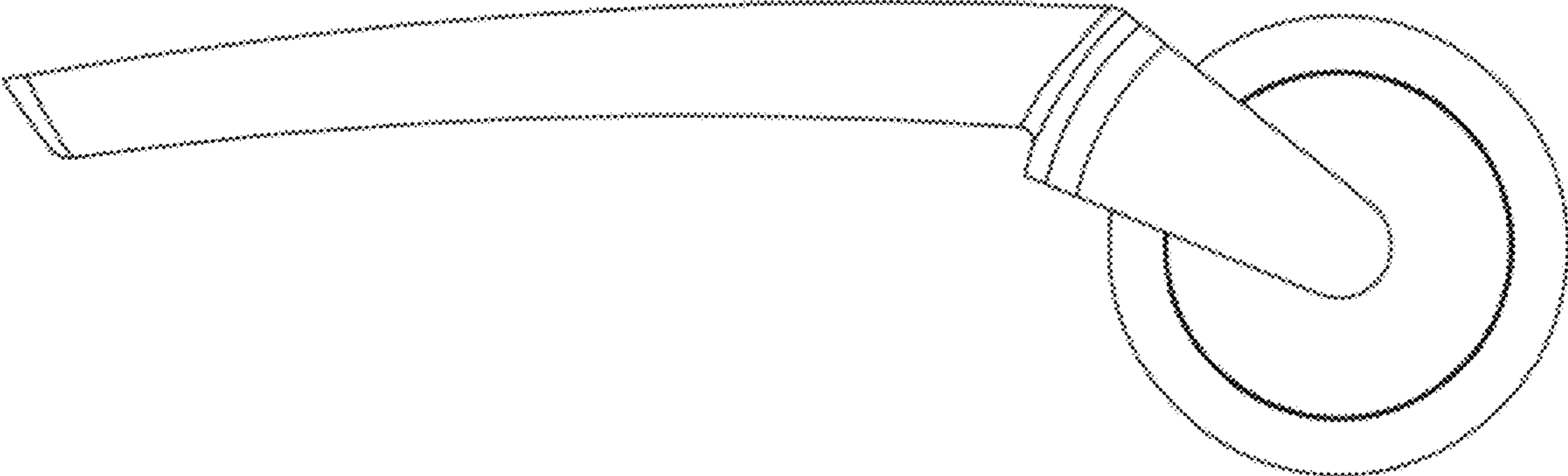
448,482 A * 3/1891 Ginter A22C 9/008
30/306
504,834 A * 9/1893 Grotenhuis et al. . A21C 11/106
30/306
801,466 A * 10/1905 Listle A21C 11/106
30/306
841,152 A * 1/1907 Jelley A21C 11/106
30/307

- 1. Pastry wheel
- 1.1 : Right
- 1.2 : Top
- 1.3 : Perspective
- 1.4 : Back
- 1.5 : Front
- 1.6 : Bottom
- 1.7 : Left

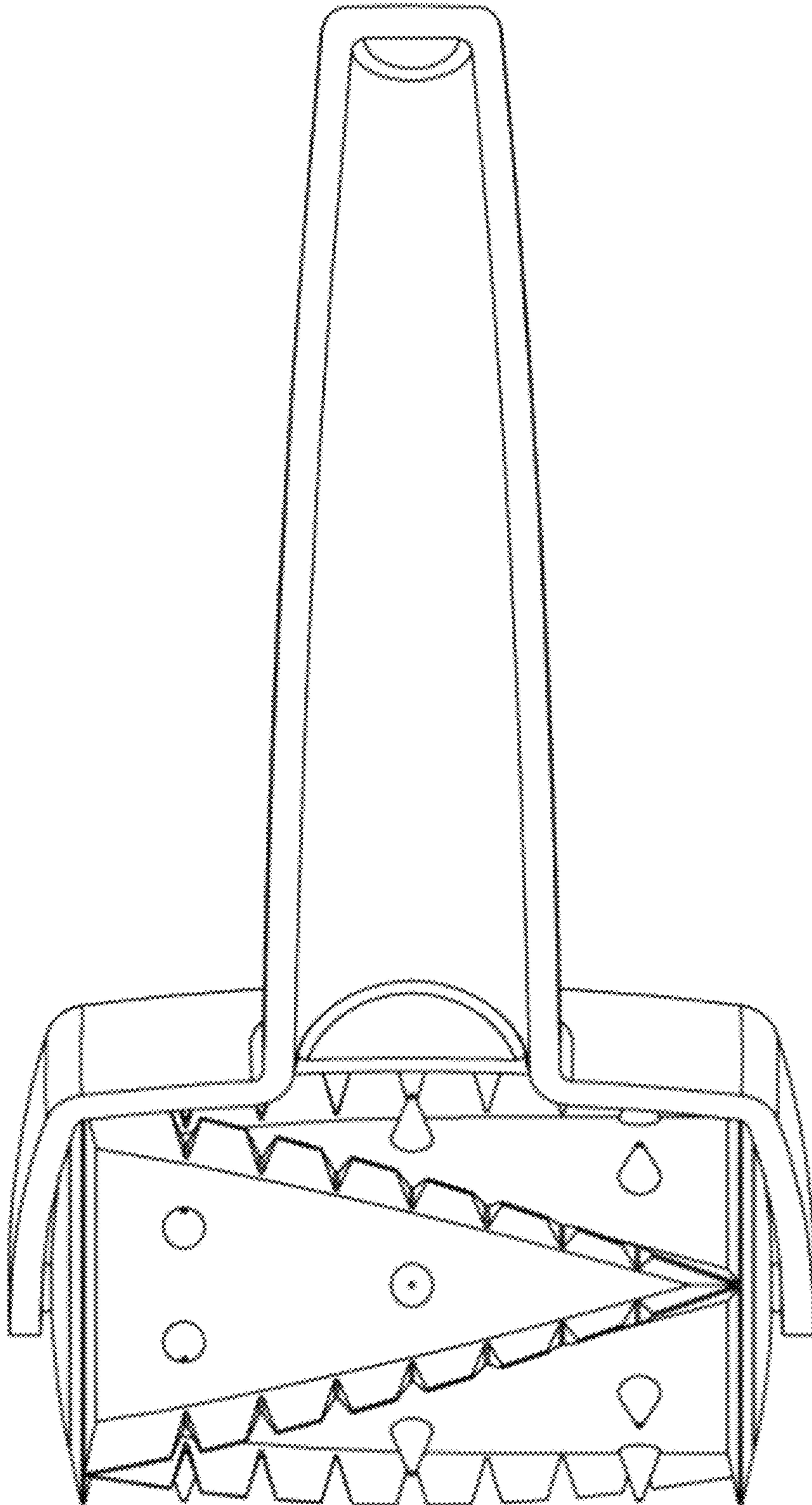
1 Claim, 7 Drawing Sheets



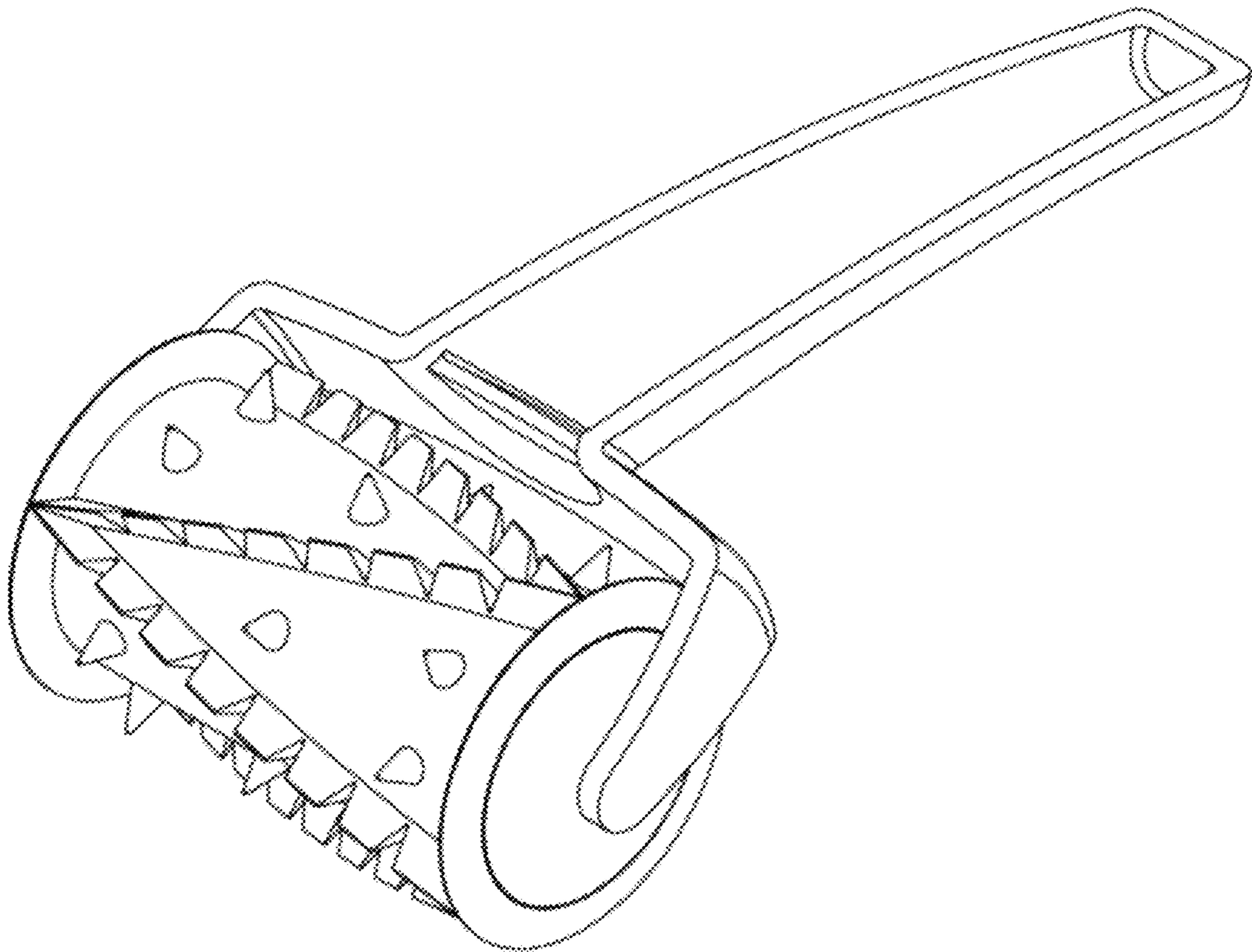
1.1



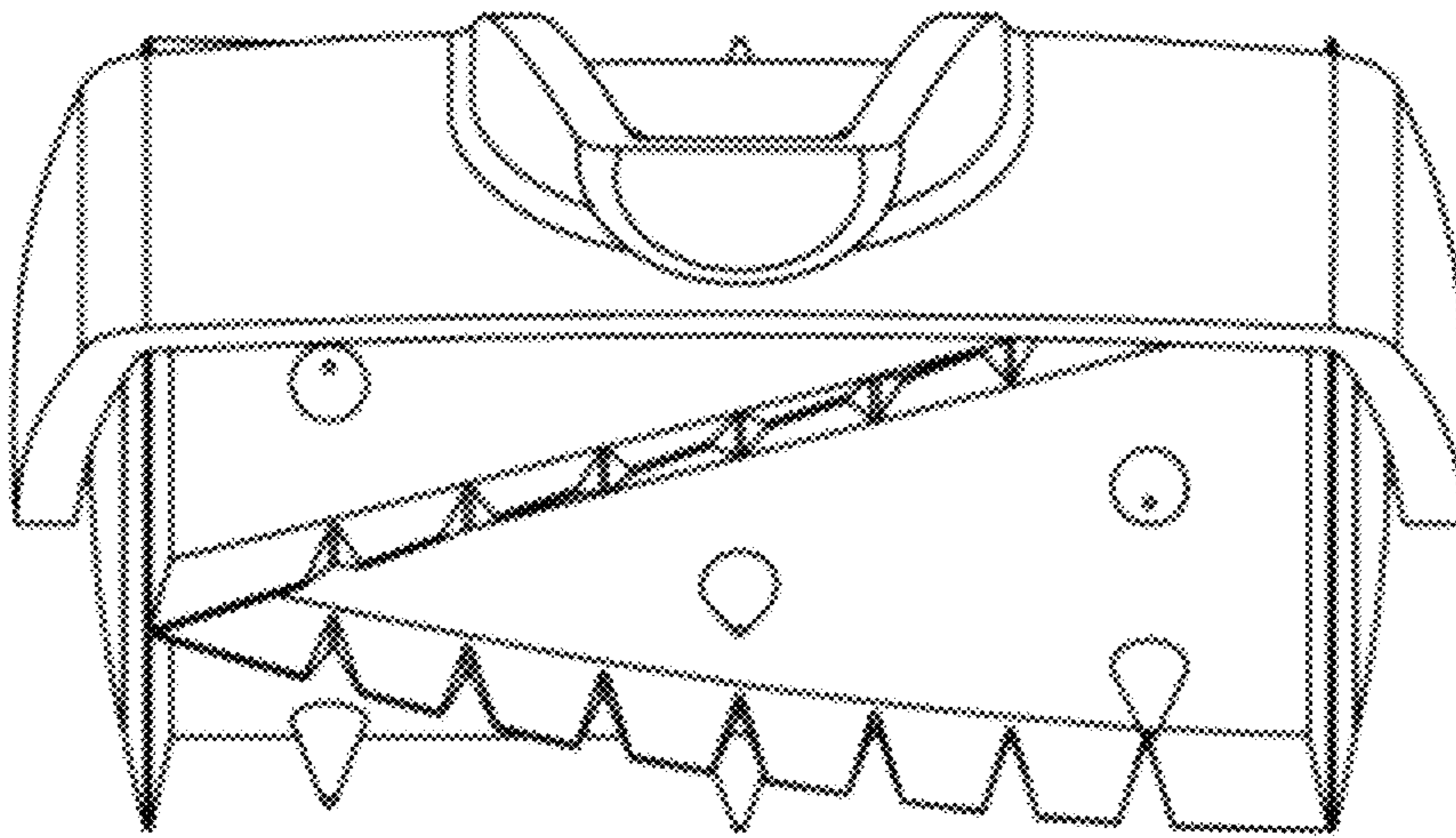
1.2



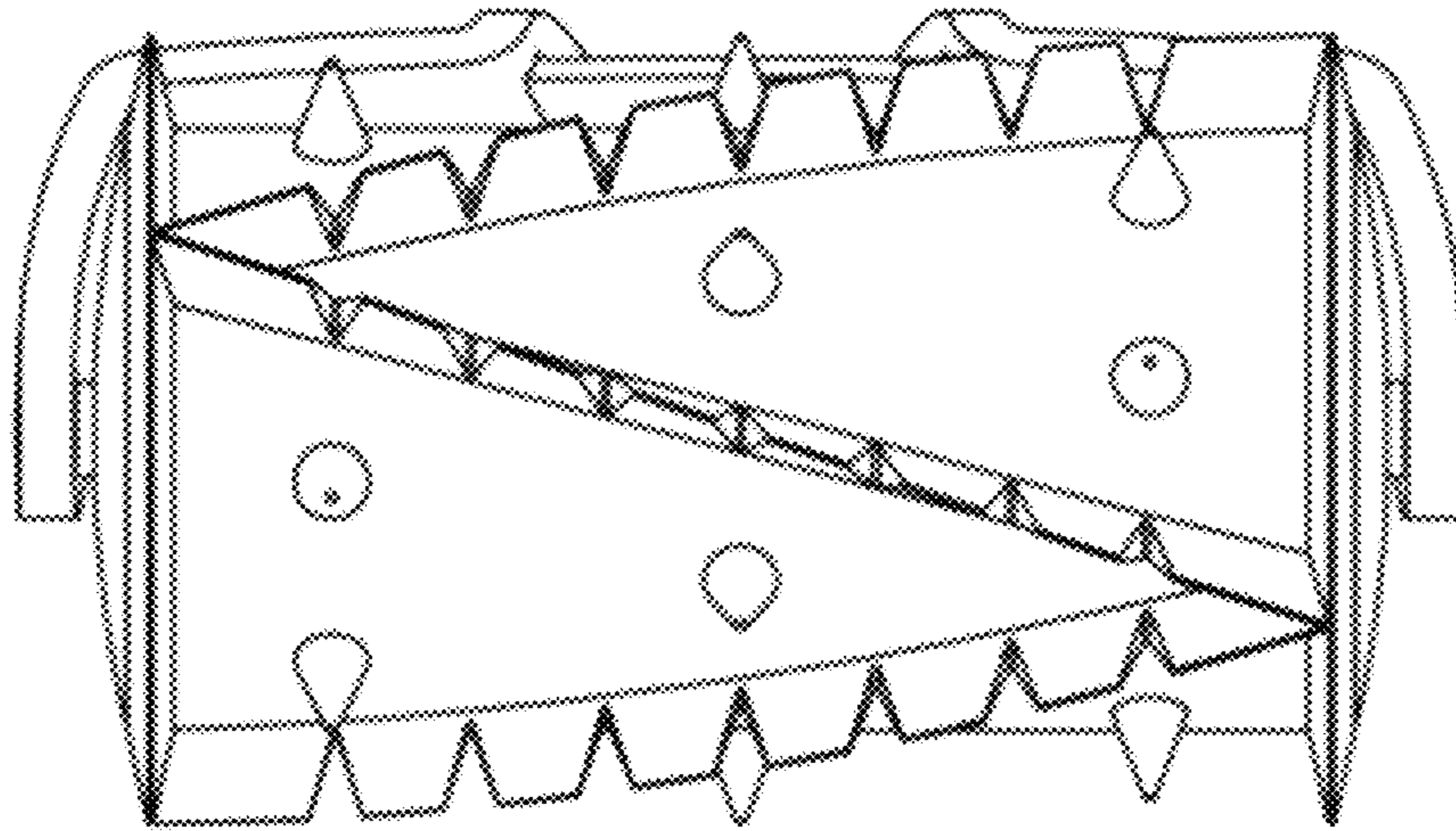
1.3



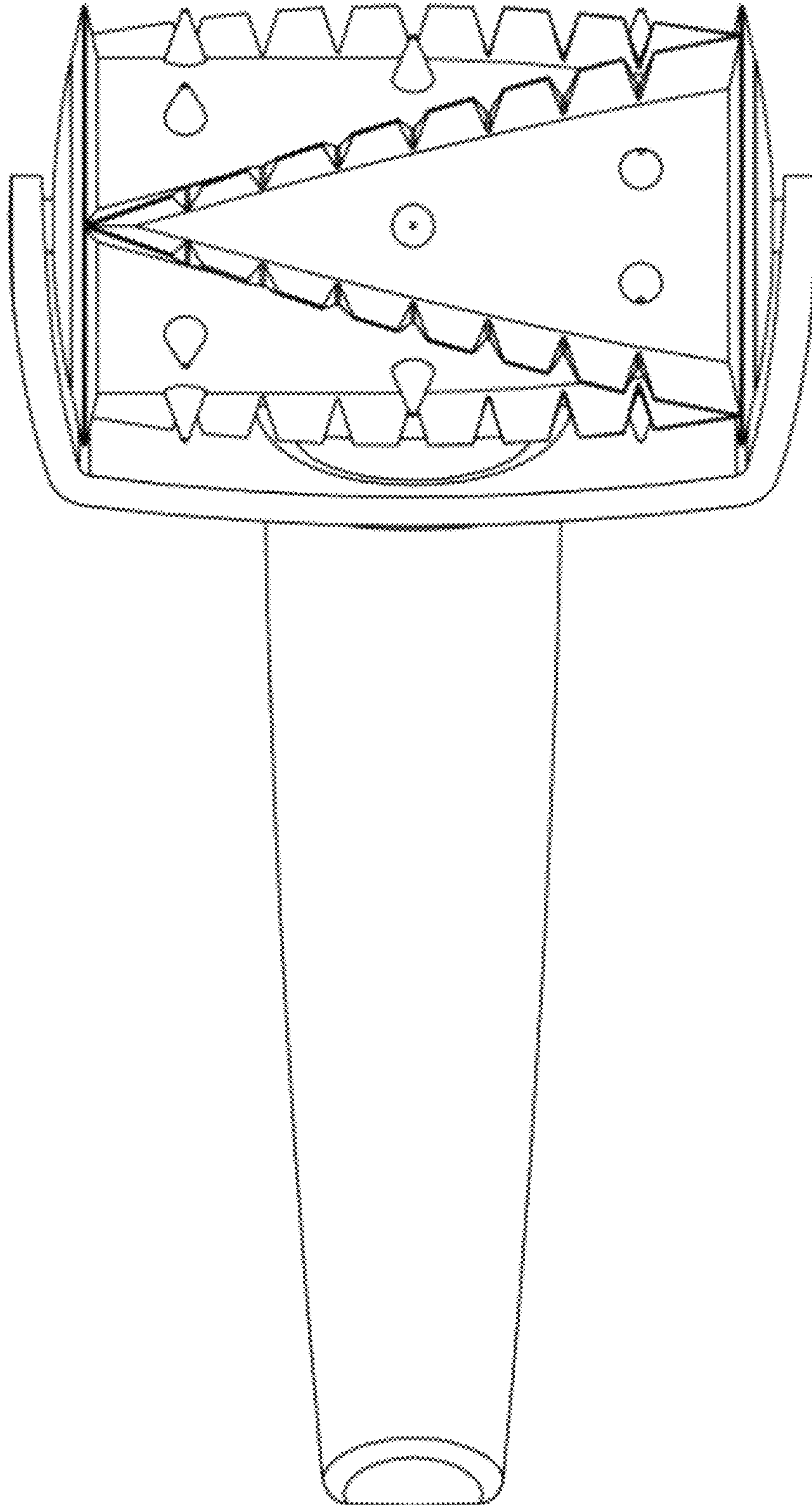
1.4



1.5



1.6



1.7

