



US00D801132S

(12) **United States Design Patent**  
**Hauser**

(10) **Patent No.:** **US D801,132 S**

(45) **Date of Patent:** **\*\* \*Oct. 31, 2017**

(54) **PIZZA CUTTER WITH BOTTLE OPENER**

5,555,625 A \* 9/1996 Scheminger ..... B26B 25/005  
30/307

(71) Applicant: **Progressive International Corporation, Kent, WA (US)**

D456,227 S \* 4/2002 Tse ..... D8/33  
D642,879 S \* 8/2011 Chan ..... D7/694  
2009/0223068 A1 \* 9/2009 Sawhney ..... B26B 25/005  
30/319

(72) Inventor: **Lawrence M. Hauser, Auburn, WA (US)**

\* cited by examiner

(73) Assignee: **PROGRESSIVE INTERNATIONAL CORPORATION, Kent, WA (US)**

*Primary Examiner* — Terry Wallace

(74) *Attorney, Agent, or Firm* — Lowe Graham Jones PLLC

(\*) Notice: This patent is subject to a terminal disclaimer.

(\*\*) Term: **15 Years**

(57) **CLAIM**

I claim the ornamental design for the pizza cutter with bottle opener, as shown and described.

(21) Appl. No.: **29/548,155**

**DESCRIPTION**

(22) Filed: **Dec. 10, 2015**

(51) **LOC (10) Cl.** ..... **07-04**

(52) **U.S. Cl.**  
USPC ..... **D7/694; D8/34**

(58) **Field of Classification Search**  
USPC ..... D7/680–696, 393, 395; D8/33, 34, 40,  
D8/43, 19

CPC ..... B26B 25/005; B26B 29/00; A47J 17/02;  
B26D 7/2621; E05B 19/00; B67B 7/403;  
B67B 7/44; B67B 7/0444; B67B 7/16

See application file for complete search history.

FIG. 1 is a top perspective view of the pizza cutter with bottle opener, showing my new design.

FIG. 2 is a bottom perspective view of the pizza cutter with bottle opener.

FIG. 3 is a front view of the pizza cutter with bottle opener.

FIG. 4 is a rear view of the pizza cutter with bottle opener.

FIG. 5 is a left side view of the pizza cutter with bottle opener.

FIG. 6 is a right side view of the pizza cutter with bottle opener.

FIG. 7 is a top view of the pizza cutter with bottle opener.

FIG. 8 is a bottom view of the pizza cutter with bottle opener; and,

FIG. 9 is a sectional view of the pizza cutter with bottle opener, taken along line 9-9 in FIG. 1.

Details shown in broken lines form no part of the claimed design.

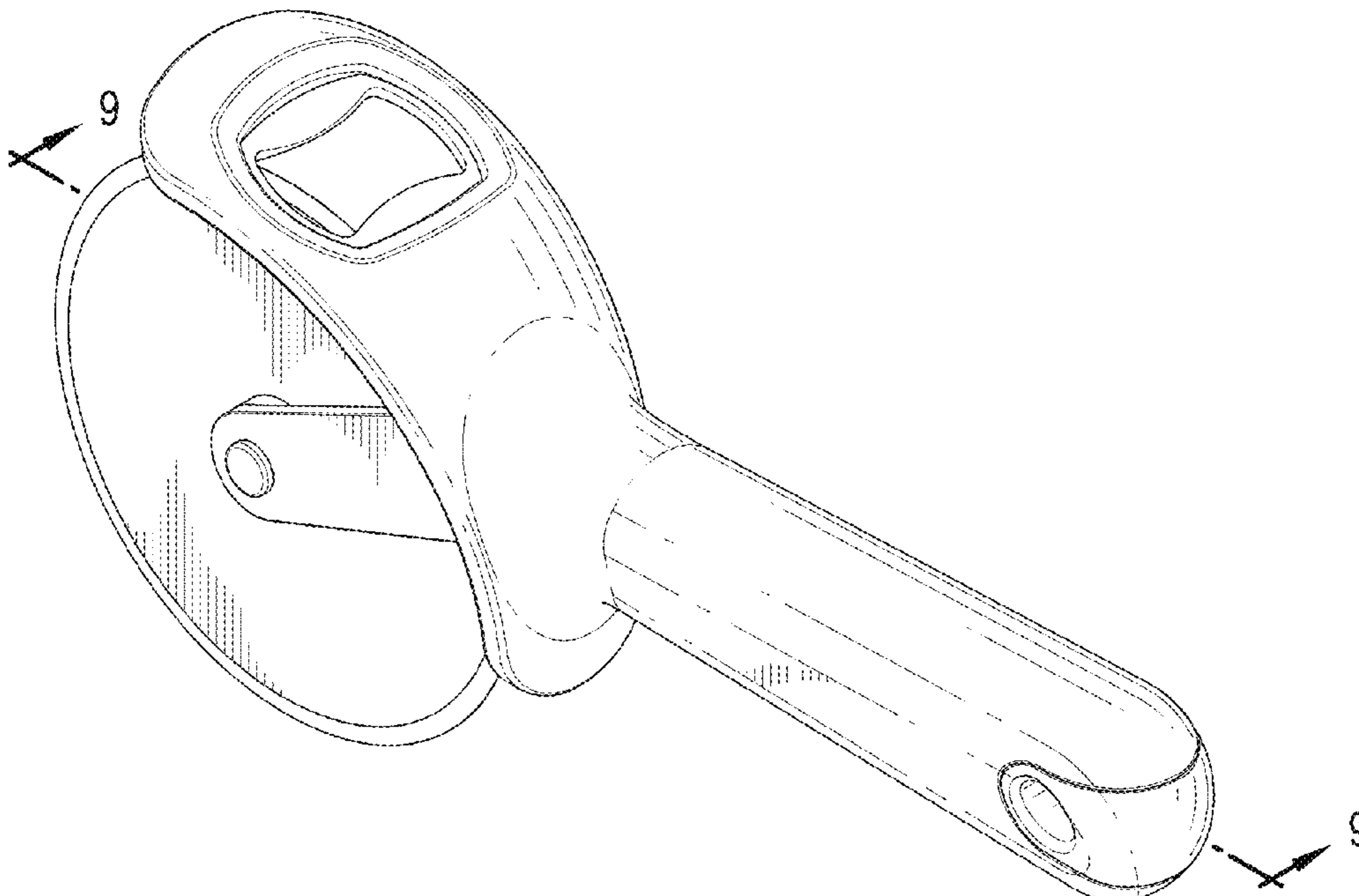
(56) **References Cited**

**U.S. PATENT DOCUMENTS**

4,809,437 A \* 3/1989 Saliaris ..... B26B 25/005  
30/307

5,101,564 A \* 4/1992 Melter ..... B26B 5/003  
30/292

**1 Claim, 8 Drawing Sheets**



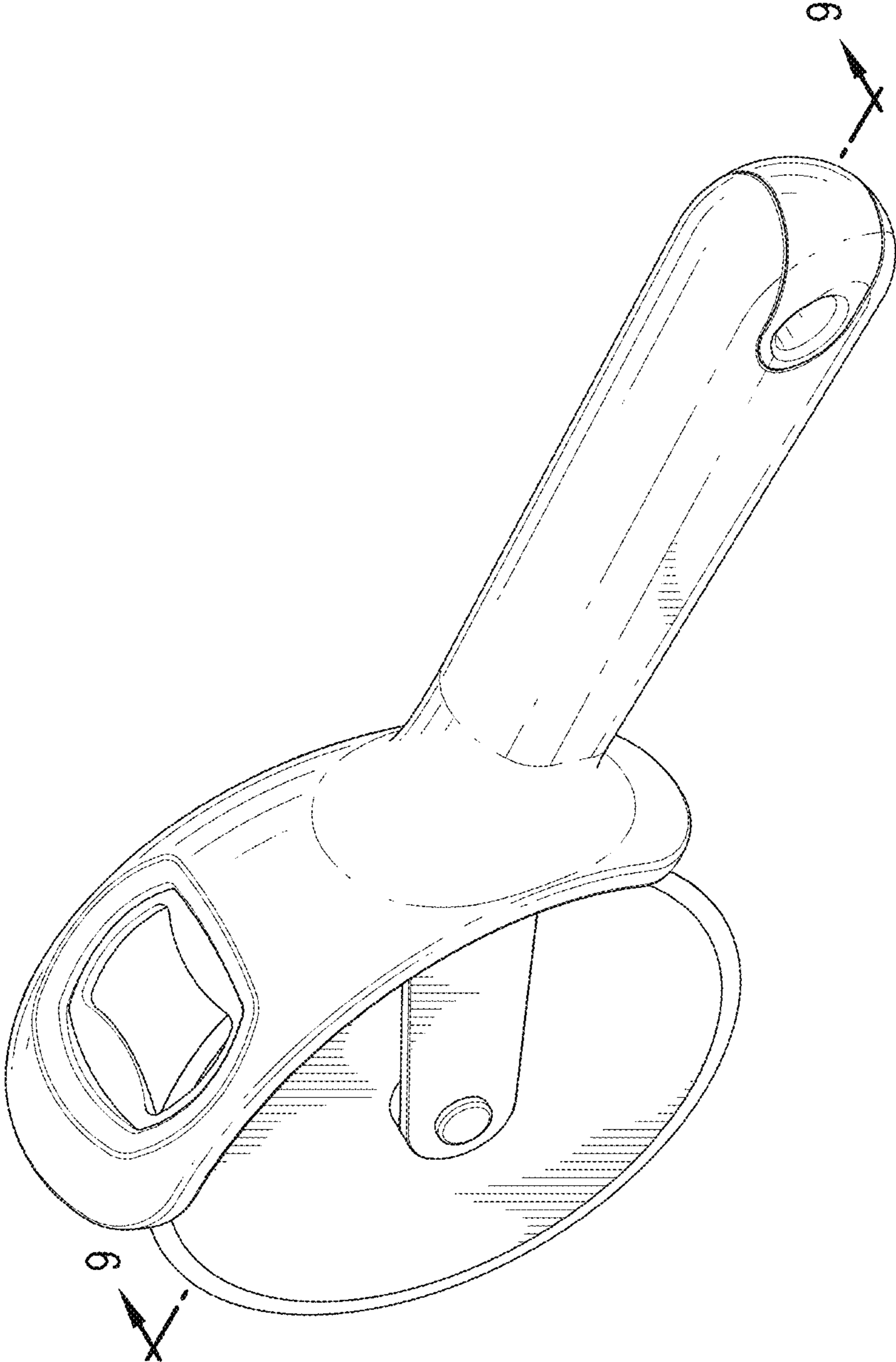


FIG. 1

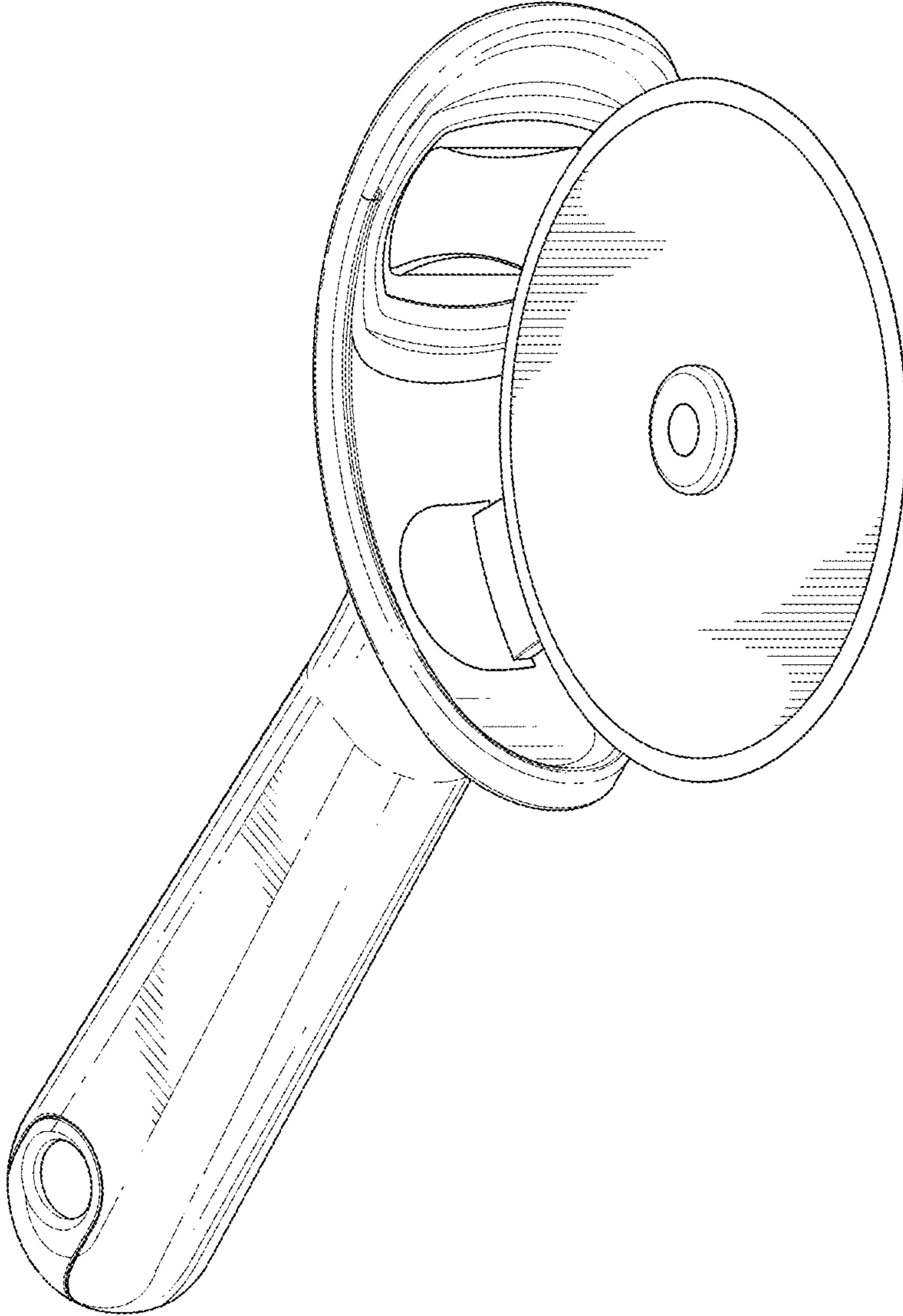


FIG. 2

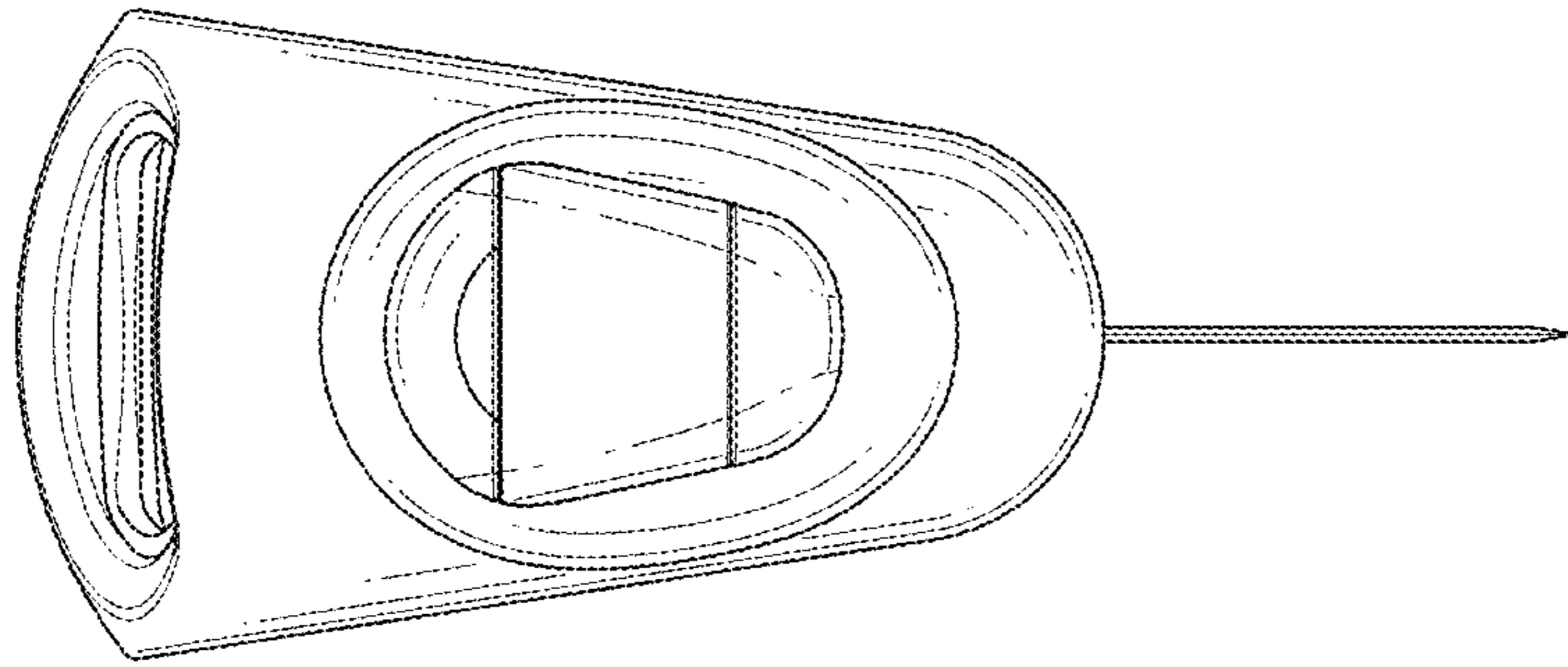


FIG. 4

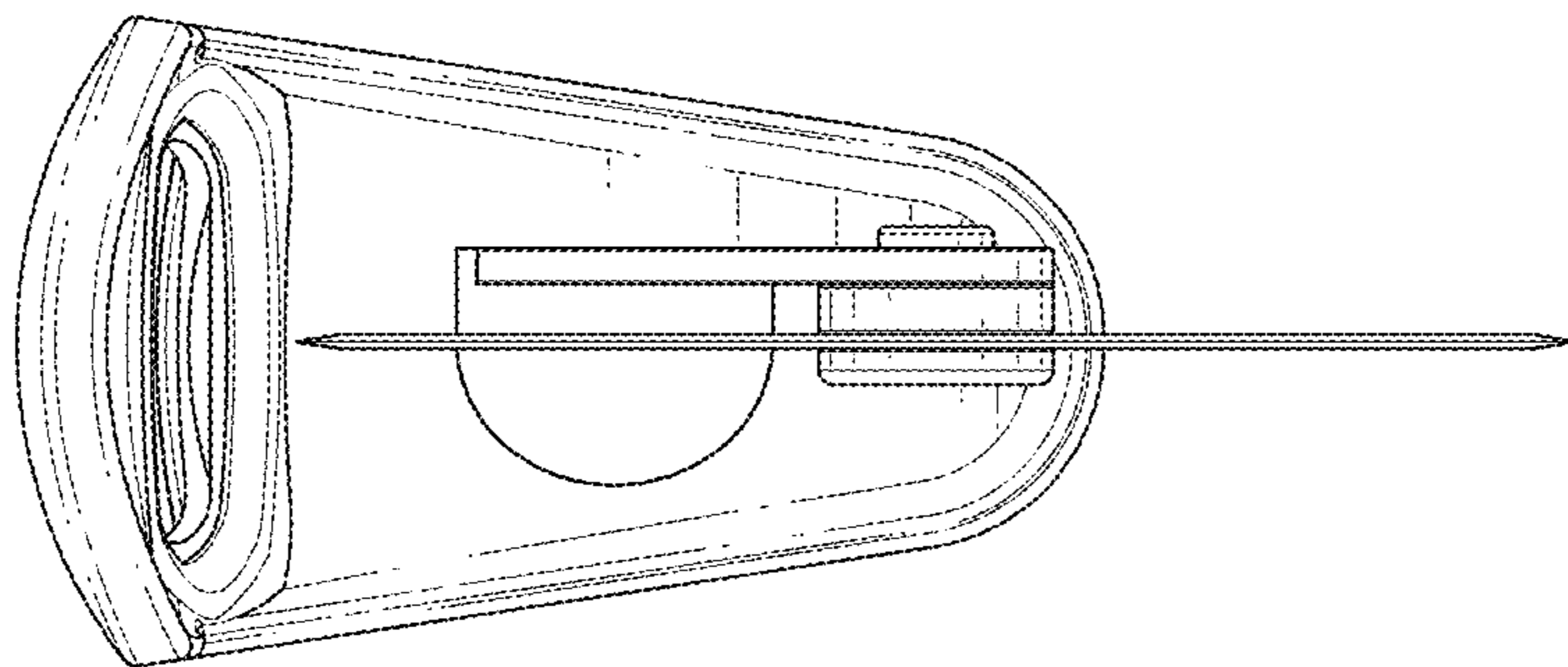


FIG. 3

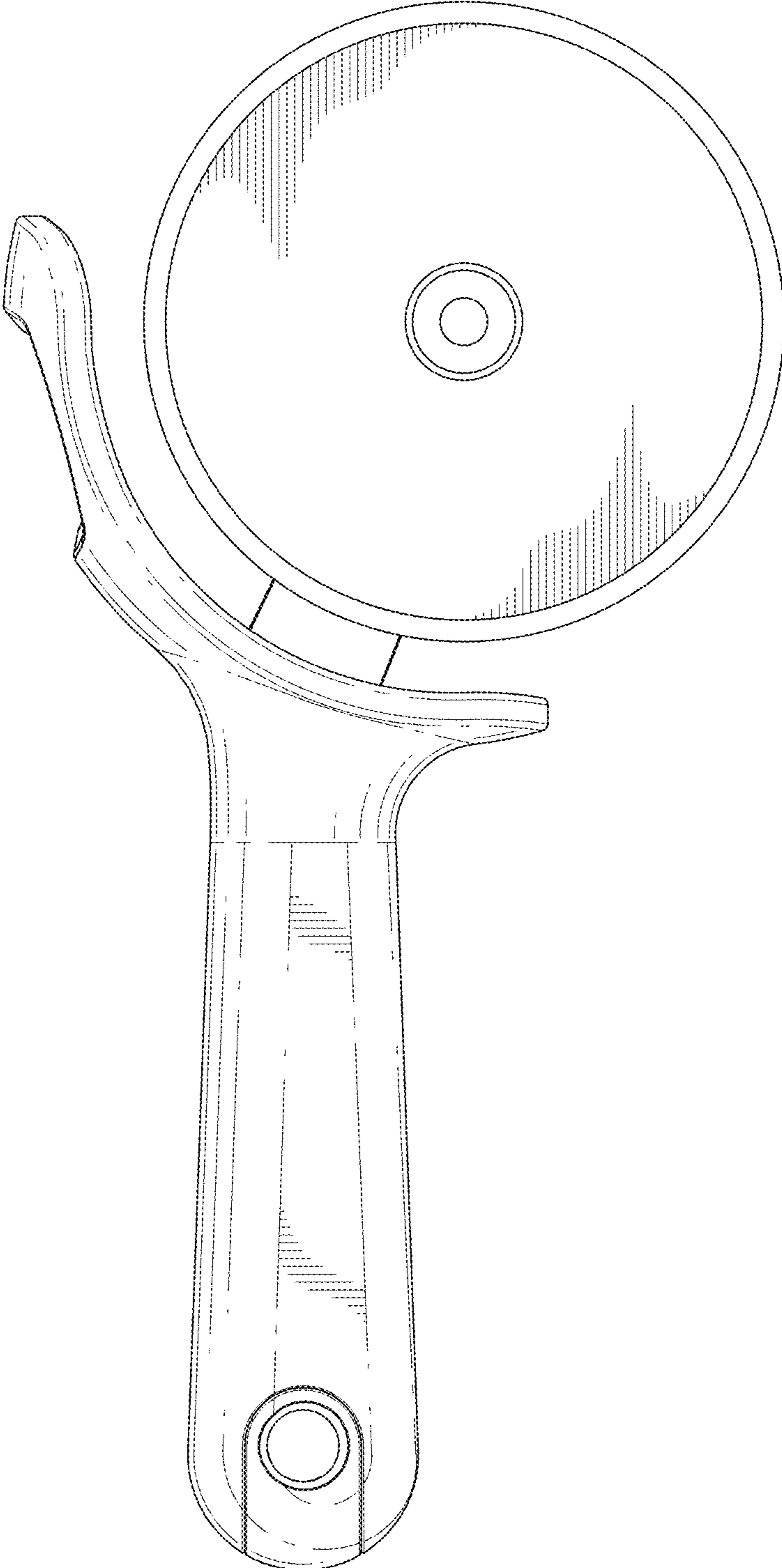


FIG. 5



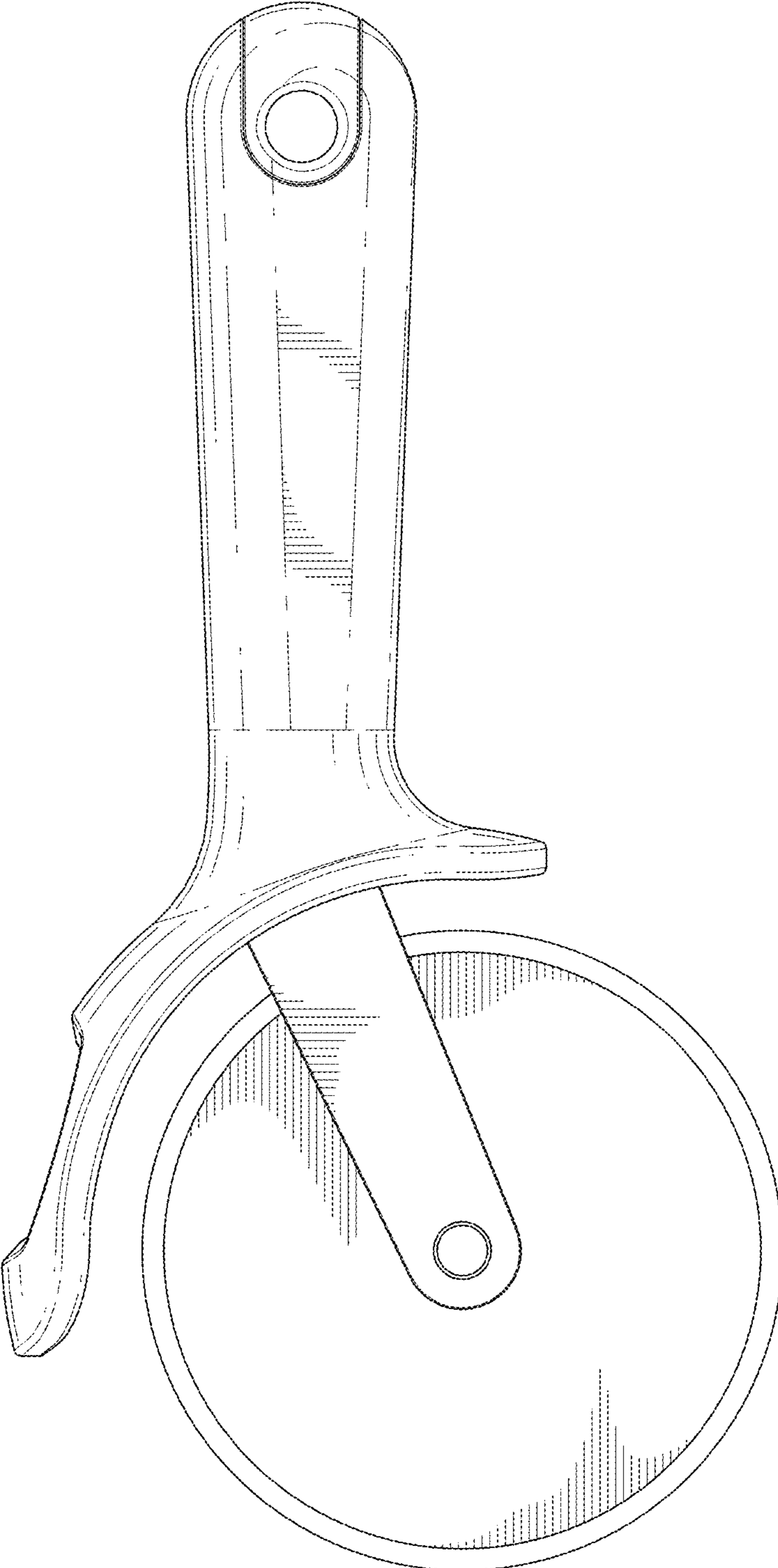


FIG. 6

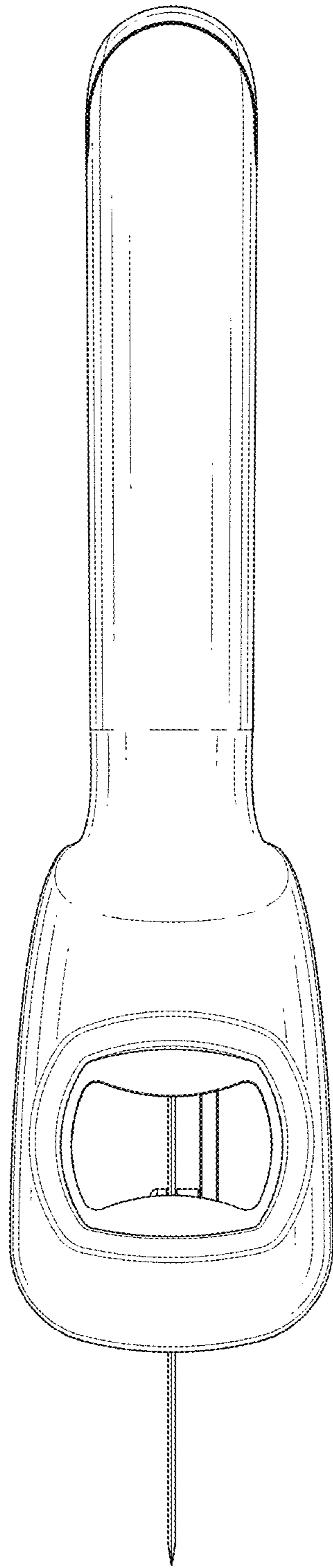


FIG. 7

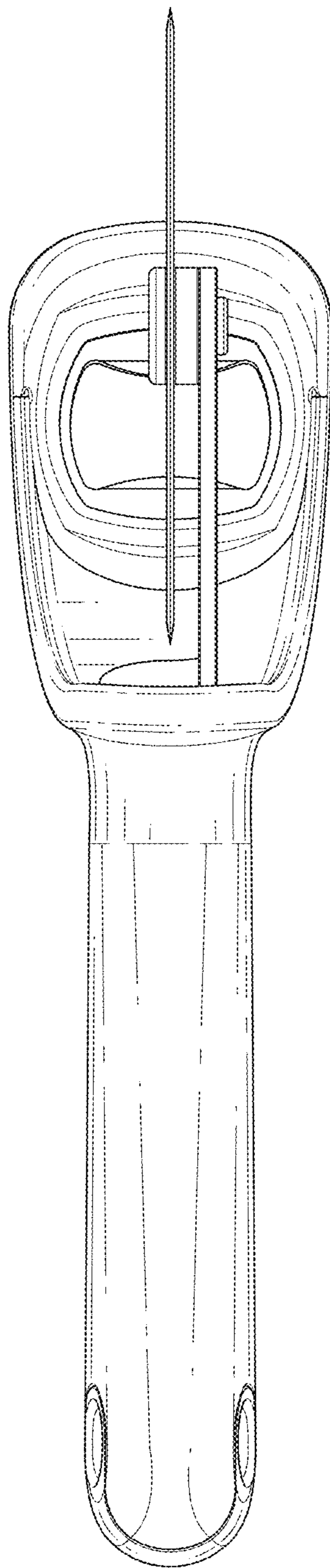


FIG. 8



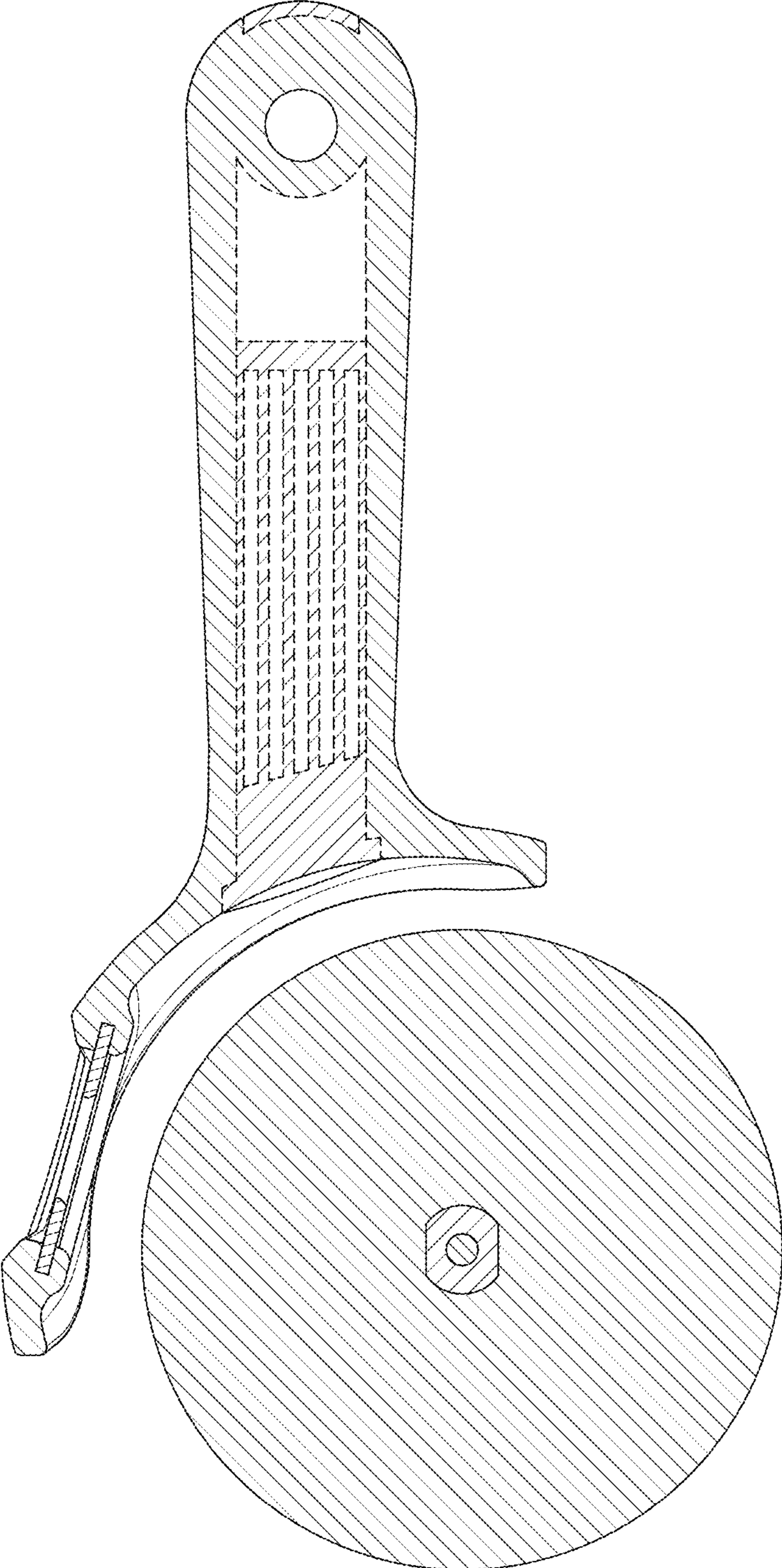


FIG. 9