



US00D801131S

(12) **United States Design Patent**
Borovicka et al.

(10) **Patent No.:** **US D801,131 S**
(45) **Date of Patent:** **** Oct. 31, 2017**

(54) **MEAT CLAW**

- (71) Applicant: **Charcoal Companion Incorporated**,
Berkeley, CA (US)
- (72) Inventors: **Cory Thomas Borovicka**, Oakland, CA
(US); **Bennett Gershkow**, San
Francisco, CA (US)
- (73) Assignee: **Charcoal Companion Incorporated**,
Berkeley, CA (US)
- (**) Term: **15 Years**
- (21) Appl. No.: **29/571,559**
- (22) Filed: **Jul. 19, 2016**
- (51) **LOC (10) Cl.** **07-06**
- (52) **U.S. Cl.**
USPC **D7/683**
- (58) **Field of Classification Search**
USPC D7/300.2, 368, 376, 642, 653, 669,
D7/680-683, 685, 686, 688, 690, 696;
D8/6; D32/40, 46, 51, 52
CPC A23L 1/216; A47J 43/28; A22C 9/008;
A22C 9/00; A22C 9/001; A22C 9/007
See application file for complete search history.

(56) **References Cited**

U.S. PATENT DOCUMENTS

D25,841 S *	7/1896	Bonte	452/146
4,096,629 A	6/1978	Levine		
D333,413 S *	2/1993	Kistner	D7/683
D663,171 S	7/2012	Borovicka et al.		
D685,617 S *	7/2013	Zemel	D7/683
D712,708 S *	9/2014	High	D7/683
D772,090 S *	11/2016	Kruska	D10/119.1
D788,548 S *	6/2017	Cianflone	D7/682
2009/0322108 A1 *	12/2009	Bina	A47G 21/10 294/99.2

OTHER PUBLICATIONS

Think Geek. *Slash & Serve Shredded Meat Claws—Exclusive*. Dec. 16, 2016 [earliest online date], [site visited Jun. 14, 2017]. Available from Internet, <URL:http://www.thinkgeek.com/product/jnqi/>.*
 Webpage: “Cuisinart CMC-262 Meat Pulling/Shredding Claws, Black.” Amazon.com: Patio, Lawn & Garden. www.amazon.com/Cuisinart-CMC-262-Pulling-Shredding-Claws/dp/B00O0GX6BU; Date Retrieved: Oct. 19, 2016.
 Webpage: “Pulled Pork Meat Claws by Kassa” Amazon.com: Kitchen & Dining. www.amazon.com/Pulled-Pork-Meat-Claws-Kassa/dp/B00G4SCGNQ; Date Retrieved: Oct. 19, 2016.

* cited by examiner

Primary Examiner — Robert M Spear
Assistant Examiner — Darcey E Heflin
 (74) *Attorney, Agent, or Firm* — Beeson Skinner Beverly, LLP

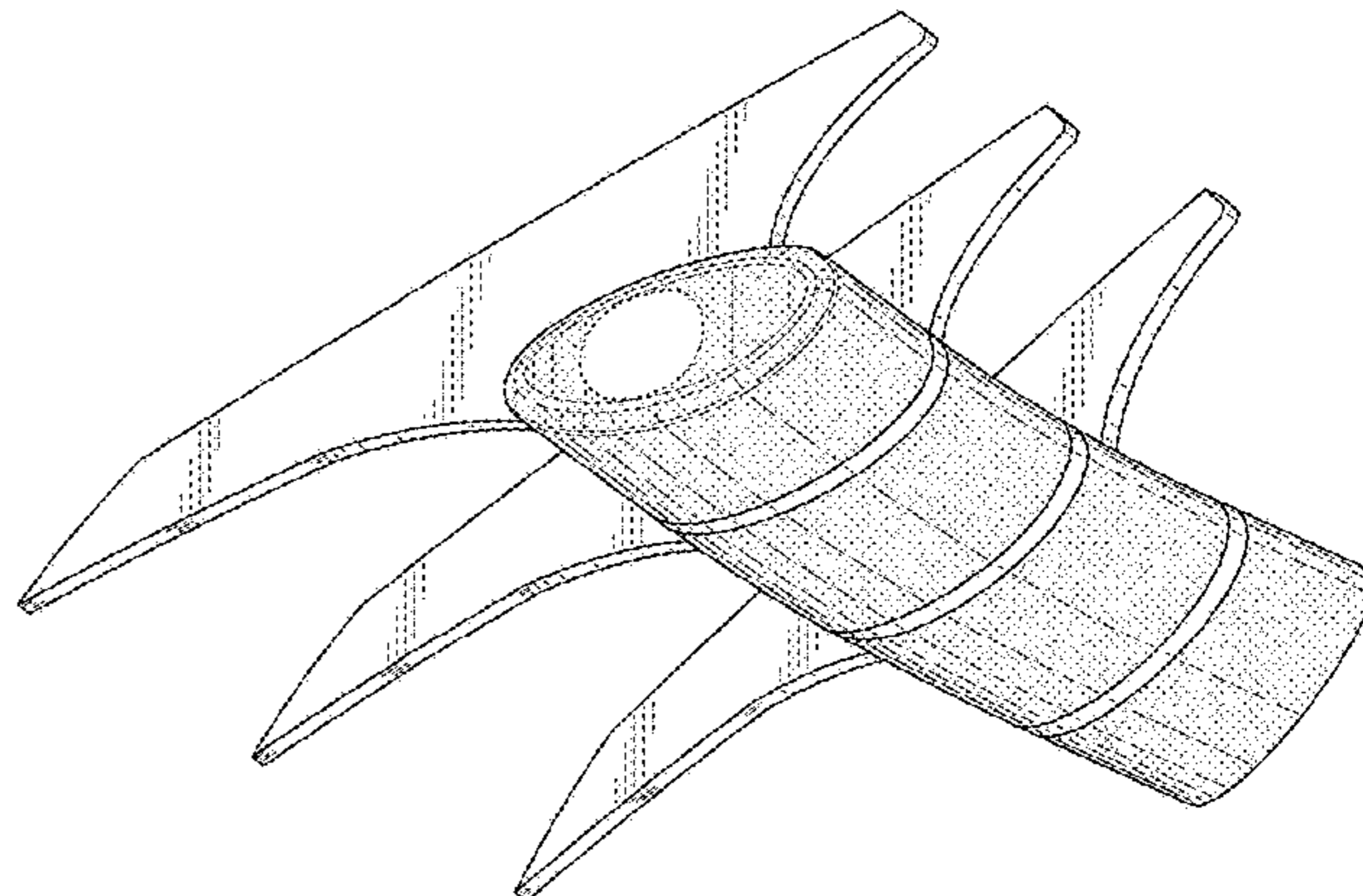
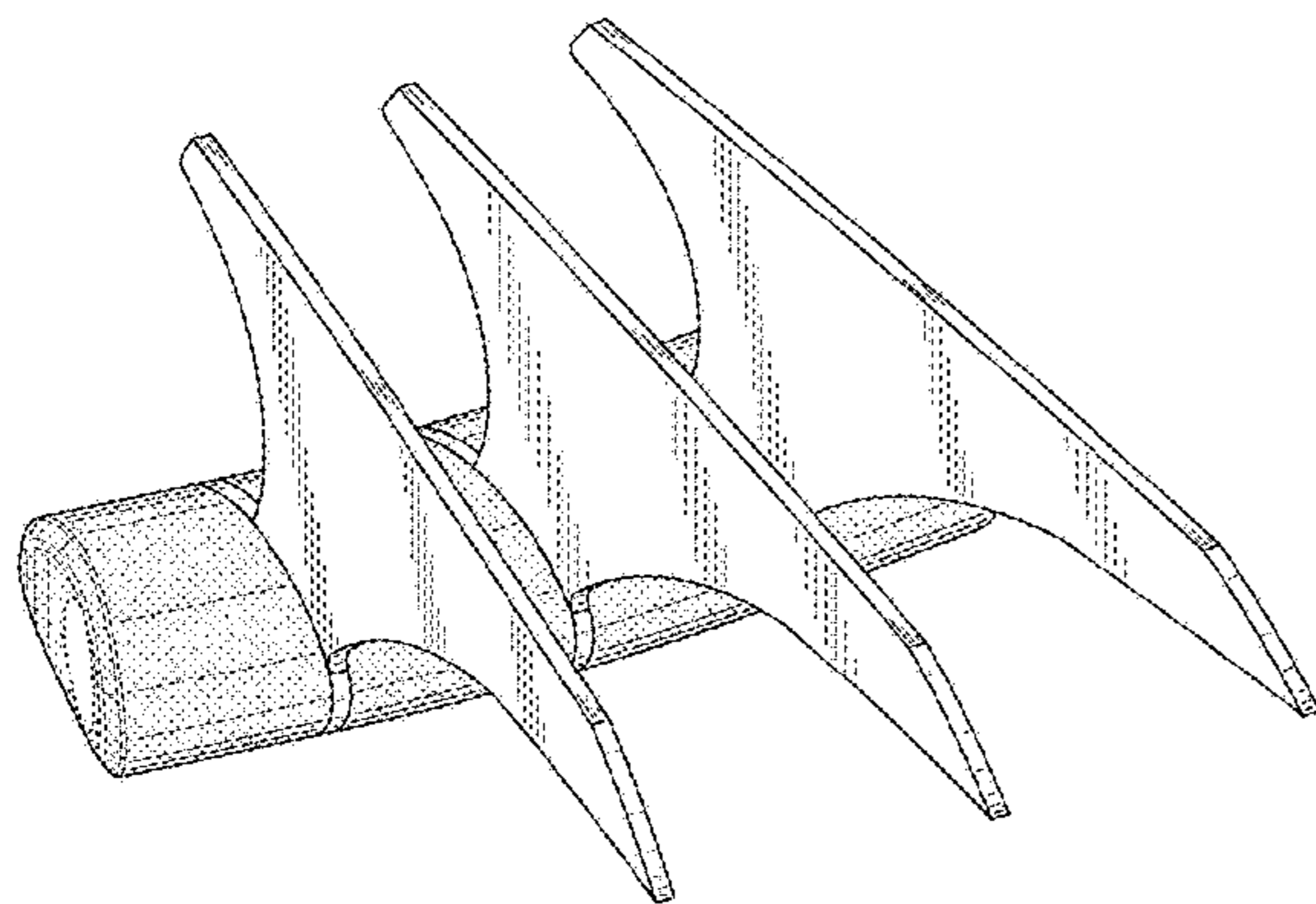
(57) **CLAIM**

The ornamental design for a meat claw, as shown and described.

DESCRIPTION

FIG. 1 is a top front perspective view of the meat claw showing our new design;
 FIG. 2 is a bottom rear perspective view thereof;
 FIG. 3 is a front elevation view thereof;
 FIG. 4 is a left side elevation view thereof, the right side being a mirror image;
 FIG. 5 is a rear elevation view thereof;
 FIG. 6 is a top plan view thereof; and,
 FIG. 7 is a bottom plan view thereof.
 The broken lines in FIGS. 1-5 show handle end caps that form no part of the claimed design.

1 Claim, 7 Drawing Sheets



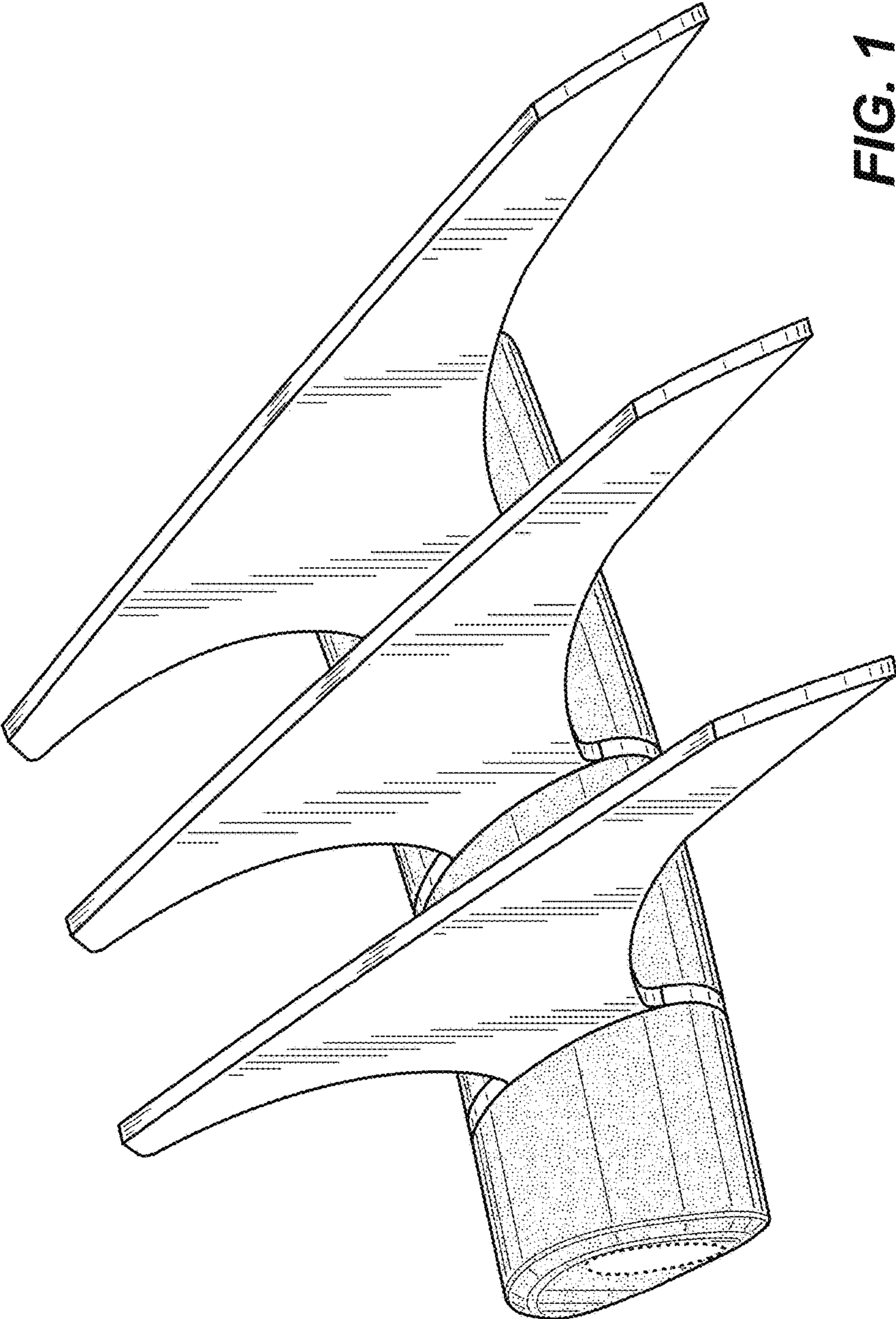


FIG. 1

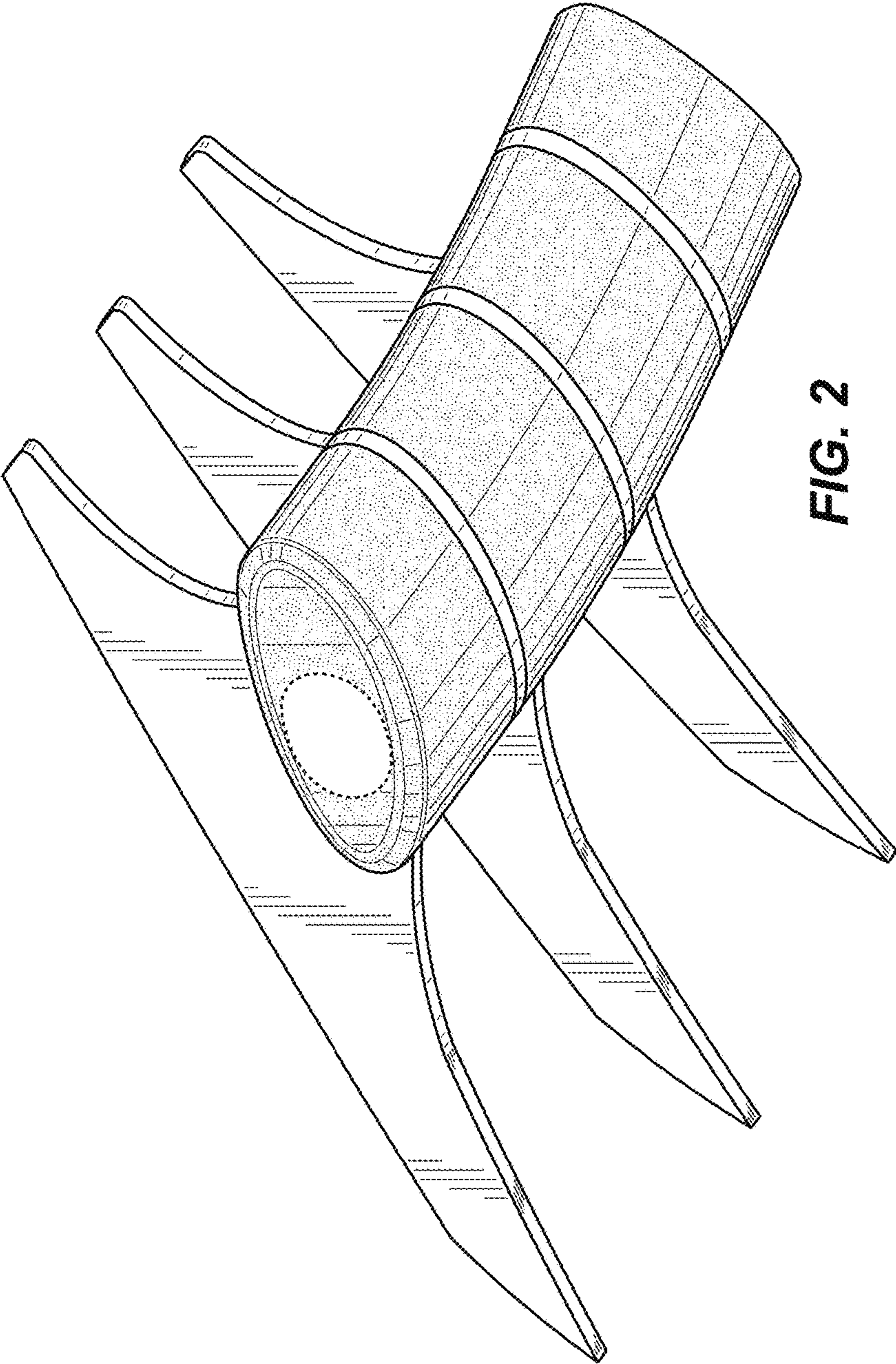


FIG. 2

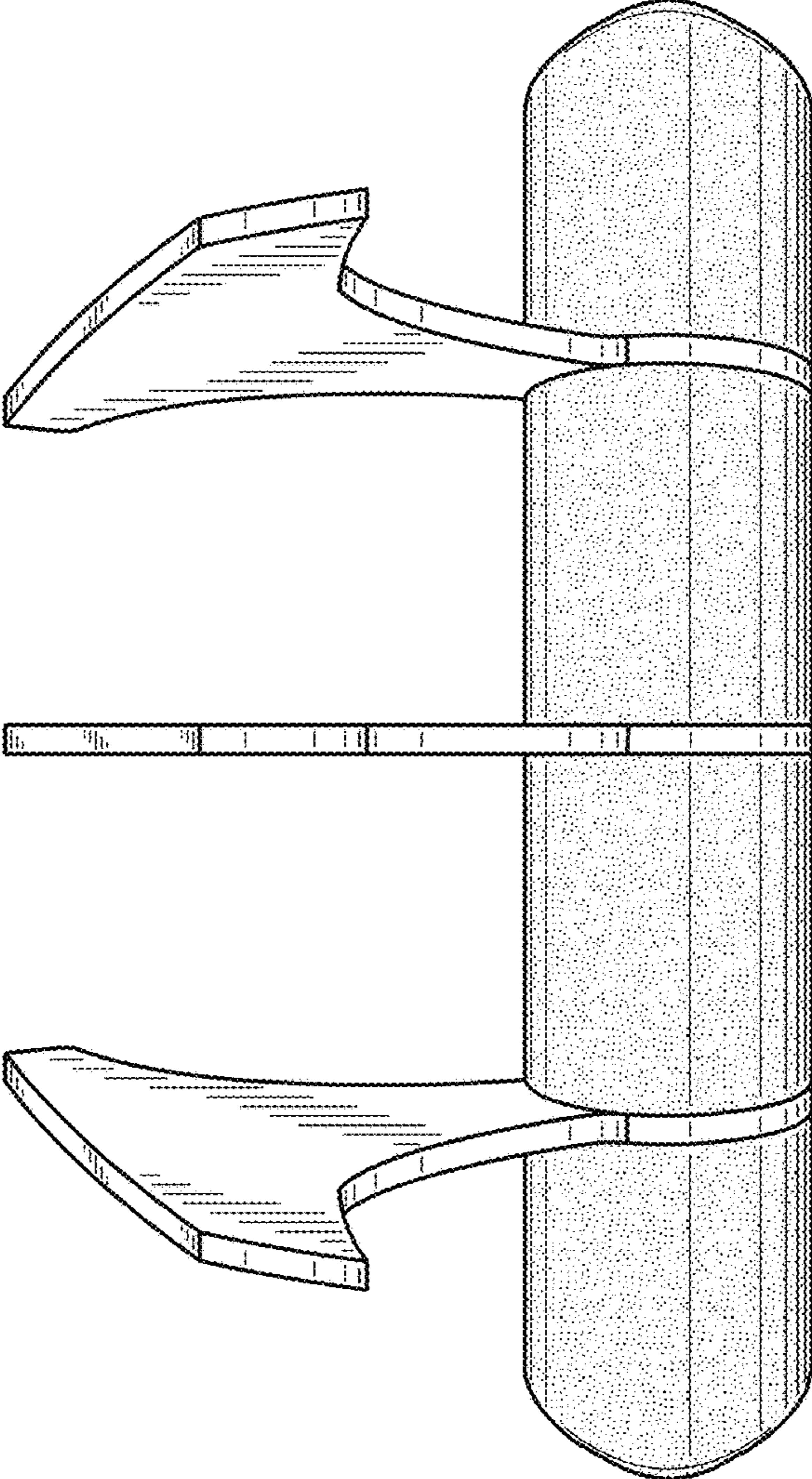


FIG. 3

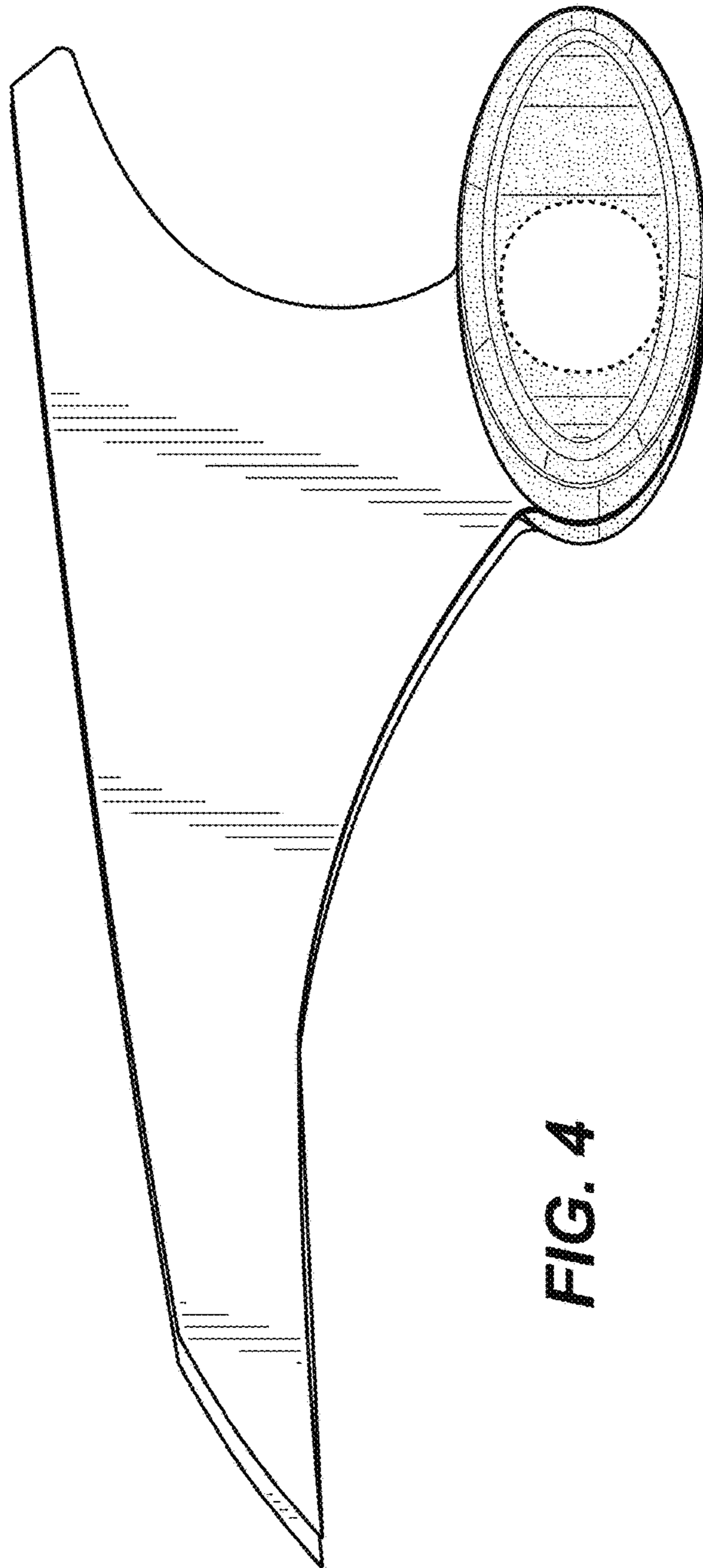


FIG. 4

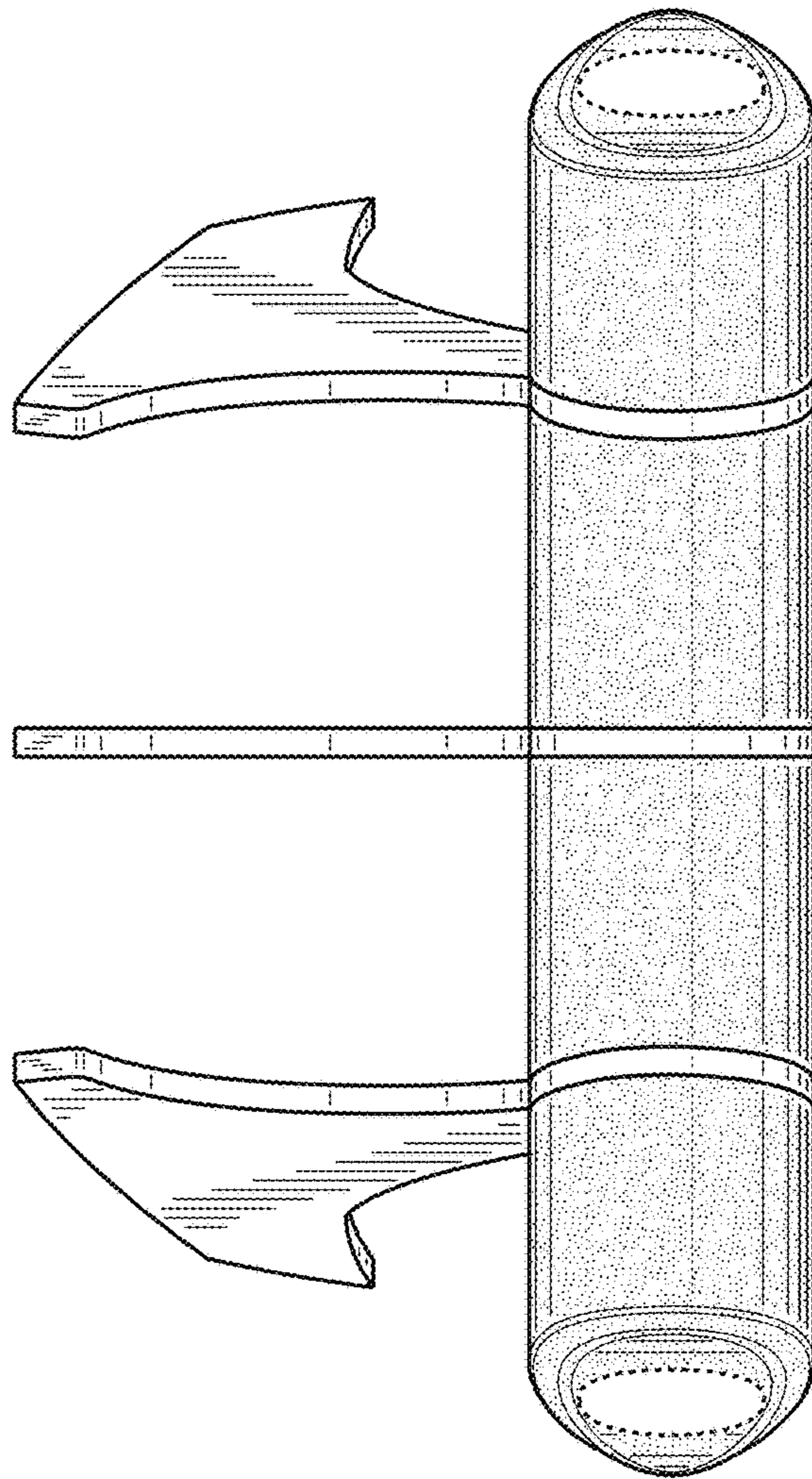


FIG. 5

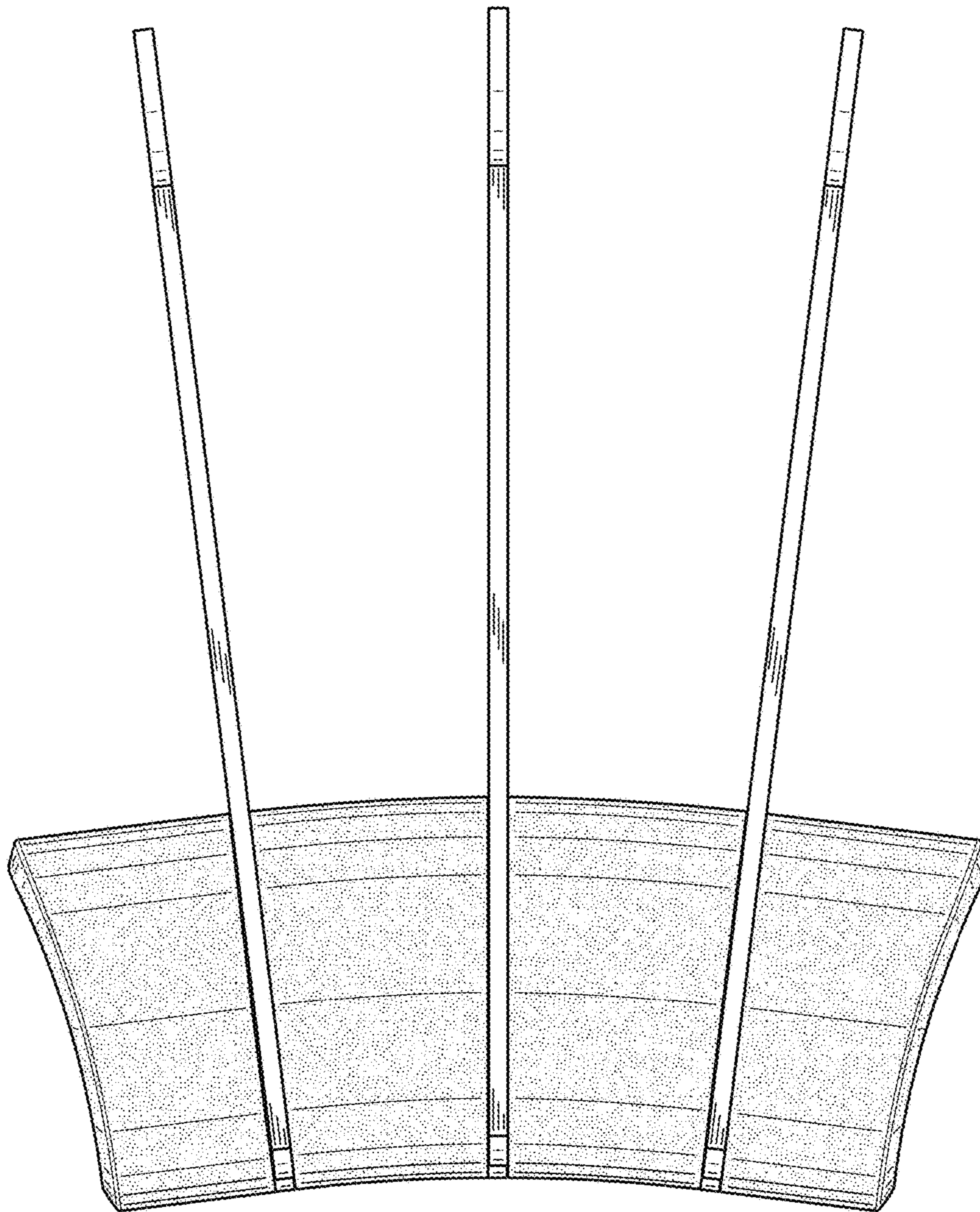


FIG. 6

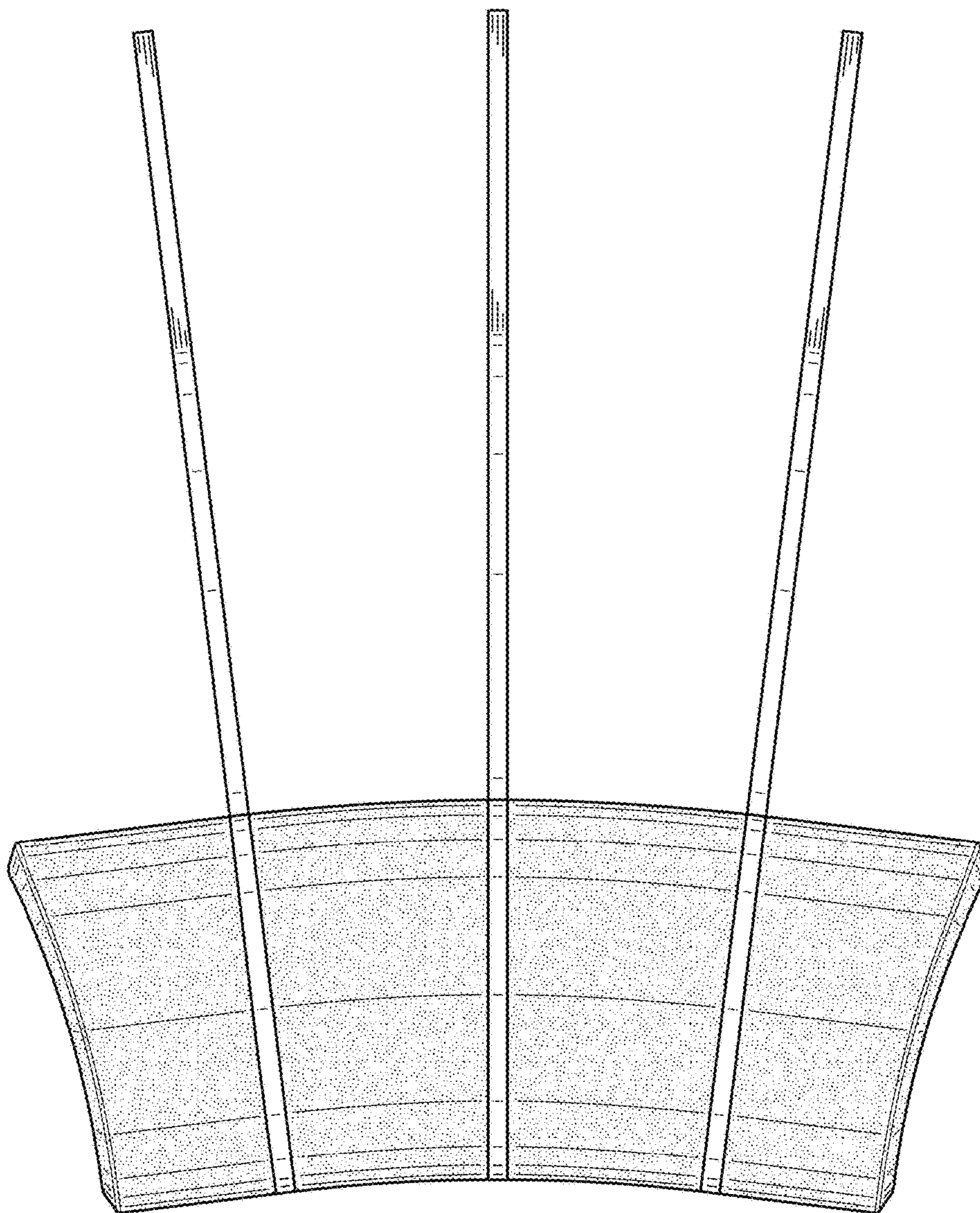


FIG. 7