



US00D801126S

(12) **United States Design Patent** (10) **Patent No.:** **US D801,126 S**
Lessells (45) **Date of Patent:** **** Oct. 31, 2017**

(54) **COMBINED BEVERAGE MUG AND CAN HOLDER**
(71) Applicant: **Doug Lessells**, Hilliard, OH (US)
(72) Inventor: **Doug Lessells**, Hilliard, OH (US)
(**) Term: **15 Years**
(21) Appl. No.: **29/566,523**
(22) Filed: **May 31, 2016**
(51) **LOC (10) Cl.** **07-06**
(52) **U.S. Cl.**
USPC **D7/625; D7/606**
(58) **Field of Classification Search**
USPC D7/619.1-625, 701-708, 514, 515, 536
CPC A47G 23/0216; A47G 23/0225; A47G
19/2288; F25D 3/08; A45C 11/20; F17C
13/001; B65D 81/3886
See application file for complete search history.

D673,428 S * 1/2013 Lessells D7/606
D716,104 S * 10/2014 Lessells D7/606
2004/0232156 A1* 11/2004 Hogan A47G 23/0216
220/737

* cited by examiner

Primary Examiner — Terry Wallace
(74) *Attorney, Agent, or Firm* — Standley Law Group
LLP

(57) **CLAIM**

The ornamental design for a combined beverage mug and can holder, as shown and described.

DESCRIPTION

FIG. 1 is an assembled rear perspective view of the combined beverage mug and can holder;
FIG. 2 is a right side elevation view thereof;
FIG. 3 is a left side elevation view thereof;
FIG. 4 is a front elevation view thereof;
FIG. 5 is a rear elevation view thereof;
FIG. 6 is a top plan view thereof;
FIG. 7 is a bottom plan elevation view thereof; and,
FIG. 8 is an exploded rear perspective view, corresponding to FIG. 1, with the removable cup portion shown removed from the holder.

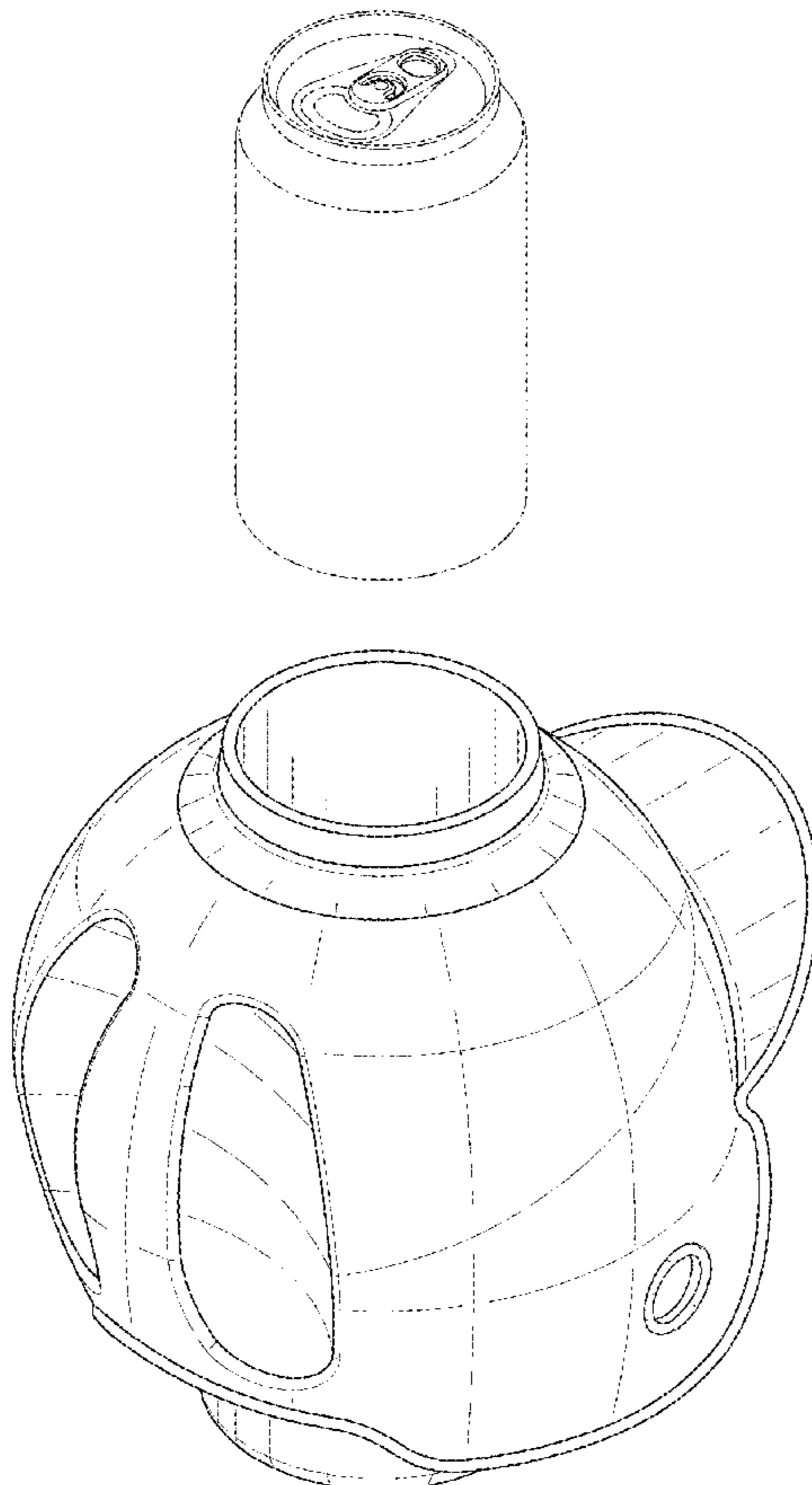
The broken lining of the beverage can is included for the purpose of illustrating the environment and forms no part of the claimed design.

1 Claim, 5 Drawing Sheets

(56) **References Cited**

U.S. PATENT DOCUMENTS

D365,727 S * 1/1996 Adams D7/536
D370,836 S * 6/1996 Van Blankenburg D29/106
D428,309 S * 7/2000 Schlotthauer D7/625
D599,625 S * 9/2009 Lessells D7/606
D620,764 S * 8/2010 Lessells D7/605



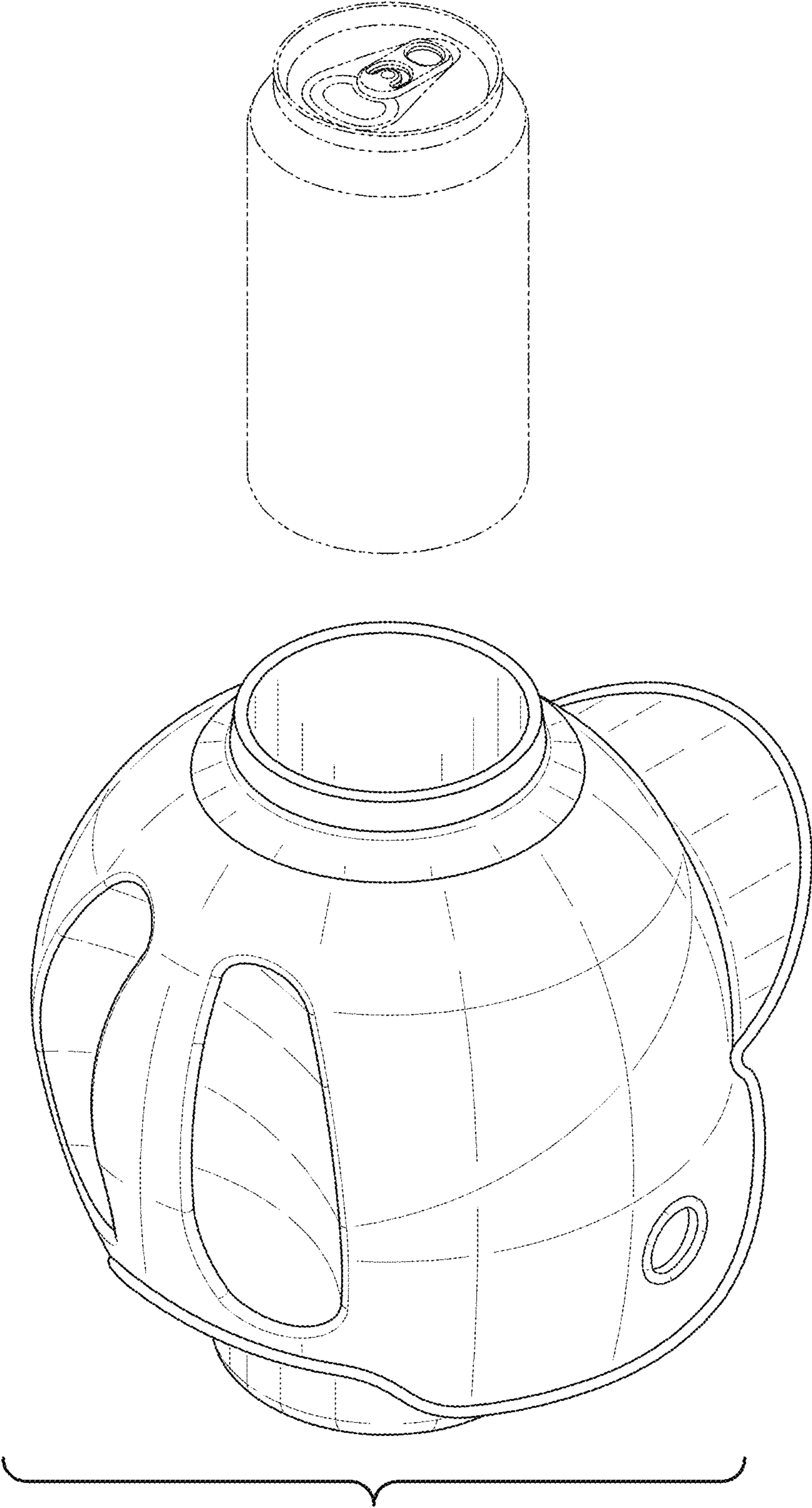


FIG. 1

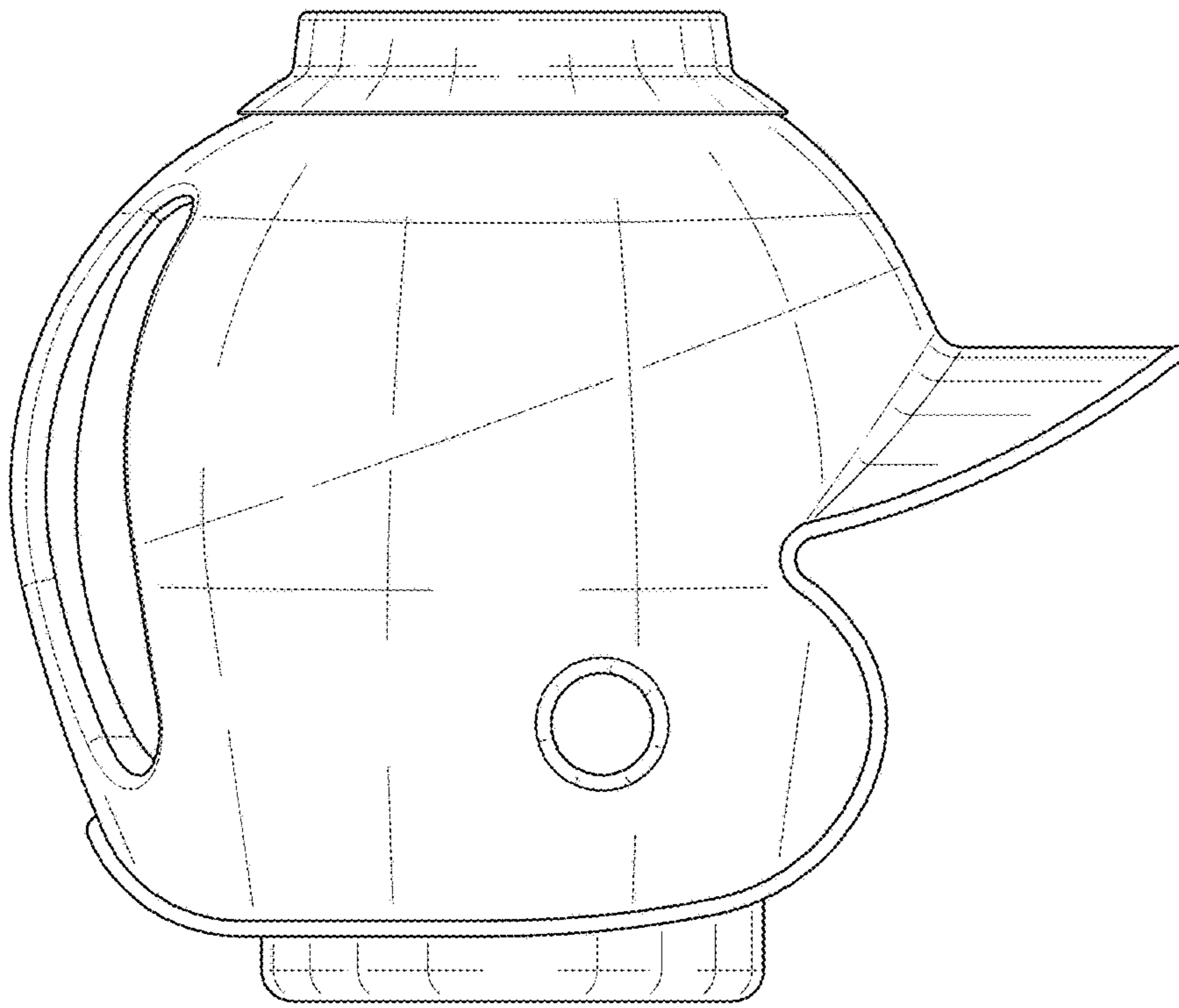


FIG. 2

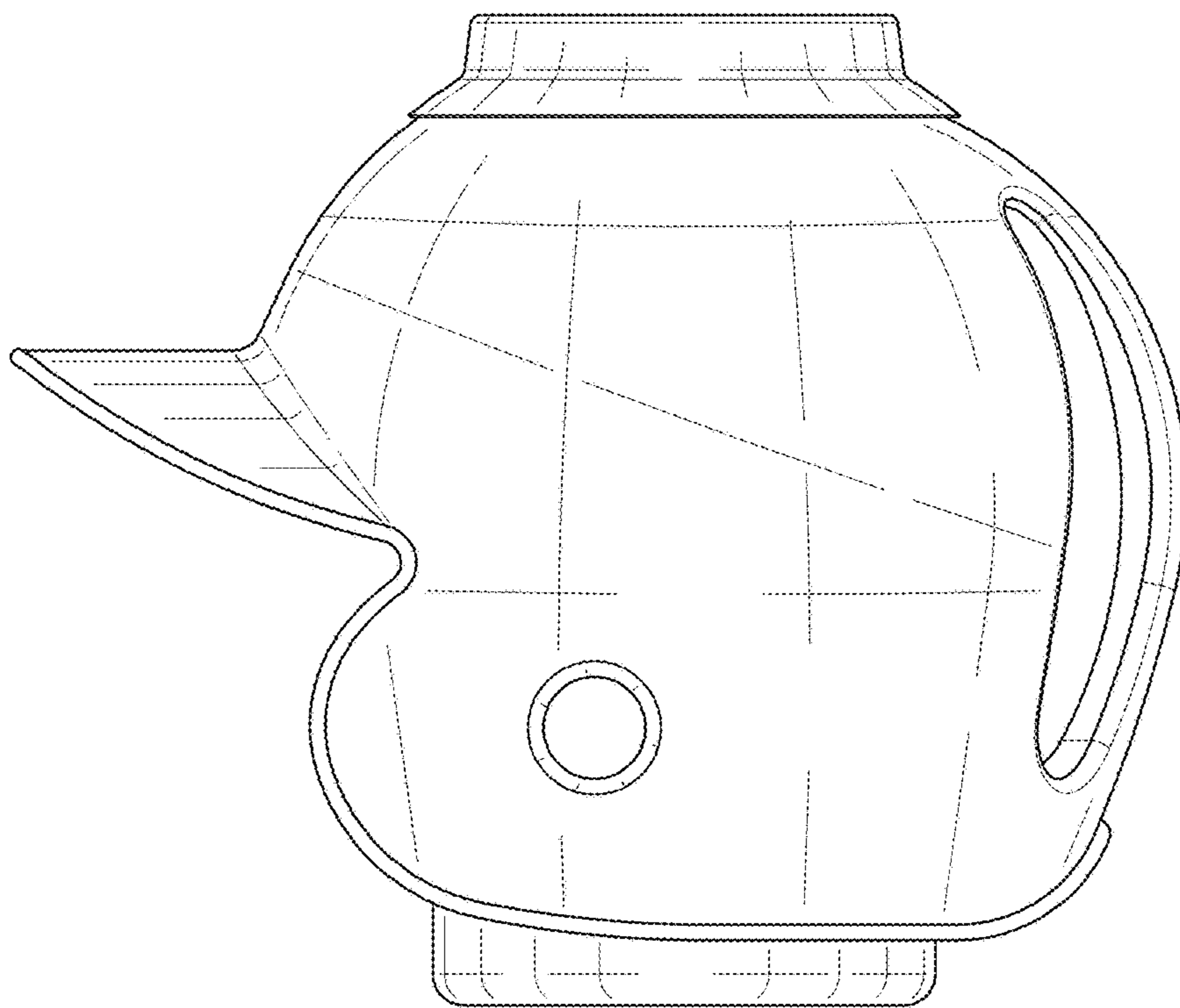


FIG. 3

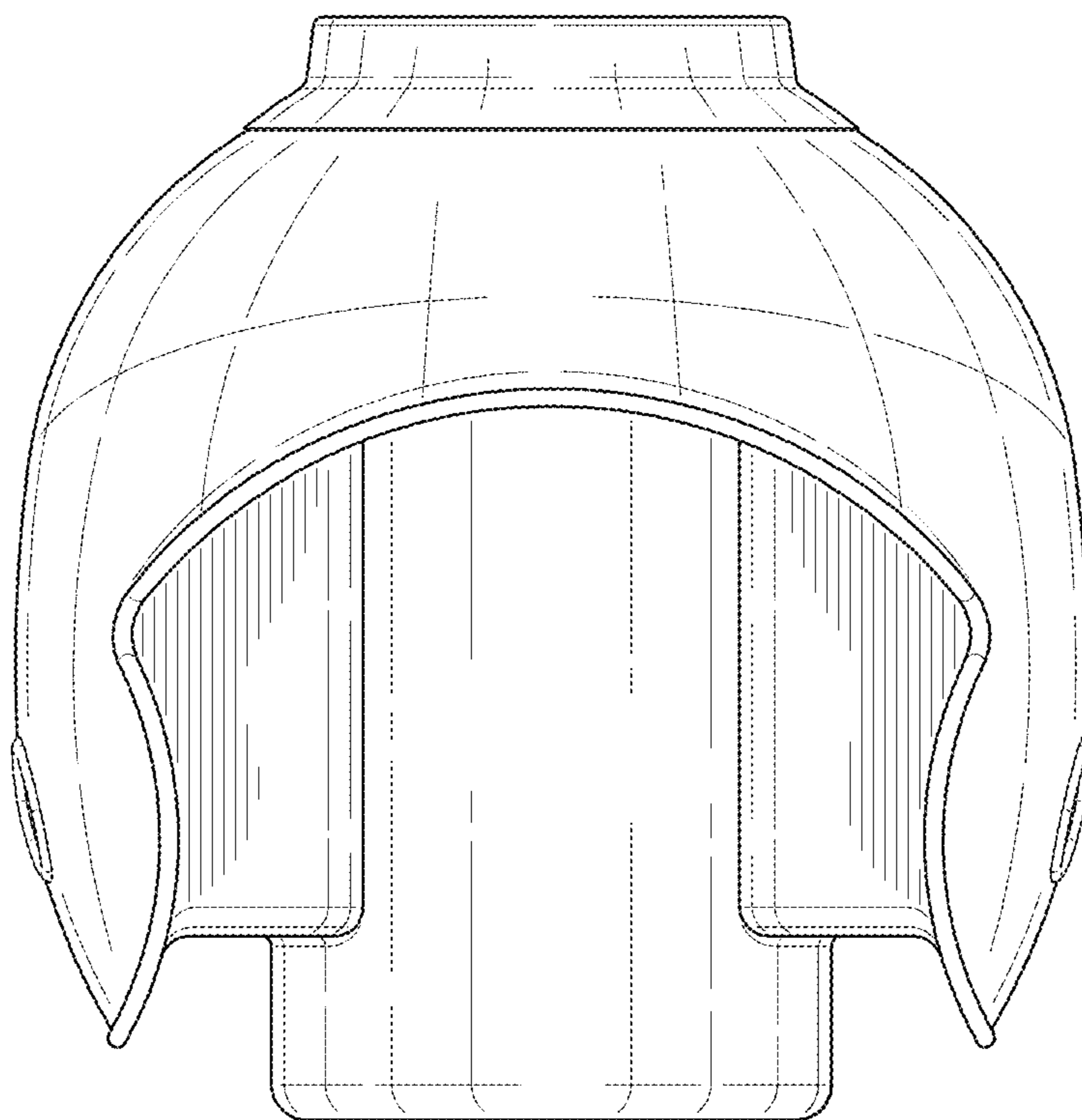


FIG. 4

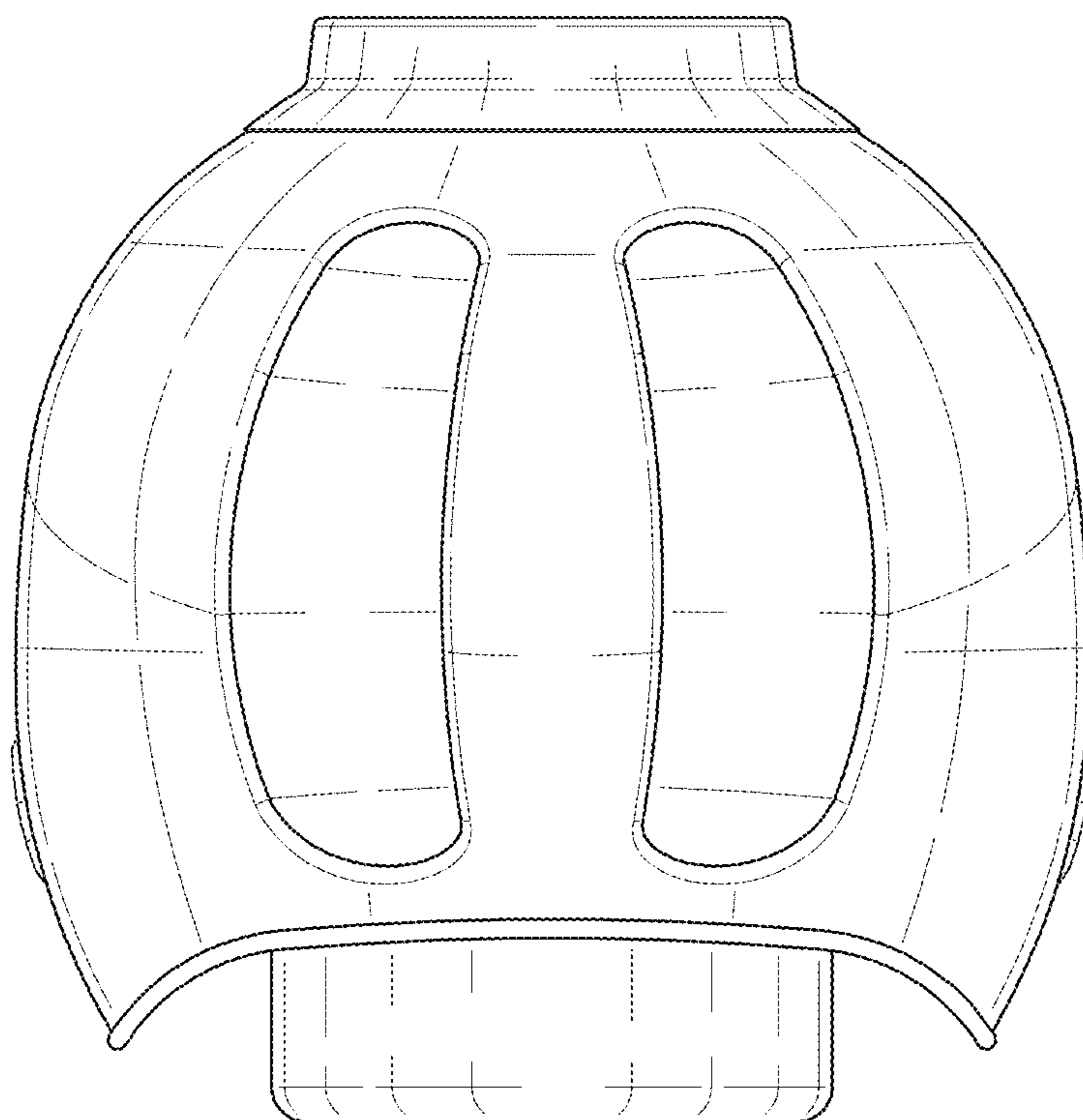


FIG. 5

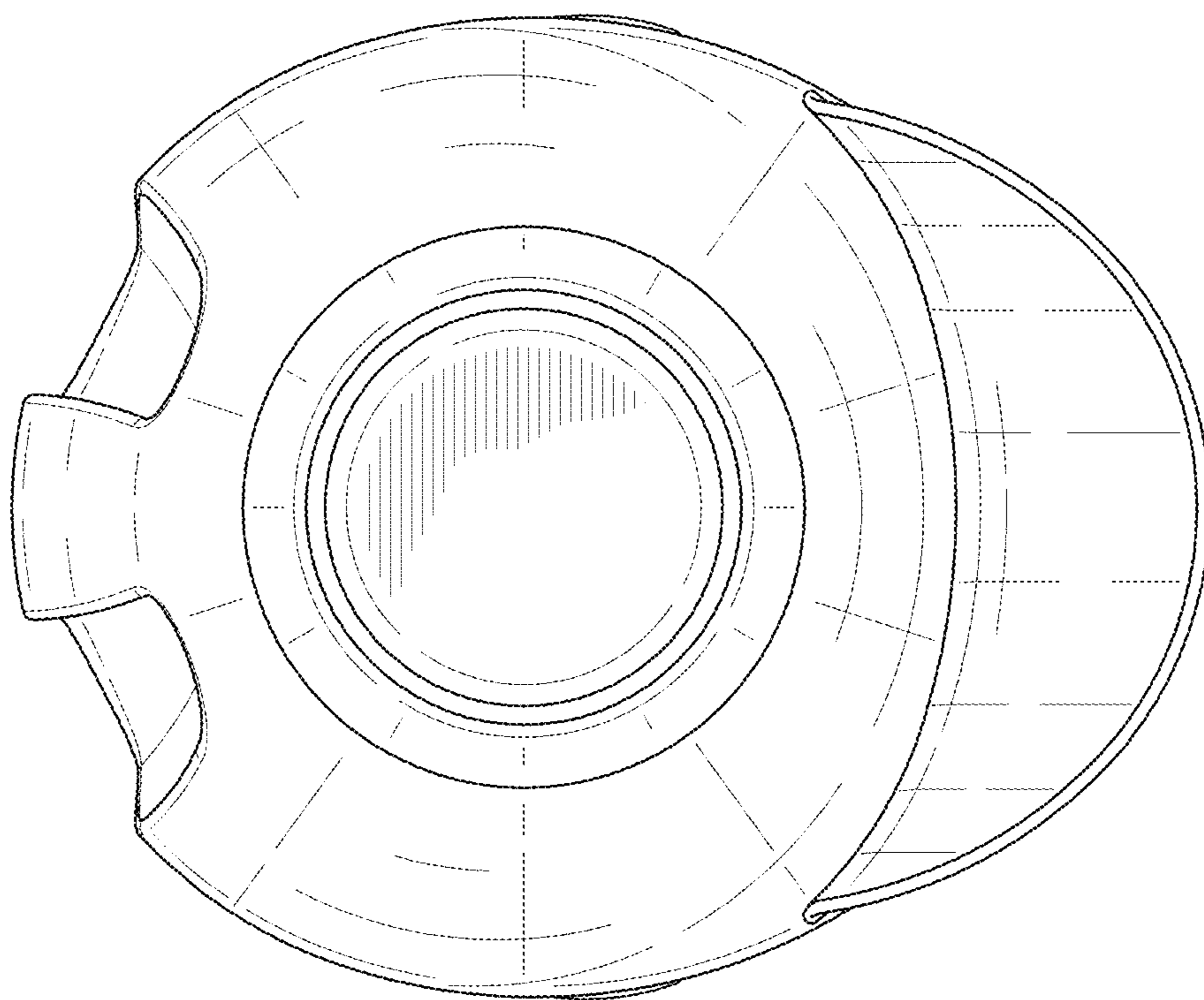


FIG. 6

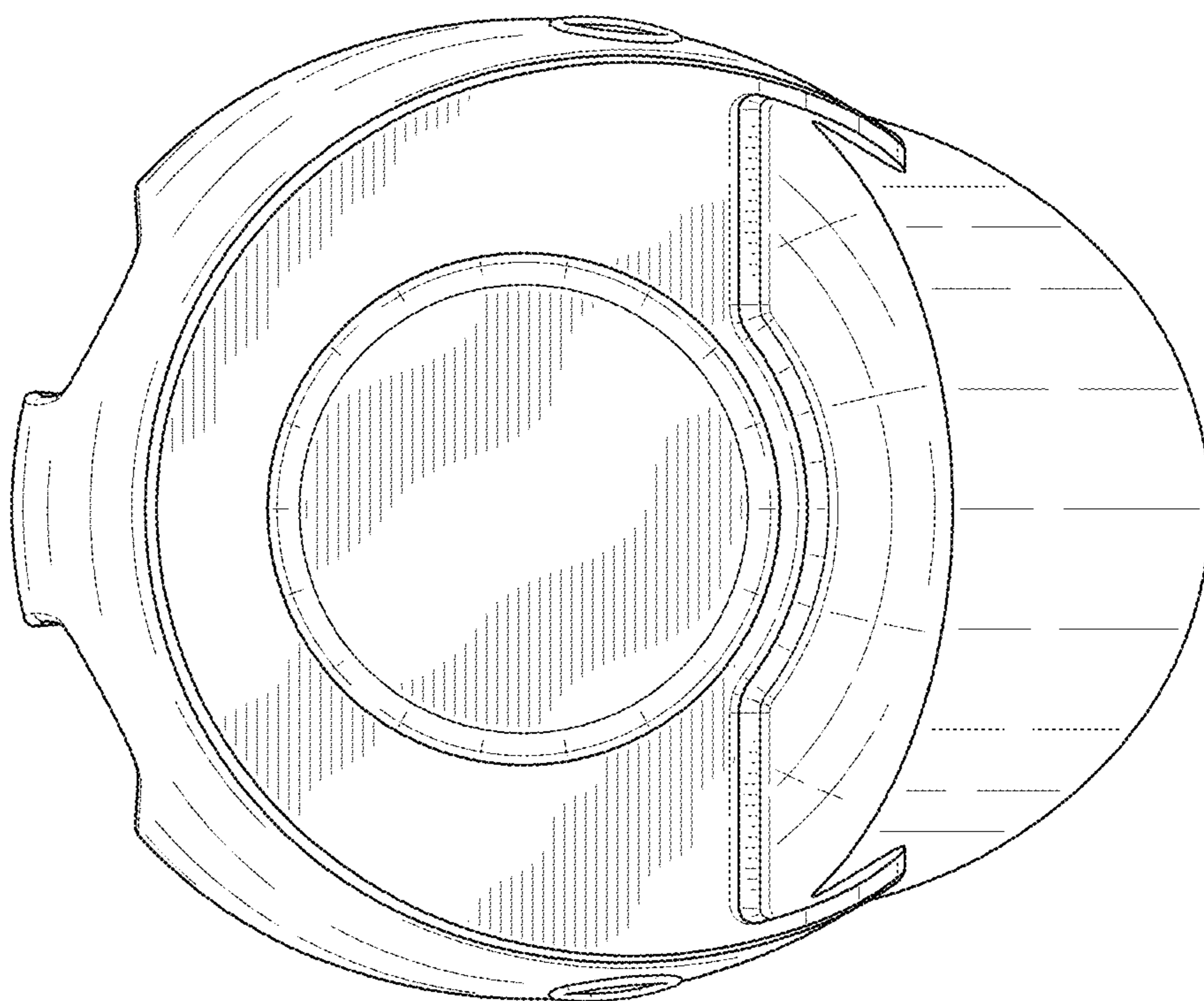


FIG. 7

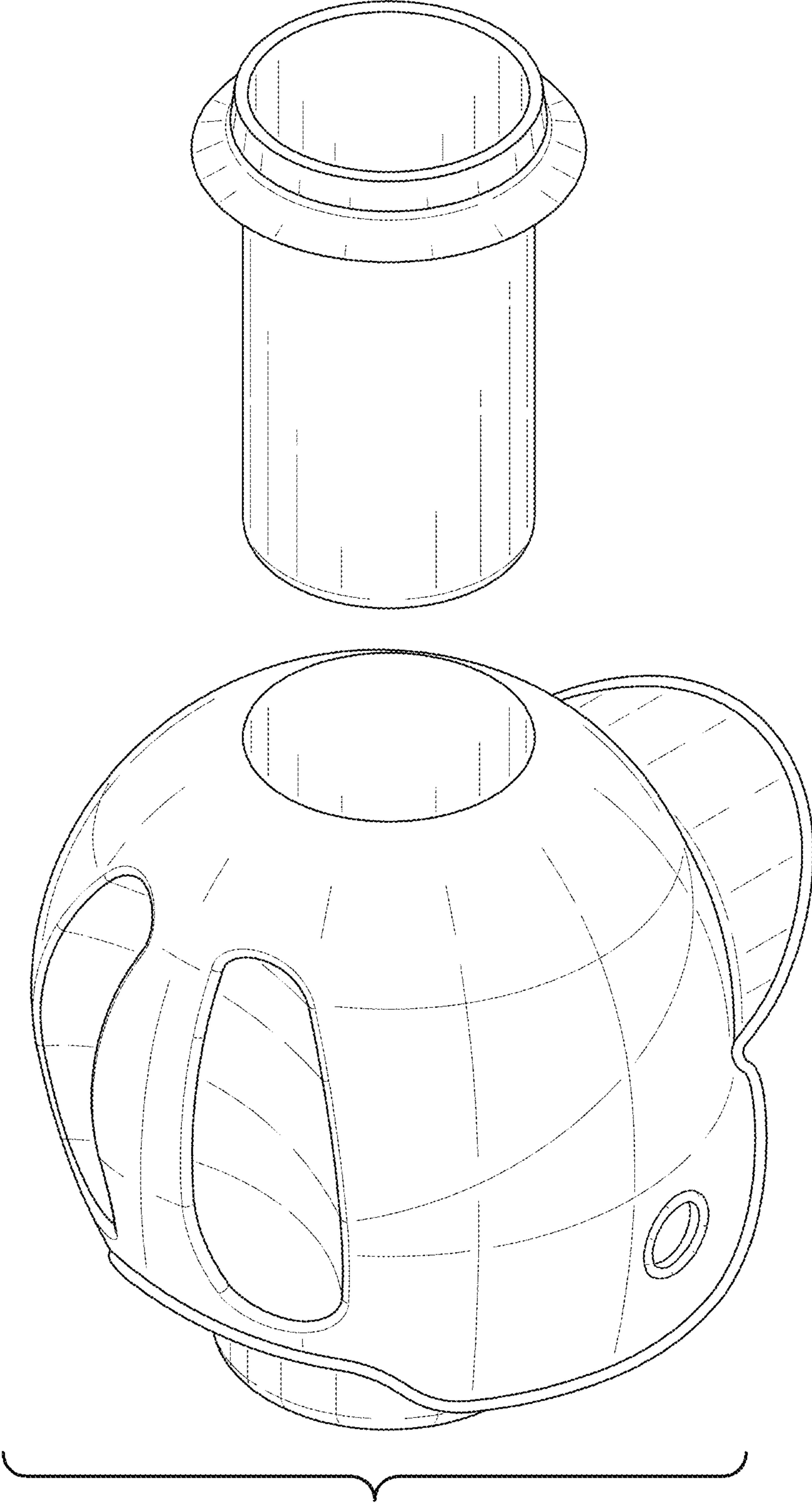


FIG. 8