



US00D801125S

(12) **United States Design Patent**
Lessells

(10) **Patent No.:** **US D801,125 S**
(45) **Date of Patent:** **** Oct. 31, 2017**

(54) **COMBINED BEVERAGE MUG AND CAN HOLDER**

D673,428 S * 1/2013 Lessells D7/606
D716,104 S * 10/2014 Lessells D7/606
2004/0232156 A1* 11/2004 Hogan A47G 23/0216
220/737

(71) Applicant: **Doug Lessells**, Hilliard, OH (US)

* cited by examiner

(72) Inventor: **Doug Lessells**, Hilliard, OH (US)

Primary Examiner — Terry Wallace

(**) Term: **15 Years**

(74) *Attorney, Agent, or Firm* — Standley Law Group
LLP

(21) Appl. No.: **29/559,865**

(57) **CLAIM**

(22) Filed: **Mar. 31, 2016**

The ornamental design for a combined beverage mug and can holder, as shown and described.

(51) **LOC (10) Cl.** **07-06**

DESCRIPTION

(52) **U.S. Cl.**

USPC **D7/625**; D7/606

(58) **Field of Classification Search**

USPC D7/619.1–625, 701–708, 514, 515, 536

CPC A47G 23/0216; A47G 23/0225; A47G

19/2288; F25D 3/08; A45C 11/20; F17C

13/001; B65D 81/3886

See application file for complete search history.

FIG. 1 is an assembled rear perspective view of the combined beverage mug and can holder; FIG. 2 is a right side elevation view thereof; FIG. 3 is a left side elevation view thereof; FIG. 4 is a front elevation view thereof; FIG. 5 is a rear elevation view thereof; FIG. 6 is a bottom plan view thereof; FIG. 7 is a top plan view thereof; and, FIG. 8 is an exploded rear perspective view, corresponding to FIG. 1, with the removable cup portion removed from the holder.

The broken lining of a beverage can is included for the purpose of illustrating the environment of the combined beverage mug and can holder and forms no part of the claimed design.

(56) **References Cited**

U.S. PATENT DOCUMENTS

D314,492 S * 2/1991 Weller D7/604

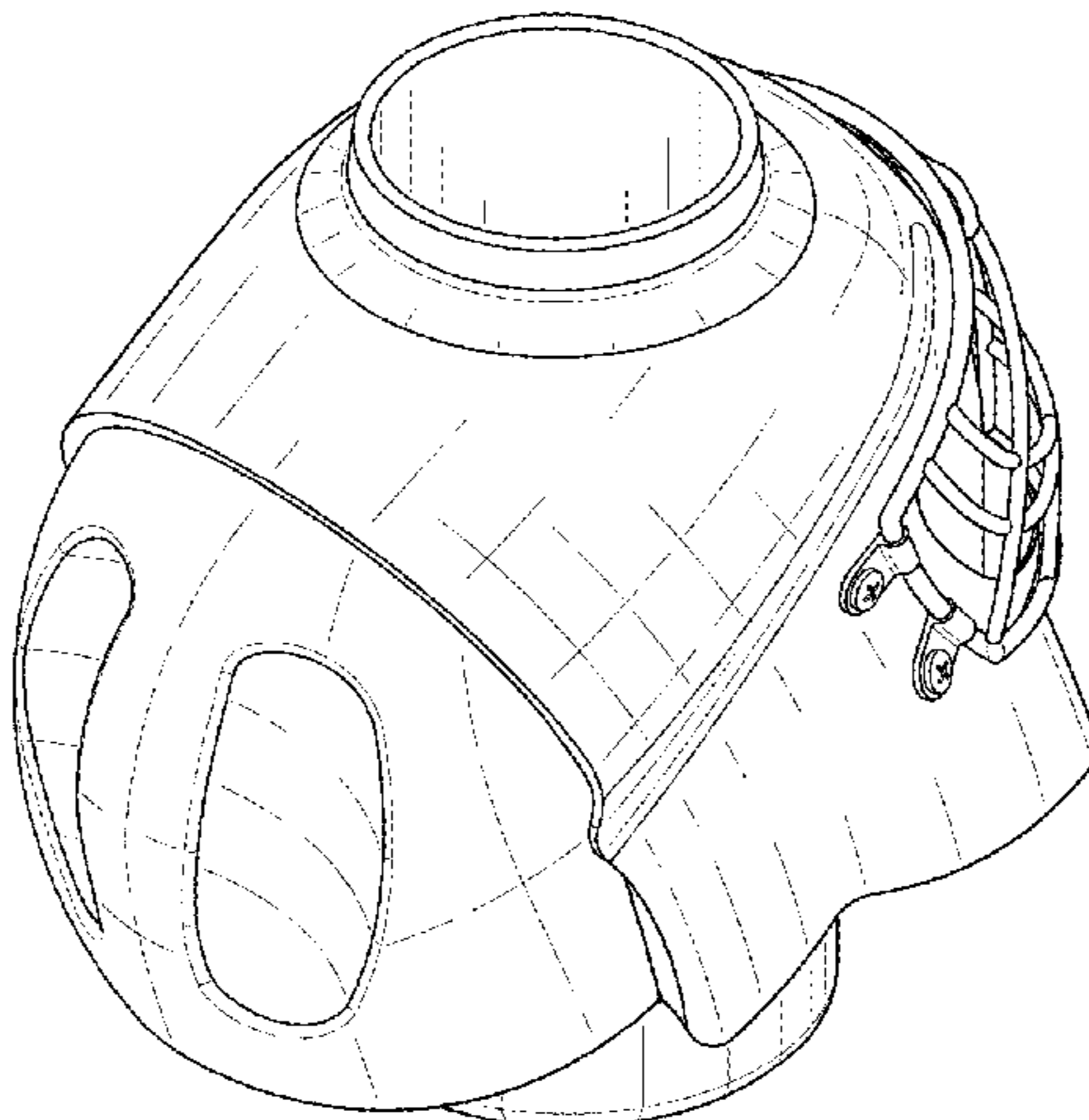
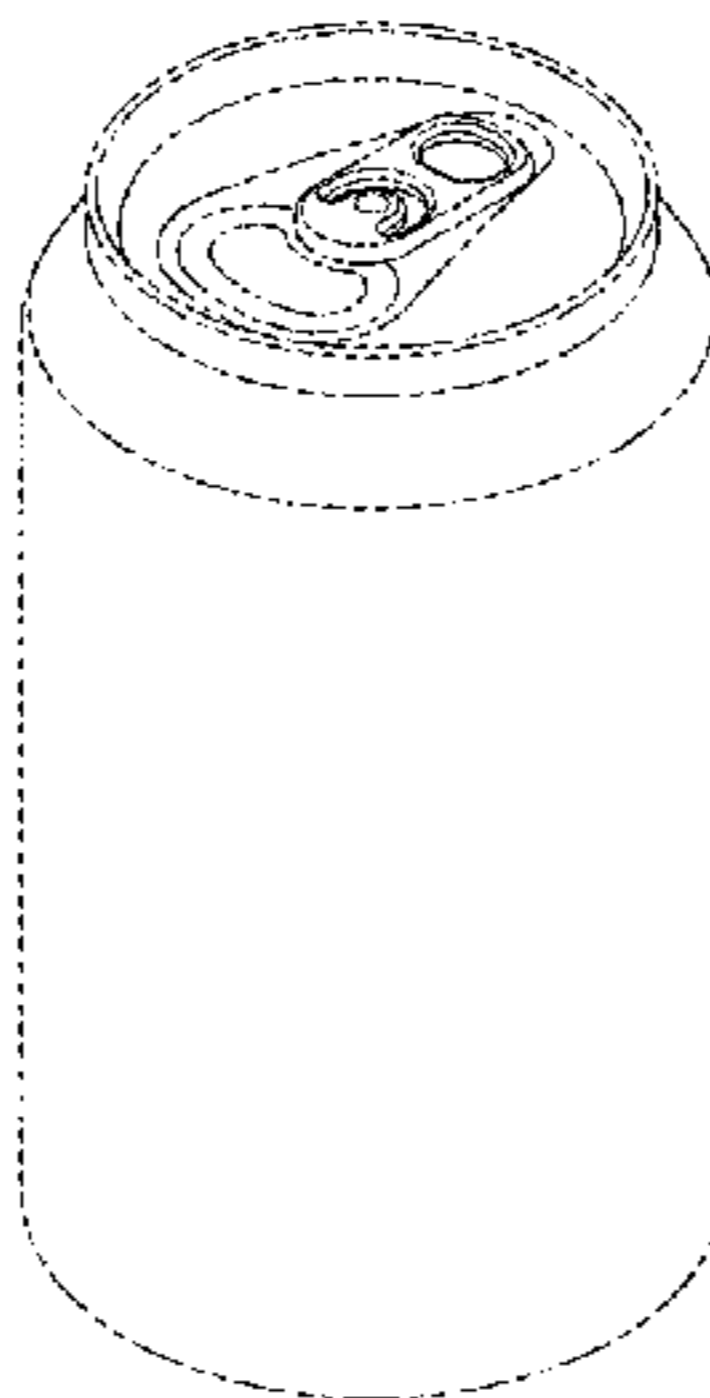
D337,242 S * 7/1993 Steinfeld, III D7/514

D365,727 S * 1/1996 Adams D7/536

D599,625 S * 9/2009 Lessells D7/606

D620,764 S * 8/2010 Lessells D7/605

1 Claim, 5 Drawing Sheets



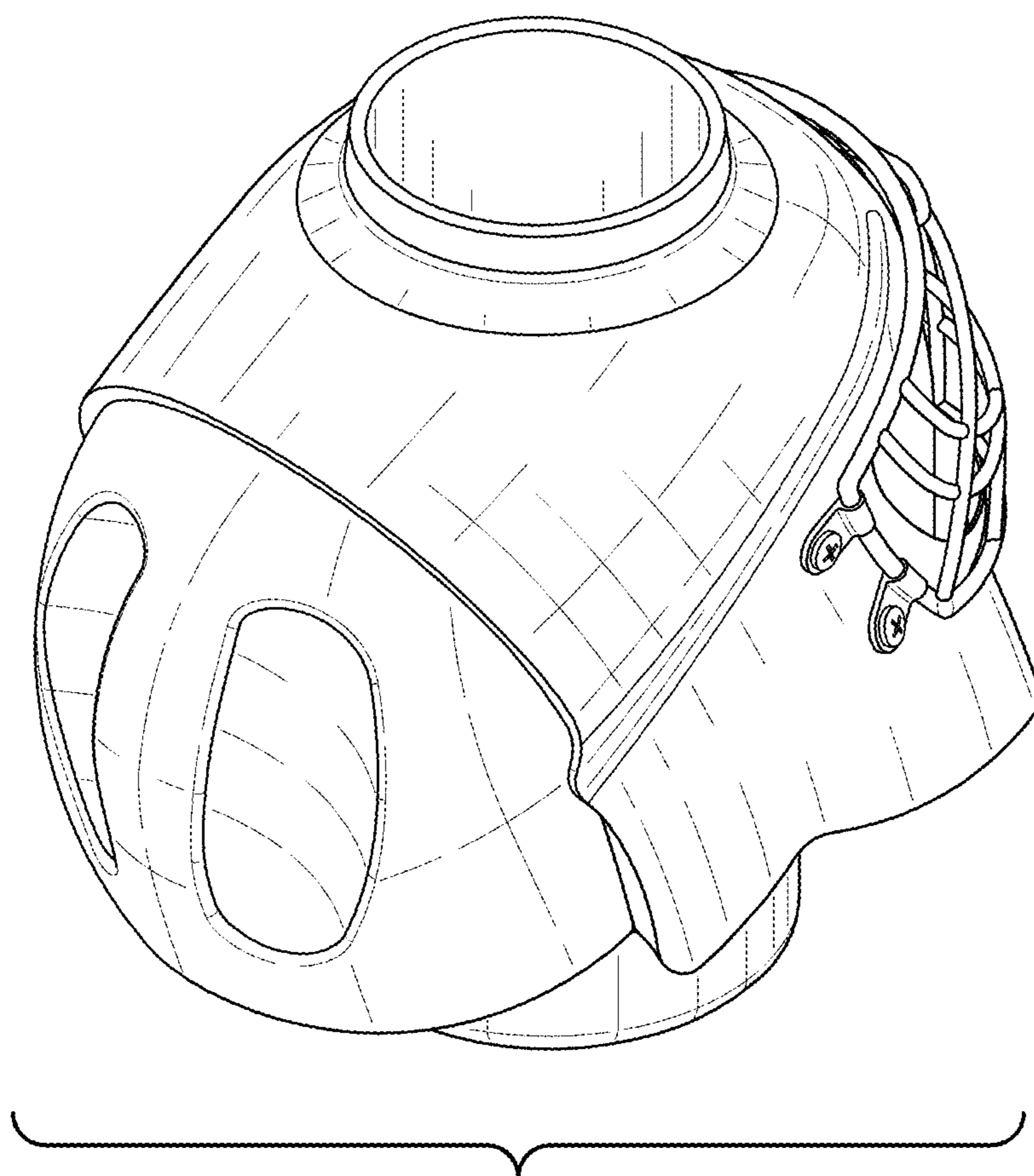
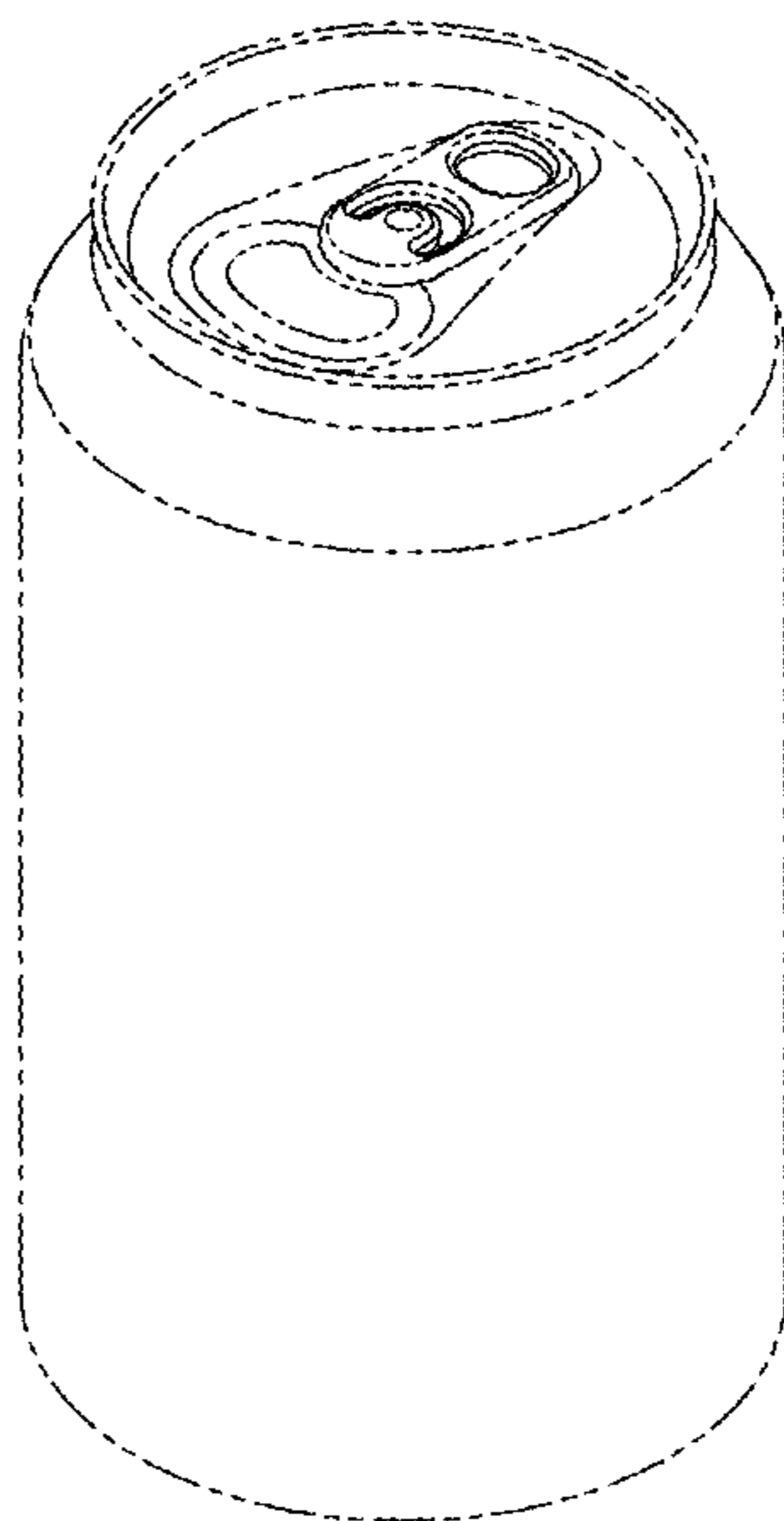


FIG. 1

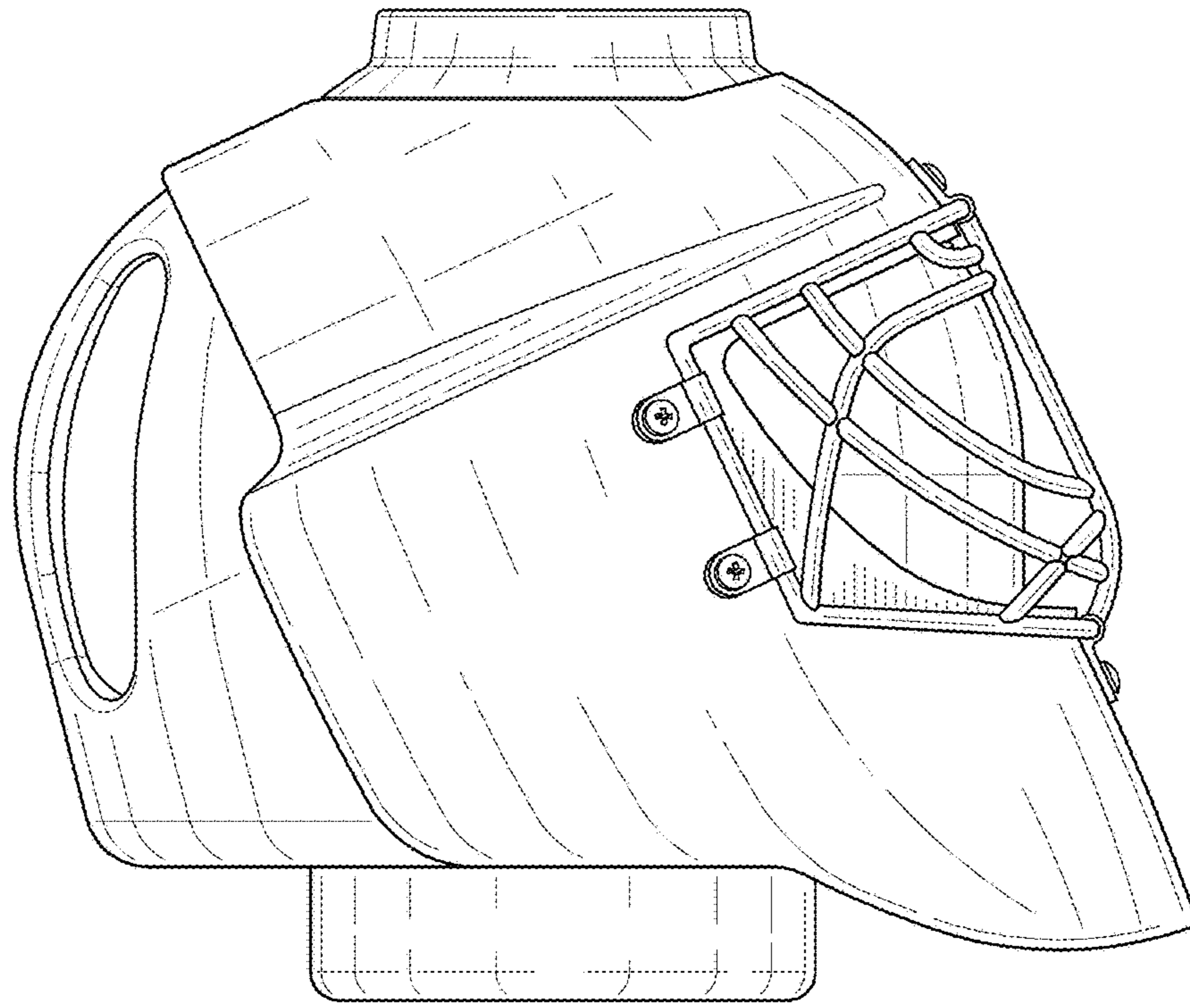


FIG. 2

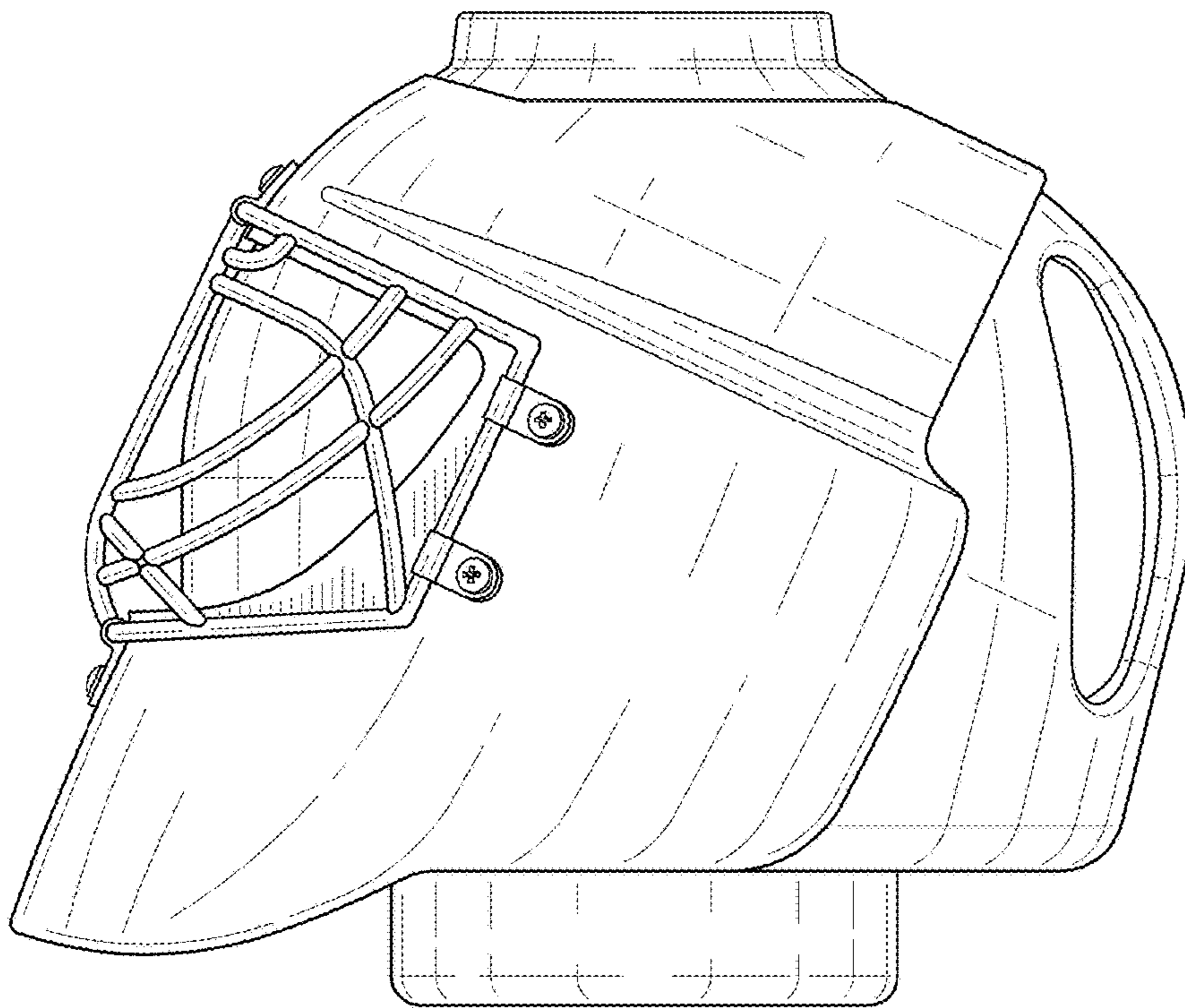


FIG. 3

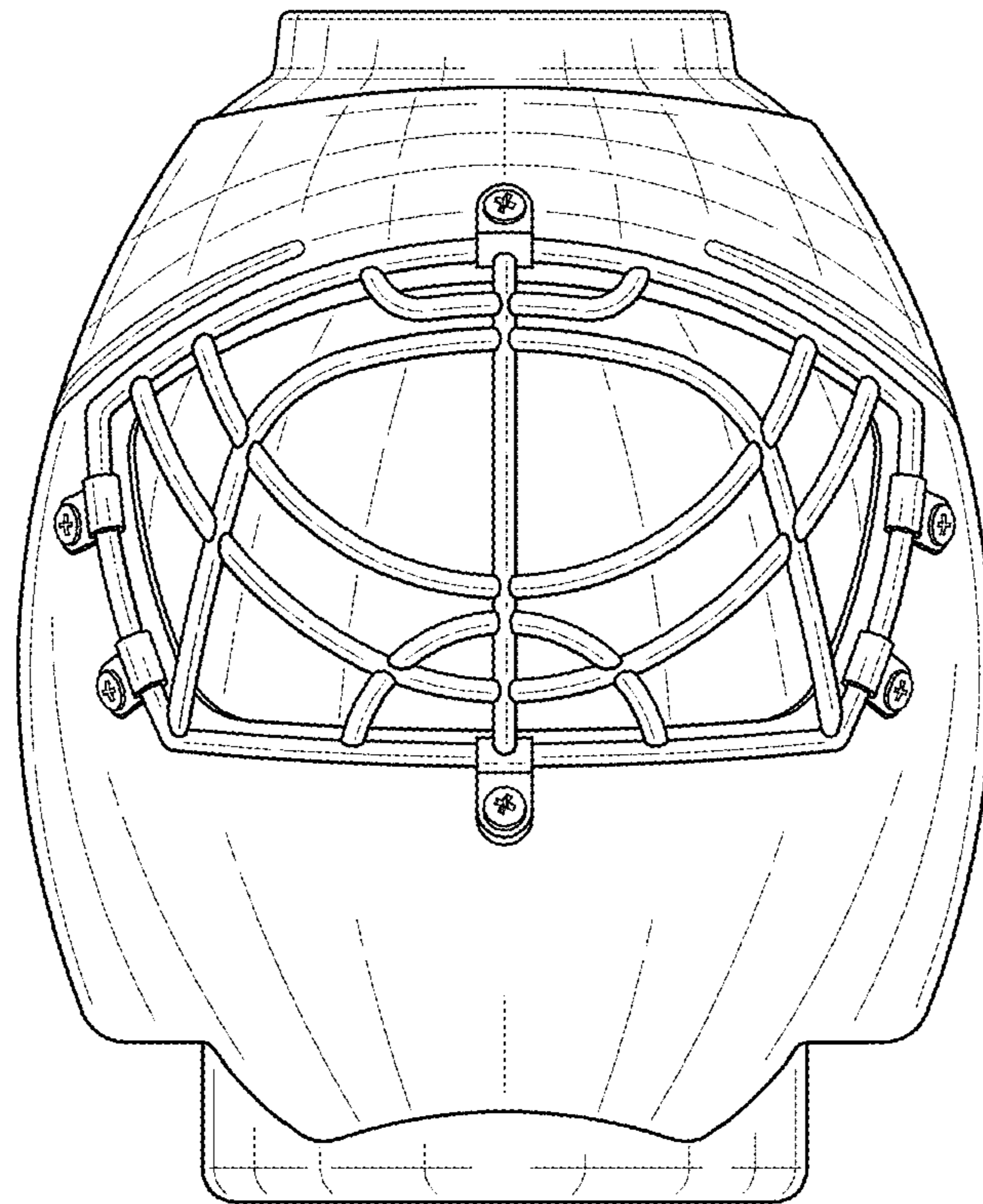


FIG. 4

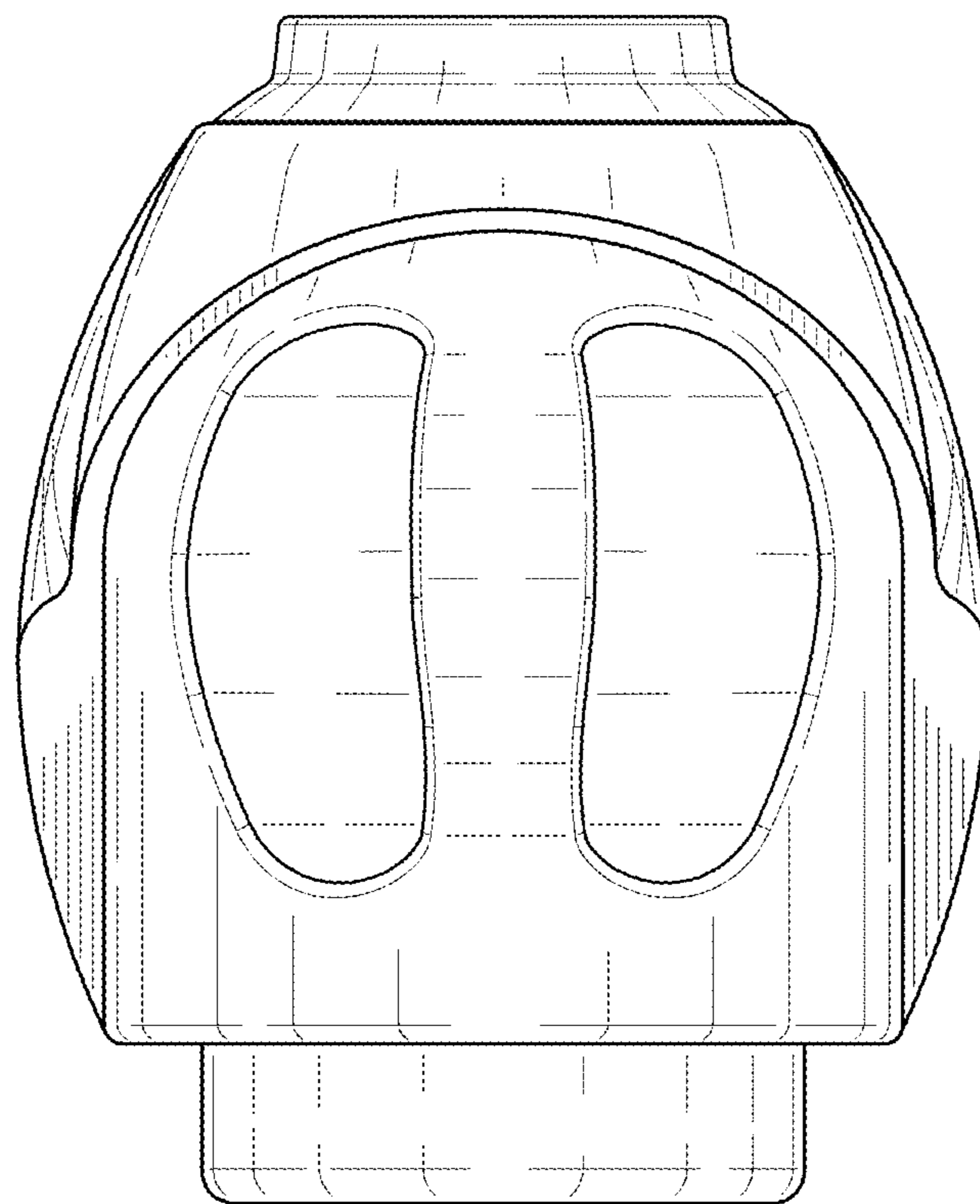


FIG. 5

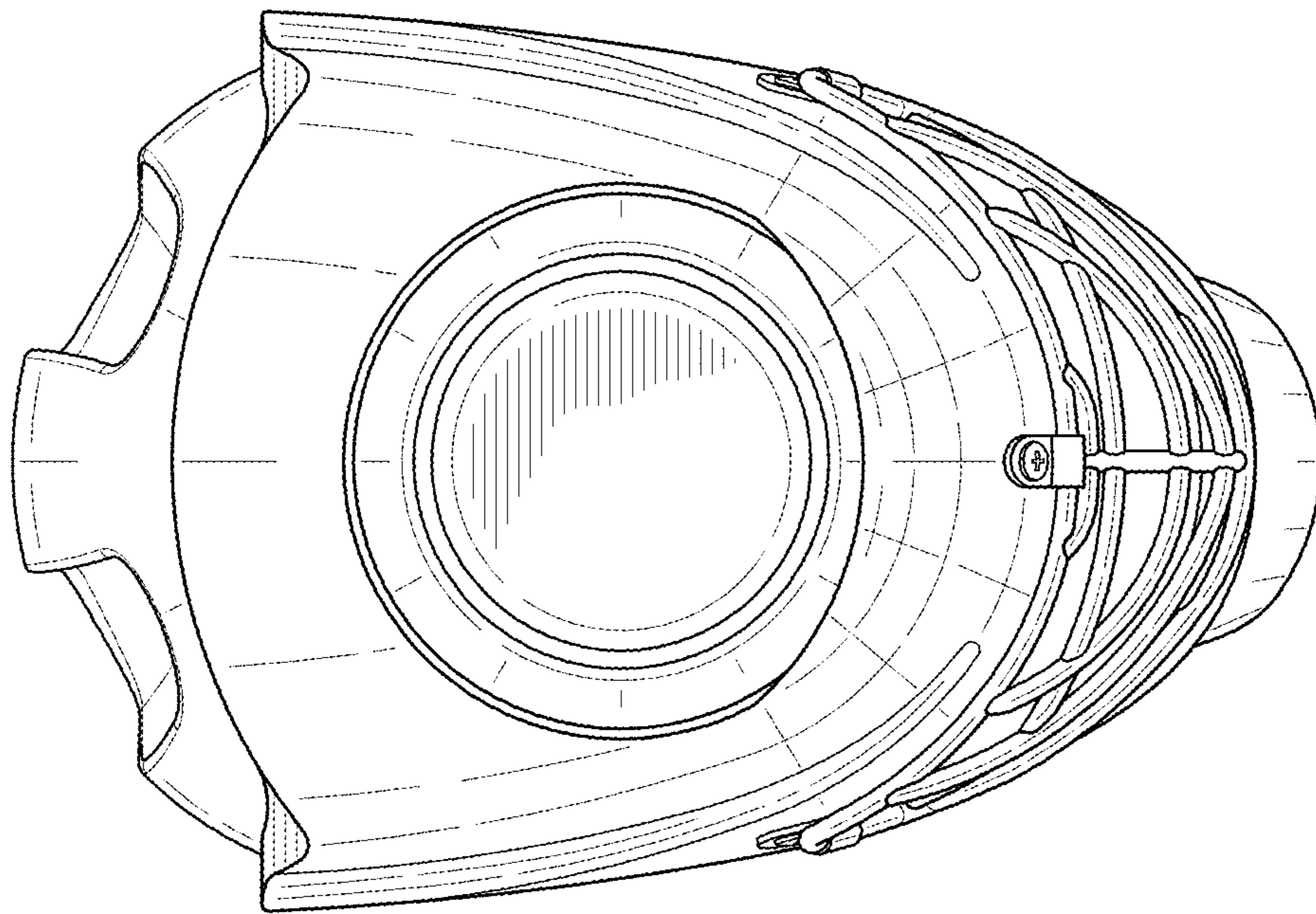


FIG. 6

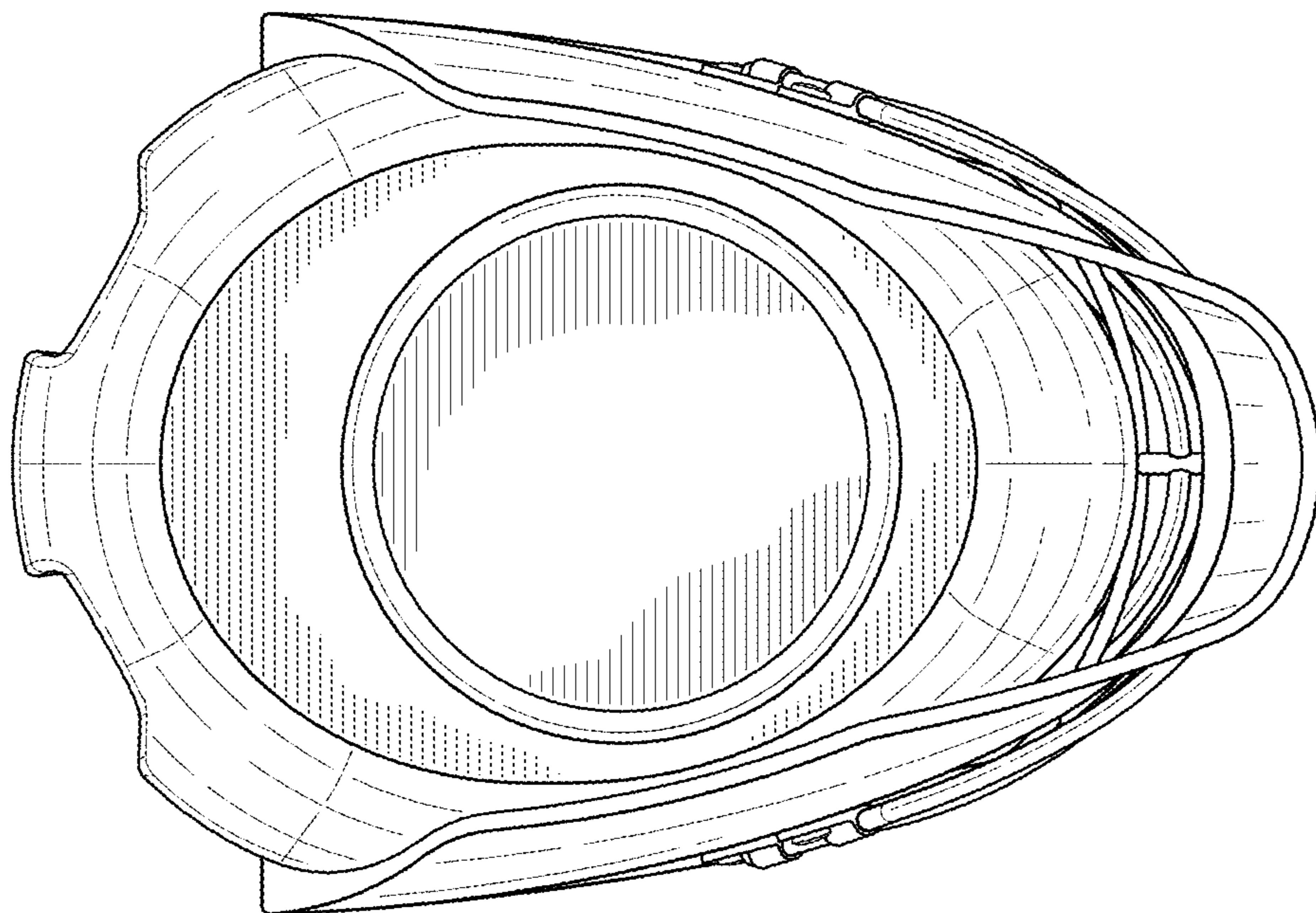


FIG. 7

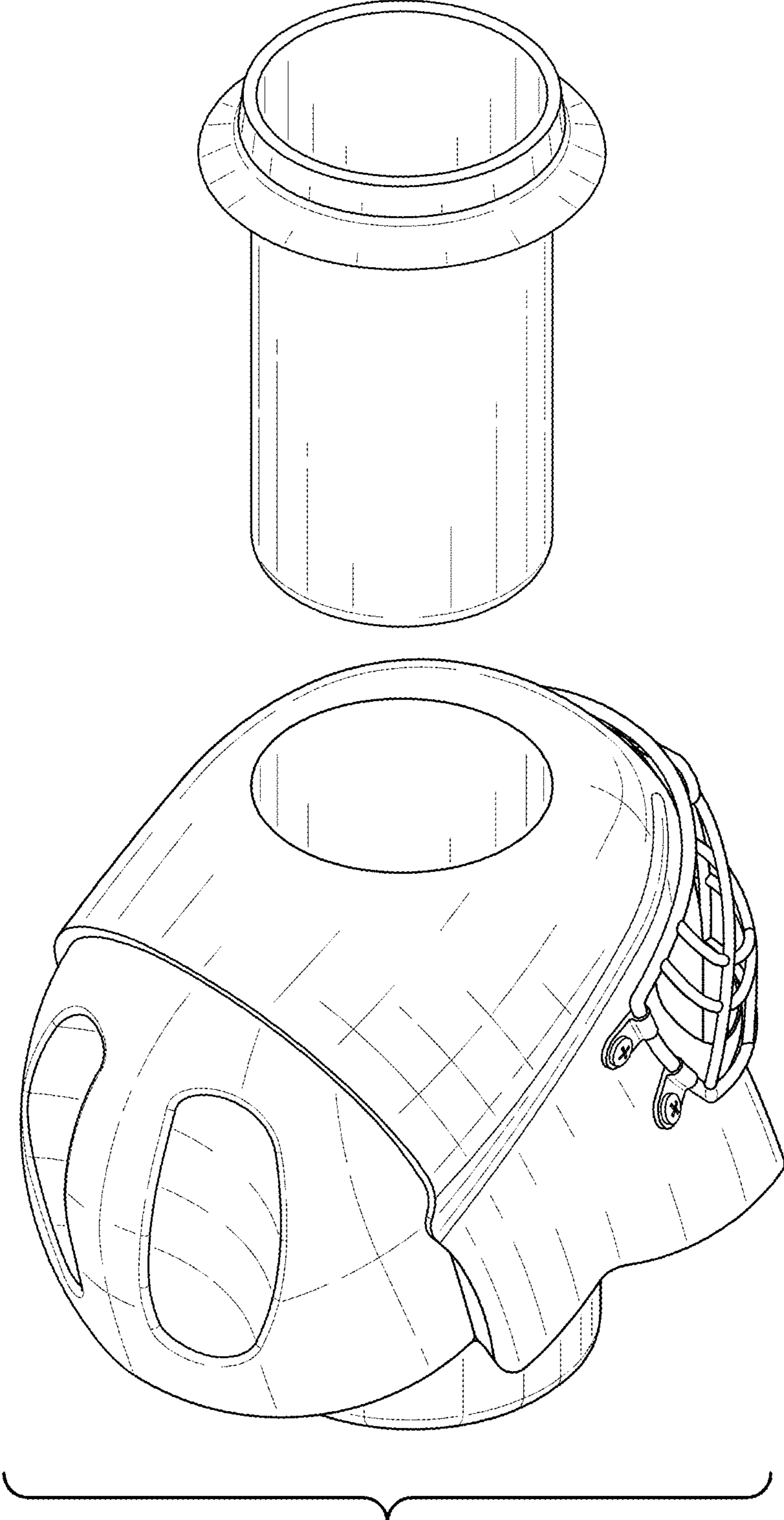


FIG. 8