



US00D801124S

(12) **United States Design Patent** (10) **Patent No.:** **US D801,124 S**  
**Sanford** (45) **Date of Patent:** **\*\* Oct. 31, 2017**

(54) **DRINKWARE HOLDER**

(56) **References Cited**

(71) Applicant: **Jeffery Thomas Sanford**, Harrisburg, PA (US)

U.S. PATENT DOCUMENTS

(72) Inventor: **Jeffery Thomas Sanford**, Harrisburg, PA (US)

D236,410 S *	8/1975	Jenkins .....	D7/622
D370,384 S *	6/1996	Shamis .....	D7/393
D398,815 S *	9/1998	Hatsumoto .....	D7/533
D437,187 S *	2/2001	Cheng .....	D7/622

(\*\*) Term: **15 Years**

\* cited by examiner

(21) Appl. No.: **29/587,248**

*Primary Examiner* — Terry Wallace

(22) Filed: **Dec. 12, 2016**

(74) *Attorney, Agent, or Firm* — Steve O'Donnell

(51) **LOC (10) Cl.** ..... **07-06**

(57) **CLAIM**

(52) **U.S. Cl.**

The ornamental drinkware holder, as shown and described.

USPC ..... **D7/622**

**DESCRIPTION**

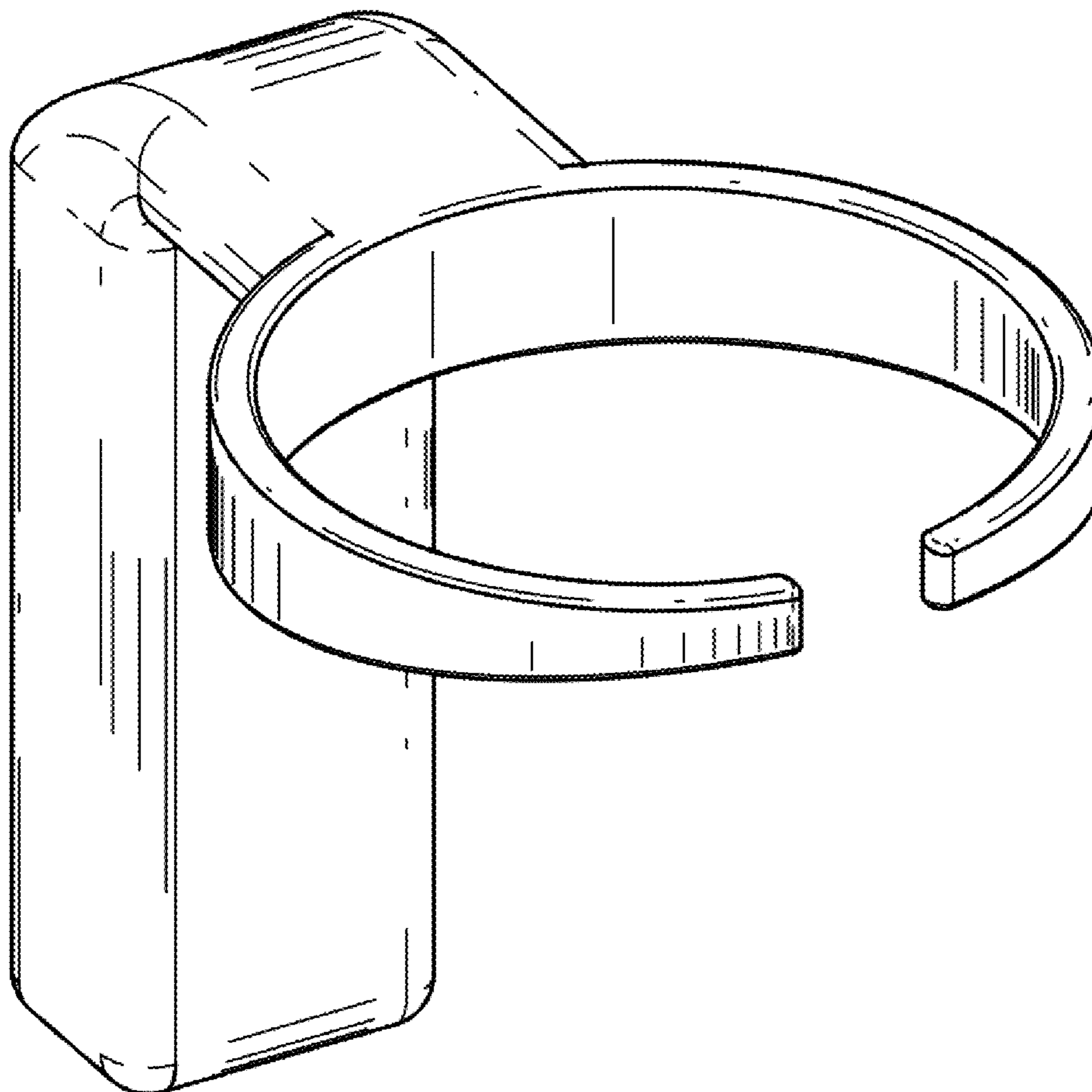
(58) **Field of Classification Search**

USPC ..... D7/619.1-625, 605-608, 707-708, 533, D7/536, 393, 396.2, 509-511; D9/499, D9/455, 434, 436, 443  
CPC . A45F 5/10; A61J 9/06; B65D 23/106; B65D 23/10; B65D 23/104; B65D 23/0233; B65D 23/0241; B65D 23/0216; A47G 23/0266; A47G 23/0241; A47G 23/0258; A47G 23/02; A47J 45/10; A47J 45/077

FIG. 1 is a perspective view of my design.  
FIG. 2 is a side elevation view of my design. The opposite side is a mirror image of this view.  
FIG. 3 is a rear elevation view of my design.  
FIG. 4 is a front elevation view of my design.  
FIG. 5 is a bottom plan view of my design; and,  
FIG. 6 is a top plan view of my design.

See application file for complete search history.

**1 Claim, 3 Drawing Sheets**



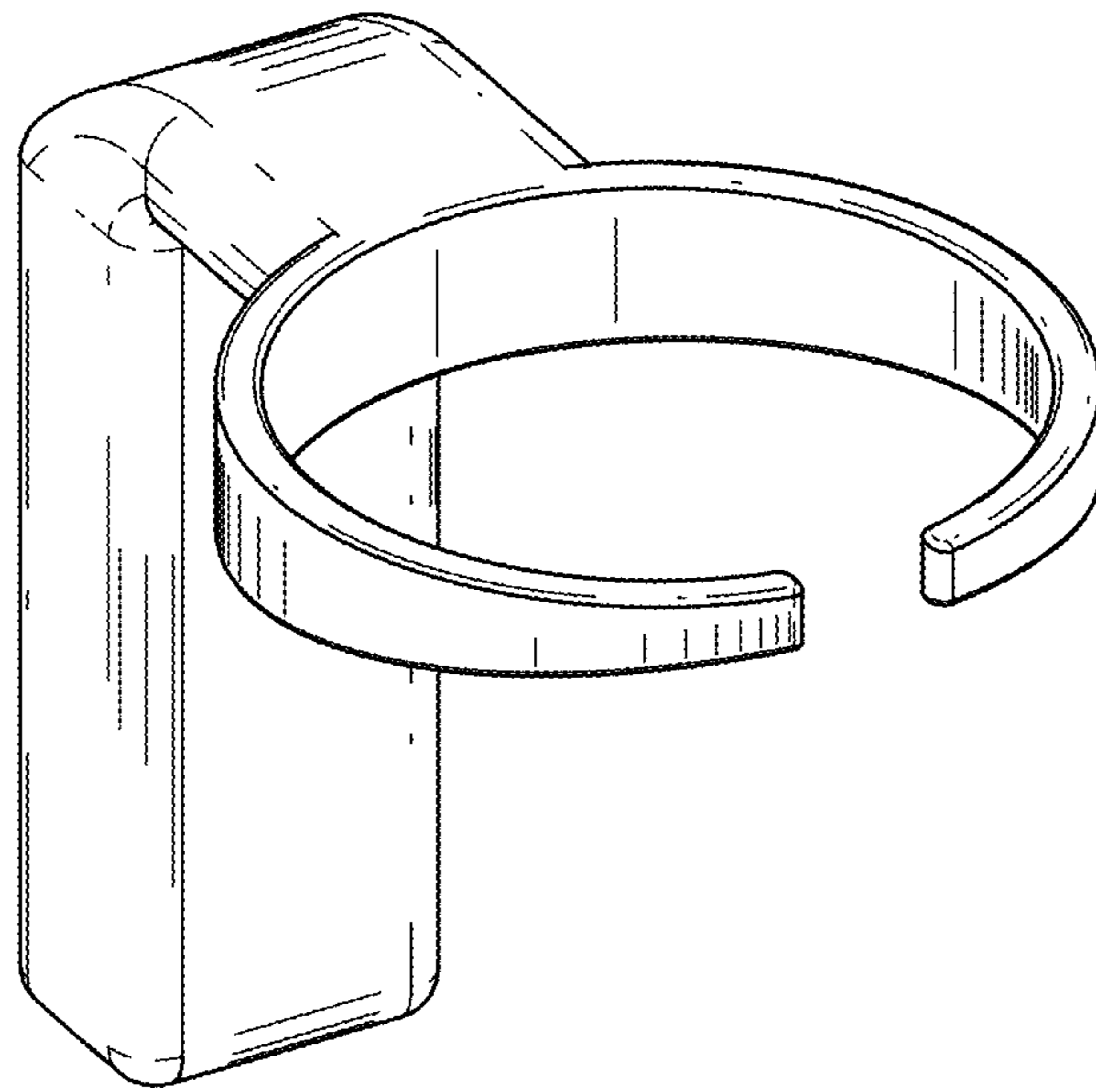


FIG. 1

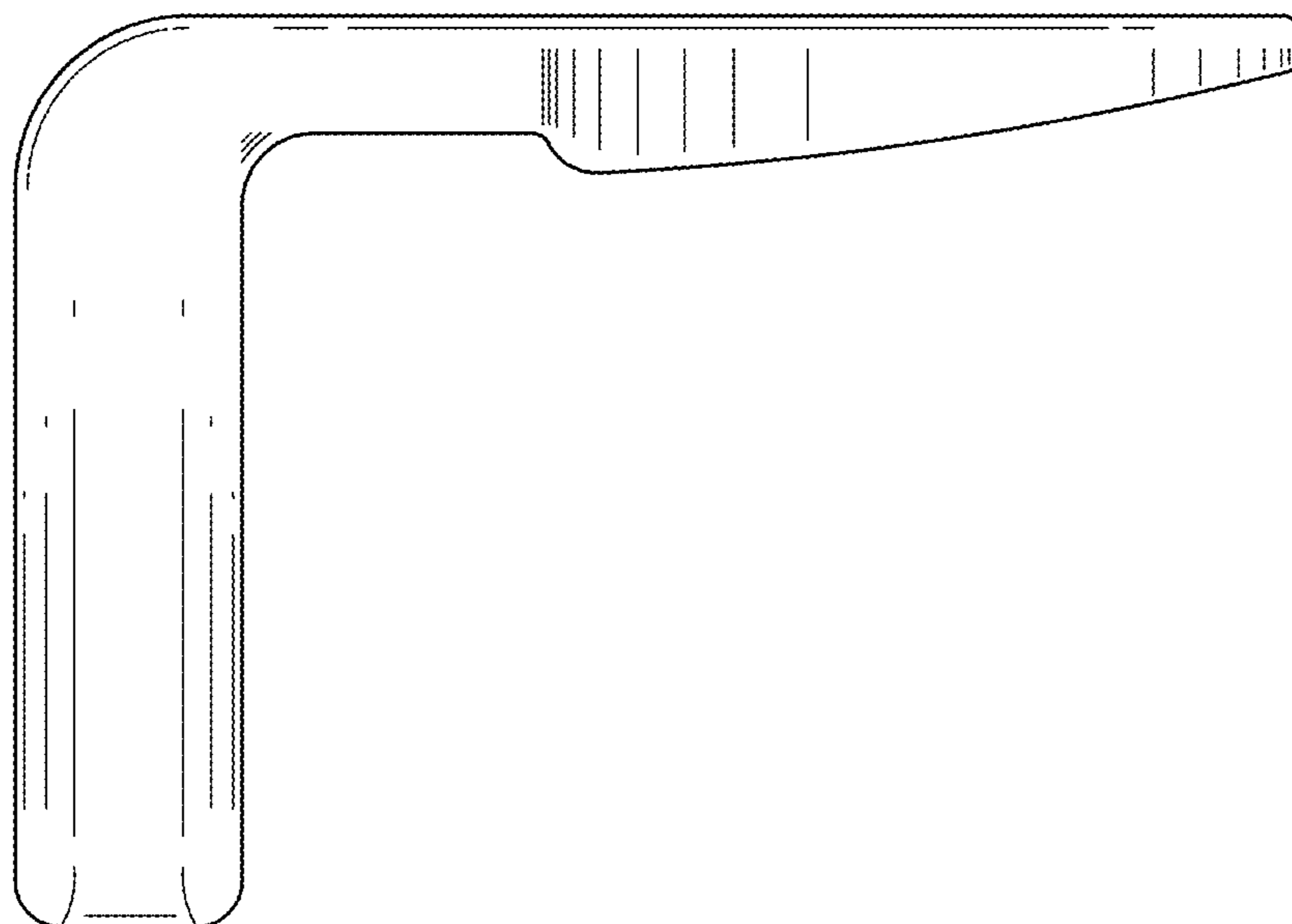


FIG. 2

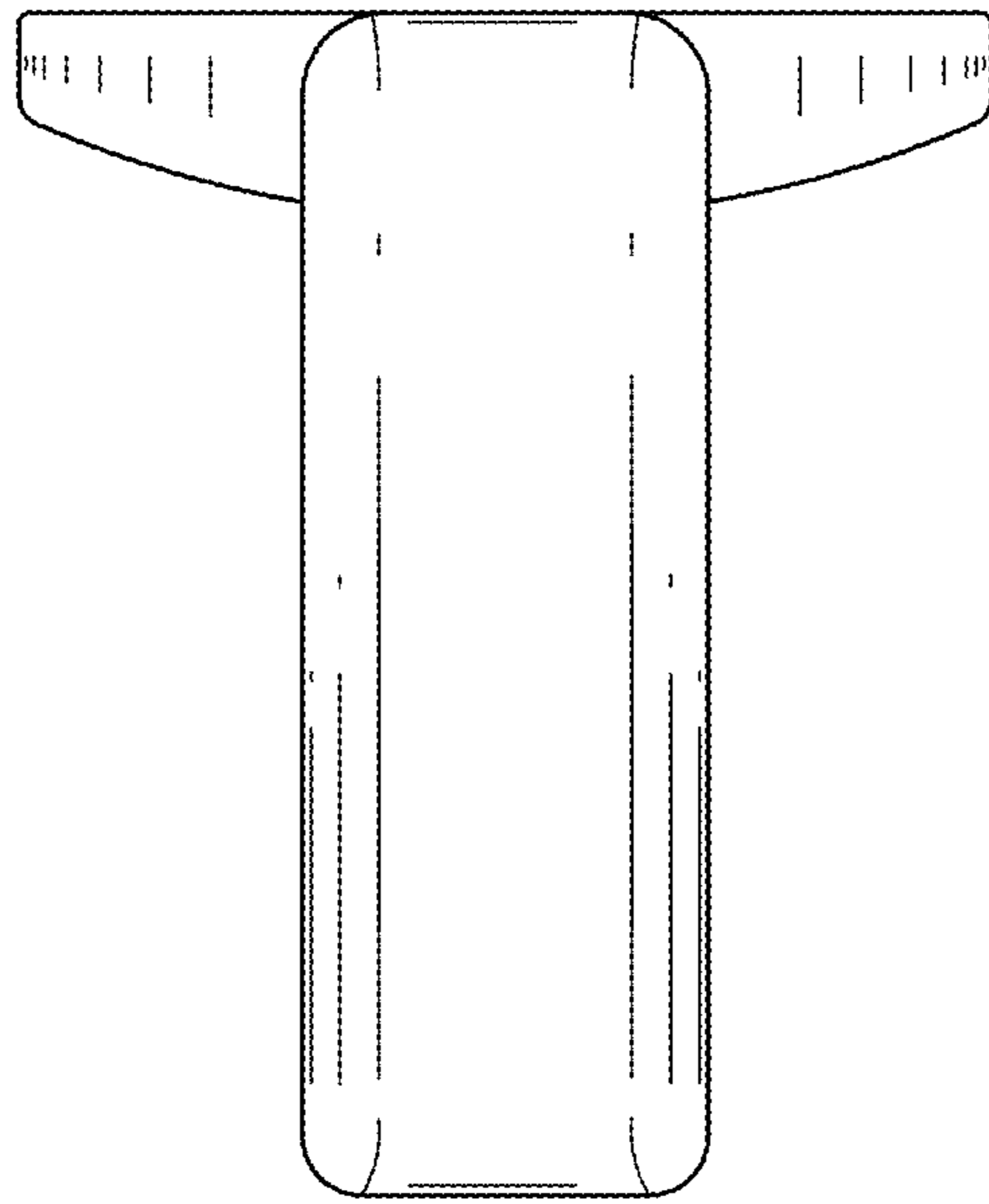


FIG. 3

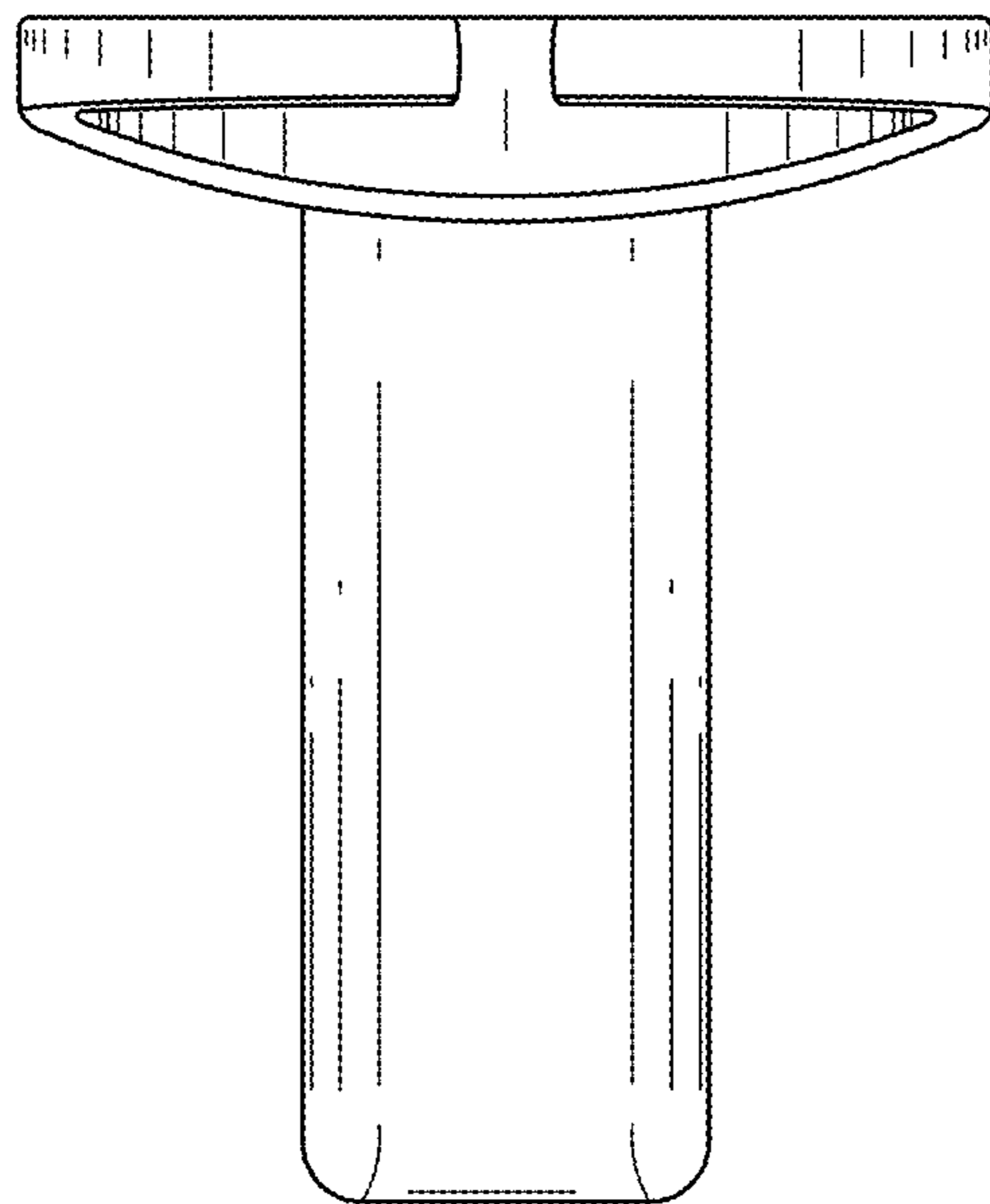


FIG. 4

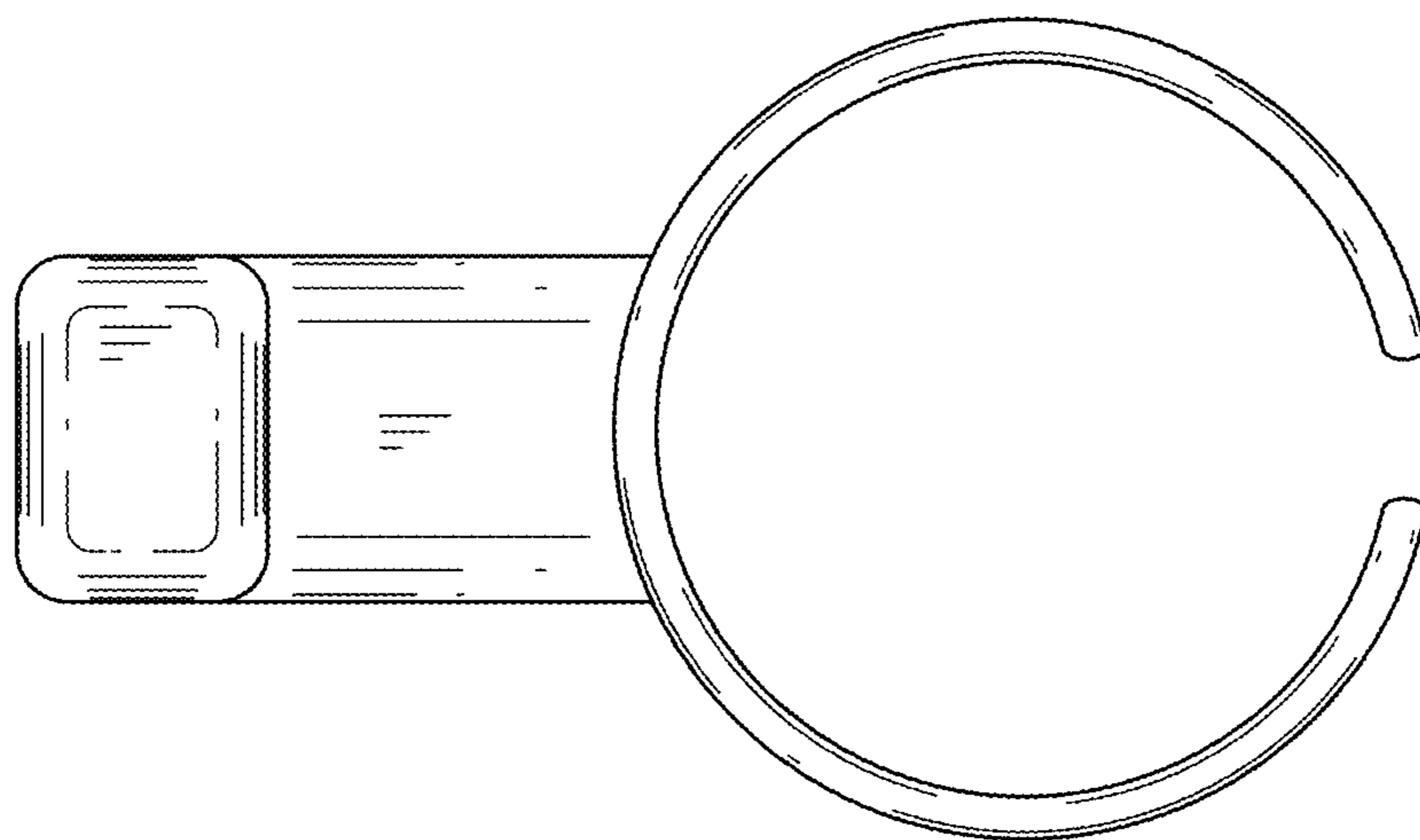


FIG. 5

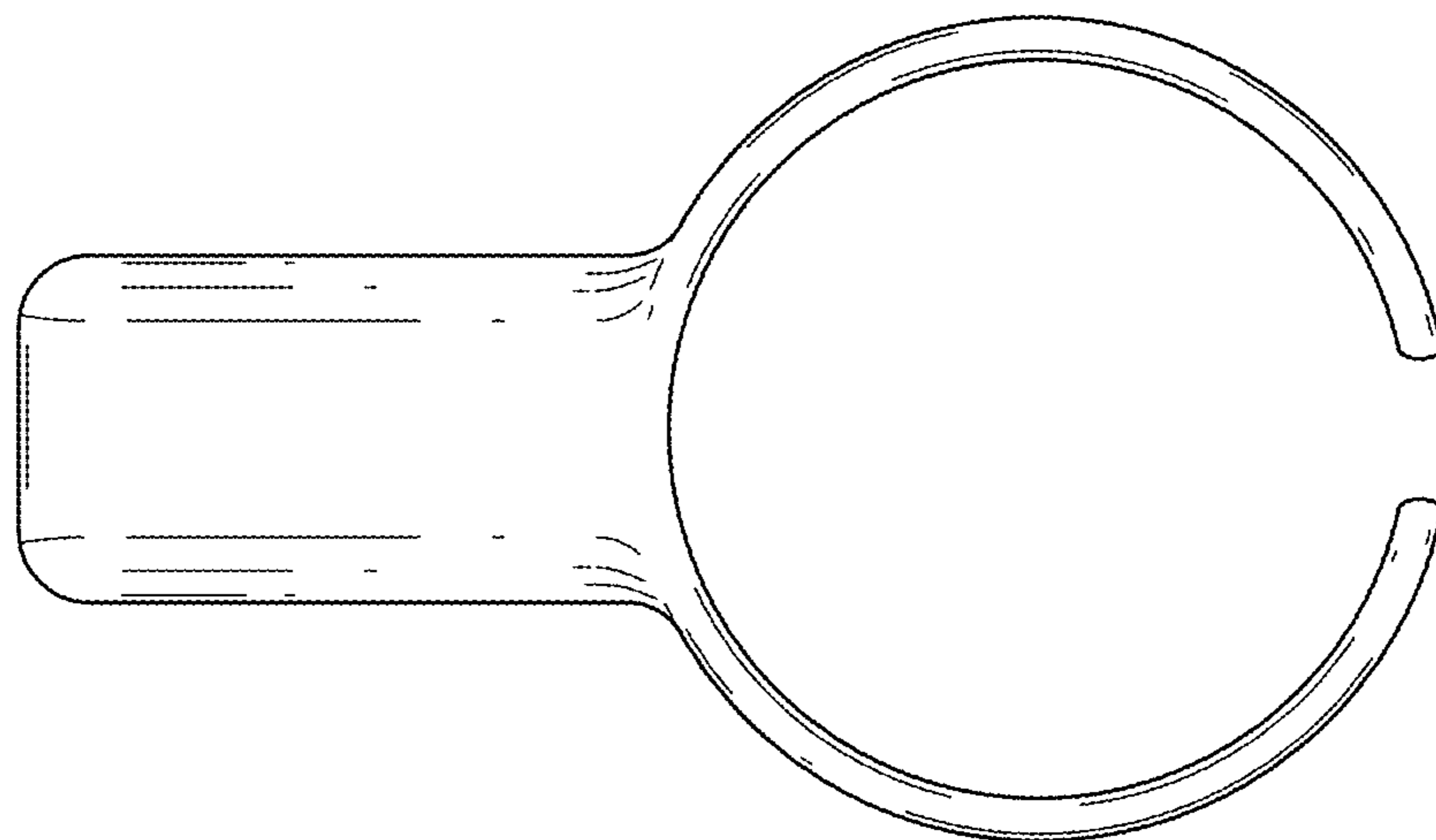


FIG. 6