



US00D801122S

(12) **United States Design Patent**
Haddad

(10) **Patent No.:** **US D801,122 S**
(45) **Date of Patent:** **** Oct. 31, 2017**

(54) **PLATE**

(71) Applicant: **L'atelier Brands Inc.**, George Town (KY)

(72) Inventor: **Firas Haddad**, Dubai (AE)

(73) Assignee: **L'ATELIER BRANDS INC.** (KY)

(**) Term: **15 Years**

(21) Appl. No.: **29/552,668**

(22) Filed: **Jan. 25, 2016**

(51) **LOC (10) Cl.** **07-01**

(52) **U.S. Cl.**
USPC **D7/555**

(58) **Field of Classification Search**
USPC D7/585, 584, 500, 588, 555, 566;
220/574
CPC A47G 21/00; A47G 19/02
See application file for complete search history.

(56) **References Cited**

U.S. PATENT DOCUMENTS

D41,986 S	*	12/1911	Smith	D7/555
D83,595 S	*	3/1931	Boardman	D7/556
D188,502 S	*	8/1960	Metzler	D7/555
D194,054 S	*	11/1962	Grossman	D7/556
D200,867 S	*	4/1965	Haifley	D7/555
D250,928 S	*	1/1979	Franklin	D7/555
D291,042 S	*	7/1987	Fahey	D7/555

(Continued)

Primary Examiner — Cynthia Underwood

(74) *Attorney, Agent, or Firm* — Hankin Patent Law, APC; Kevin Schraven; Anooj Patel

(57) **CLAIM**

The ornamental design for a plate, as shown and described.

DESCRIPTION

FIG. 1 is a top perspective view of a first embodiment of a plate, showing my new design.

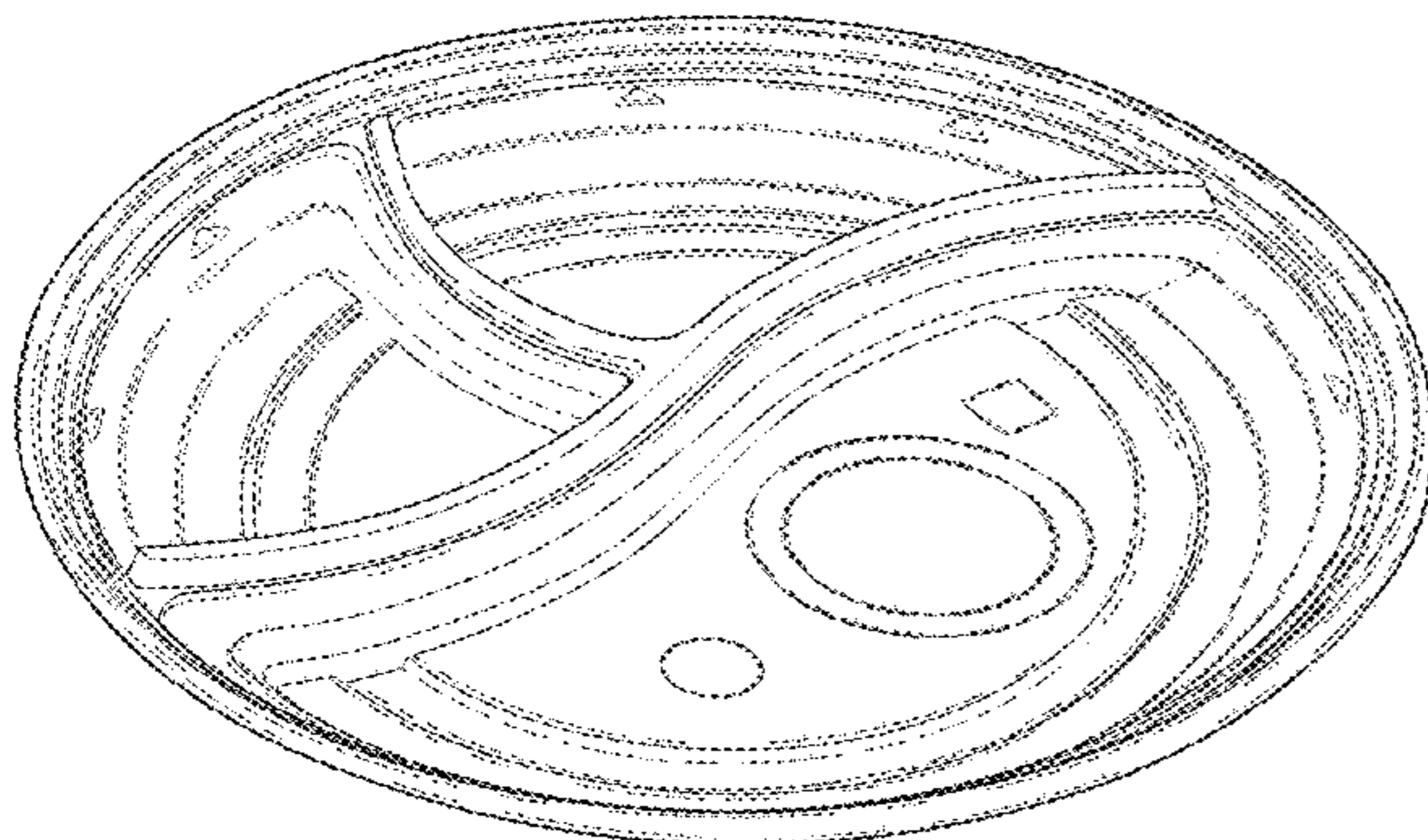


FIG. 2 is a bottom perspective view thereof.

FIG. 3 is a top plan view thereof.

FIG. 4 is a bottom plan view thereof.

FIG. 5 is a front elevational view thereof.

FIG. 6 is a rear elevational view thereof.

FIG. 7 is a left side view thereof.

FIG. 8 is a right side view thereof.

FIG. 9 is a top perspective view of a second embodiment of the plate, showing my new design.

FIG. 10 is a bottom perspective view thereof.

FIG. 11 is a top plan view thereof.

FIG. 12 is a bottom plan view thereof.

FIG. 13 is a front elevational view thereof.

FIG. 14 is a rear elevational view thereof.

FIG. 15 is a left side view thereof.

FIG. 16 is a right side view thereof.

FIG. 17 is a top perspective view of a third embodiment of the plate, showing my new design.

FIG. 18 is a bottom perspective view thereof.

FIG. 19 is a top plan view thereof.

FIG. 20 is a bottom plan view thereof.

FIG. 21 is a front elevational view thereof.

FIG. 22 is a rear elevational view thereof.

FIG. 23 is a left side view thereof.

FIG. 24 is a right side view thereof.

FIG. 25 is a top perspective view of a fourth embodiment of the plate, showing my new design.

FIG. 26 is a bottom perspective view thereof.

FIG. 27 is a top plan view thereof.

FIG. 28 is a bottom plan view thereof.

FIG. 29 is a front elevational view thereof.

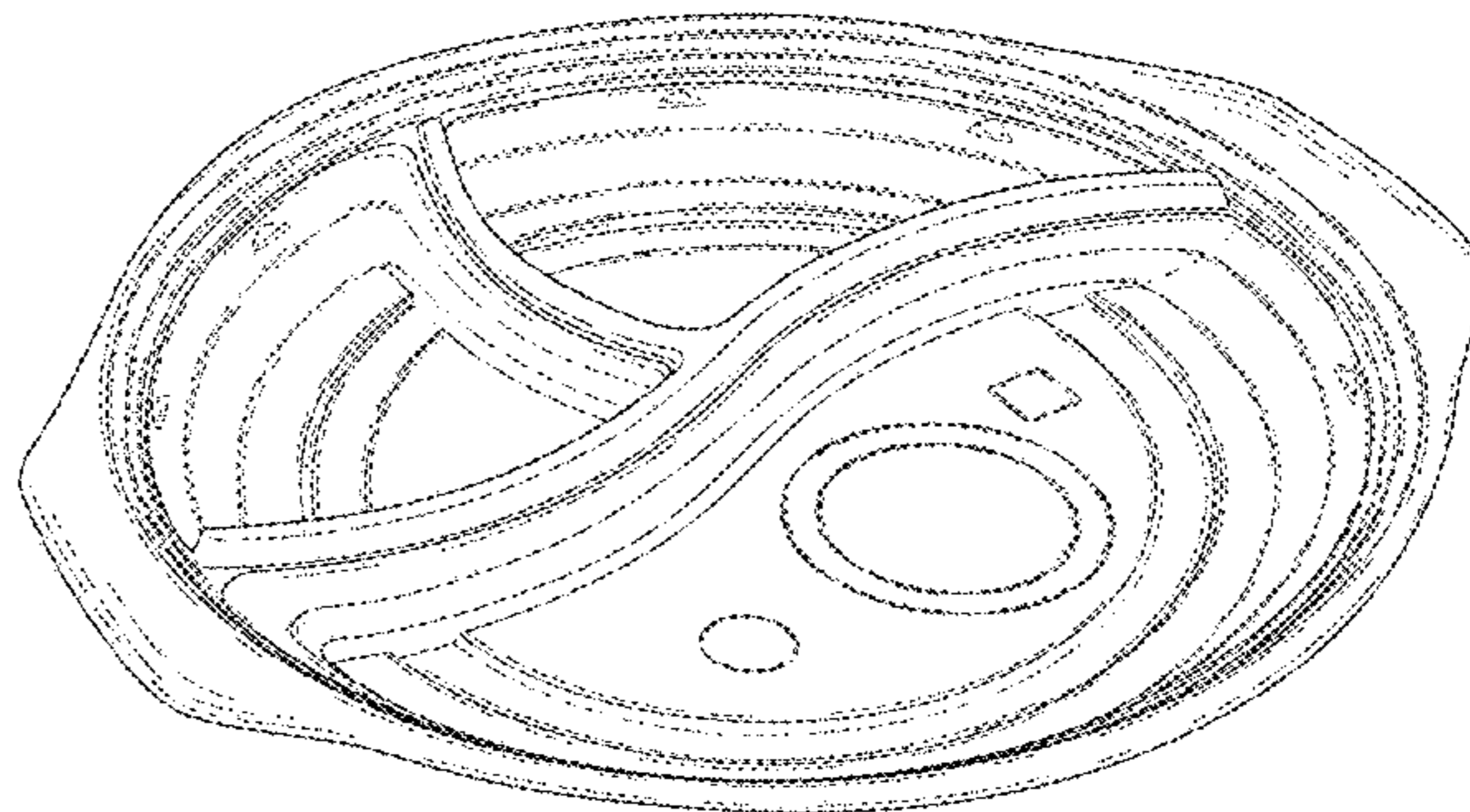
FIG. 30 is a rear elevational view thereof.

FIG. 31 is a left side view thereof; and,

FIG. 32 is a right side view thereof.

The broken lines are for the purpose of illustrating unclaimed subject matter and form no part of the claimed design.

1 Claim, 32 Drawing Sheets



(56)

References Cited

U.S. PATENT DOCUMENTS

D376,295 S * 12/1996 Ahern, Jr. D7/549
D494,012 S * 8/2004 Bandy-Helderman D7/544
D540,121 S * 4/2007 Littlejohn D7/549
D541,589 S * 5/2007 Littlejohn D7/549
D547,127 S * 7/2007 Haughton D7/553.6
D551,024 S * 9/2007 Rousso D7/555
D562,078 S * 2/2008 Herssein D7/500
D602,743 S * 10/2009 Clark D7/551.1
D660,087 S * 5/2012 Ewen D7/555
8,226,415 B2 * 7/2012 Morris G09B 19/0092
434/127
D693,179 S * 11/2013 Vujea D7/555
9,119,506 B2 * 9/2015 Shendelman A47J 43/00
D747,930 S * 1/2016 Waddell D7/555
2015/0090726 A1 * 4/2015 Reichel A47G 19/02
220/575
2016/0260352 A1 * 9/2016 Ortiz G09B 19/0092
2017/0069225 A1 * 3/2017 Ortiz H04N 7/18

* cited by examiner

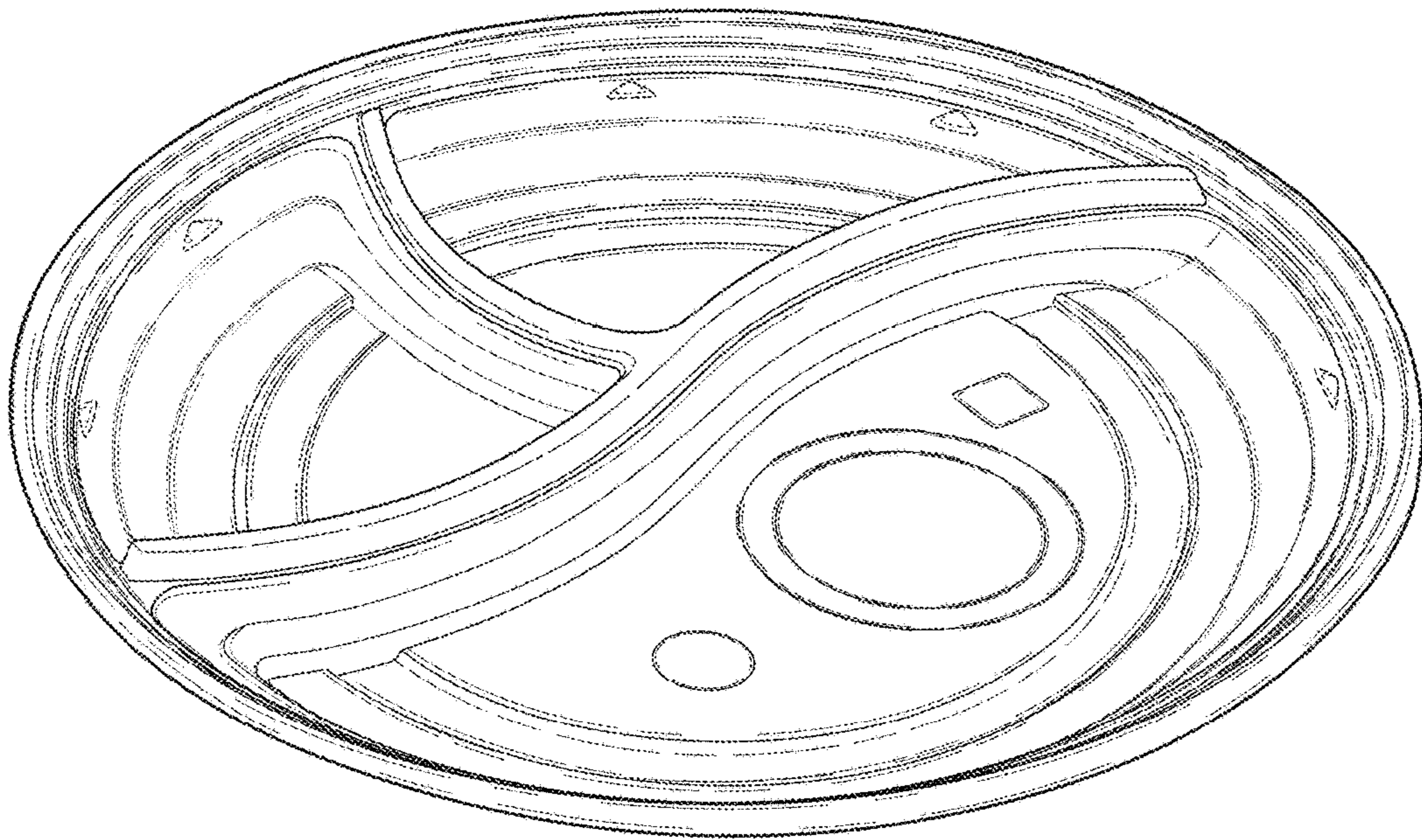


FIG. 1

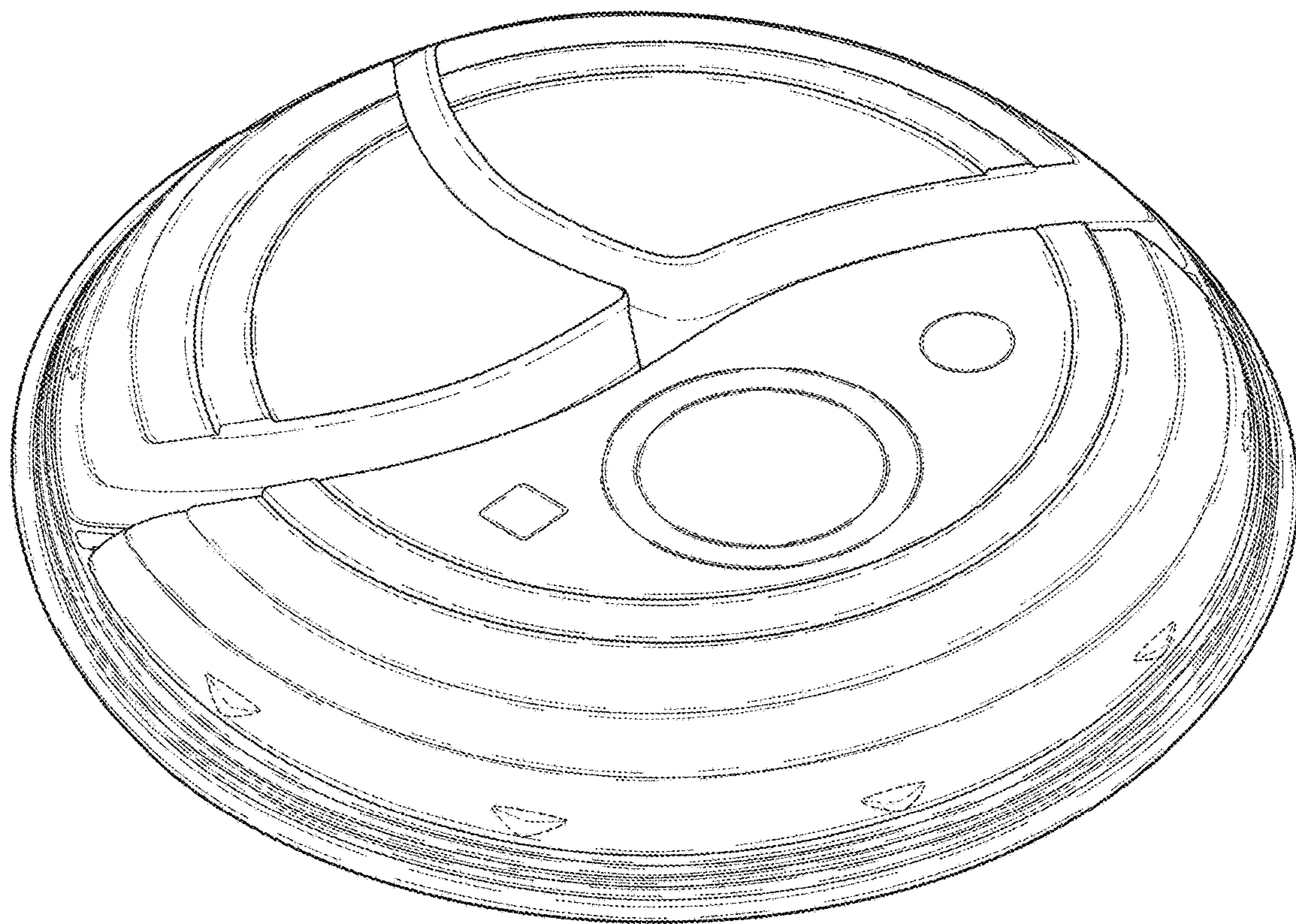


FIG. 2

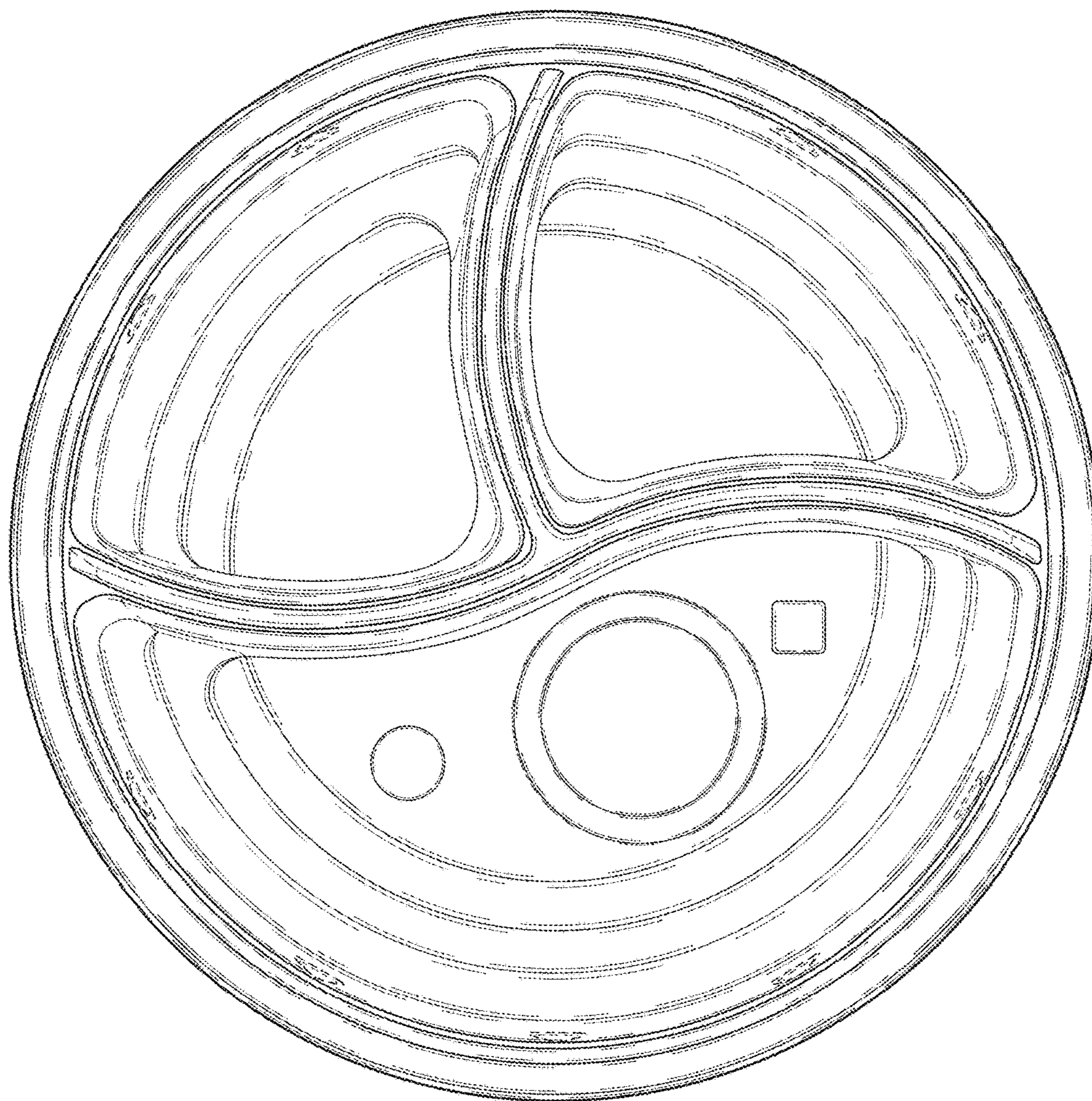


FIG. 3

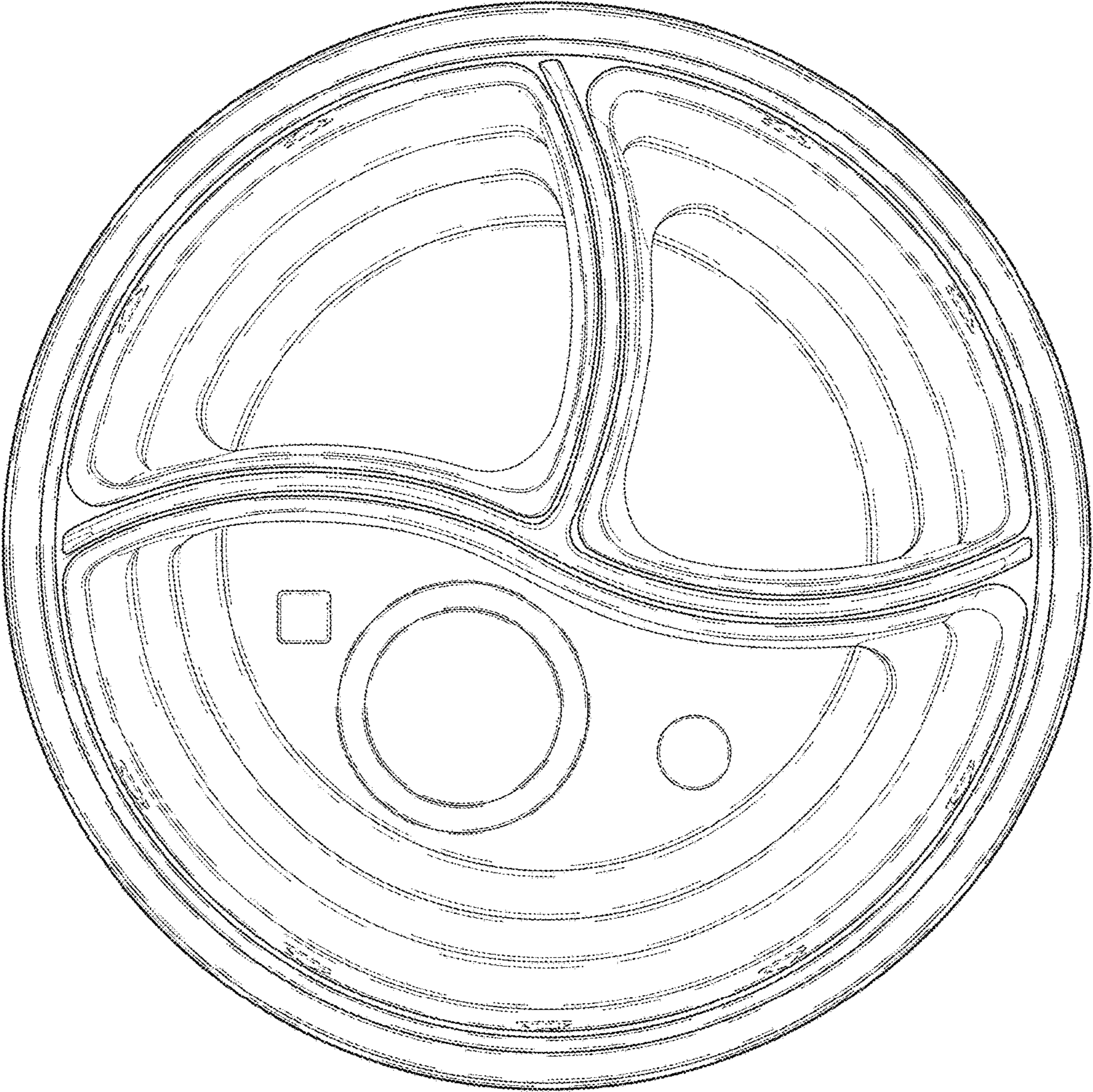


FIG. 4

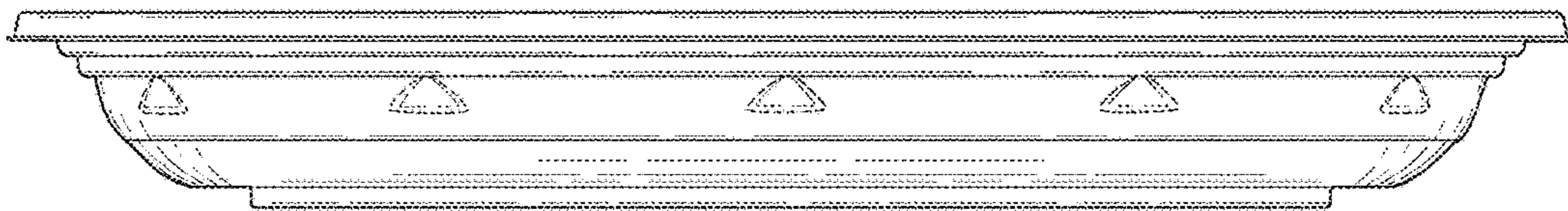


FIG. 5

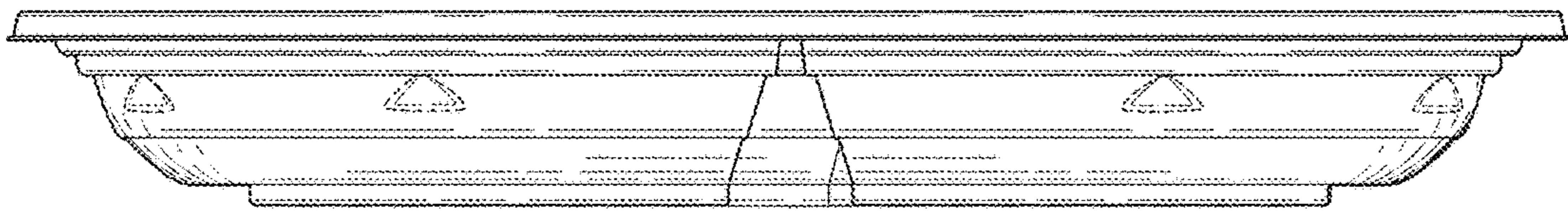


FIG. 6

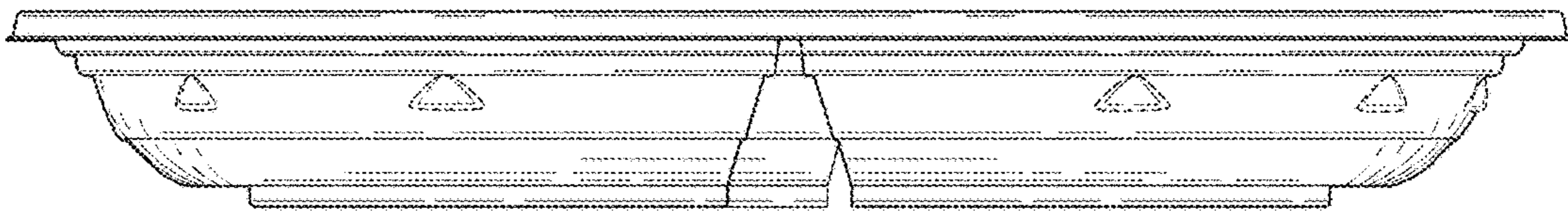


FIG. 7

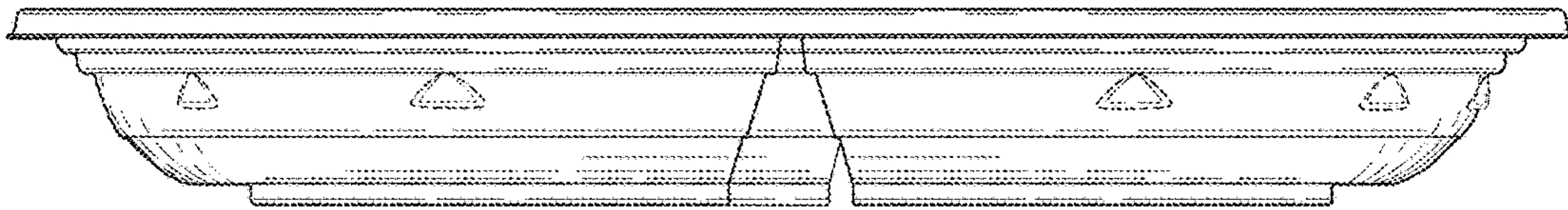


FIG. 8

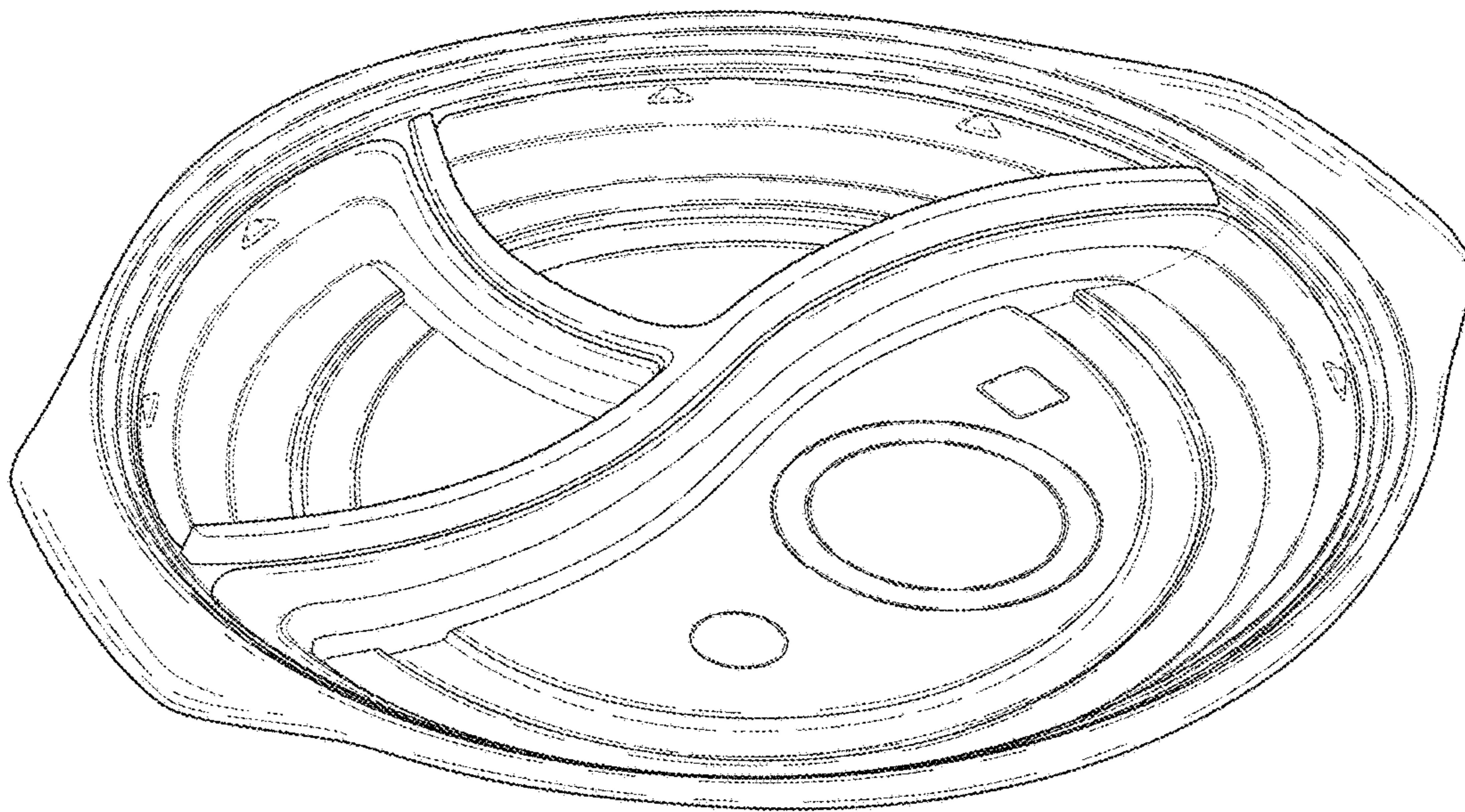


FIG. 9

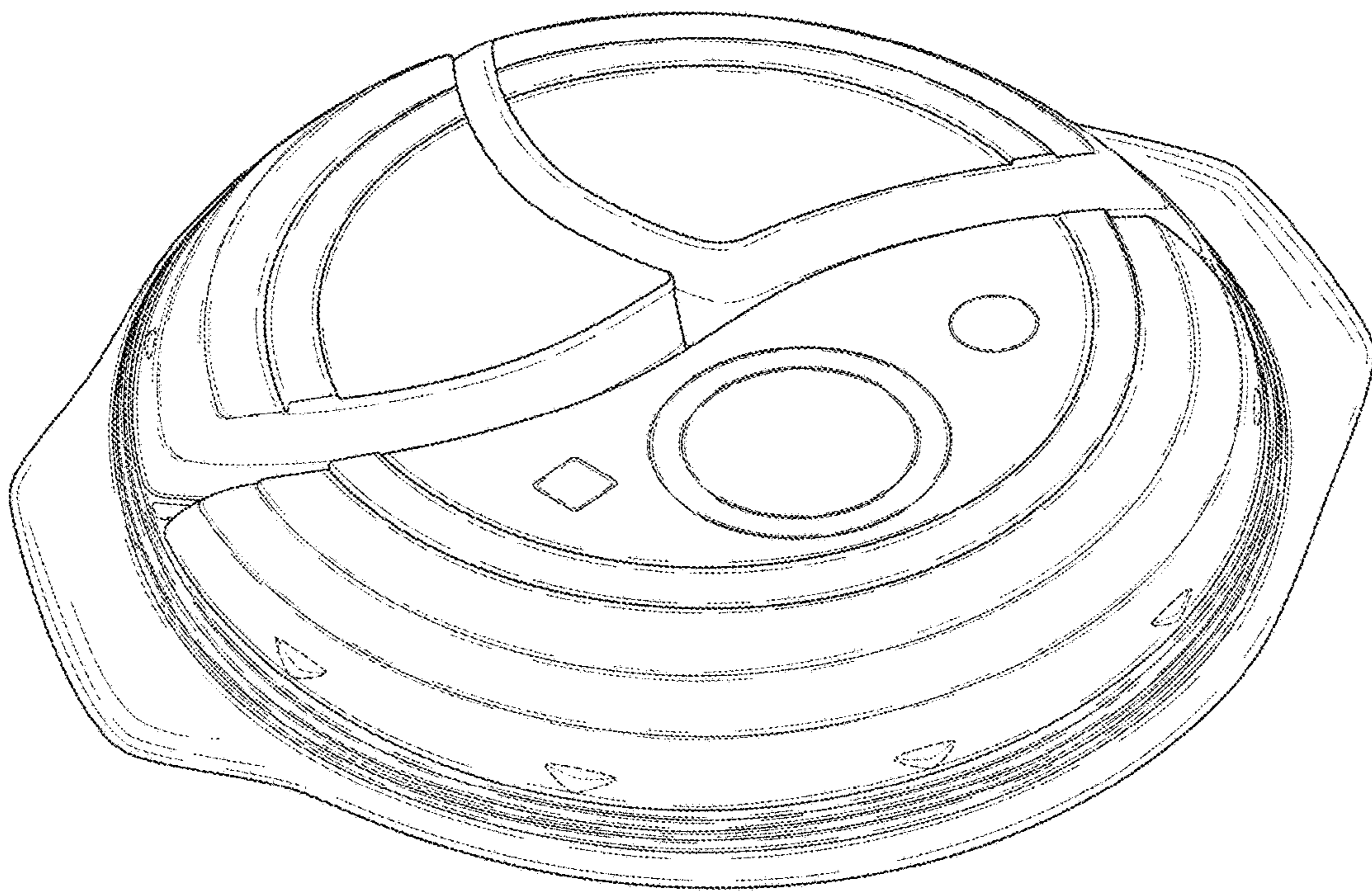


FIG. 10

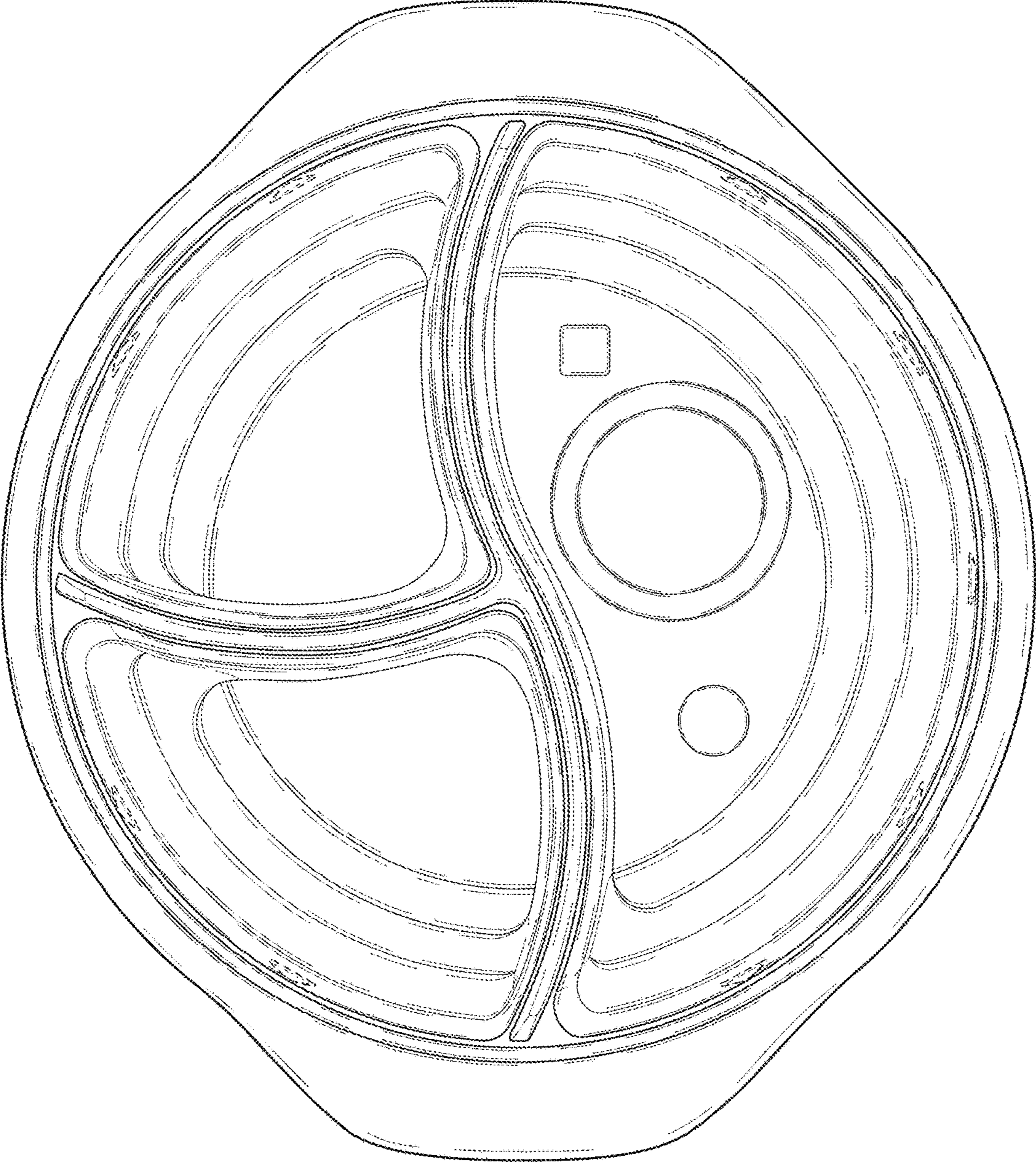


FIG. 11

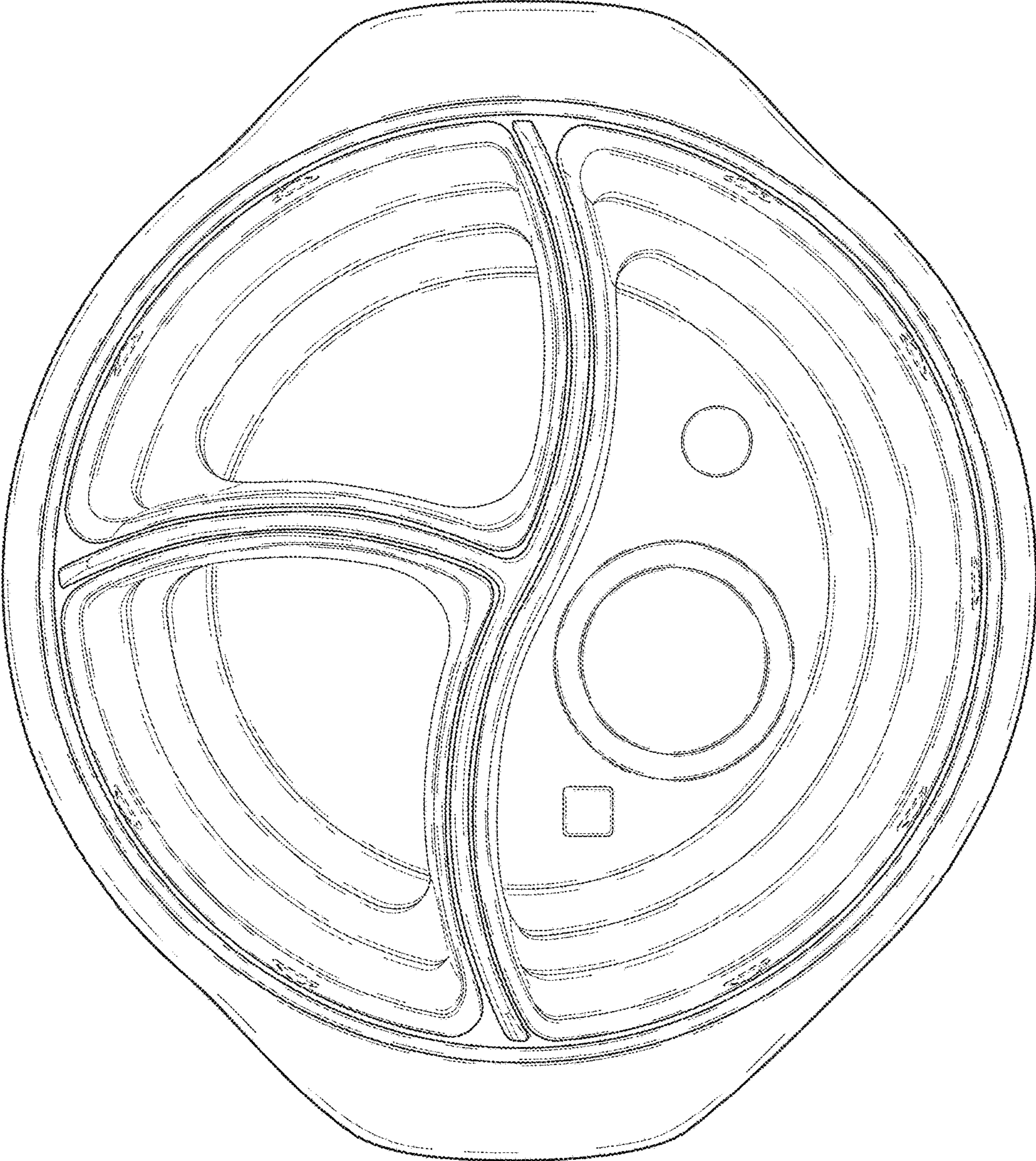


FIG. 12

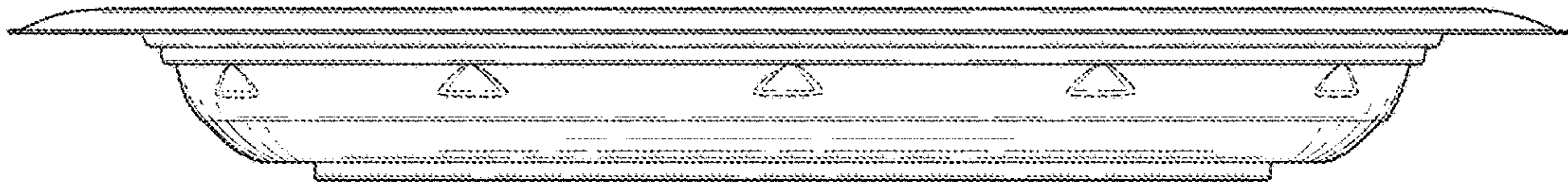


FIG. 13

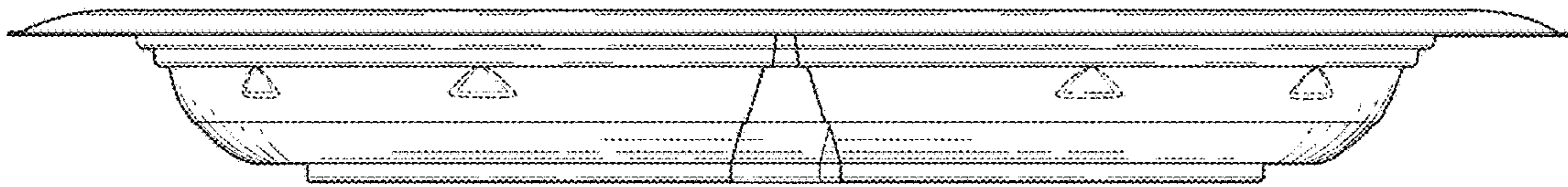


FIG. 14

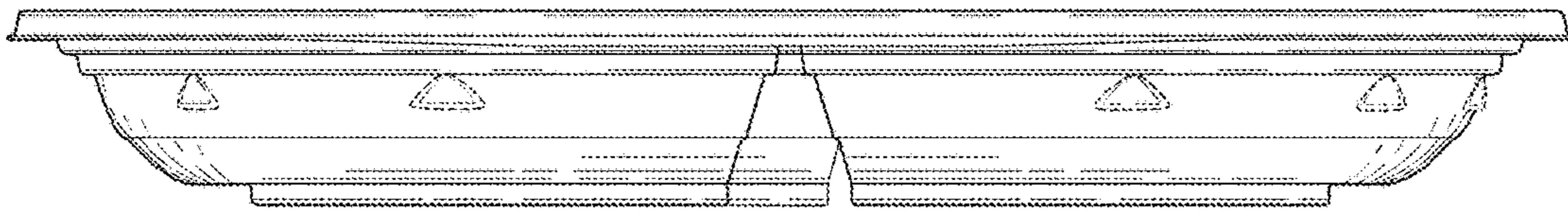


FIG. 15

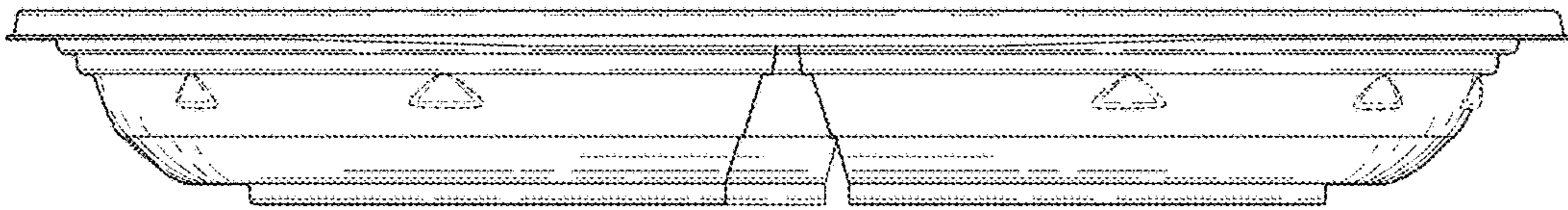


FIG. 16

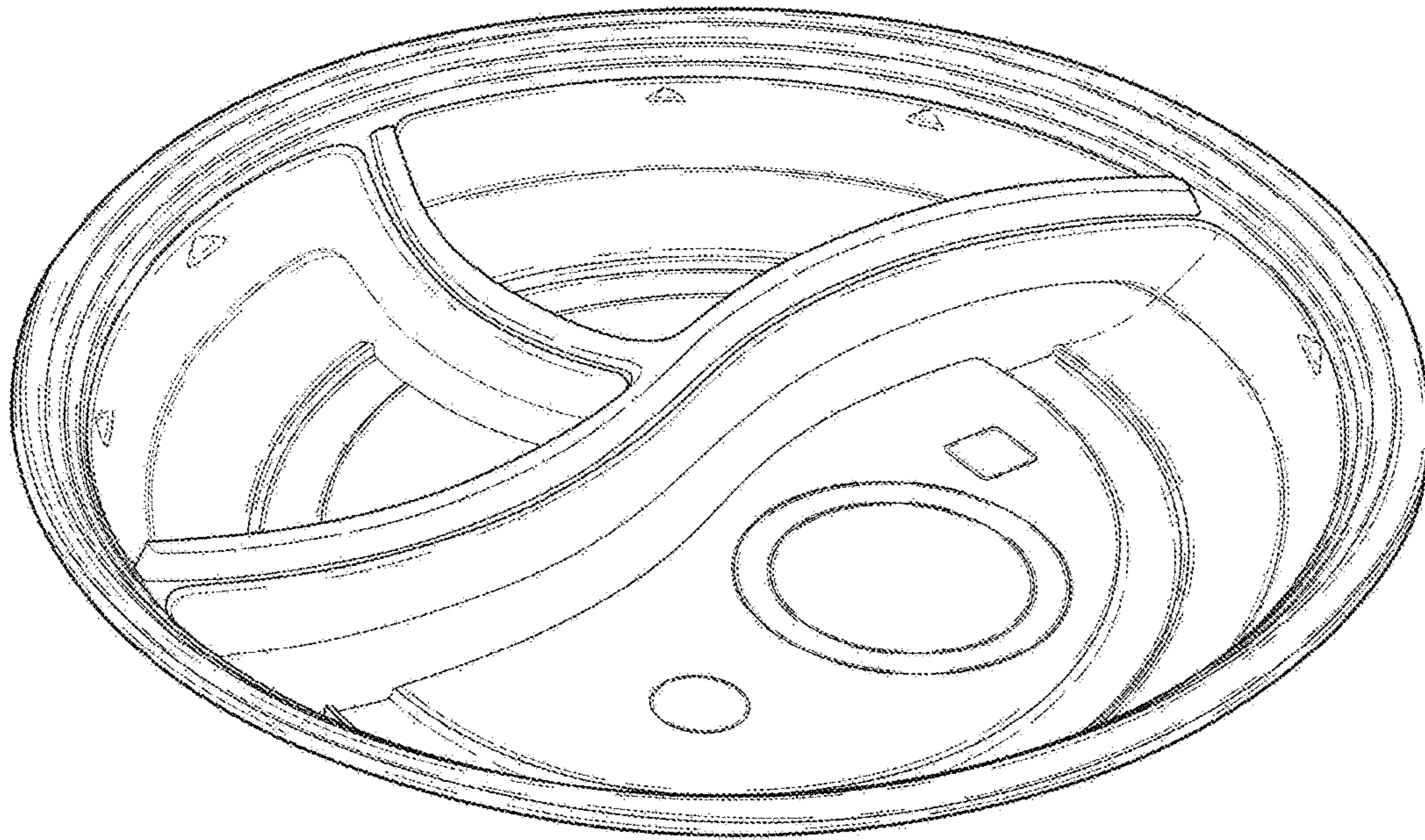


FIG. 17

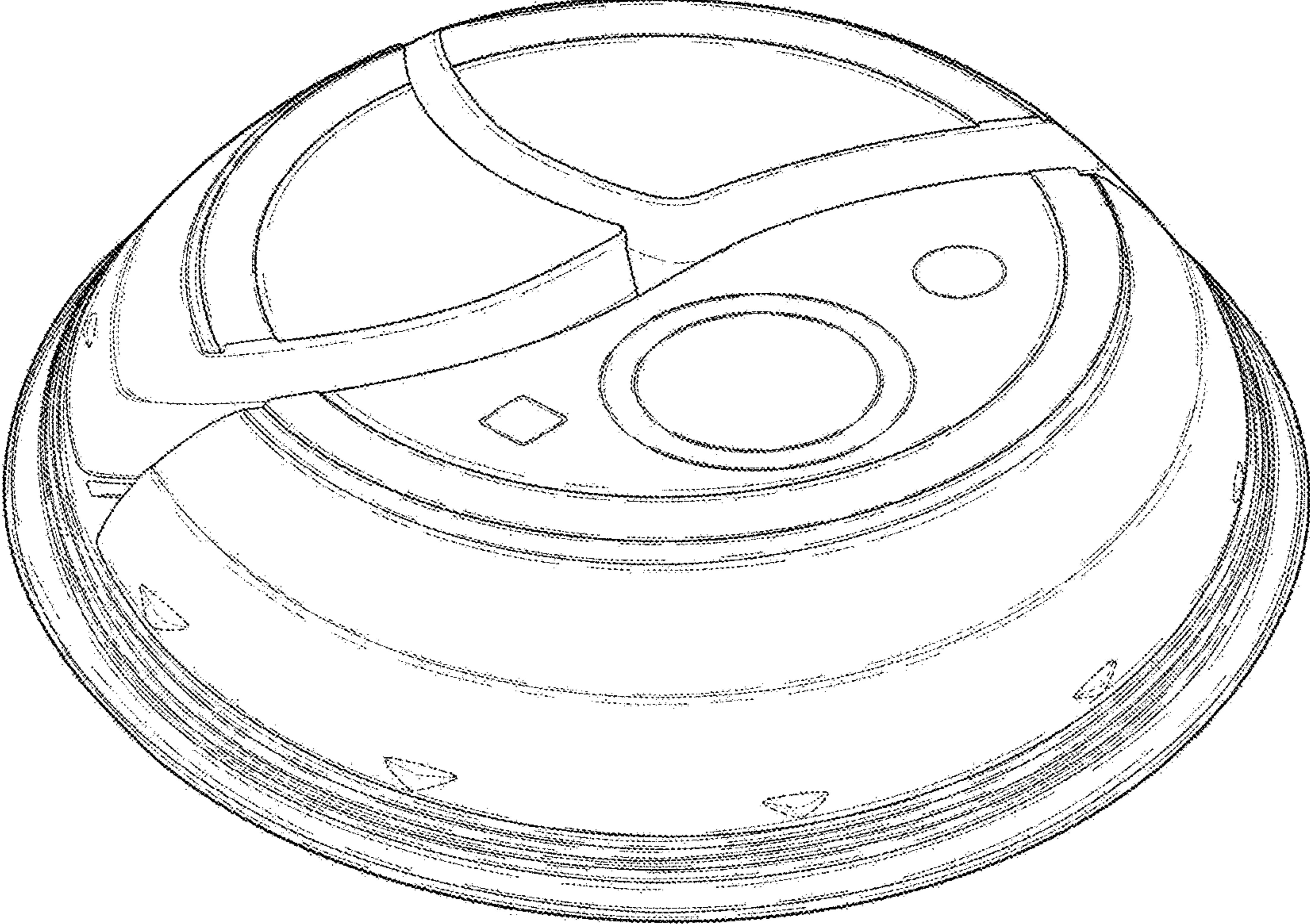


FIG. 18

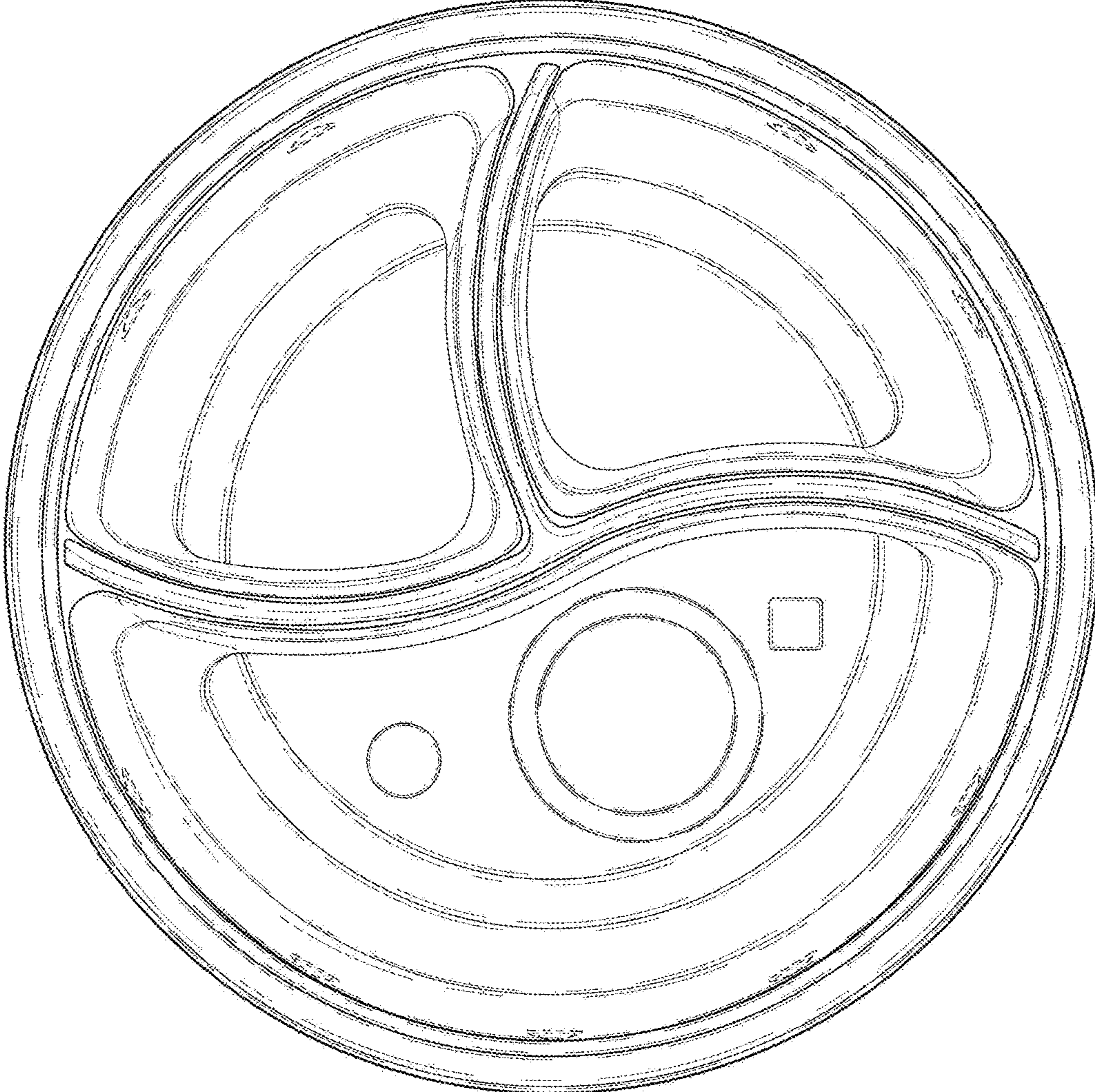


FIG. 19

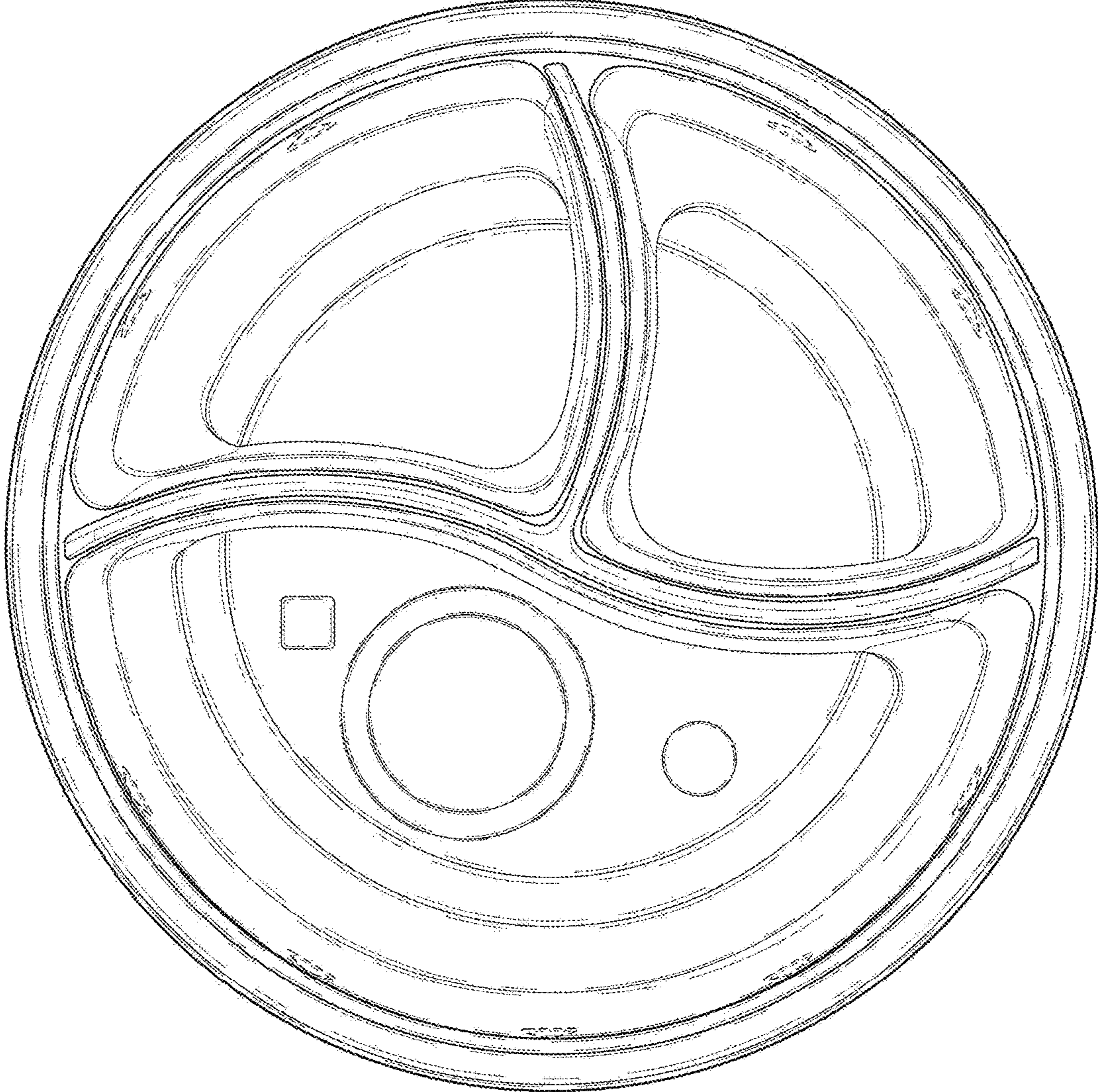


FIG. 20

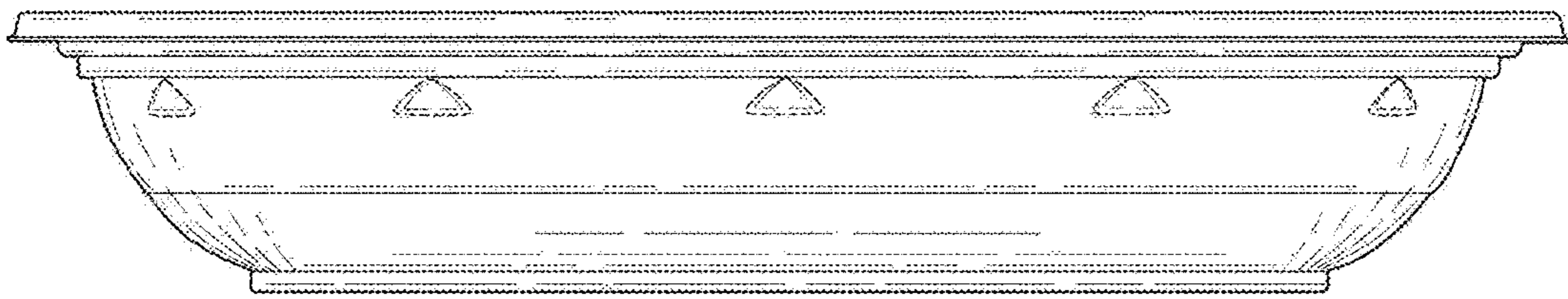


FIG. 21

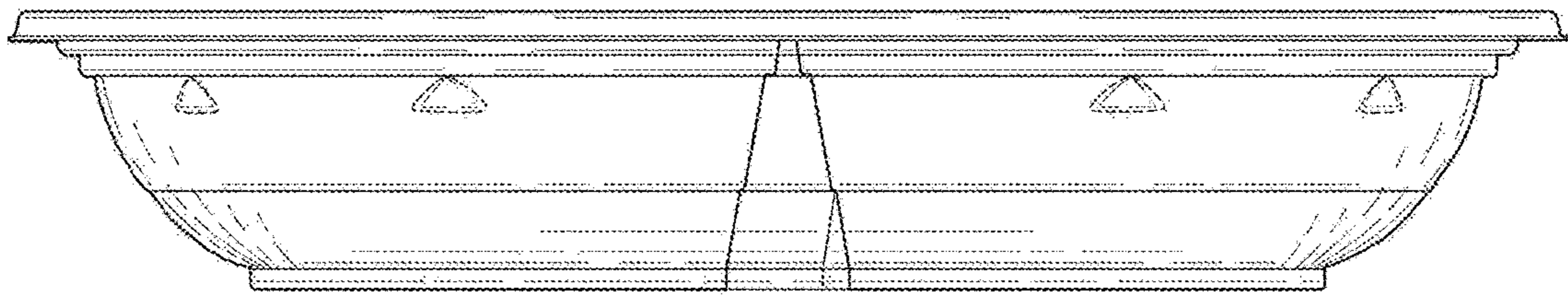


FIG. 22

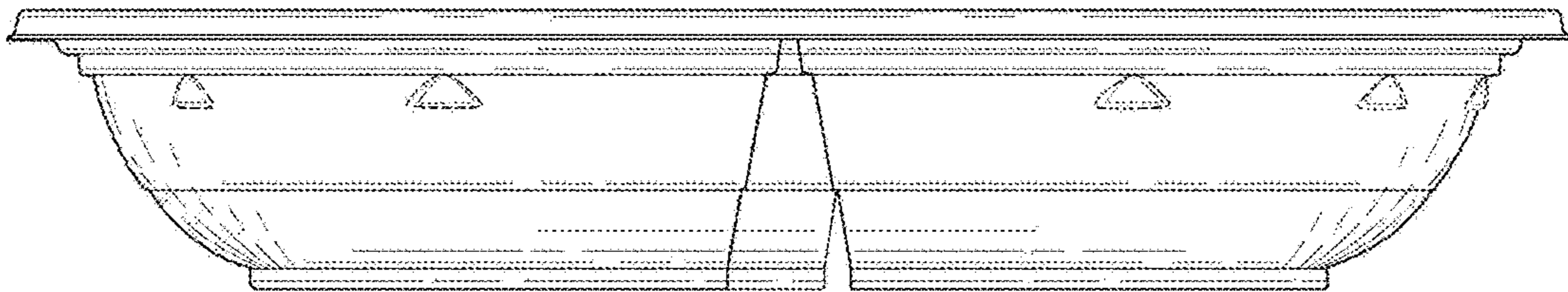


FIG. 23

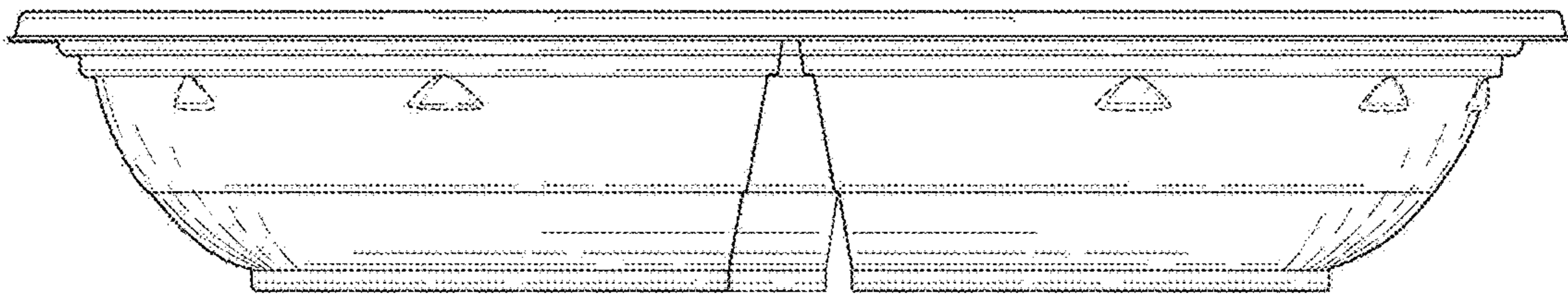


FIG. 24

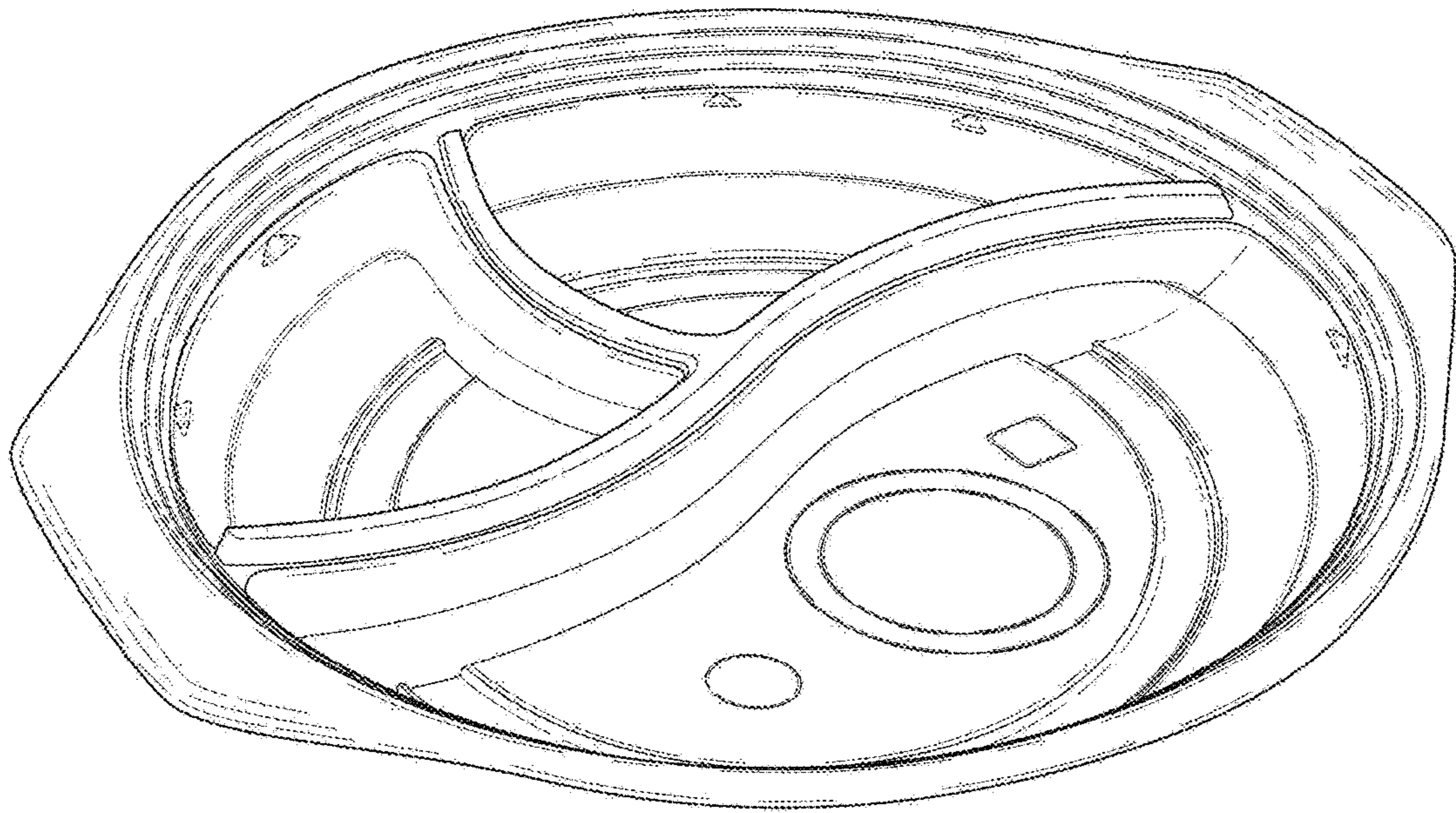


FIG. 25

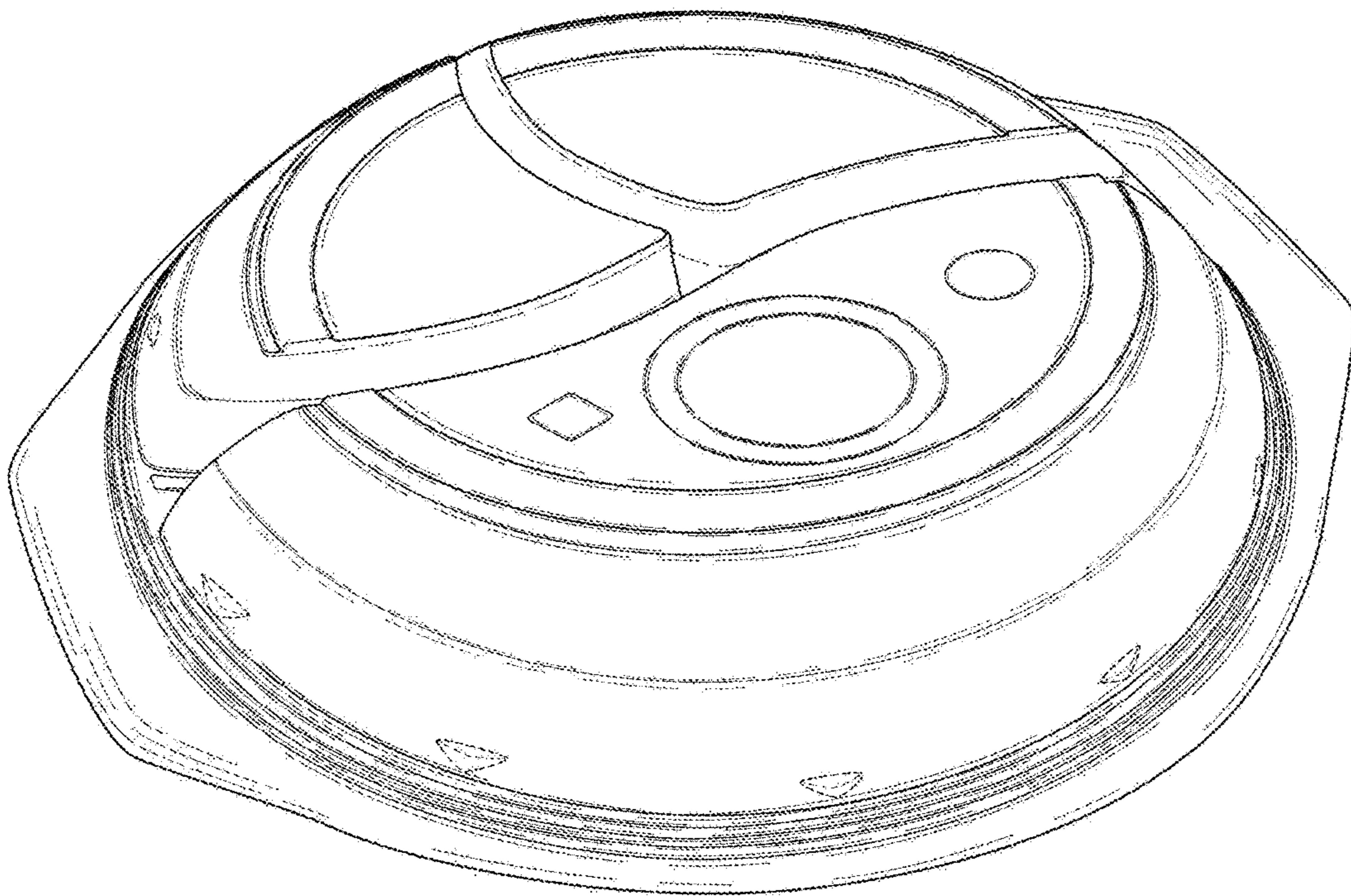


FIG. 26

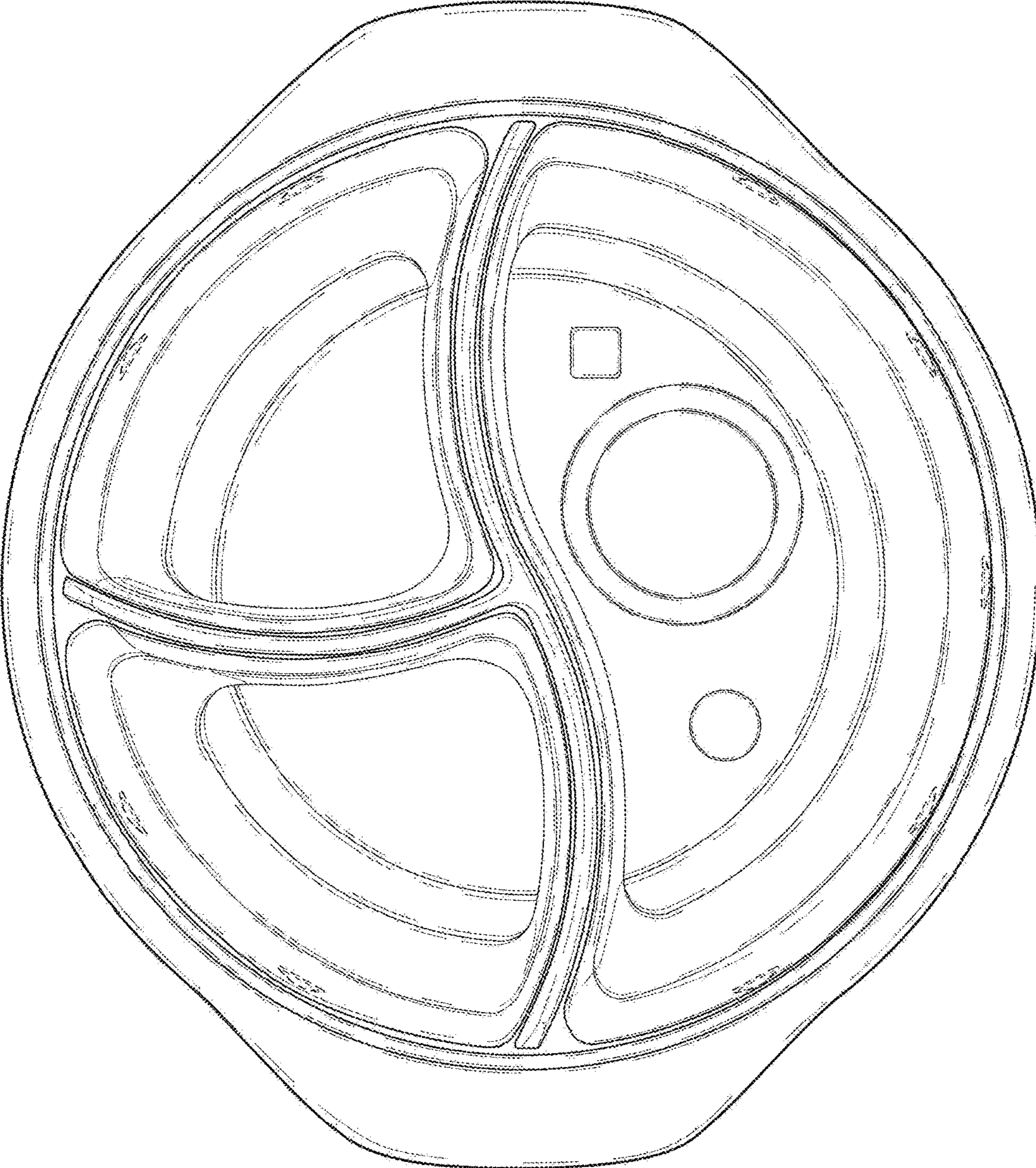


FIG. 27

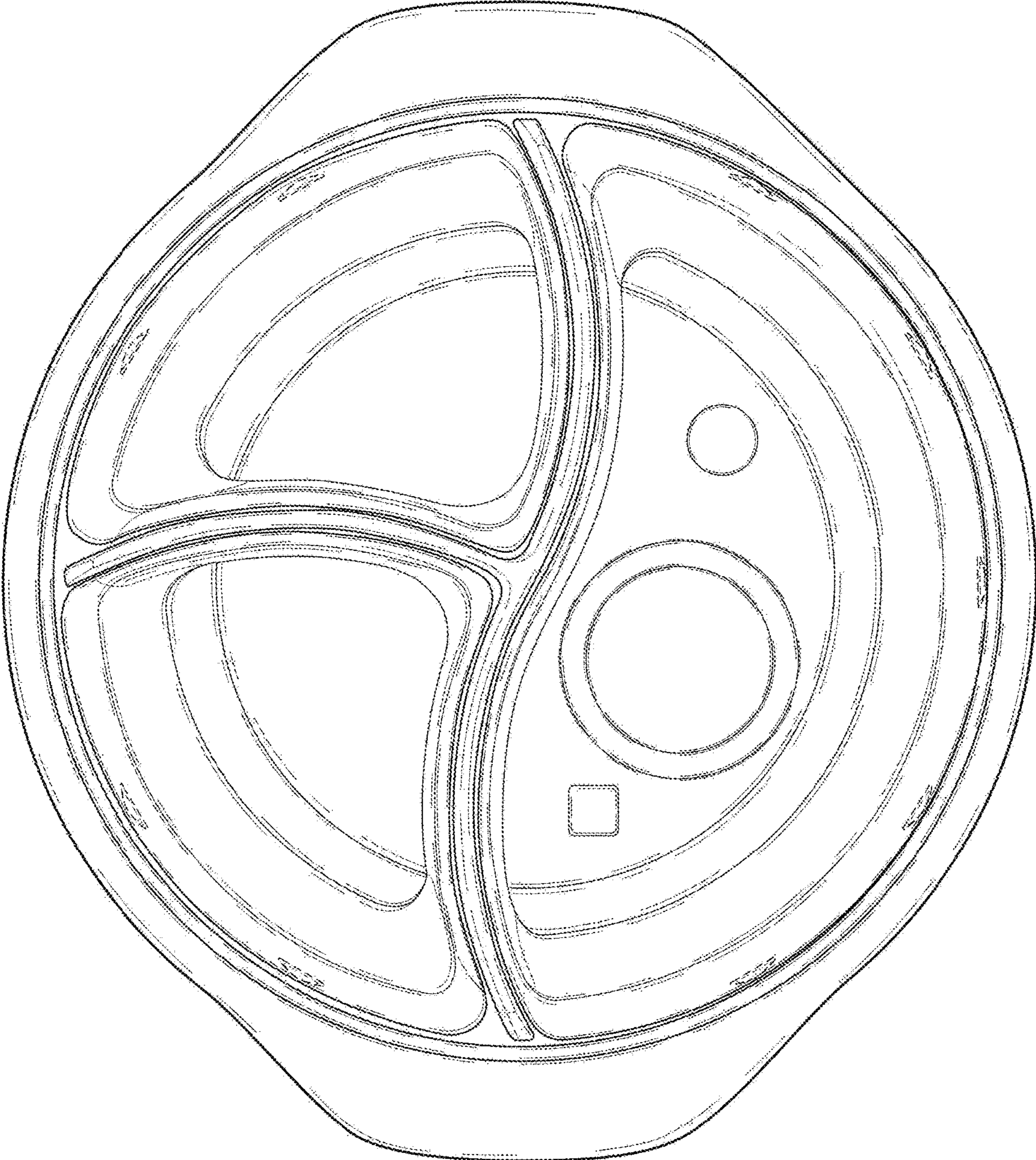


FIG. 28

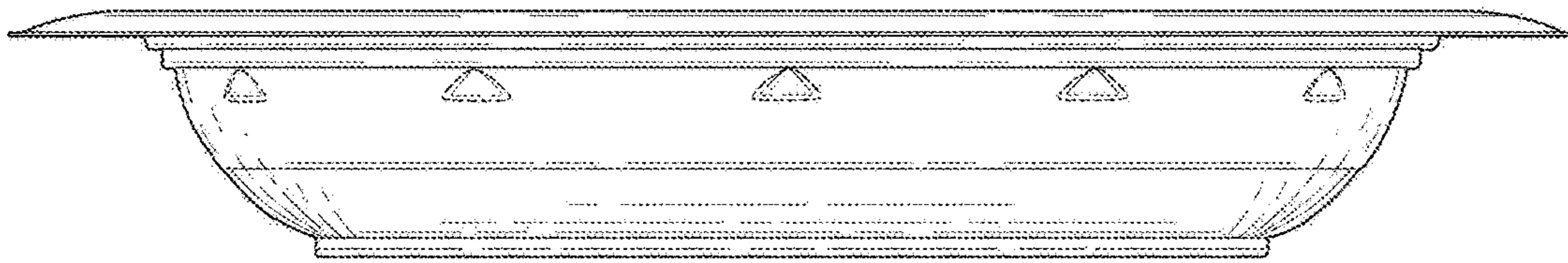


FIG. 29

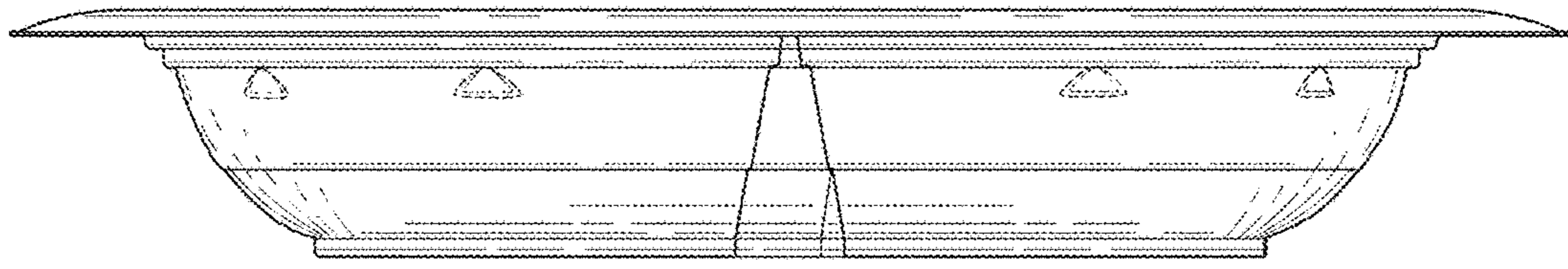


FIG. 30

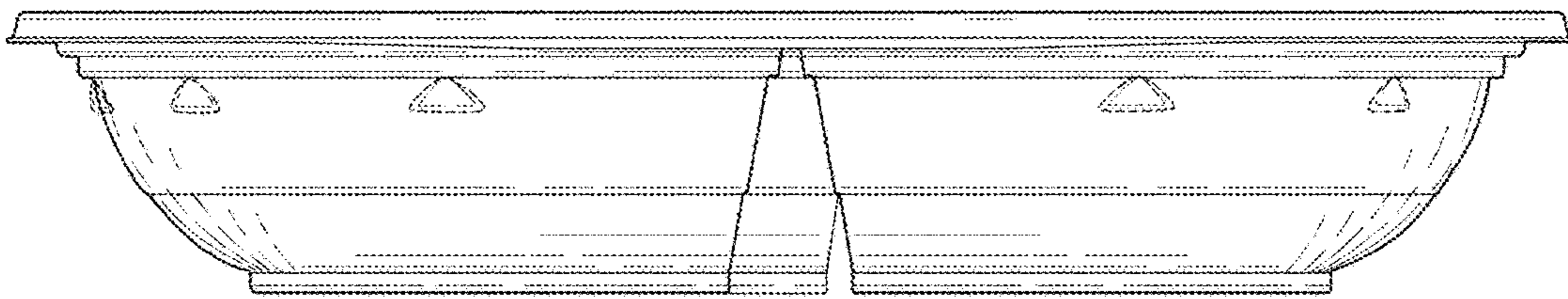


FIG. 31

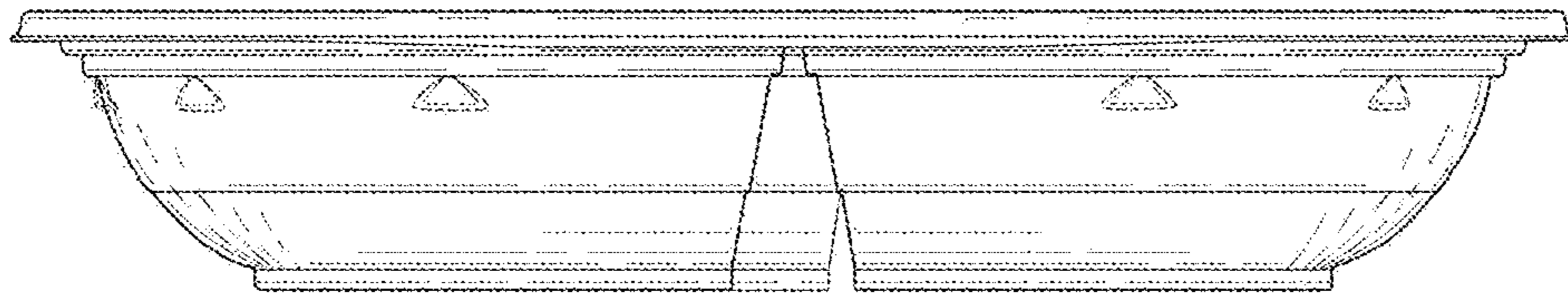


FIG. 32