



US00D801121S

(12) **United States Design Patent** (10) **Patent No.:** **US D801,121 S**
Kerr et al. (45) **Date of Patent:** **** Oct. 31, 2017**

(54) **DISH**
(71) Applicants: **Peter Kerr**, Seattle, WA (US); **Yang Tianle**, Zhongshan (CN); **Zeng Yibao**, Zhongshan (CN)
(72) Inventors: **Peter Kerr**, Seattle, WA (US); **Yang Tianle**, Zhongshan (CN); **Zeng Yibao**, Zhongshan (CN)
(**) Term: **15 Years**
(21) Appl. No.: **29/603,453**
(22) Filed: **May 10, 2017**
(51) **LOC (10) Cl.** **07-01**
(52) **U.S. Cl.**
USPC **D7/554.2**
(58) **Field of Classification Search**
USPC D7/550.1, 553.6, 553.7, 554.2, 554.4;
D6/672, 677; D9/755, 761
CPC B65D 1/00; B65D 1/34; B65D 21/0209;
A47G 19/02; A47G 23/0608
See application file for complete search history.

D404,257 S 1/1999 Indekeu
D404,258 S 1/1999 Indekeu
D404,614 S 1/1999 Indekeu
D409,448 S 5/1999 Hudson, Jr. et al.
D415,391 S 10/1999 Henry
D415,932 S 11/1999 Cornelissen
D416,445 S 11/1999 Henry
6,021,914 A 2/2000 Schmidt
D424,757 S * 5/2000 Cooper D30/129
D431,421 S 10/2000 Liu
6,199,715 B1 3/2001 Hayes et al.
D444,676 S 7/2001 Murphy
D459,841 S * 7/2002 Ross D30/129
D465,884 S * 11/2002 Ross D30/129
D472,021 S * 3/2003 Northrop D30/129
D494,817 S 8/2004 Rutter
D495,562 S 9/2004 Lee
D496,829 S 10/2004 Guzzini
D497,774 S 11/2004 Smith
D498,980 S 11/2004 Smith
D499,936 S 12/2004 Wiedmeyer
(Continued)

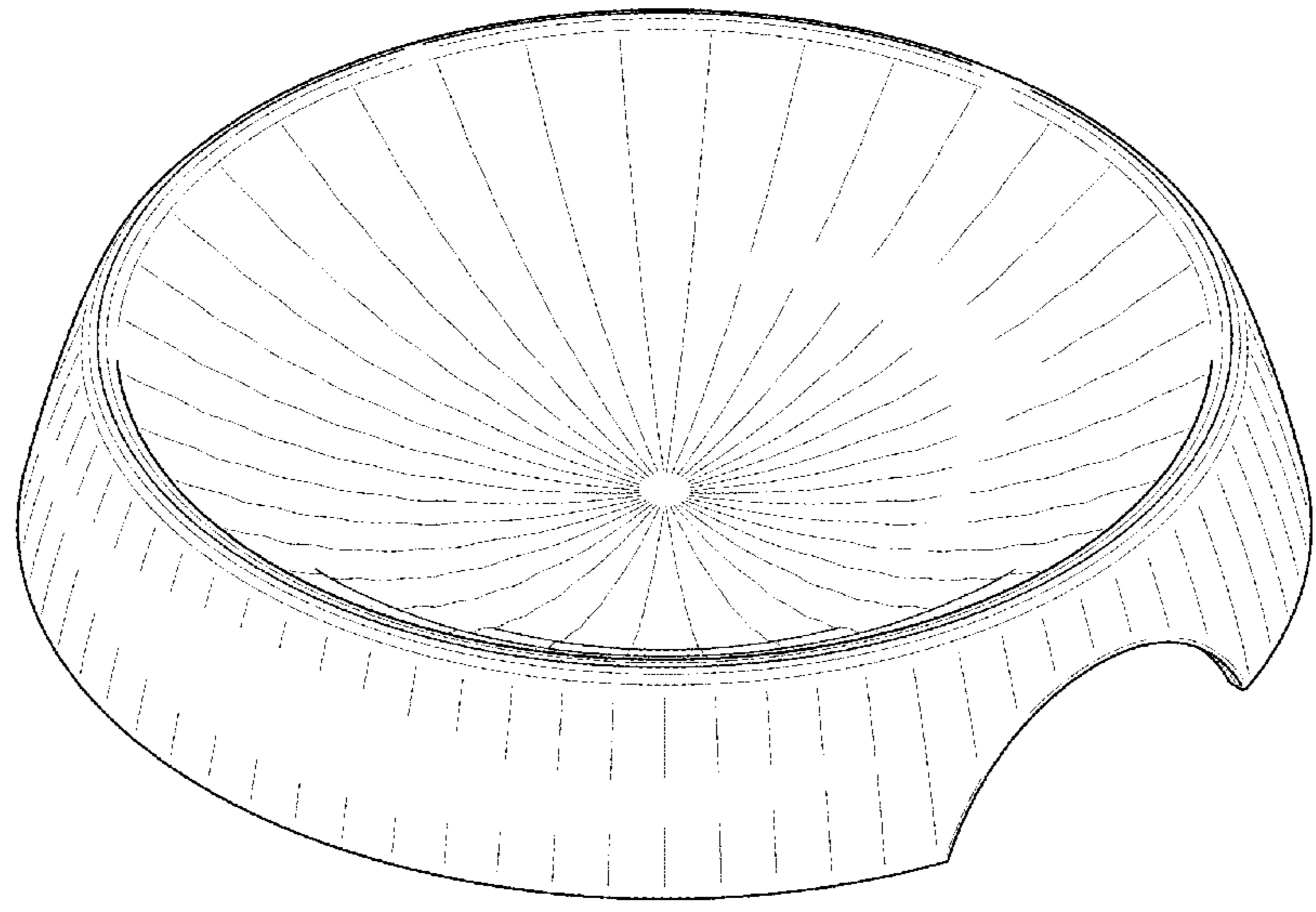
Primary Examiner — Kelley Donnelly
(74) *Attorney, Agent, or Firm* — Michael J. Feigin, Esq.;
Feigin & Fridman

(57) **CLAIM**
The ornamental design for a dish, as shown and described.

(56) **References Cited**
U.S. PATENT DOCUMENTS
D279,067 S 6/1985 Kuster
D304,658 S 11/1989 Mattei
5,085,391 A 2/1992 Berger et al.
D335,795 S 5/1993 Conti
D352,139 S * 11/1994 King D30/130
5,429,231 A 7/1995 McSpadden
D362,787 S 10/1995 Burke
D367,587 S 3/1996 Perlmutter et al.
D373,052 S 8/1996 Di Biase
D376,295 S 12/1996 Ahern, Jr. et al.
D381,472 S 7/1997 Catalano et al.
D384,554 S 10/1997 Ancona et al.
D386,358 S 11/1997 Pfeilsticker

DESCRIPTION
FIG. 1 shows a top and side perspective view of a tray.
FIG. 2 shows a bottom and side perspective view thereof.
FIG. 3 shows a top plan view thereof.
FIG. 4 shows a bottom plan view thereof.
FIG. 5 shows a first side view thereof, the other long side being a mirror image thereof.
FIG. 6 shows a second side view thereof, the other short side being a mirror image thereof; and,
FIG. 7 shows a cross section of section line 7-7 of FIG. 3.

1 Claim, 5 Drawing Sheets



(56)

References Cited

U.S. PATENT DOCUMENTS

D504,196	S *	4/2005	Huthmaker	D30/129
D504,279	S	4/2005	Molina	
D504,282	S	4/2005	McMullin	
D508,823	S	8/2005	Vendl	
D508,824	S	8/2005	Vendl	
D522,808	S	6/2006	Czebiniak	
D523,185	S	6/2006	Oliphant	
D526,163	S	8/2006	Hayes et al.	
D533,031	S	12/2006	Hayes et al.	
D545,127	S	6/2007	Fife	
D547,119	S	7/2007	Robinson	
D552,934	S	10/2007	Dulaney	
D596,464	S	7/2009	Holcomb et al.	
D618,511	S	6/2010	Lugacy	
D623,019	S	9/2010	Wildman	
D636,945	S *	4/2011	Anderson	D30/129
D653,072	S *	1/2012	Schneider	D7/354
D655,054	S *	2/2012	Lipscomb	A01K 5/0114
				D30/129
D657,187	S *	4/2012	Schneider	D7/354
D703,393	S *	4/2014	Henley	D30/129
D738,165	S *	9/2015	Liu	D7/586
D738,720	S *	9/2015	Yang	D9/428
D748,946	S *	2/2016	Wirth, Jr.	D7/584
D749,366	S *	2/2016	Wirth, Jr.	D7/584
D755,017	S	5/2016	Piechocinski	
D756,042	S *	5/2016	Kulesus	D30/129

* cited by examiner

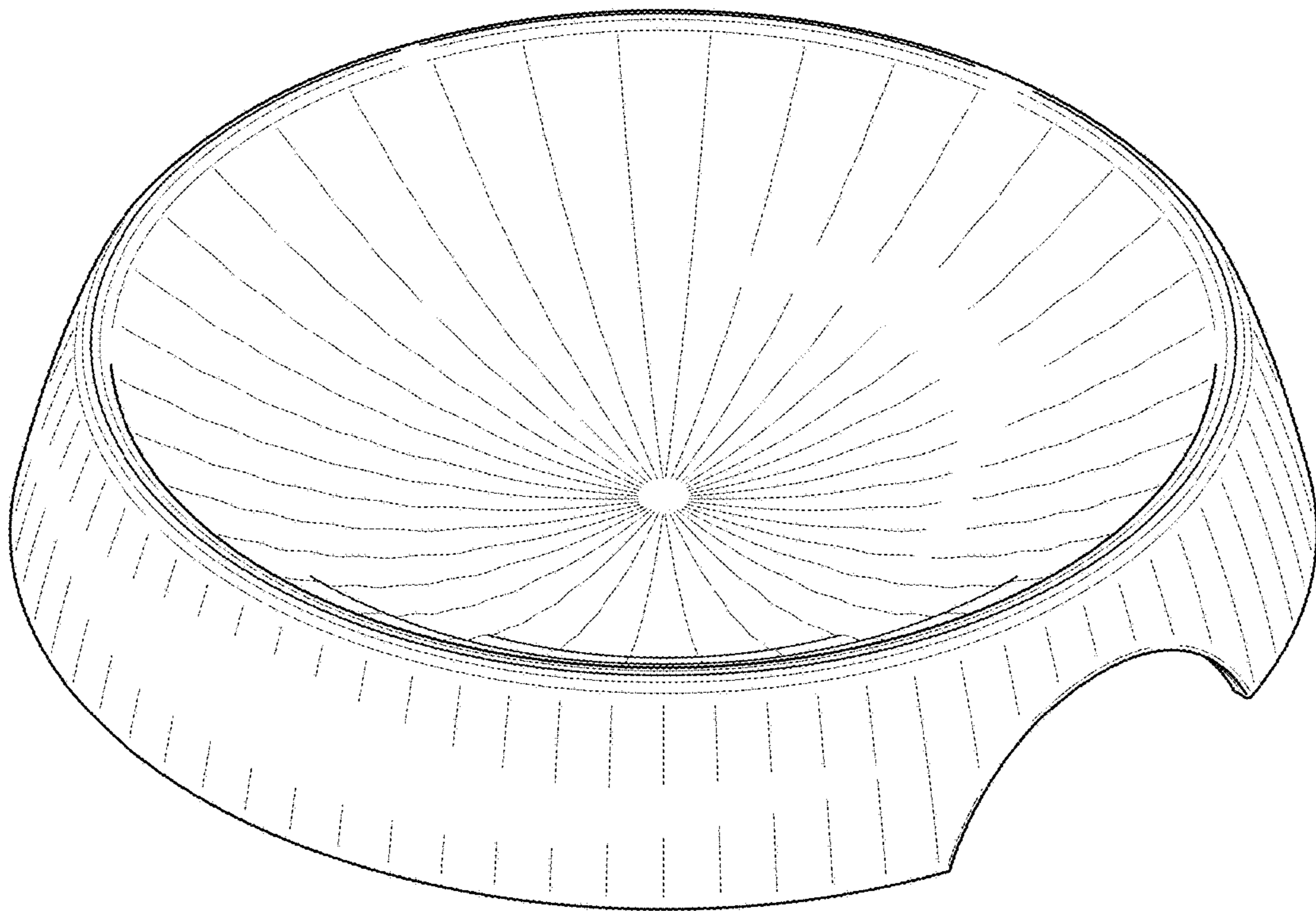


FIG. 1

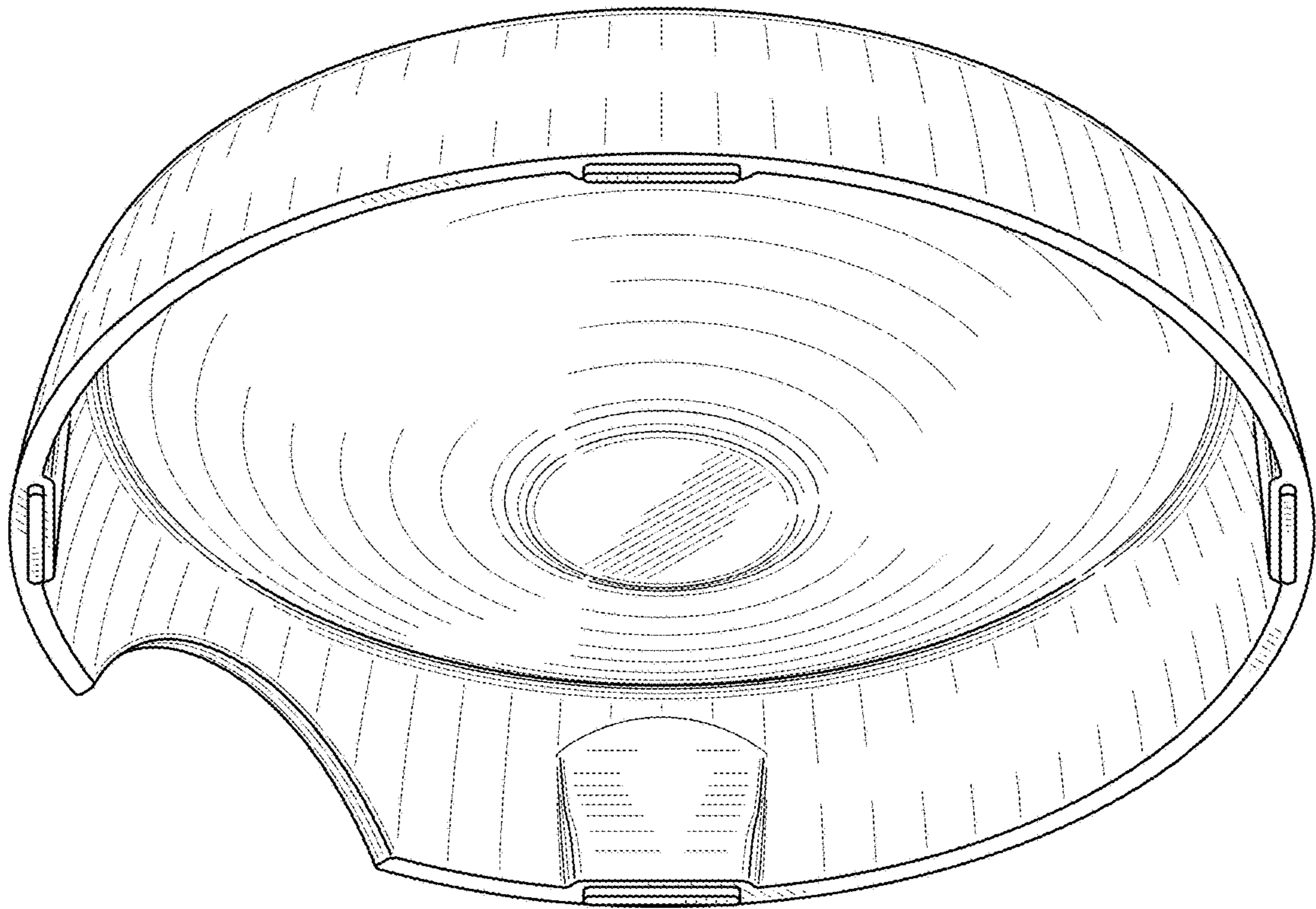


FIG. 2

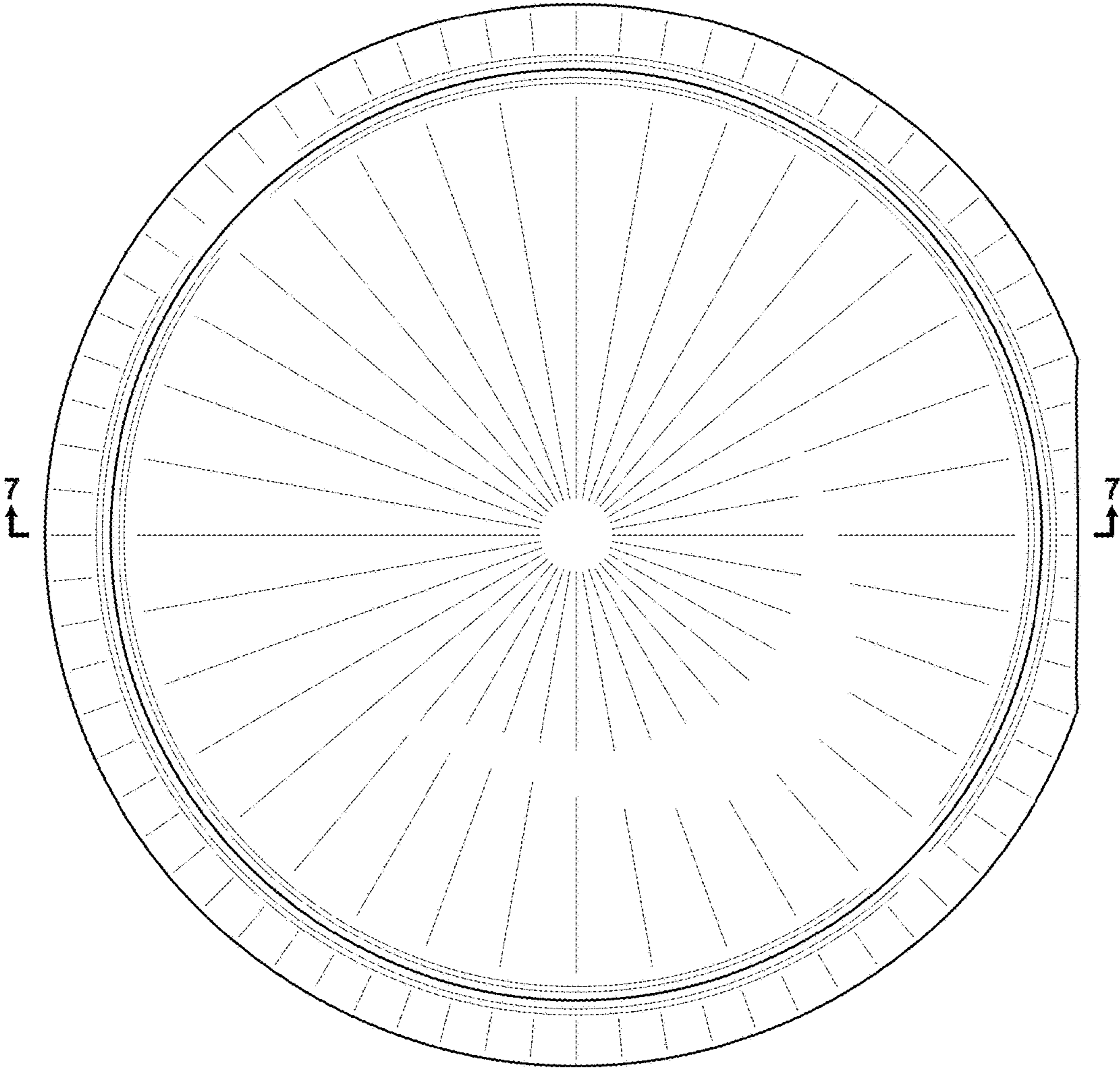


FIG. 3

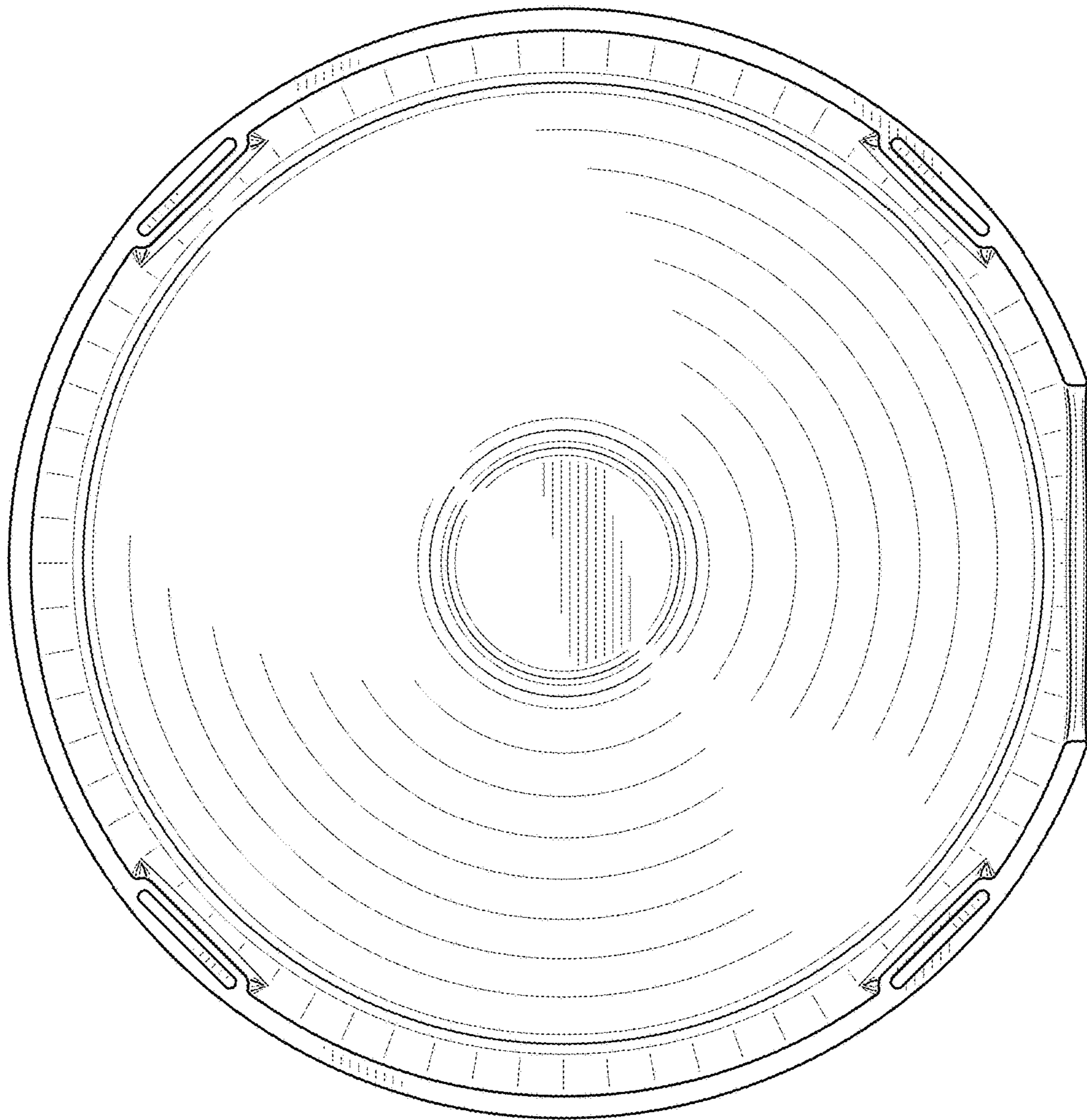


FIG. 4

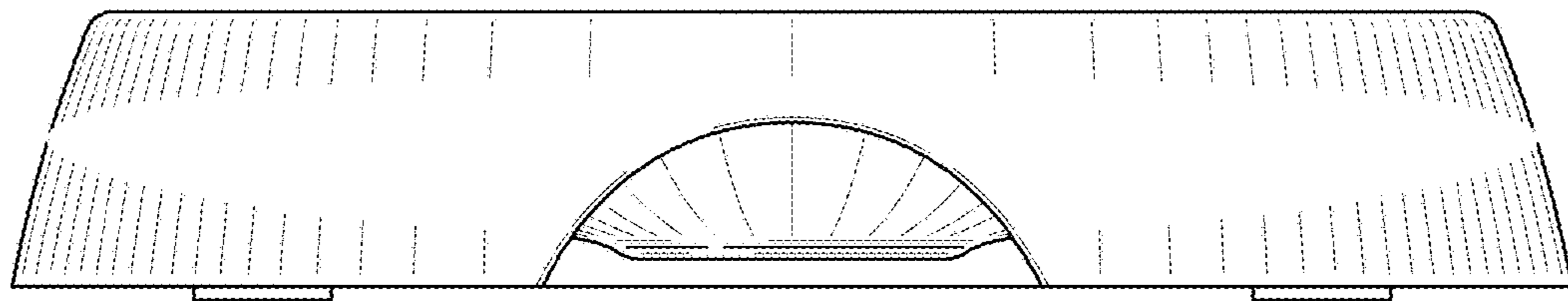


FIG. 5

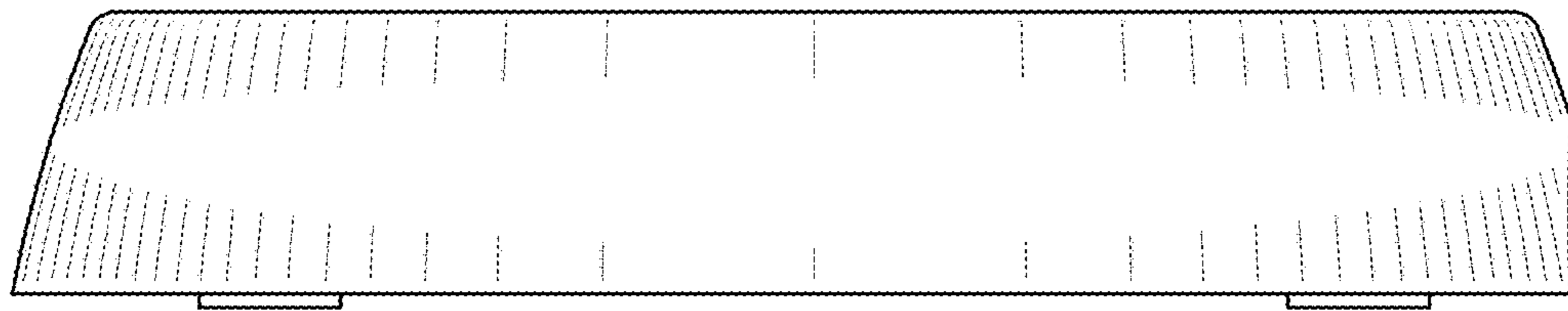


FIG. 6

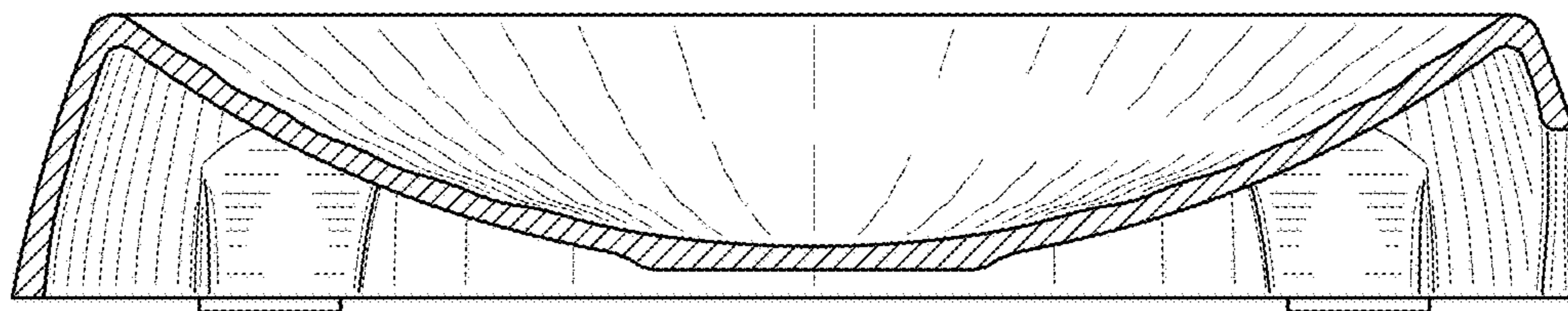


FIG. 7