



US00D801120S

(12) **United States Design Patent** (10) **Patent No.:** **US D801,120 S**
Zeien (45) **Date of Patent:** **** Oct. 31, 2017**

(54) **FOOD TRAY WITH AN INTEGRAL CUP HOLDER**

(71) Applicant: **Michael Zeien**, Moneta, VA (US)

(72) Inventor: **Michael Zeien**, Moneta, VA (US)

(**) Term: **15 Years**

(21) Appl. No.: **29/571,072**

(22) Filed: **Jul. 14, 2016**

(51) **LOC (10) Cl.** **07-01**

(52) **U.S. Cl.**
USPC **D7/554.2**

(58) **Field of Classification Search**
USPC D7/500, 505, 550.1, 553.1, 553.6, 554.2;
D3/304
CPC A47G 19/00; A47G 19/02; A47G 19/06;
A47G 23/06; A47G 23/0641; B65D 1/34
See application file for complete search history.

(56) **References Cited**

U.S. PATENT DOCUMENTS

D145,764 S *	10/1946	Zelov	206/564
D270,506 S *	9/1983	Thorne	D6/406.2
4,744,597 A *	5/1988	Bauman	A47G 19/06 206/217
D308,461 S	6/1990	Hosea	
D322,197 S *	12/1991	Sherlin	D7/549
D338,374 S *	8/1993	Jacobson	D7/507
D357,370 S *	4/1995	Watts	D6/406.5
5,419,455 A *	5/1995	Russeau	A47G 19/06 206/562
D363,857 S *	11/1995	Sussman	D6/406.6
D366,598 S *	1/1996	Geddes	D7/549
5,497,885 A *	3/1996	Sussman	A47G 23/0608 206/217
D388,661 S *	1/1998	Vignau	D7/549
D399,095 S *	10/1998	Schmidt	D7/553.2
D433,283 S *	11/2000	Thomas	D7/546

D442,830 S *	5/2001	Raucci	D7/553.5
D453,891 S *	2/2002	Sussman	D7/553.1
6,651,836 B1	11/2003	Hofheins et al.	
D508,373 S *	8/2005	Corrieri	D7/553.6
D547,126 S *	7/2007	Levine	D7/549
D572,536 S *	7/2008	Cox	D7/507
D575,988 S *	9/2008	McComas	D7/543
D620,761 S *	8/2010	Boudreau	D7/549
D664,398 S *	7/2012	Zemel	D7/553.1
D712,204 S *	9/2014	Hatcher	D7/553.5
D728,941 S *	5/2015	Stoeckmann	D3/313
9,060,628 B2	6/2015	Evans	
D749,908 S *	2/2016	Cai	D7/543
D749,909 S *	2/2016	Piccinini	D7/587
D750,441 S *	3/2016	Hartmann	D7/553.5
D774,360 S *	12/2016	Piccinini	D7/554.2
D783,284 S *	4/2017	Hecht	D3/304
D783,285 S *	4/2017	Hecht	D3/304
2017/0086603 A1 *	3/2017	Sortino	A47G 23/0641

* cited by examiner

Primary Examiner — Kelley Donnelly

(74) *Attorney, Agent, or Firm* — Stevenson IP, LLC

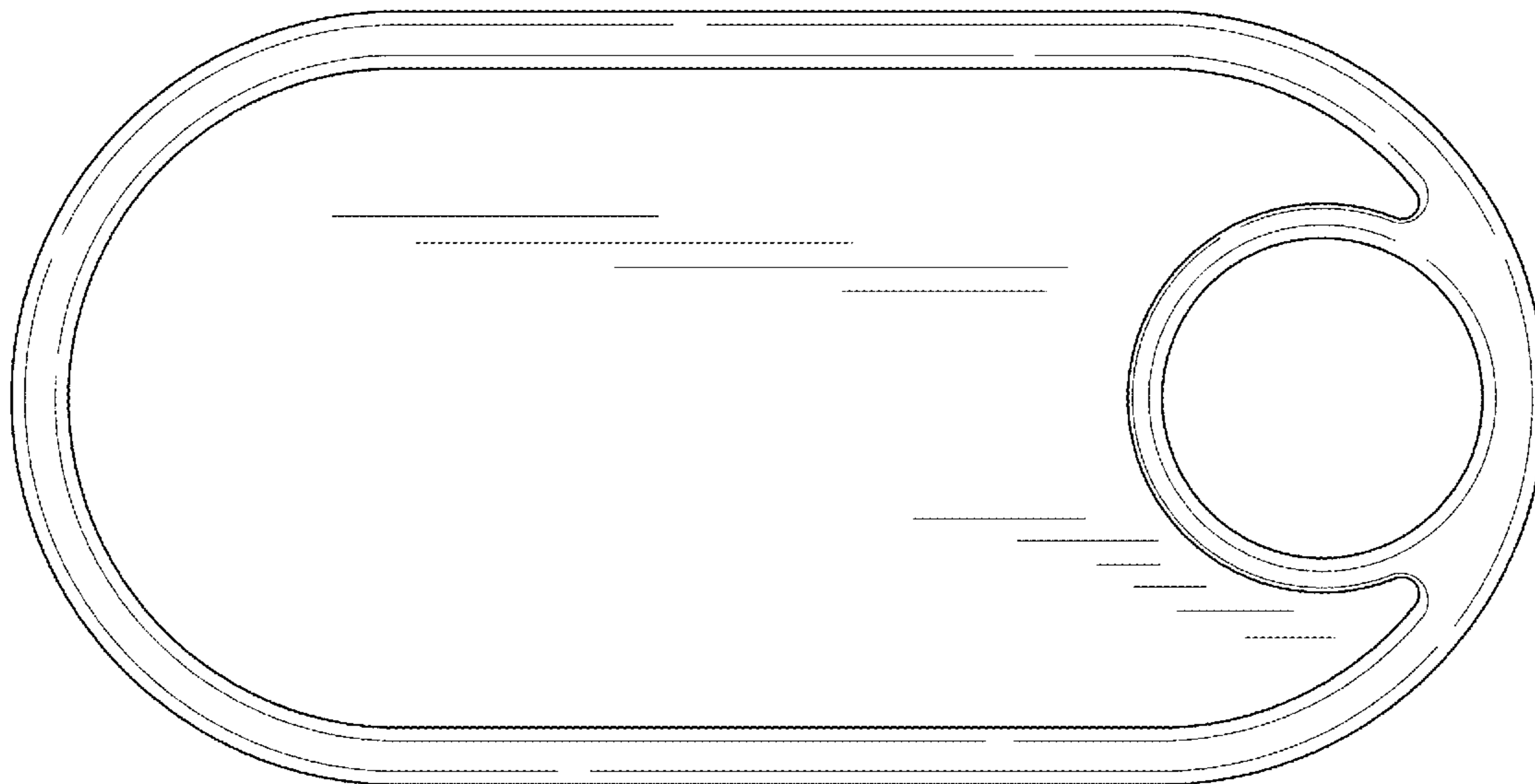
(57) **CLAIM**

The ornamental design for a food tray with an integral cup holder, as shown and described.

DESCRIPTION

FIG. 1 is a top plan view of a food tray with an integral cup holder showing my new design; FIG. 2 is a bottom plan view thereof; FIG. 3 is a right side elevation view thereof, the opposite side being a mirror image of the shown; FIG. 4 is a front elevation view thereof, the opposite side being a mirror image of the shown; and, FIG. 5 is an isometric view thereof. The broken lines in FIG. 5 of the drawings depict a free-standing table attached to a stanchion as environmental subject matter only and form no part of the claimed design.

1 Claim, 4 Drawing Sheets



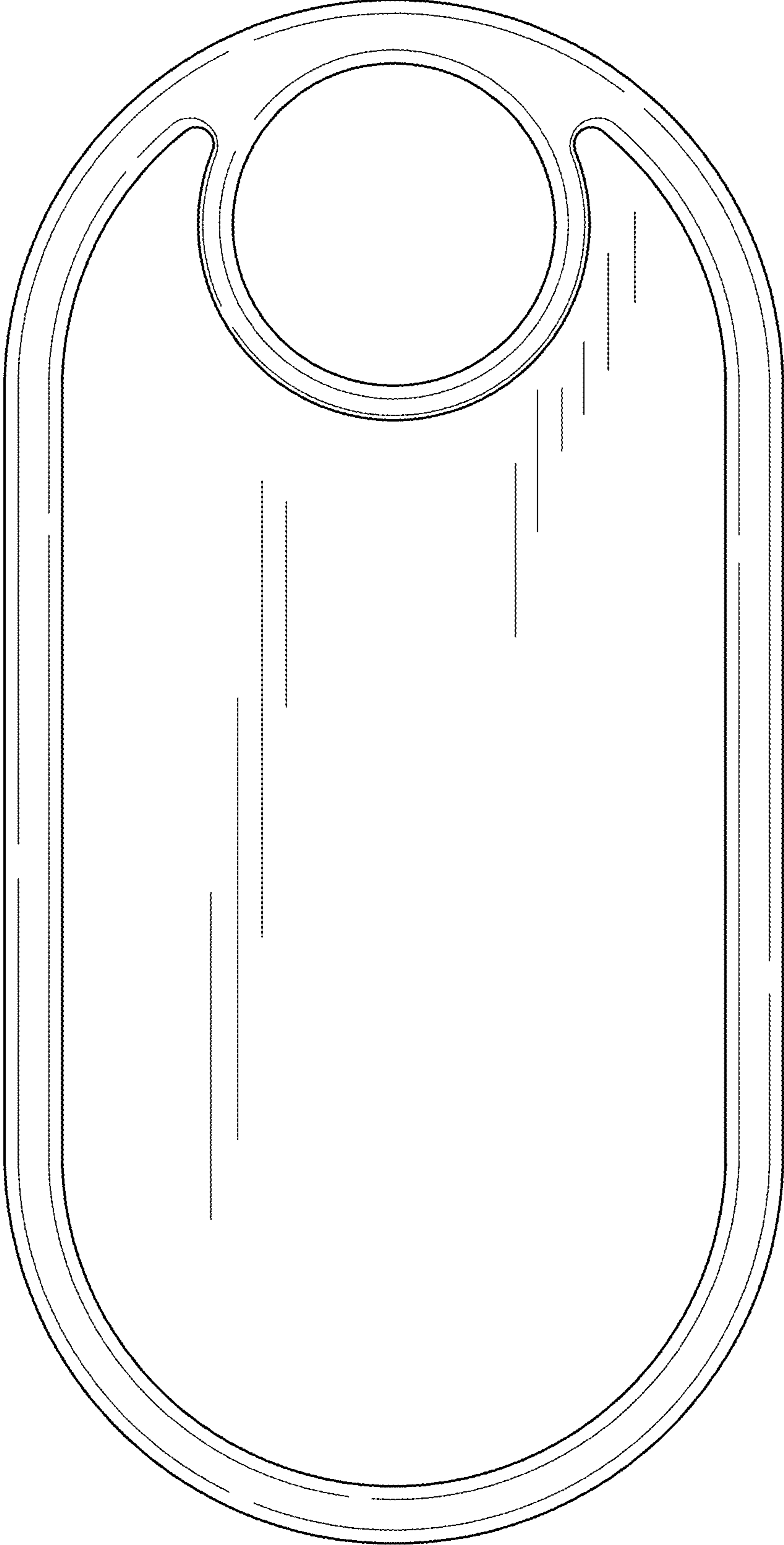


FIG. 1

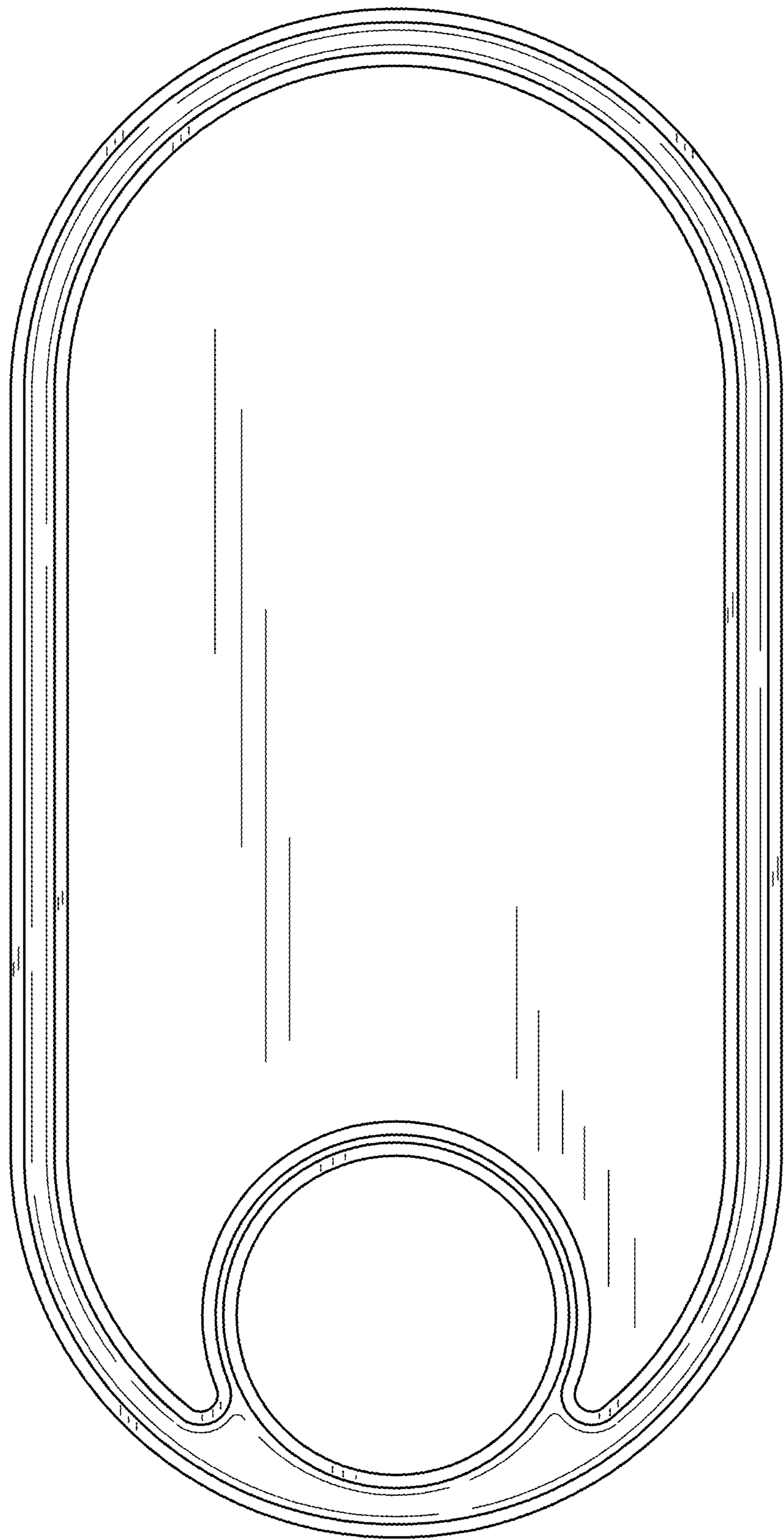


FIG. 2



FIG. 3

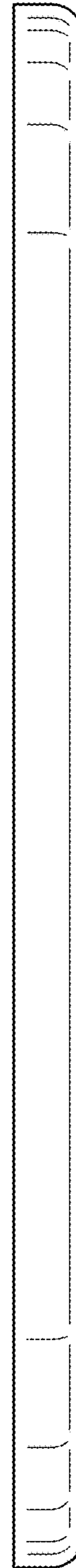


FIG. 4

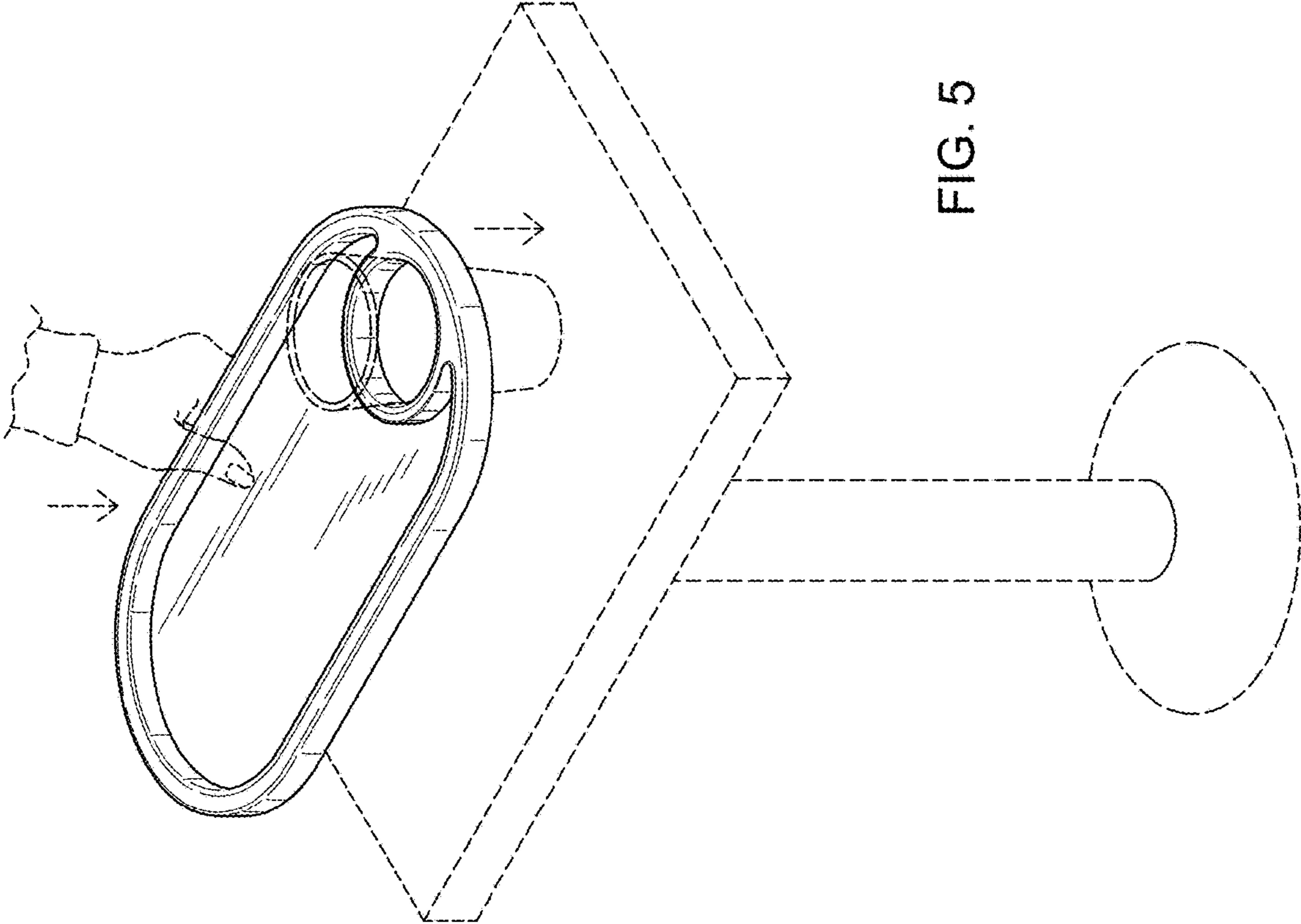


FIG. 5